

Beech<sup>®</sup>  
Model 2000

# LIBRARY of MANUALS

- ➔ ..... MAINTENANCE
- ➔ ..... ILLUSTRATED PARTS
- ➔ ..... PRINTED CIRCUIT BOARD
- ➔ ..... STRUCTURAL REPAIR
- ➔ ... WIRING DIAGRAM

P/N 122-590013-13B

Volume 1 of 1

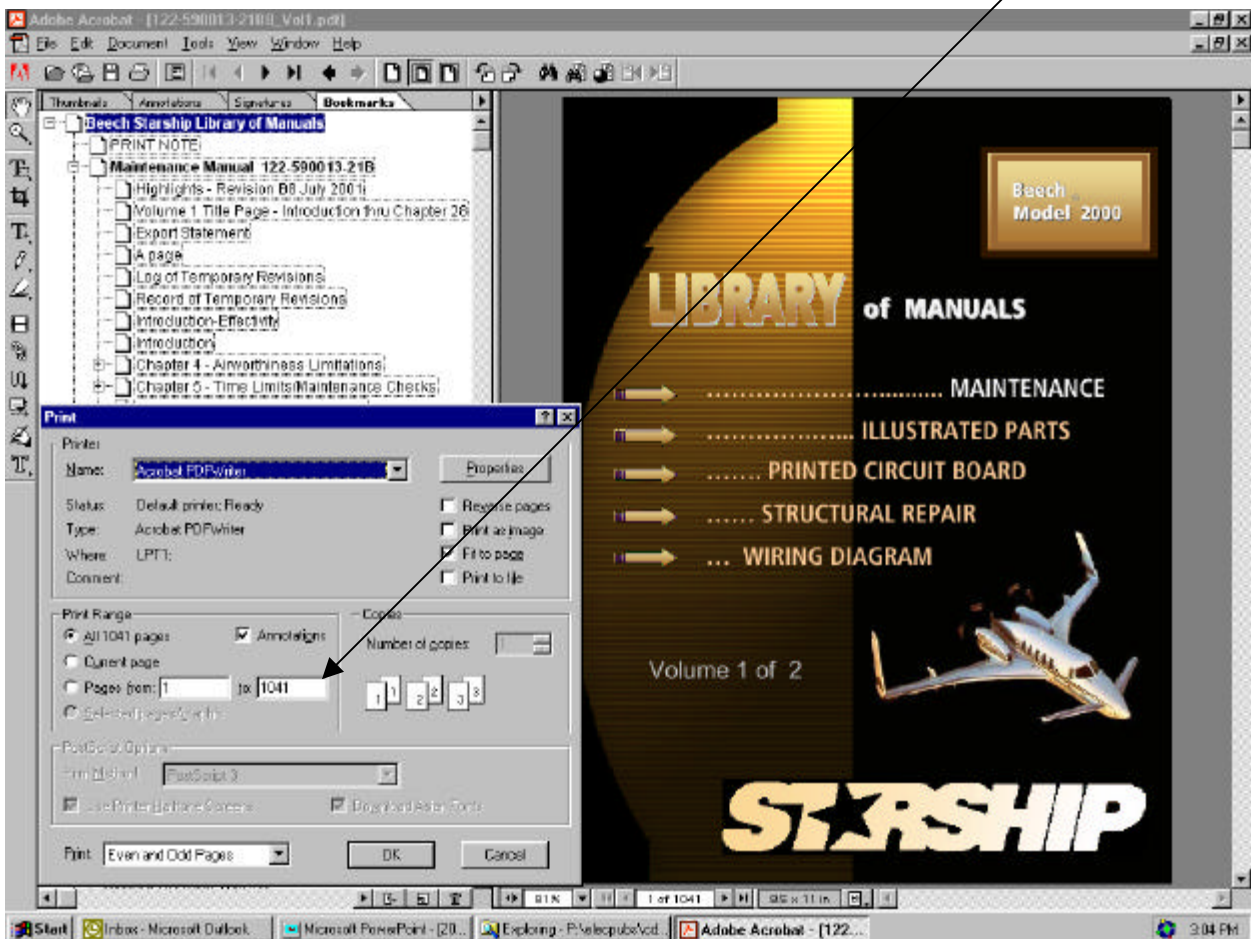


# STARSHIP

## NOTE: PRINTING

The default on most print commands from Adobe Reader is ALL - the entire CD in this case.

When wanting to print a specific page and/or section you must choose current page or pages and input page range.



**Beechcraft**®

**STARSHIP 1**®

**Model 2000**

**NC-4 and after**

# **Wiring Diagram Manual**

COPYRIGHT © BEECH 1994

Published By  
Commercial Publications  
**BEECH AIRCRAFT CORPORATION**  
Wichita, Kansas 67201  
U.S.A.

Beechcraft  
**STARSHIP 1**  
**WIRING DIAGRAM MANUAL**

**LIST OF EFFECTIVE REVISIONS**

Always destroy superseded pages when you insert revised pages

Title Page ..... February 25, 1994  
 Logo Page .....  
 "A" Page ..... B

PART NUMBER	DATE	CHAPTERS AFFECTED
122-590013-13	March 6, 1990	Original
122-590013-13A1	August 21, 1992	30
122-590013-13B	February 25, 1994	Reissue

**NOTE:** A list of effective pages will be found in the front of each chapter.

**B**

Basic publications are assigned a part number which appears on the title page with the date of the issue. Subsequent revisions are identified by the addition of a revision code after the part number. A1 after a part number denotes the first revision to the basic publication, A2 the second, etc. Occasionally, it is necessary to completely reissue and reprint a publication for the purpose of obsoleting a previous issue and all outstanding revisions thereto. As these replacement reissues are made, the code will also change to the next successive letter of the alphabet at each issue. For example, B for the first reissue, C for the second reissue, etc.

When ordering a handbook, give the basic number, and the reissue code when applicable, if a complete up-to-date publication is desired. Should only revision pages be required, give the basic number and revision code for the particular set of revision pages you desire.



**Beechcraft**  
**STARSHIP 1**  
**WIRING DIAGRAM MANUAL**

INTRODUCTION

LIST OF PAGE EFFECTIVITY

CHAPTER SECTION SUBJECT	PAGE	DATE
Introduction-Effectivity	1	Feb 25/94
Introduction	1	Feb 25/94
	2	Feb 25/94
	3	Feb 25/94
	4	Feb 25/94
	5	Feb 25/94
	6	Feb 25/94
	7	Feb 25/94
	8	Feb 25/94
	9	Feb 25/94
	10	Feb 25/94
	11	Feb 25/94
	12	Feb 25/94
	13	Feb 25/94
	14	Feb 25/94
	15	Feb 25/94
	16	Feb 25/94
	17	Feb 25/94
	18	Feb 25/94

**Beechcraft**  
**STARSHIP 1**  
**WIRING DIAGRAM MANUAL**

## INTRODUCTION

### NOTE

Service Publication reissues or revisions are not automatically provided to the holders of this manual. For information on how to obtain reissues or revisions applicable to this manual, refer to the latest revision of BEECHCRAFT Service Bulletin No. 2001.

**WARNING**

***Use only genuine BEECHCRAFT or BEECHCRAFT approved parts obtained from BEECHCRAFT approved sources, in connection with the maintenance and repair of Beech airplanes.***

***Genuine BEECHCRAFT parts are produced and inspected under rigorous procedures to insure airworthiness and suitability for use in Beech airplane applications. Parts purchased from sources other than BEECHCRAFT, even though outwardly identical in appearance, may not have had the required tests and inspections performed, may be different in fabrication techniques and materials, and may be dangerous when installed in an airplane.***

***Salvaged airplane parts, reworked parts obtained from non-BEECHCRAFT approved sources, or parts, components, or structural assemblies, the service history of which is unknown or cannot be authenticated, may have been subjected to unacceptable stresses or temperatures or have other hidden damage, not discernible through routine visual or usual nondestructive testing techniques. This may render the part, component or structural assembly, even though originally manufactured by BEECHCRAFT, unsuitable and unsafe for airplane use.***

***BEECHCRAFT expressly disclaims any responsibility for malfunctions, failures, damage or injury caused by use of non-BEECHCRAFT approved parts.***

### NOTE

It shall be the responsibility of the owner/operator to ensure that the latest revisions of publications referenced in this handbook are utilized during operation, servicing, and maintenance of the airplane.

This Wiring Diagram Manual is prepared in accordance with the GAMA (General Aviation Manufacturers Association) Specification No. 2. It also meets the intent of the ATA (Air Transport Association of America) with respect to the arrangement and content of the system/chapters within the designated chapter numbering system.

This Wiring Diagram Manual is supplemented by the following publications:

- BEECHCRAFT Starship 1 Maintenance Manual, P/N 122-590013-21;
- BEECHCRAFT Starship 1 Component Maintenance Manual, P/N 122-590013-9;
- BEECHCRAFT Starship 1 Illustrated Parts Catalog, P/N 122-590013-11.

### NOTE

Beech Aircraft Corporation expressly reserves the right to supersede, cancel and/or declare obsolete any part, part numbers, kits or publication that may be referenced in this manual without prior notice.

### CORRESPONDENCE

If a question should arise concerning the care of your airplane, it is important to include the airplane serial number in any correspondence. The serial number appears on the model designation placard on the underside of the aft fuselage just forward of the ventral stabilizer.

### ASSIGNMENT OF SUBJECT MATERIAL

The content of this publication is organized at four levels: Group, System/Chapter, Sub-System/Section, and Unit/Subject.



# Beechcraft STARSHIP 1 WIRING DIAGRAM MANUAL

**Group** - Identified by different colored divider tabs. These are primary divisions of the manual that enable broad separation of content. Typical of this division is the separation between Airframe Systems and the Propeller.

**System/Chapter** - The various groups are broken down into major systems such as Environmental Systems, Electrical Power, Landing Gear, etc. The systems are arranged more or less alphabetically rather than by precedence or importance. They are assigned a number, which becomes the first element of a standardized numbering system. Thus the element "28" of the number 28-00-00 refers to the chapter "Fuel". Everything concerning the fuel system will be covered in this chapter.

**Sub-System/Section** - The major systems of an airplane are broken down into sub-systems. These sub-systems are identified by the second element of a standard numbering system. The number "40" of the number 28-40-00 is for the indicating portion of the fuel system.

**Unit/Subject** - The individual units within a sub-system may be identified by the third element of the standard numbering system, such as 28-40-01. This number is assigned by the manufacturer and may, or may not be used.

## APPLICATION

Any publication conforming to the GAMA format will use the same basic numbering system. Thus whether the publication is a Maintenance Manual, or a Wiring Diagram Manual, the person wishing information concerning the indicating portion of the fuel system, would refer to the System/ Chapter Tab "28 FUEL". The Table of Contents in the front of this chapter will provide a list of sub-systems covered in this chapter.

For example:

<b>28-00</b>	General
<b>28-10</b>	Storage (Tanks, cells, necks, caps, instruments, etc.)
<b>28-20</b>	Distribution (Fuel lines, pumps, valves, controls, etc.)
<b>28-30</b>	Dump (If in-flight dumping system is installed, it would appear here.)
<b>28-40</b>	Indicating (Quantity, temperature, pressure, etc., does not include engine fuel flow or pressure.)

The material is arranged within the chapter in ascending numerical sequence. The Chapter-System Subject number and page number are found at the lower outside corner of each page.

## CHAPTERS NON-APPLICABLE TO THIS MANUAL

04, 05, 06, 07, 08, 09,10, 11, 12, 20, 22, 23, 29, 37, 49, 51, 52, 53, 54, 55, 56, 57, 60, 70, 71, 72, 75, 78, 81, 82, 83 and 95.

## CHAPTER SYSTEM INDEX GUIDE

The following is a GAMA spec No. 2 Chapter System Index Guide to be used with this wiring diagram.

<b>System Chapter</b>	<b>Sub-System Section</b>
21- Environmental Systems	21-00-00
24- Electrical Power	24-00-00
25- Equipment/ Furnishings	25-00-00
26- Fire Protection	26-00-00
27- Flight Controls	27-00-00
28- Fuel	28-00-00
30- Ice & Rain Protection	30-00-00
31- Indicating/Recording Systems	31-00-00
32- Landing Gear	32-00-00
33- Lights	33-00-00
34- Navigation, Pitot and Static	34-00-00
35- Oxygen	35-00-00
36- Pneumatic	36-00-00
38- Water/Waste	38-00-00
61- Propellers	61-00-00
73- Engine Fuel & Control	72-00-00
74- Ignition	74-00-00
76- Engine Controls	76-00-00
77- Engine Indicating	77-00-00
79- Oil	79-00-00

**Beechcraft**  
**STARSHIP 1**  
**WIRING DIAGRAM MANUAL**

*(Continued)*

<b>System Chapter</b>	<b>Sub-System Section</b>
80- Starting	80-00-00
91- Charts	91-00-00

### ***EFFECTIVITY***

#### **LOG OF EFFECTIVE REVISIONS**

The List of Effective Revisions following the title page of the manual lists the revisions currently effective for the manual.

#### **LIST OF PAGES AND TABLE OF CONTENTS**

The List of Pages and Table of Contents following each Chapter Divider-Tab, lists the issue date of each page that is effective for that chapter, the titles and, if applicable, the effectivity of the circuits covered in that chapter.

#### **SERIALIZATION**

The effectivity of each wiring diagram and electrical component part, unless otherwise specified, is the same as the effectivity of the manual as given on the title page. If the effectivity of a wiring circuit is limited, the airplane serials for which the circuit is effective will be given in the List of Pages and Table of Contents for the chapter containing the diagram.

### ***RECORD OF REVISIONS***

A Record of Revisions is provided following the List of Effective Revisions ("A") page. When a revision is inserted, the revision number, the date the revision is inserted into the manual, and the initials of the person(s) inserting the revision should be recorded on this page.

### ***WIRING DIAGRAMS***

To facilitate locating components and tracing the circuitry of individual diagrams, each wire is identified by the wire code it bears in the airplane. The individual circuit components are identified by a reference designator and name adjacent to each item. The diagrams show the terminals, wire numbers, switches, etc, in a manner which will make the operation of each component easily understandable. The circuits are shown consistent with the position of switches and conditions noted on the diagrams. Symbols used in the wiring diagrams appear in Figure 3 in the introduction of this manual.

### ***OPTIONAL EQUIPMENT***

This manual does not in all cases differentiate between optional and standard equipment. In order to facilitate the installation of certain wire harnesses used to connect optional equipment, these harnesses will be installed in all airplanes. Wires will be dead ended in airplanes that do not require the equipment.

### ***EQUIPMENT LIST***

A listing of the component parts accompanies each wiring diagram to aid maintenance personnel in ordering spare replacements. The components are listed in the order of alpha-numeric sequence of the reference designators. Further, the airplane zone in which each component is installed is provided in the listing. Reference to the Aircraft Zone Diagram in Figure 4 in the Introduction, will enable location of the component in the airplane.

### ***ALPHABETICAL INDEX***

An Alphabetical Index, which may be found in the introduction, is also provided as an assistance in locating the desired circuit. The Alphabetical Index provides the chapter and sub-chapter in which a circuit appears.

### ***ALPHA-NUMERIC INDEX***

All parts listed in the Wiring Diagram Manual are arranged alpha-numerically in the Alpha-Numeric Index. The circuit in which the component is found is listed and the reference designator assigned to the component in the circuit accompanies each part number in the Alpha-Numeric Index.

### ***MICROFICHE-AEROFICHE***

The General Aviation Manufacturers Association has developed a specification for microfiche and registered the name Aerofiche for use by all GAMA Members. This manual may be obtained in Aerofiche form from your local BEECHCRAFT Authorized Outlet.

### ***REFERENCE DESIGNATORS***

A reference designator is a combination of letters and numbers which identify a particular component in this Wiring Diagram Manual. A reference designator is assigned to each component shown on the wiring schematics. Any component found in the schematic can be identified in the accompanying Equipment List by its reference designator. An example of a reference designator follows:

**Beechcraft**  
**STARSHIP 1**  
**WIRING DIAGRAM MANUAL**

- CB 101** Is a reference designator for a circuit breaker.
- CB** Identifies this component as a circuit breaker.
- 101** Identifies it as a specific circuit breaker.

### ASSEMBLIES-SUBASSEMBLIES

Assemblies are identified on the schematic by name and by appearing inside the box which bears the name. The equipment list identifies assemblies by name. The reference designator of a component which belongs to an assembly begins with the reference designator of the assembly. A typical example follows:

- A151** OVERHEAD METER PANEL ASSEMBLY
- A151A1** EMERGENCY LIGHT CONTROL ASSEMBLY
- A151A1S1** EMERGENCY LIGHT CONTROL SWITCH

Assemblies can be purchased complete and ready for installation or they can be purchased by individual components. In some cases there are more components shown within the outline of an assembly than are actually part of the assembly. Assemblies should be ordered according to the equipment list since it will be more accurate in showing the components of the assemblies. Normally only electrical components are shown in the Wiring Diagram Manual so there may be fasteners and other non-electrical components within an assembly which are not shown herein.

### DELTA NOTES

The following is a list of "DELTA NOTES" that will be found, where applicable, throughout the manual in the lower left hand corner of the schematics:

- 1. Complete reference designators for components shown within the outline of an assembly or area consist of the assembly reference designator followed by the partial reference designator (class letter and number) shown for the component part. Example: The complete reference designator for the terminal block shown in Figure 1 is A124TB1.
- 2. Wire numbers (and/or reference designators) are duplicated for left and right (or multiple use) wire harness interchangeability.

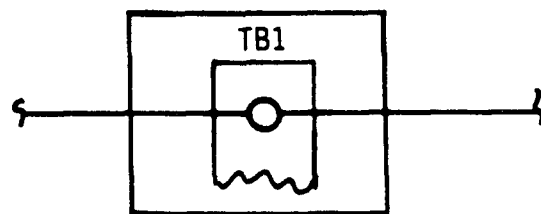
- 3. Optional equipment as required by work order. If equipment is not installed, cap and stow mating wire(s) or connector(s).

### WIRE CODES

The wire codes used in this Wiring Diagram Manual closely follow the military numbering system. Each wire and cable is identified by a combination of numbers and letters imprinted on the wire and cable as illustrated in Figure 2. Each wire or cable is identified within 3 inches of each junction. No code is required for short wires or cables less than 3 inches in length. A non-metallic sleeve carrying identification will appear on wires where imprinted codes cannot be affixed.

Circuit function letters indicate a relationship to a particular system (noted in the list of circuit function designations).

Wire numbers are provided to differentiate between wires in a circuit.



**A124 Panel Assy-Fuel Control**  
**Figure 1**

# Beechcraft STARSHIP 1 WIRING DIAGRAM MANUAL

A wire segment is a conductor between two terminals or connections. Alphabetical sequence is usually followed. Wire segment "A" indicates the power source, "B" next segment, etc.

The wire size number is used to identify the size of the wire or cable.

A suffix to the wire identification code (N) identifies any wire or cable that completes the circuit to ground network.

Phase letter "A", "B", or "C", used as a suffix identifies three-phase wiring in AC systems.

The phase letter "V" is used as a suffix identifying an ungrounded wire or cable in a single phase system.

For thermocouple wire, the following suffixes are applicable:

<b>CHROM</b>	Chromel
<b>CONST</b>	Constantan
<b>ALME</b>	Alumel
<b>COP</b>	Copper
<b>IRON</b>	Iron
<b>ALUM</b>	Aluminum

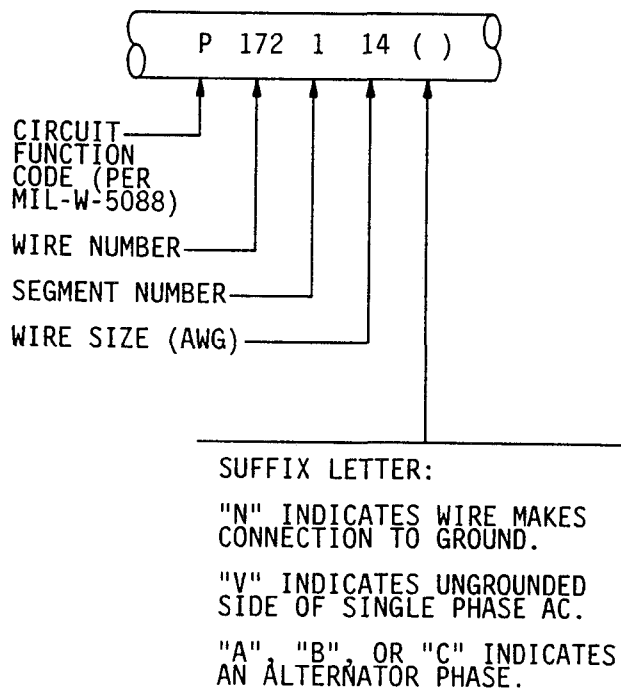
A list of Circuit Function Designations Follows:

<b>C</b>	Control surfaces; automatic pilot
<b>D</b>	Miscellaneous Instruments other than flight or engine instrument; ammeter, landing gear position, free air temperature, cabin pressure, etc.
<b>E</b>	Engine Instrument; fuel flow, fuel quantity, tachometer, synchroscope, etc.
<b>F</b>	Flight Instrument
<b>G</b>	Landing gear; actuator, retraction, warning, down lock, etc.
<b>H</b>	Heating; ventilating, deicing,
<b>J</b>	Ignition
<b>K</b>	Engine Control; starter, prop synchronizer, etc.
<b>L</b>	Lighting
<b>M</b>	Miscellaneous Electrical; windshield wiper, etc.

<b>P</b>	DC power
<b>Q</b>	Fuel and oil; fuel valves, fuel pump motors, throttle control, oil pumps, etc.
<b>V</b>	DC power for AC systems
<b>W</b>	Warning and emergency
<b>X</b>	AC power

## GENERAL NOTES

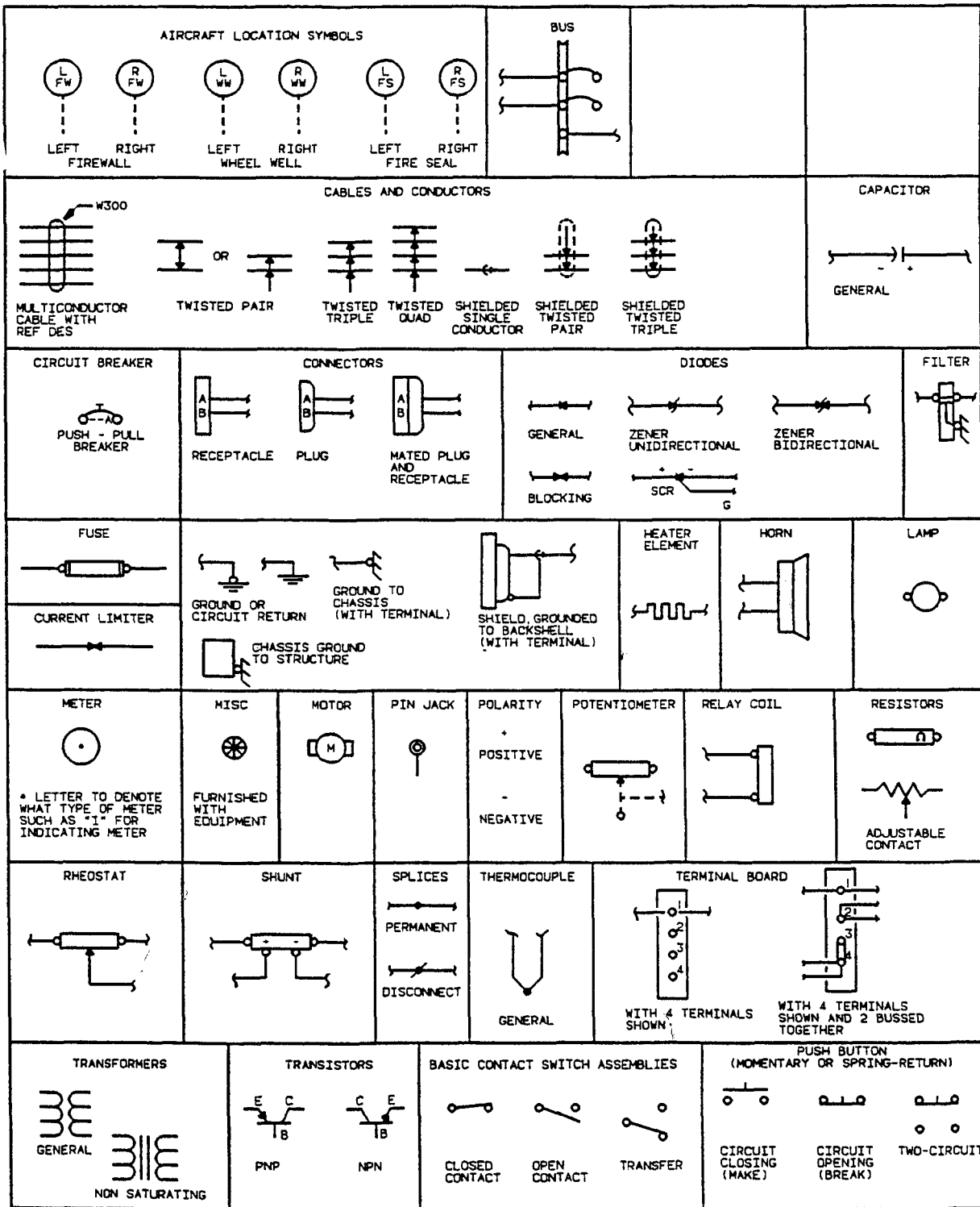
- This is a point-to-point drawing only. Wire routing or parts callouts are not shown.
- Wires are connected on terminal boards and bus bars in the same positions shown schematically.
- The wiring diagrams contained herein are shown with aircraft power "OFF", doors shut and locked, control surfaces streamlined, and weight on the landing gear. Any deviation from the preceding conditions shall be so noted on the individual sheets.
- All connectors on charts are shown from the back of the connector.



350-350-012 C

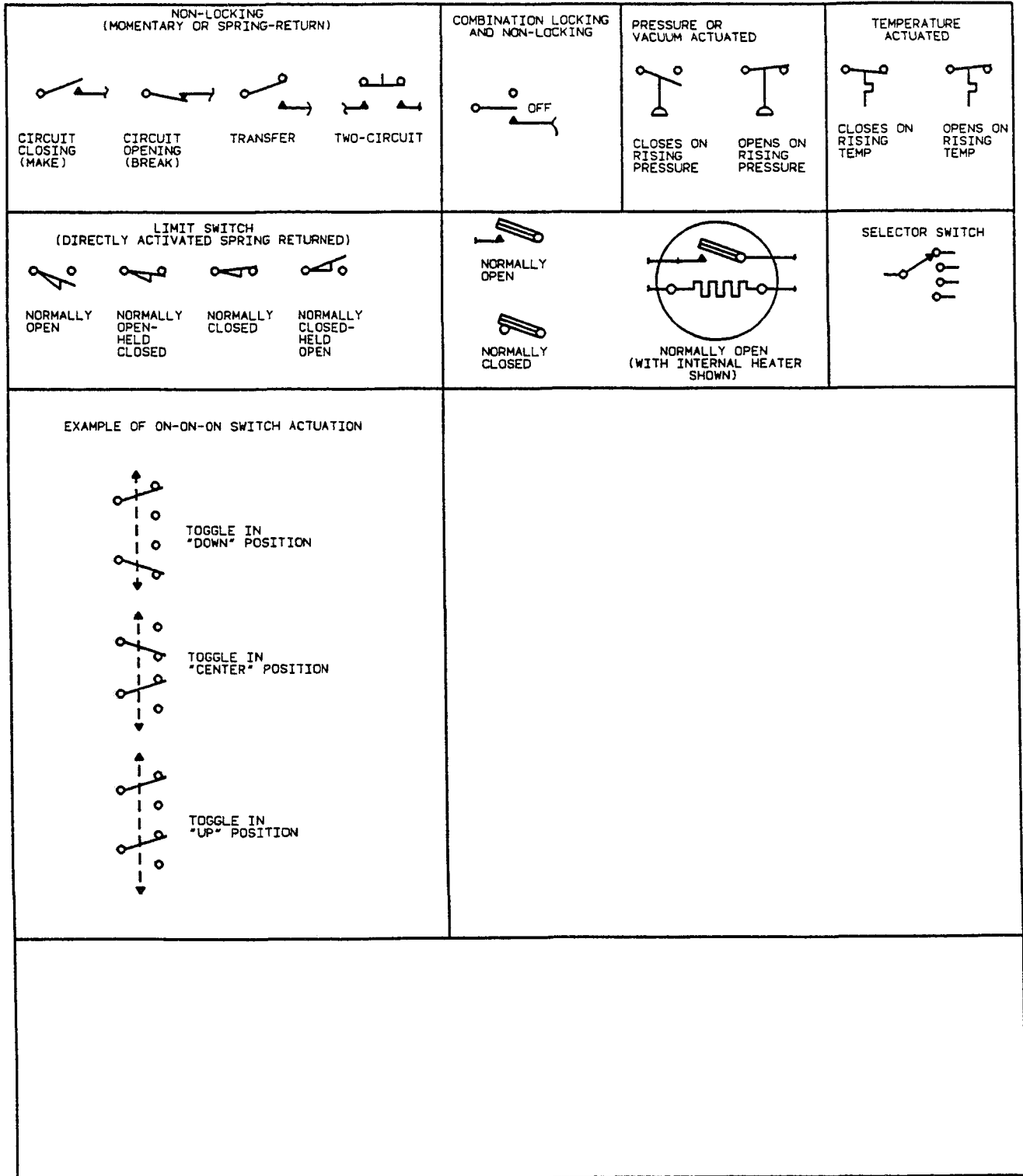
**Wire Codes  
Figure 2**

# Beechcraft STARSHIP 1 WIRING DIAGRAM MANUAL



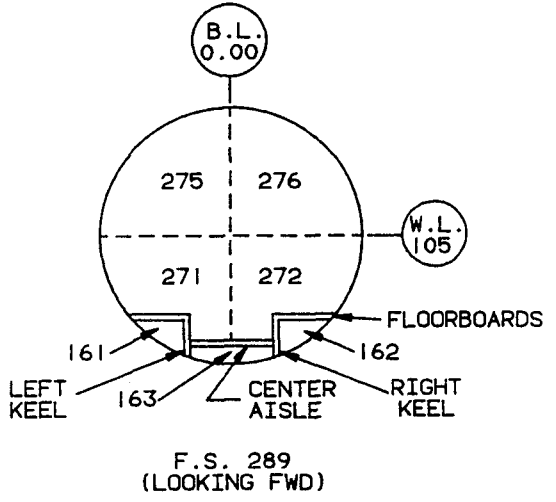
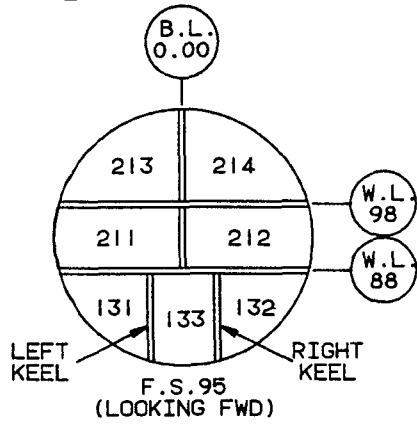
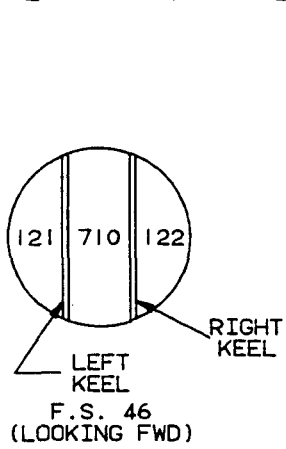
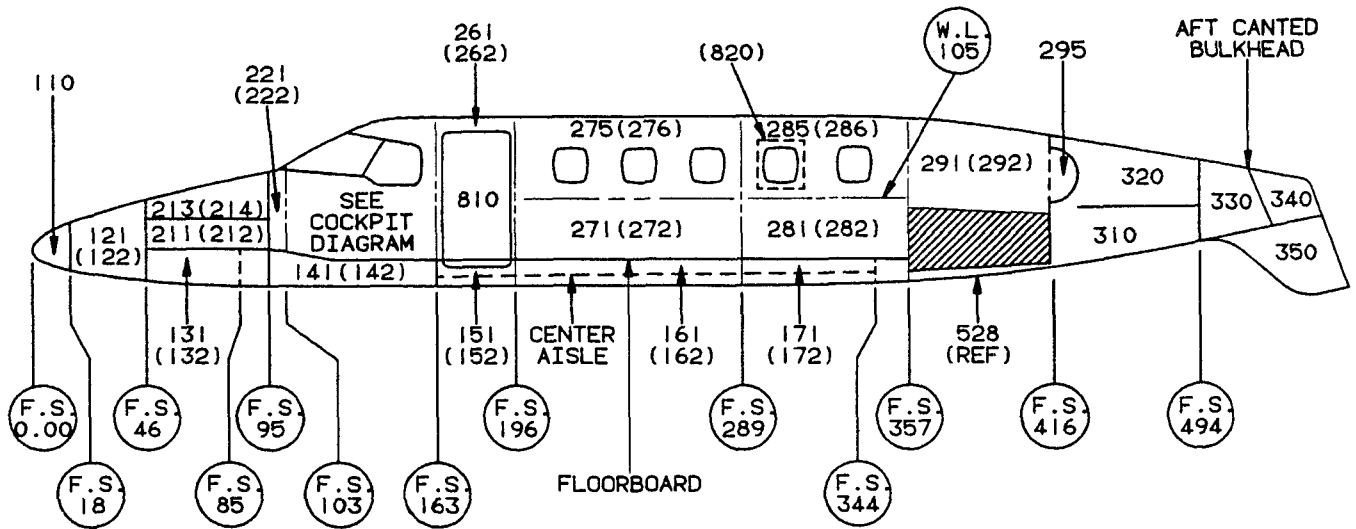
Electrical Symbols  
(Sheet 1 of 2)  
Figure 3

# Beechcraft STARSHIP 1 WIRING DIAGRAM MANUAL



**Electrical Symbols**  
(Sheet 2 of 2)  
Figure 3

# Beechcraft STARSHIP 1 WIRING DIAGRAM MANUAL



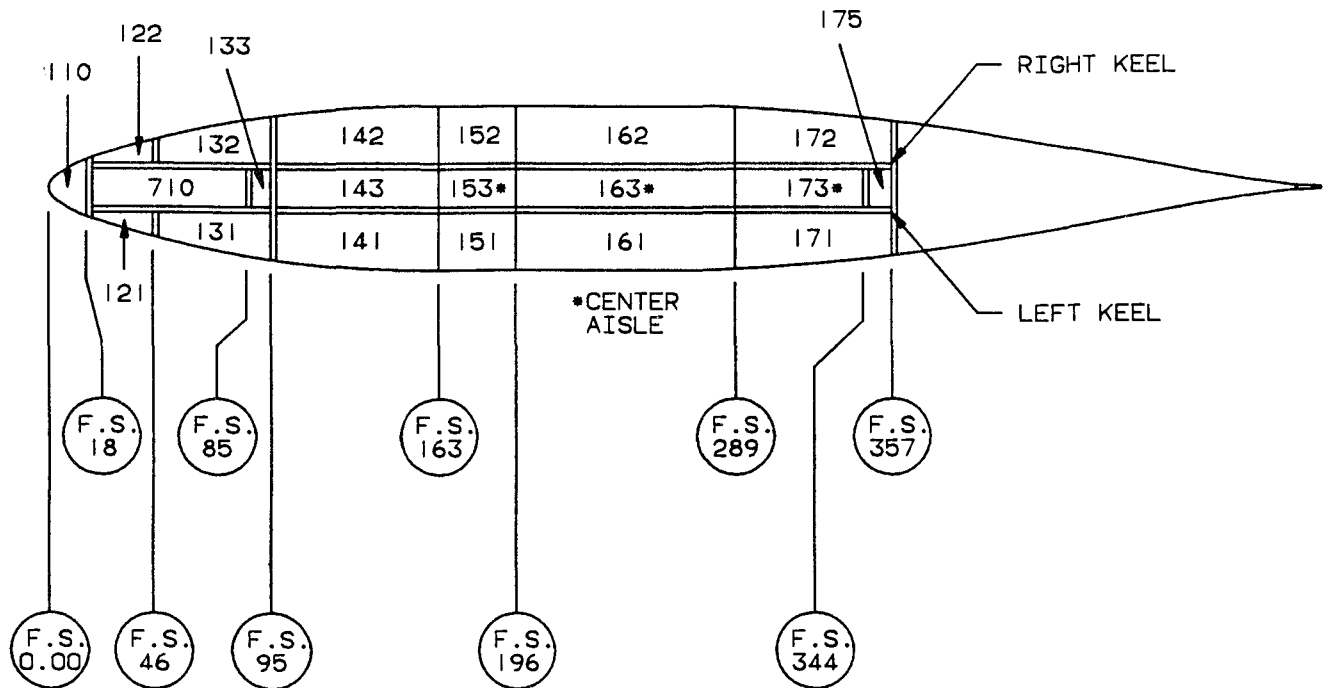
( ) - RIGHT SIDE

ZONE	100 - F.S. 0.00 TO F.S. 357 (BELOW THE FLOORBOARDS AND CENTER AISLE)	250	SEE COCKPIT DIAGRAM
110	F.S. 0.00 TO F.S. 18	260	F.S. 163 TO F.S. 196
120	F.S. 18 TO F.S. 46	270	F.S. 196 TO F.S. 289
130	F.S. 46 TO F.S. 95	280	F.S. 289 TO F.S. 357
140	F.S. 95 TO F.S. 163	290	F.S. 357 TO F.S. 416
150	F.S. 163 TO F.S. 196	ZONE 300 -	F.S. 416 TO AFT END OF AIRPLANE
160	F.S. 196 TO F.S. 289	310	F.S. 416 TO F.S. 494 (BELOW SHELF)
170	F.S. 289 TO F.S. 357	320	F.S. 416 TO F.S. 494 (ABOVE SHELF)
ZONE	200 - F.S. 46 TO F.S. 416 INCLUDING THE ENVIRONMENTAL DOME (ABOVE THE FLOORBOARDS)	330	F.S. 494 TO AFT CANTED BULKHEAD
210	F.S. 46 TO F.S. 95	340	TAIL CONE
220	F.S. 95 TO F.S. 103	350	VENTRAL STABILIZER
230	SEE COCKPIT DIAGRAM	ZONE 800 -	DOORS
240	SEE COCKPIT DIAGRAM	810	CABIN ENTRANCE DOOR (LEFT SIDE)
		820	EMERGENCY HATCH (RIGHT SIDE)

2000-369-02

**Aircraft Zone Diagram  
(Sheet 1 of 5)  
Figure 4**

# Beechcraft STARSHIP 1 WIRING DIAGRAM MANUAL



TOP VIEW  
(BELOW FLOORBOARDS AND CENTER AISLE)

ZONE 100 - F.S. 0.00 TO F.S. 357  
(BELOW FLOORBOARDS AND CENTER AISLE)

110 - F.S. 0.00 TO F.S. 18  
120 - F.S. 18 TO F.S. 46  
130 - F.S. 46 TO F.S. 95  
140 - F.S. 95 TO F.S. 163  
150 - F.S. 163 TO F.S. 196  
160 - F.S. 196 TO F.S. 289  
170 - F.S. 289 TO F.S. 357

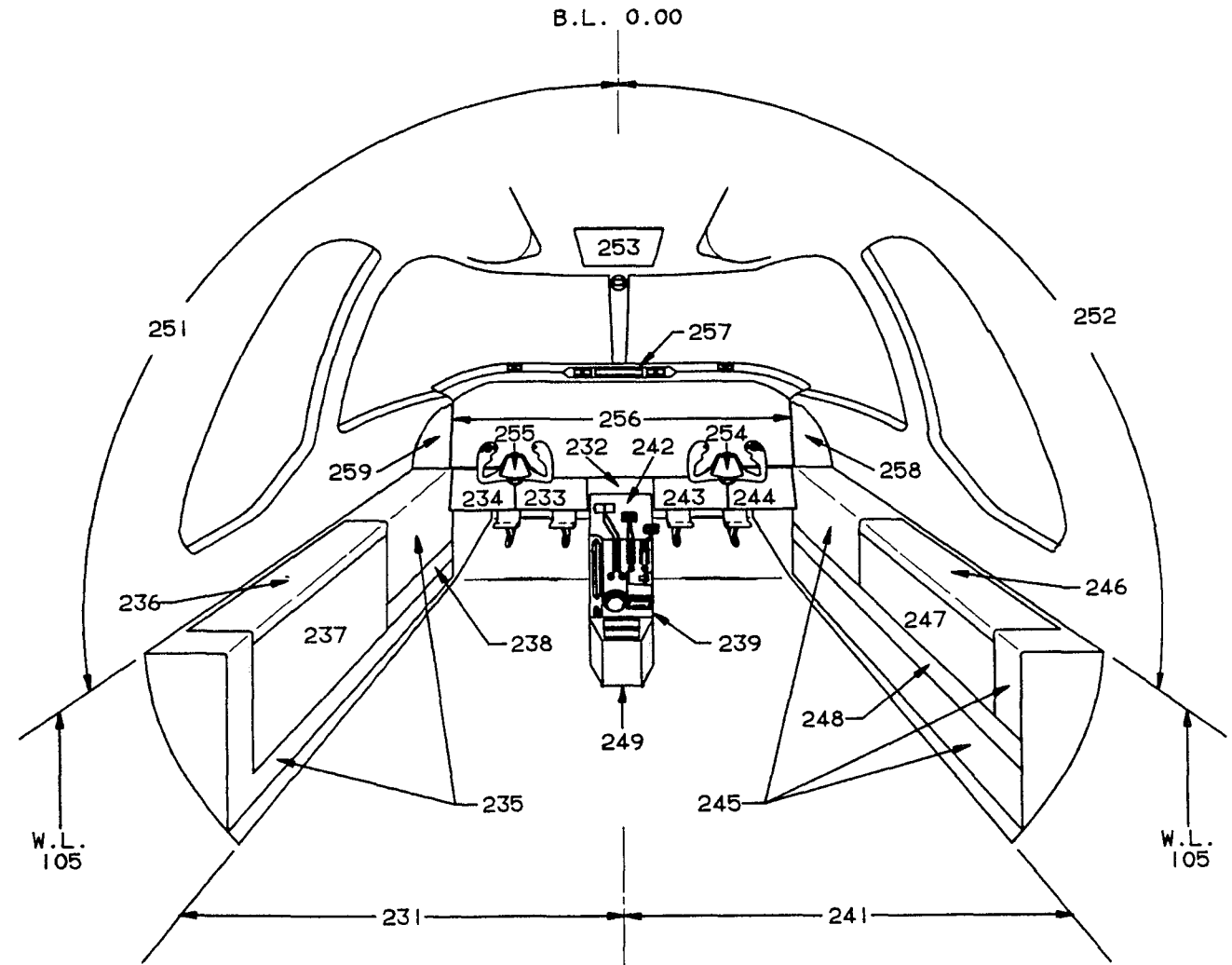
ZONE 700 - LANDING GEAR, WHEEL WELLS AND DOORS  
710 - NOSE LANDING GEAR, WHEEL WELL AND DOORS  
720 - LEFT MAIN LANDING GEAR, WHEEL WELL AND DOORS  
(SEE WING DIAGRAM)  
730 - RIGHT MAIN LANDING GEAR, WHEEL WELL AND DOORS  
(SEE WING DIAGRAM)

2000-369-03

**Aircraft Zone Diagram**  
(Sheet 2 of 5)  
Figure 4



# Beechcraft STARSHIP 1 WIRING DIAGRAM MANUAL



**ZONE 230-COCKPIT**  
F.S. 103 TO F.S. 163  
(BELOW W.L. 105)

**ZONE 240-COCKPIT**  
F.S. 103 TO F.S. 163  
(BELOW W.L. 105)

**ZONE 250-COCKPIT**  
F.S. 103 TO F.S. 163  
(ABOVE W.L. 105)

- 231 LEFT COCKPIT
- 232 CENTER SUBPANEL
- 233 LEFT INBOARD SUBPANEL
- 234 LEFT OUTBOARD SUBPANEL
- 235 LEFT CONSOLE
- 236 LEFT CIRCUIT BREAKER PANEL
- 237 LEFT CONSOLE CIRCUIT BREAKER PANEL ACCESS
- 238 LEFT CONSOLE WIRE TRAY ACCESS
- 239 PEDESTAL

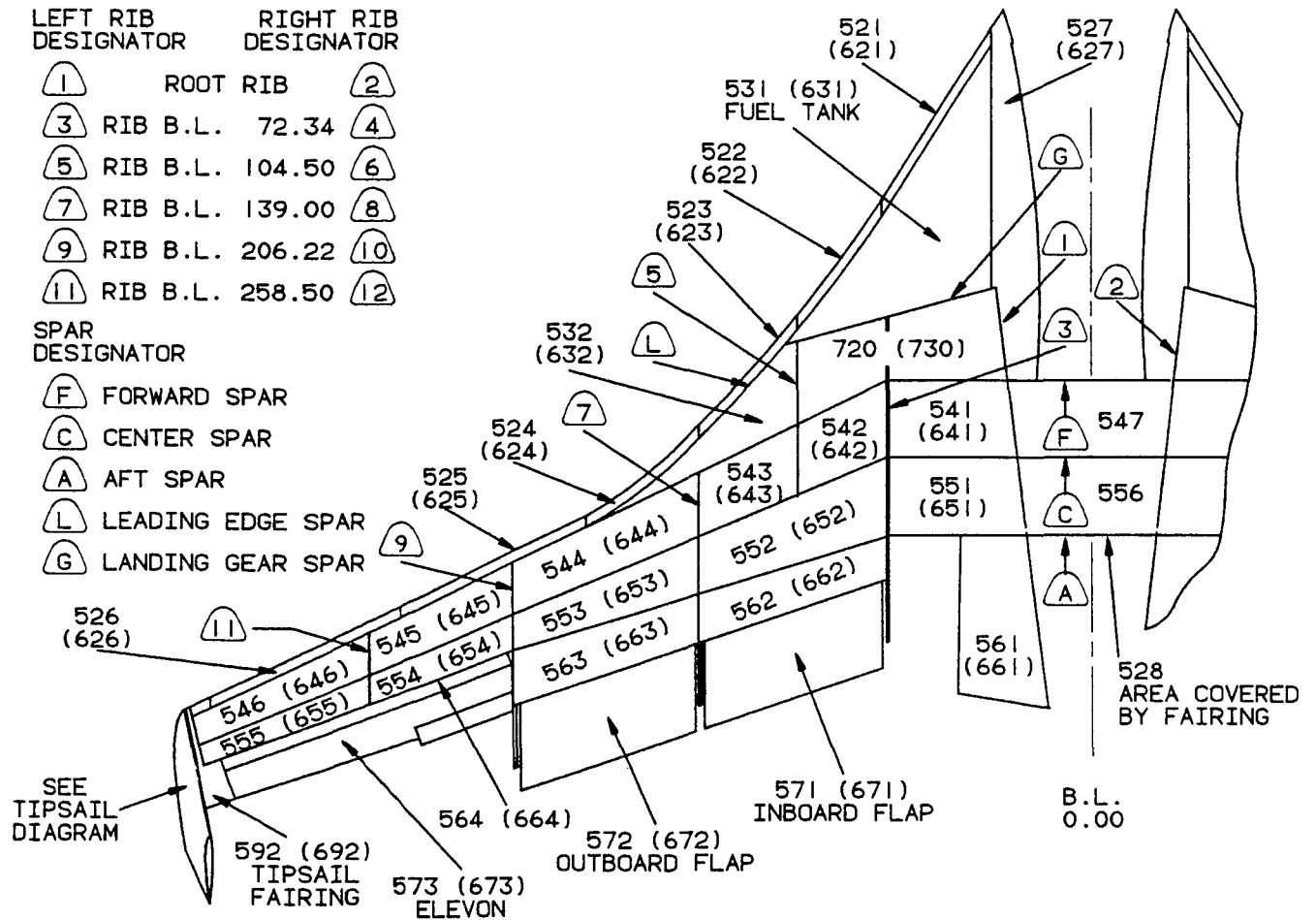
- 241 RIGHT COCKPIT
- 242 PEDESTAL SUBPANEL
- 243 RIGHT INBOARD SUBPANEL
- 244 RIGHT OUTBOARD SUBPANEL
- 245 RIGHT CONSOLE
- 246 RIGHT CIRCUIT BREAKER PANEL
- 247 RIGHT CONSOLE CIRCUIT BREAKER PANEL ACCESS
- 248 RIGHT CONSOLE WIRE TRAY ACCESS
- 249 PEDESTAL EXTENSION

- 251 LEFT SIDEWALL
- 252 RIGHT SIDEWALL
- 253 OVERHEAD PANEL
- 254 COPILOT'S CONTROL WHEEL
- 255 PILOT'S CONTROL WHEEL
- 256 INSTRUMENT PANEL
- 257 GLARESHIELD
- 258 RIGHT SIDEWALL INSTRUMENT PANEL
- 259 LEFT SIDEWALL INSTRUMENT PANEL

2000-369-01

**Aircraft Zone Diagram**  
(Sheet 3 of 5)  
Figure 4

# Beechcraft STARSHIP 1 WIRING DIAGRAM MANUAL



ZONE 500-LEFT FORWARD WING, AFT WING,  
TIPSAIL AND NACELLE  
(FORWARD OF THE FIREWALL)

510 SEE FORWARD WING DIAGRAM  
520 AFT WING (LEADING EDGE)  
527 AFT WING (WING TO FUSELAGE)  
528 AREA COVERED BY FAIRING  
530 AFT WING (LEADING EDGE  
TO FORWARD SPAR)  
540 AFT WING (FORWARD SPAR  
TO CENTER SPAR)  
550 AFT WING (CENTER SPAR  
TO AFT SPAR)  
560 AFT WING (AFT OF AFT SPAR)  
570 AFT WING (ELEVON AND FLAPS)  
580 SEE NACELLE DIAGRAM  
590 SEE TIPSAIL DIAGRAM

ZONE 600-RIGHT FORWARD WING, AFT WING,  
TIPSAIL AND NACELLE  
(FORWARD OF THE FIREWALL)

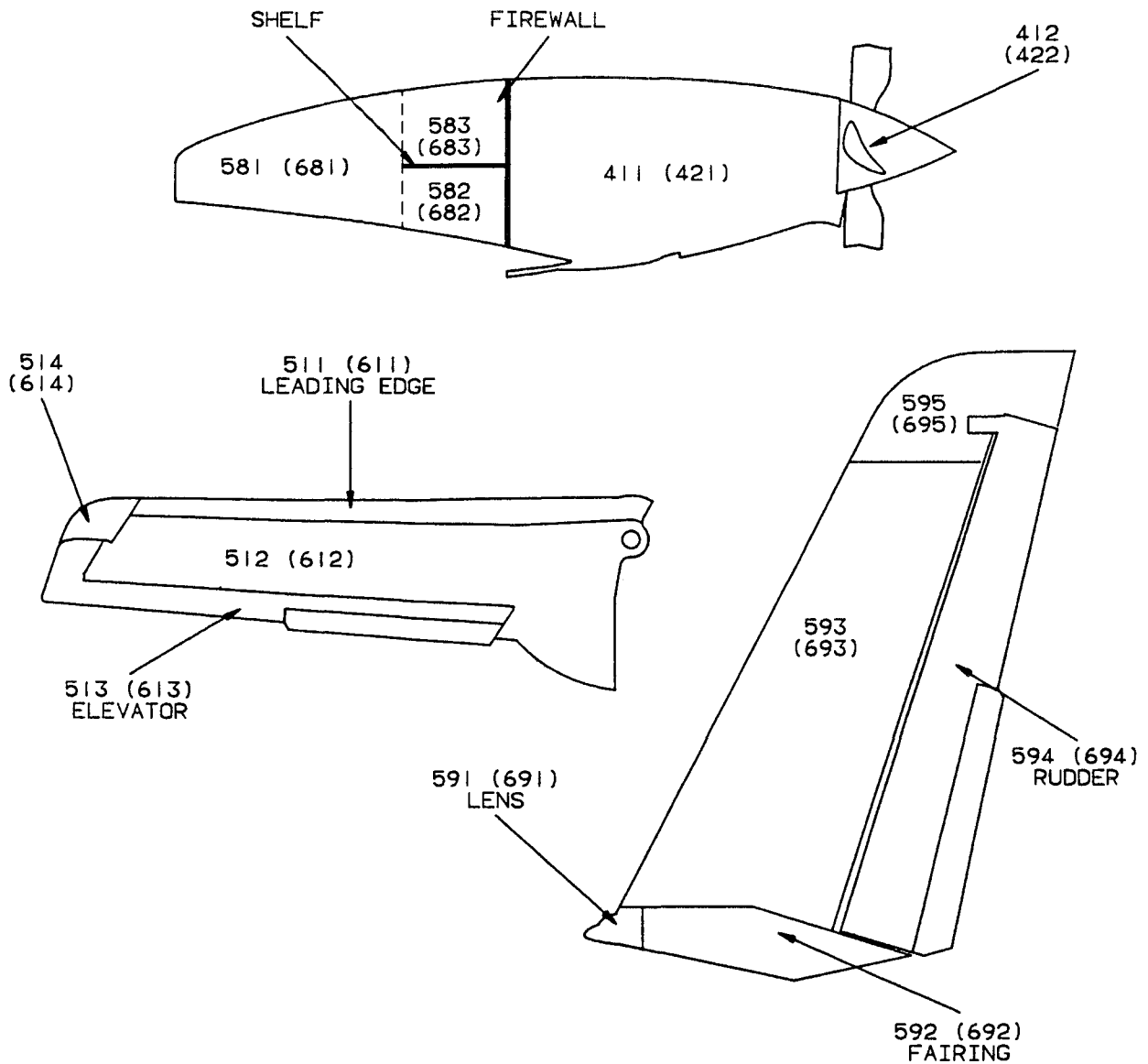
610 SEE FORWARD WING DIAGRAM  
620 AFT WING (LEADING EDGE)  
627 AFT WING (WING TO FUSELAGE)  
630 AFT WING (LEADING EDGE  
TO FORWARD SPAR)  
640 AFT WING (FORWARD SPAR  
TO CENTER SPAR)  
650 AFT WING (CENTER SPAR TO AFT SPAR)  
660 AFT WING (AFT OF AFT SPAR)  
670 AFT WING (ELEVON AND FLAPS)  
680 SEE NACELLE DIAGRAM  
690 SEE TIPSAIL DIAGRAM

ZONE 700 LANDING GEAR, WHEEL WELLS AND DOORS  
710 NOSE LANDING GEAR, WHEEL WELLS AND  
DOORS (SEE FUSELAGE DIAGRAM)  
720 LEFT MAIN LANDING GEAR,  
WHEEL WELL AND DOORS  
730 RIGHT MAIN LANDING GEAR,  
WHEEL WELL AND DOORS

2000-369-04

**Aircraft Zone Diagram**  
(Sheet 4 of 5)  
Figure 4

**Beechcraft  
STARSHIP 1  
WIRING DIAGRAM MANUAL**



- ZONE 400 - ENGINE COMPARTMENT, SPINNER AND PROP (AFT OF FIREWALL)
- 410 - LEFT ENGINE COMPARTMENT, SPINNER AND PROP
- 420 - RIGHT ENGINE COMPARTMENT, SPINNER AND PROP
- ZONE 510 - LEFT FORWARD WING
- 610 - RIGHT FORWARD WING
- ZONE 580 - LEFT NACELLE (FORWARD OF THE FIREWALL)
- 680 - RIGHT NACELLE (FORWARD OF THE FIREWALL)
- ZONE 590 - LEFT TIPSAIL
- 690 - RIGHT TIPSAIL

2000-369-05

**Aircraft Zone Diagram  
(Sheet 5 of 5)  
Figure 4**

**Beechcraft**  
**STARSHIP 1**  
**WIRING DIAGRAM MANUAL**  
**ALPHABETICAL INDEX**

**COMPONENT ITEM OR SYSTEM NAME**

**CHAP/SUB SECT & UNIT**

**A**

AIR INTAKE-ENGINE ANTI-ICE, LEFT .....	30-21-01
AIR INTAKE-ENGINE ANTI-ICE, RIGHT .....	30-21-02

**C**

CENTRAL WARNING SYSTEM-ANNUNCIATION POWER .....	31-51-07
CENTRAL WARNING SYSTEM-ANNUNCIATOR CONTROL .....	31-51-01
CENTRAL WARNING SYSTEM-ANNUNCIATOR TEST .....	31-51-03
CENTRAL WARNING SYSTEM-ANNUNCIATOR WARNING .....	31-51-02
CENTRAL WARNING SYSTEM-AVIONICS INTERFACE, LEFT .....	31-51-06
CENTRAL WARNING SYSTEM-AVIONICS INTERFACE, RIGHT .....	31-51-08
CENTRAL WARNING SYSTEM-L ENGINE CONCENTRATOR .....	31-51-04
CENTRAL WARNING SYSTEM-R ENGINE CONCENTRATOR .....	31-51-05
CONNECTOR-AFT RELAY PANEL CONN #1 SECT A (P289A, A129J1A) .....	91-24-00
CONNECTOR-AFT RELAY PANEL CONN #1 SECT B (P289B, A129J1B) .....	91-25-00
CONNECTOR-AFT RELAY PANEL CONN #2 SECT A (P357A, A129J2A) .....	91-26-00
CONNECTOR-AFT RELAY PANEL CONN #2 SECT B (P357B, A129J2B) .....	91-27-00
CONNECTOR-ANN & FIRE DETECTION TEST PCB (P309, A130J1) .....	91-37-00
CONNECTOR-BATTERY CABLE (J/P959) .....	91-20-00
CONNECTOR-BATTERY CABLE (J/P963) .....	91-30-00
CONNECTOR-BREAK, R CIRCUIT BREAKER PANEL (J/P892) .....	91-44-00
CONNECTOR-COCKPIT GROUND BLOCK (J/P278) .....	91-07-00
CONNECTOR-FORWARD BAGGAGE COMPARTMENT (J/P698) .....	91-47-00
CONNECTOR-FORWARD BAGGAGE COMPARTMENT (J/P698) .....	91-47-00
CONNECTOR-FORWARD BAGGAGE COMPARTMENT (J/P801) .....	91-38-00
CONNECTOR-GLARESHIELD #1 (J/P310) .....	91-17-00
CONNECTOR-L NACELLE POWER RELAY PANEL (P223, A116J1) .....	91-28-00
CONNECTOR-L SAFETY SWITCH (J/P391) .....	91-32-00
CONNECTOR-L WING BREAK (J/P383) .....	91-22-00
CONNECTOR-LEFT CENTER WING GROUND BLOCK (J/P381) .....	91-10-00
CONNECTOR-LEFT FIREWALL #1 BREAK (J/P265) .....	91-14-00
CONNECTOR-LEFT FIREWALL #2 BREAK (J/P329) .....	91-15-00
CONNECTOR-LEFT FUSELAGE BREAK #1 (J/P101) .....	91-01-00
CONNECTOR-LEFT FUSELAGE BREAK #1 (J/P101) .....	91-01-00
CONNECTOR-LEFT FUSELAGE BREAK #2 (J/P103) .....	91-03-00
CONNECTOR-LEFT FUSELAGE BREAK #3 (J/P647) .....	91-33-00
CONNECTOR-LEFT NACELLE GROUND BLOCK (J/P275) .....	91-04-00
CONNECTOR-LEFT SIDEWALL (J/P877) .....	91-41-00
CONNECTOR-LEFT SUBPANEL GROUND BLOCK (J/P279) .....	91-08-00
CONNECTOR-LEFT SUBPANEL GROUND BLOCK (J/P279) .....	91-08-00
CONNECTOR-PANEL ASSY, SUBPANEL, CENTER (J/P696) .....	91-46-00
CONNECTOR-PANEL ASSY, SUBPANEL, CENTER (J/P697) .....	91-45-00
CONNECTOR-PANEL ASSY, SUBPANEL, L INBOARD (J/P694) .....	91-49-00
CONNECTOR-PANEL ASSY, SUBPANEL, L INBOARD (J/P695) .....	91-48-00
CONNECTOR-PEDESTAL (J/P239) .....	91-19-00
CONNECTOR-PRESSURE DOME BREAK (J/P800) .....	91-50-00
CONNECTOR-R NACELLE POWER RELAY PANEL (P224, A117J1) .....	91-29-00
CONNECTOR-R SAFETY SWITCH (J/P390) .....	91-31-00

**ALPHABETICAL INDEX**

  
**STARSHIP 1**  
**WIRING DIAGRAM MANUAL**  
 ALPHABETICAL INDEX (CONTINUED)

COMPONENT ITEM OR SYSTEM NAME	CHAP/SUB SECT & UNIT
CONNECTOR-R WING BREAK (J/P382) .....	91-21-00
CONNECTOR-RELAY PCB (P341, A134J1) .....	91-39-00
CONNECTOR-RELAY PCB (P760, A182J1) .....	91-40-00
CONNECTOR-RELAY PCB (P931, A211J1) .....	91-42-00
CONNECTOR-RIGHT CENTER WING GROUND BLOCK (J/P407) .....	91-12-00
CONNECTOR-RIGHT FIREWALL #1 BREAK (J/P264) .....	91-13-00
CONNECTOR-RIGHT FIREWALL #2 BREAK (J/P330) .....	91-16-00
CONNECTOR-RIGHT FUSELAGE BREAK #1 (J/P102) .....	91-02-00
CONNECTOR-RIGHT FUSELAGE BREAK #2 (J/P111) .....	91-52-00
CONNECTOR-RIGHT NACELLE GROUND BLOCK (J/P276) .....	91-05-00
CONNECTOR-RIGHT SUBPANEL GROUND BLOCK (J/P280) .....	91-09-00
CONNECTOR-RIGHT SUBPANEL GROUND BLOCK (J/P280) .....	91-09-00
CONNECTOR-TAIL GROUND BLOCK #1 (J/P277) .....	91-06-00
CONNECTOR-TAIL GROUND BLOCK #2 (J/P306) .....	91-11-00
CONNECTOR-TEST SW PANEL, SUBPANEL, L OUTBD (J/P485, A156) .....	91-23-00
CONTROLLING-AUTOFEATHER .....	61-22-03
CONTROLLING-AUTOFEATHER, LEFT .....	61-22-01
CONTROLLING-AUTOFEATHER, RIGHT .....	61-22-02
CONTROLLING-PROPELLER GOVERNOR & GROUND IDLE STOP .....	61-23-00
CONTROLLING-PROPELLER SYNCHROPHASER .....	61-24-00
CONTROLLING-PROPELLER SYNCHROPHASER .....	61-24-00
COOLING-CABIN AIR CONDITIONING .....	21-51-00
COOLING-CABIN AIR CONDITIONING .....	21-51-00
COOLING-INDICATION .....	21-52-00
COPILOTS WINDSHIELD-ANTI-ICE .....	30-43-00
CRANKING-ENGINE START .....	80-11-00
CREW-OXYGEN SYSTEM .....	35-10-00

# D

DC GENERATION-BATTERY .....	24-33-00
DC GENERATION-BUS TIE CONTROL .....	24-34-01
DC GENERATION-BUS TIE CONTROL .....	24-34-02
DC GENERATION-GENERATOR OVERTEMPERATURE (OPTIONAL) .....	24-36-00
DC GENERATION-LEFT .....	24-31-01
DC GENERATION-LEFT .....	24-31-01
DC GENERATION-POWER RETURN .....	24-35-00
DC GENERATION-RIGHT .....	24-31-02
DETECTION-BLEED AIR FAILURE .....	26-12-00
DETECTION-ENGINE FIRE .....	26-11-00
DISTRIBUTION-AUXILIARY FUEL PUMP & CROSS TRANSFER .....	28-21-01
DISTRIBUTION-AUXILIARY FUEL PUMP & CROSS TRANSFER .....	28-21-02
DISTRIBUTION-COOLING, VENTILATION BLOWER .....	21-21-00
DISTRIBUTION-FUEL QUANTITY, LEFT .....	28-22-01
DISTRIBUTION-FUEL QUANTITY, RIGHT .....	28-22-02

**ALPHABETICAL INDEX**

Beechcraft  
**STARSHIP 1**  
**WIRING DIAGRAM MANUAL**  
*ALPHABETICAL INDEX (CONTINUED)*

**COMPONENT ITEM OR SYSTEM NAME**

**CHAP/SUB SECT & UNIT**

# E

ELECTRIC LOAD DISTRIBUTION-AVIONICS POWER .....	24-56-00
ELECTRIC LOAD DISTRIBUTION-CIRCUIT BREAKER PANEL, AFT .....	24-54-04
ELECTRIC LOAD DISTRIBUTION-CIRCUIT BREAKER PANEL, AFT .....	24-54-04
ELECTRIC LOAD DISTRIBUTION-CIRCUIT BREAKER PANEL, AUXILIARY .....	24-54-05
ELECTRIC LOAD DISTRIBUTION-CIRCUIT BREAKER PANEL, LEFT .....	24-54-02
ELECTRIC LOAD DISTRIBUTION-CIRCUIT BREAKER PANEL, LEFT (OPTIONAL) .....	24-54-01
ELECTRIC LOAD DISTRIBUTION-CIRCUIT BREAKER PANEL, RIGHT .....	24-54-03
ELECTRIC LOAD DISTRIBUTION-CIRCUIT BREAKER PANEL, RIGHT .....	24-54-03
ELECTRIC LOAD DISTRIBUTION-CIRCUIT BREAKER PANEL, RIGHT .....	24-54-03
ELECTRIC LOAD DISTRIBUTION-L DC GENERATOR & CENTER BUS .....	24-51-01
ELECTRIC LOAD DISTRIBUTION-L DC GENERATOR & CENTER BUS .....	24-51-01
ELECTRIC LOAD DISTRIBUTION-L DC GENERATOR & CENTER BUS .....	24-51-01
ELECTRIC LOAD DISTRIBUTION-R DC GENERATOR & TRIPLE BUS .....	24-51-02
ELECTRIC LOAD DISTRIBUTION-R DC GENERATOR & TRIPLE BUS .....	24-51-02
ELECTRICAL POWER SUPPLY, L ENGINE .....	74-11-01
ELECTRICAL POWER SUPPLY, R ENGINE .....	74-11-02
ELEVATOR & TAB-STALL WARNING, AOA INDICATOR .....	27-31-03
ELEVATOR & TAB-STALL WARNING, LH .....	27-31-01
ELEVATOR & TAB-STALL WARNING, LH .....	27-31-04
ELEVATOR & TAB-STALL WARNING, RH .....	27-31-02
EMERGENCY SHUTDOWN-LEFT FUEL .....	76-21-01
EMERGENCY SHUTDOWN-RIGHT FUEL .....	76-21-02
EXTENSION & RETRACTION-HYDRAULIC GEAR CONTROL .....	32-31-02
EXTENSION & RETRACTION-HYDRAULIC GEAR CONTROL .....	32-31-03
EXTENSION & RETRACTION-HYDRAULIC GEAR POWER .....	32-31-01
EXTERIOR-HIGH INTENSITY LIGHTS .....	33-43-00
EXTERIOR-LANDING & TAXI LIGHTS .....	33-44-00
EXTERIOR-NAVIGATION LIGHTS .....	33-42-00
EXTERIOR-WING LIGHTS .....	33-46-00
EXTERNAL POWER-AFT FUSELAGE (WITHOUT KIT 122-3002) .....	24-41-00
EXTERNAL POWER-LEFT MAIN WING .....	24-41-01
EXTINGUISHER-ENGINE FIRE, LEFT .....	26-21-01
EXTINGUISHER-ENGINE FIRE, RIGHT .....	26-21-02

# F

FLAP/FWD WING CONTROL .....	27-50-01
FLAP/FWD WING CONTROL .....	27-50-01
FLAP/FWD WING CONTROL .....	27-50-02
FLAP/FWD WING CONTROL .....	27-50-05
FLAP/FWD WING CONTROL-LEFT .....	27-50-03
FLAP/FWD WING CONTROL-RIGHT .....	27-50-04
FLIGHT COMPARTMENT-COCKPIT AREA LIGHTS .....	33-13-00
FLIGHT COMPARTMENT-COCKPIT LAP LIGHTS .....	33-14-00
FLIGHT COMPARTMENT-INSTRUMENT INDIRECT LIGHTING .....	33-12-00
FLIGHT COMPARTMENT-INSTRUMENT LIGHTING .....	33-19-00
FLIGHT COMPARTMENT-OVERHEAD CONTROL, COCKPIT INSTRUMENTS .....	33-10-02
FLIGHT COMPARTMENT-OVERHEAD CONTROL, DIMMING .....	33-10-05

**ALPHABETICAL INDEX**

Page 15

02/25/94

Beechcraft  
**STARSHIP 1**  
**WIRING DIAGRAM MANUAL**  
*ALPHABETICAL INDEX (CONTINUED)*

<b>COMPONENT ITEM OR SYSTEM NAME</b>	<b>CHAP/SUB SECT &amp; UNIT</b>
FLIGHT COMPARTMENT-OVERHEAD CONTROL, EXTERNAL .....	33-10-04
FLIGHT COMPARTMENT-OVERHEAD CONTROL, POTENTIOMETER .....	33-10-01
FLIGHT COMPARTMENT-OVERHEAD CONTROL, SWITCHING .....	33-10-03
FLIGHT COMPARTMENT-OVERHEAD CONTROL, SWITCHING .....	33-10-03
FLIGHT COMPARTMENT-OVERHEAD CONTROL, SWITCHING .....	33-10-06
FLIGHT COMPARTMENT-OVERHEAD, SUBPANEL & CONSOLE LIGHTS .....	33-15-00
FLIGHT COMPARTMENT-STORM LIGHTS (OPTIONAL) .....	33-16-00

## G

GENERAL-SCHEMATIC, TEST SWITCH PANEL, SUBPANEL, L OUTBOARD (A156) .....	91-00-01
GENERAL-VOLTAGE/LOADMETERS .....	24-01-00

## H

HEATERS-POWER LEVER CONTROL CABLE, LH & RH ENGINE .....	73-32-00
HEATERS-POWER LEVER CONTROL CABLE, LH & RH ENGINE .....	73-32-00

## I

ICE & RAIN PROTECTION-AIRFOIL DEICE .....	30-10-01
ICE & RAIN PROTECTION-AIRFOIL DEICE .....	30-10-02
ICE & RAIN PROTECTION-AIRFOIL DEICE .....	30-10-03
ICE & RAIN PROTECTION-AIRFOIL DEICE .....	30-10-04
ICE & RAIN PROTECTION-AIRFOIL DEICE .....	30-10-05
ICE & RAIN PROTECTION-ICE DETECTION .....	30-81-00
ICE & RAIN PROTECTION-ICE DETECTION, GROUND (OPTIONAL) .....	30-82-00
INDEPENDENT INSTRUMENTS-FLIGHT HOUR METER .....	31-21-00
INDICATING-CHIP DETECTOR .....	79-32-00
INDICATING-ELECTRONIC DIPSTICK .....	79-30-00
INDICATING-FUEL CUTOFF .....	73-30-00
INDICATING-FUEL FLOW .....	73-31-00
INDICATING-FUEL WARNING, LOW PRESSURE .....	28-43-00
INDICATING-LOW FUEL WARNING .....	28-44-00
INDICATING-OIL PRESSURE .....	79-34-00
INDICATING-OIL PRESSURE WARNING .....	79-33-00
INDICATING-OIL TEMPERATURE .....	79-31-00
INDICATING-PROPELLER FEATHERING .....	61-43-00
INDICATING-PROPELLER TACHOMETER .....	61-42-00
INDICATING-WARNING, LOW FUEL TEMPERATURE .....	28-45-00

**ALPHABETICAL INDEX**

Beechcraft  
**STARSHIP 1**  
**WIRING DIAGRAM MANUAL**  
*ALPHABETICAL INDEX (CONTINUED)*

**COMPONENT ITEM OR SYSTEM NAME**

**CHAP/SUB SECT & UNIT**

**P**

PASSENGER COMPARTMENT-AIRSTAIR DOOR WARNING .....	33-23-00
PASSENGER COMPARTMENT-BAGGAGE & TOILET LIGHTING .....	33-18-00
PASSENGER COMPARTMENT-BAGGAGE & TOILET LIGHTING .....	33-18-01
PASSENGER COMPARTMENT-CABIN & DOOR LIGHTING .....	33-17-01
PASSENGER COMPARTMENT-CABIN & DOOR LIGHTING .....	33-17-15
PASSENGER COMPARTMENT-CABIN LIGHTING .....	33-17-02
PASSENGER COMPARTMENT-CABIN LIGHTING .....	33-17-03
PASSENGER COMPARTMENT-CABIN LIGHTING .....	33-17-04
PASSENGER COMPARTMENT-CABIN LIGHTING .....	33-17-05
PASSENGER COMPARTMENT-CABIN LIGHTING .....	33-17-06
PASSENGER COMPARTMENT-CABIN LIGHTING .....	33-17-07
PASSENGER COMPARTMENT-CABIN LIGHTING .....	33-17-08
PASSENGER COMPARTMENT-CABIN LIGHTING .....	33-17-09
PASSENGER COMPARTMENT-CABIN LIGHTING .....	33-17-10
PASSENGER COMPARTMENT-CABIN LIGHTING .....	33-17-11
PASSENGER COMPARTMENT-CABIN LIGHTING .....	33-17-12
PASSENGER COMPARTMENT-CABIN LIGHTING .....	33-17-13
PASSENGER COMPARTMENT-CABIN LIGHTING .....	33-17-14
PASSENGER COMPARTMENT-CIGARETTE LIGHTER .....	25-21-00
PASSENGER COMPARTMENT-NO SMOKING & FASTEN SEAT BELT SIGNS .....	33-22-01
PASSENGER COMPARTMENT-NO SMOKING & FASTEN SEAT BELT SIGNS .....	33-22-01
PASSENGER COMPARTMENT-REFRESHMENT CABINET .....	25-22-00
PASSENGER COMPARTMENT-WINDOW SHADING .....	33-21-00
PILOT/COPILOT WINDSHIELD WIPER .....	30-41-00
PILOTS WINDSHIELD-ANTI-ICE .....	30-42-00
PITOT AND STATIC-PITOT ANTI-ICE .....	30-31-00
PNEUMATIC-INDICATION .....	36-21-00
POSITION & WARNING-HYDRAULIC GEAR .....	32-61-00
POSITION & WARNING-LANDING GEAR WARNING .....	32-62-00
POWER-TORQUEMETERS .....	77-11-00
POWER-TURBINE TACHOMETER .....	77-12-00
PRESSURIZATION CONTROL .....	21-31-01
PRESSURIZATION CONTROL .....	21-31-02
PRESSURIZATION CONTROL-BLEED AIR VALVES .....	21-32-00
PRESSURIZATION CONTROL-BLEED AIR VALVES .....	21-32-00

**S**

STATIC PORT CONTROL VALVES .....	34-10-00
STEERING-NOSE GEAR DISCONNECT .....	32-51-00
STORAGE-FUEL VENT HEATER .....	28-11-00

**ALPHABETICAL INDEX**

Page 17

02/25/94



**Beechcraft**  
**STARSHIP 1**  
**WIRING DIAGRAM MANUAL**  
*ALPHABETICAL INDEX (CONTINUED)*

**COMPONENT ITEM OR SYSTEM NAME**

**CHAP/SUB SECT & UNIT**

**T**

TEMPERATURE CONTROL .....	21-61-01
TEMPERATURE CONTROL .....	21-61-02
TEMPERATURE-TURBINE GAS .....	77-21-00

**W**

WASTE DISPOSAL-FORWARD TOILET (OPTIONAL) .....	38-20-00
WASTE DISPOSAL-FORWARD TOILET (OPTIONAL) .....	38-20-00
WASTE DISPOSAL-HEATED OVERBOARD DRAIN .....	38-21-00
WHEELS & BRAKES-ANTI-SKID EQUIPMENT .....	32-43-01
WHEELS & BRAKES-ANTI-SKID EQUIPMENT .....	32-43-02
WHEELS & BRAKES-ANTI-SKID EQUIPMENT .....	32-43-02
WHEELS & BRAKES-BRAKE DEICE (OPTIONAL) .....	32-42-00

**Beechcraft**  
**STARSHIP 1**  
**WIRING DIAGRAM MANUAL**

REFERENCE DESIGNATOR INDEX

LIST OF PAGE EFFECTIVITY

CHAPTER SECTION SUBJECT	PAGE	DATE
REFERENCE DESIGNATOR-EFFECTIVITY	1	February 25, 1994
REFERENCE DESIGNATOR INDEX	1 thru 31	February 25, 1994 February 25, 1994

**Beechcraft**  
**STARSHIP 1**  
**WIRING DIAGRAM MANUAL**  
*REFERENCE DESIGNATOR INDEX*

Reference Designator	GAMA/ATA Code	Part Number
A100	32-31-02	122-382038-1
A100DS1	32-31-02	MS25237-327
A100DS2	32-31-02	MS25237-327
A100J1	32-31-02	205840-3
A101	24-01-00	122-322169-1
A103	31-51-02	122-322067-9
A103J1	31-51-02	205840-3
A104	76-21-02	122-382033-1
A104	76-21-02	122-382170-1
A105	26-21-02	122-382033-3
A105	26-21-02	122-382170-1
A106	26-21-01	122-382033-3
A106	26-21-01	122-382170-3
A107	76-21-01	122-382033-1
A107	76-21-01	122-382170-1
A108	33-42-00	A600-PG-D28RH
A108	33-43-00	A600-PG-D28RH
A108DS1	33-42-00	W1290-28
A108DS2	33-42-00	A508
A109	33-42-00	A600-PR-D28LH
A109	33-43-00	A600-PR-D28LH
A109DS1	33-42-00	W1290-28
A109DS2	33-42-00	A508
A110	33-10-01	122-322094-3
A110CR2	33-10-01	1N4731A
A110CR4	33-10-01	1N4731A
A110CR6	33-10-01	1N4731A
A110K1	33-10-06	50-380048-1
A110K2	33-10-06	50-380048-1
A110K3	33-10-06	50-380048-1
A110R1	33-10-01	RNC55H4751FS
A110R3	33-10-01	RNC55H4751FS
A110R5	33-10-01	RNC55H4751FS
A110R7	33-10-01	RNC55H4751FS
A112	31-51-01	122-382088-5
A113	31-51-01	122-382088-5
A114	31-51-01	122-382088-7
A115	31-51-01	122-382088-7
A116	91-28-00	122-389020-1
A116J1	91-28-00	MS3122E20-41P
A117	91-29-00	122-389020-1
A117J1	91-29-00	MS3122E20-41P
A118	24-33-00	122-389020-1
A118J1	24-33-00	MS3122E20-41P
A119	24-33-00	122-361013-37
A119CB1	24-33-00	131984-5
A119CB10	24-33-00	131984-5
A119CB11	24-33-00	131984-5
A119CB12	24-33-00	131984-5
A119CB13	24-33-00	131984-5
A119CB14	24-33-00	131984-5
A119CB15	24-33-00	131984-5
A119CB16	24-33-00	131984-5
A119CB17	24-33-00	131984-5
A119CB18	24-33-00	131984-5
A119CB2	24-33-00	131984-5
A119CB3	24-33-00	131984-5
A119CB4	24-33-00	131984-1

Reference Designator	GAMA/ATA Code	Part Number
A119CB5	24-33-00	131984-5
A119CB6	24-33-00	131984-5
A119CB7	24-33-00	131984-5
A119CB8	24-33-00	131984-5
A119CB9	24-33-00	131984-5
A119CR1	24-33-00	60HQ100
A119CR2	24-33-00	60HQ100
A119J1	24-33-00	MS3452L28-11P
A119W1	24-33-00	122-361014-65
A120	24-33-00	101-381008-7
A121	24-31-02	122-361013-77
A121CB1	24-31-02	131984-15
A121CB2	24-31-02	131984-7
A121CB3	24-31-02	131981-7
A121CB4	24-31-02	131984-10
A121CB5	24-31-02	131984-7
A121CB6	24-31-02	131984-10
A121J1	24-31-02	207018-1
A121W1	24-31-02	122-361014-21
A122	24-31-01	122-361013-41
A122	24-31-01	122-361013-41
A122CB1	24-31-01	131984-15
A122CB1	24-31-01	131984-15
A122CB2	24-31-01	131984-7
A122CB2	24-31-01	131984-7
A122CB3	24-31-01	131984-7
A122CB4	24-31-01	131984-10
A122CB4	24-31-01	131984-10
A122CB5	24-31-01	131984-7
A122CB5	24-31-01	131984-7
A122CB6	24-31-01	131984-10
A122CB6	24-31-01	131984-10
A122J1	24-31-01	207018-1
A122J1	24-31-01	207018-1
A122W1	24-31-01	122-361014-21
A122W1	24-31-01	122-361014-21
A125	24-33-00	122-364182-7
A125J1	24-33-00	DBM25PD
A126	24-34-01	122-364173-17
A126	24-34-02	122-364173-17
A126J1	24-34-01	DDM50PD
A126J1	24-34-02	DDM50PD
A127	24-41-00	122-364030-5
A127	24-41-01	122-364030-5
A127	30-42-00	122-364030-5
A127J1	24-41-00	DBM25PD
A127J1	24-41-01	DBM25PD
A127J1	30-42-00	DBM25PD
A128	24-56-00	122-364064-13
A128CR1	24-56-00	100-361045-1
A128CR2	24-56-00	1N4007
A128CR3	24-56-00	1N4007
A128CR4	24-56-00	100-361045-1
A128J1	24-56-00	MS3472L14-12P
A128K1	24-56-00	6041H220
A128K2	24-56-00	50-380048-1
A128K3	24-56-00	50-380048-1
A128K4	24-56-00	6041H220

Beechcraft  
**STARSHIP 1**  
**WIRING DIAGRAM MANUAL**  
*REFERENCE DESIGNATOR INDEX (CONTINUED)*

Reference Designator	GAMA/ATA Code	Part Number
A129	21-51-00	122-364131-19
A129	21-51-00	122-364131-19
A129	91-26-00	122-364131-19
A129CR1	74-11-02	1N4007
A129CR10	28-21-02	1N4007
A129CR11	61-23-00	1N4007
A129CR12	61-23-00	1N4007
A129CR13	32-62-00	1N4007
A129CR14	32-62-00	1N4007
A129CR2	74-11-02	1N4007
A129CR3	74-11-01	1N4007
A129CR4	74-11-01	1N4007
A129CR7	28-21-02	1N4007
A129CR8	28-21-02	1N4007
A129CR9	28-21-02	1N4007
A129J1A	91-24-00	RME2R67P67P-5001
A129J1B	91-25-00	RME2R67P67P-5001
A129J10	61-22-01	451120-051
A129J11	32-43-01	451120-051
A129J12	74-11-02	451120-051
A129J13	74-11-02	451120-051
A129J15	21-61-01	451120-051
A129J16	26-21-01	451120-051
A129J18	26-21-02	451120-051
A129J19	61-23-00	451120-051
A129J2A	91-26-00	RME2R67P26P-5002
A129J2B	91-27-00	RME2R67P26P-5002
A129J20	61-23-00	451120-051
A129J21	61-23-00	451120-051
A129J23	32-62-00	451120-051
A129J25	33-17-05	451120-051
A129J26	32-31-01	451120-051
A129J3	74-11-01	451120-051
A129J31	33-43-00	451120-051
A129J32	21-51-00	451120-051
A129J32	21-51-00	451120-051
A129J33	32-61-00	451116-162
A129J34	32-61-00	451116-162
A129J35	24-36-00	451120-051
A129J36	24-36-00	451120-051
A129J4	74-11-01	451120-051
A129J5	28-21-02	451116-162
A129J6	28-21-02	451116-162
A129J7	61-22-02	451120-051
A129J8	61-22-02	451120-051
A129J9	61-22-01	451120-051
A129K1	24-36-00	M6106/27-023
A129K10	61-22-01	M6106/27-023
A129K11	32-43-01	M6106/27-023
A129K12	74-11-02	M6106/27-023
A129K13	74-11-02	M6106/27-023
A129K15	21-61-01	M6106/27-023
A129K16	26-21-01	M6106/27-023
A129K18	26-21-02	M6106/27-023
A129K19	61-23-00	M6106/27-023
A129K2	24-36-00	M6106/27-023
A129K20	61-23-00	M6106/27-023
A129K21	61-23-00	M6106/27-023

Reference Designator	GAMA/ATA Code	Part Number
A129K23	32-62-00	M6106/27-023
A129K25	33-17-05	M6106/27-023
A129K26	32-31-01	M6106/27-023
A129K3	74-11-01	M6106/27-023
A129K31	33-43-00	M6106/27-023
A129K32	21-51-00	M6106/27-023
A129K32	21-51-00	M6106/27-023
A129K33	32-61-00	MS27743-18
A129K34	32-61-00	MS27743-18
A129K4	74-11-01	M6106/27-023
A129K5	28-21-02	MS27743-18
A129K6	28-21-02	MS27743-18
A129K7	61-22-02	M6106/27-023
A129K8	61-22-02	M6106/27-023
A129K9	61-22-01	M6106/27-023
A129R1	61-23-00	RE75G24R9
A129R2	61-23-00	RE75G24R9
A129R3	61-23-00	RE75G24R9
A129R4	61-23-00	RE75G24R9
A130	91-37-00	122-364038-5
A130J1	91-37-00	DDM50PD
A133	21-51-00	122-364054-13
A133	21-51-00	122-364054-13
A134	91-39-00	122-364156-1
A134J1	91-39-00	DDM50PD
A134K1	61-22-01	M39016/6-209L
A134K2	61-22-01	M39016/6-209L
A134K3	31-21-00	M39016/6-209L
A134K4	31-21-00	M39016/6-209L
A134K5	33-44-00	M39016/6-209L
A135	31-51-01	122-364180-1
A135J1	31-51-01	DDM50PD
A137	31-51-02	122-364139-5
A137J1	31-51-02	DDM50PD
A142	32-31-01	122-364028-11
A142	32-31-01	122-364028-27
A142J1	32-31-01	DBM25PD
A143	32-31-01	122-380014-9
A144	27-50-01	122-364166-9
A144	27-50-01	122-364166-9
A144J1	27-50-01	DDM50PD
A144J1	27-50-01	DDM50PD
A145	27-50-01	122-382034-13
A145	27-50-01	122-382034-13
A146	32-61-00	122-382034-11
A150	79-30-00	MS25041-7-327
A150S2	79-30-00	P1-32112
A151	79-30-00	MS25041-7-327
A151S2	79-30-00	P1-32112
A156	91-23-00	122-322207-9
A156R1	30-81-00	RCR20G472JS
A156R2	30-81-00	RCR20G472JS
A161	32-31-01	122-364028-21
A161	32-31-02	122-364028-21
A161	32-61-00	122-364028-21
A161J2	32-31-01	DDM50PD
A161J2	32-31-02	DDM50PD
A163	33-10-01	122-364176-1

**Beechcraft**  
**STARSHIP 1**  
**WIRING DIAGRAM MANUAL**

*REFERENCE DESIGNATOR INDEX (CONTINUED)*

Reference Designator	GAMA/ATA Code	Part Number
A163J1	33-10-01	DDM50PD
A164	24-54-04	122-361013-55
A164	24-54-04	122-361013-55
A164CB1	24-54-04	131984-7
A164CB1	24-54-04	131984-7
A164CB10	24-54-04	131984-5
A164CB10	24-54-04	131984-5
A164CB11	24-54-04	131984-5
A164CB11	24-54-04	131984-5
A164CB12	24-54-04	131984-5
A164CB12	24-54-04	131984-5
A164CB13	24-54-04	131984-5
A164CB13	24-54-04	131984-5
A164CB14	24-54-04	131984-5
A164CB14	24-54-04	131984-5
A164CB15	24-54-04	131984-5
A164CB15	24-54-04	131984-5
A164CB16	24-54-04	131984-7
A164CB16	24-54-04	131984-7
A164CB17	24-54-04	131984-5
A164CB17	24-54-04	131984-5
A164CB18	24-54-04	131984-7
A164CB18	24-54-04	131984-7
A164CB19	24-54-04	131984-15
A164CB19	24-54-04	131984-15
A164CB2	24-54-04	131984-5
A164CB2	24-54-04	131984-5
A164CB20	24-54-04	131984-5
A164CB20	24-54-04	131984-5
A164CB21	24-54-04	131984-7
A164CB21	24-54-04	131984-7
A164CB23	24-54-04	131984-5
A164CB23	24-54-04	131984-5
A164CB24	24-54-04	131984-15
A164CB24	24-54-04	131984-15
A164CB27	24-54-04	131984-15
A164CB27	24-54-04	131984-15
A164CB28	24-54-04	131984-5
A164CB28	24-54-04	131984-5
A164CB3	24-54-04	131984-5
A164CB3	24-54-04	131984-5
A164CB4	24-54-04	131984-5
A164CB4	24-54-04	131984-5
A164CB5	24-54-04	131984-7
A164CB5	24-54-04	131984-7
A164CB6	24-54-04	131984-5
A164CB6	24-54-04	131984-5
A164CB7	24-54-04	131984-5
A164CB7	24-54-04	131984-5
A164CB9	24-54-04	131984-5
A164CB9	24-54-04	131984-5
A164CR3	24-54-04	122-380062-1
A164CR3	24-54-04	122-380062-1
A164CR4	24-54-04	122-380062-1
A164CR4	24-54-04	122-380062-1
A164CR5	24-54-04	122-380062-1
A164CR5	24-54-04	122-380062-1
A164CR6	24-54-04	1N4007

Reference Designator	GAMA/ATA Code	Part Number
A164CR6	24-54-04	1N4007
A164GS1	24-54-04	13270-1
A164GS1	24-54-04	13270-1
A164GS2	24-54-04	131270-1
A164GS2	24-54-04	131270-1
A164GS3	24-54-04	131270-1
A164GS3	24-54-04	131270-1
A164J1	24-54-04	MS3472L20-41P
A164J1	24-54-04	MS3472L20-41P
A164K2	24-54-04	FCA-325-45
A164K2	24-54-04	FCA-325-45
A164TB1	24-54-04	MS27212-1-4
A164TB1	24-54-04	MS27212-1-4
A164W1	24-54-04	122-361014-75
A164W1	24-54-04	122-361014-75
A164W2	24-54-04	122-361014-73
A164W2	24-54-04	122-361014-73
A164W3	24-54-04	122-361014-21
A164W3	24-54-04	122-361014-21
A164W4	24-54-04	122-361014-35
A164W4	24-54-04	122-361014-35
A167	24-51-02	122-361019-15
A167	24-51-02	122-361019-15
A167CR1	24-51-02	85HF100
A167CR1	24-51-02	85HF100
A167CR2	24-51-02	85HF100
A167CR2	24-51-02	85HF100
A167CR3	24-51-02	85HF100
A167CR3	24-51-02	85HF100
A168	33-10-05	122-364148-3
A168A1	33-10-05	122-364149-5
A168CR1	33-10-05	V47ZA1
A168CR10	33-10-05	V47ZA1
A168CR11	33-10-05	V47ZA1
A168CR12	33-10-05	V47ZA1
A168CR13	33-10-05	V47ZA1
A168CR14	33-10-05	V47ZA1
A168CR15	33-10-05	V47ZA1
A168CR2	33-10-05	V47ZA1
A168CR3	33-10-05	V47ZA1
A168CR4	33-10-05	V47ZA1
A168CR5	33-10-05	V47ZA1
A168CR6	33-10-05	V47ZA1
A168CR7	33-10-05	V47ZA1
A168CR8	33-10-05	V47ZA1
A168CR9	33-10-05	V47ZA1
A168Q1	33-10-05	MJ11014
A168Q2	33-10-05	MJ11014
A168Q3	33-10-05	MJ11014
A168Q4	33-10-05	MJ11014
A168Q5	33-10-05	MJ11014
A168Q6	33-10-05	MJ11014
A169	33-17-01	122-384081-1
A169	33-17-15	122-384081-1
A169	33-17-15	122-384081-3
A169DS1	33-17-01	MS15570-303
A169DS1	33-17-15	MS15570-303
A169J1	33-17-01	207018-1

**Beechcraft**  
**STARSHIP 1**  
**WIRING DIAGRAM MANUAL**

*REFERENCE DESIGNATOR INDEX (CONTINUED)*

Reference Designator	GAMA/ATA Code	Part Number
A169J1	33-17-15	207018-1
A169S1	33-17-01	8940K1251
A169S1	33-17-15	8940K1251
A169S2	33-17-01	8940K1251
A169S2	33-17-15	8940K1251
A169S3	33-17-01	8940K1251
A169S3	33-17-15	8940K1251
A169S4	33-17-01	8940K1251
A169S4	33-17-15	8940K1251
A170	33-42-00	101-360021-15
A170DS1	33-42-00	A-2064-1683
A170J1	33-42-00	1-480350-0
A170P1	33-42-00	1-480349-0
A171	33-46-00	122-384078-1
A172	33-14-00	122-384077-3
A172DS1	33-14-00	1495
A172J1	33-14-00	1-480699-0
A173	33-14-00	122-384077-3
A173DS1	33-14-00	1495
A173J1	33-14-00	1-480699-0
A174	33-16-00	122-384083-3
A174DS1	33-16-00	1982
A174DS2	33-16-00	1982
A174J1	33-16-00	207359-1
A175	21-32-00	122-322172-1
A175	21-32-00	122-322172-1
A175CR1	21-32-00	1N4007
A175CR1	21-32-00	1N4007
A175CR2	21-32-00	1N4007
A175CR2	21-32-00	1N4007
A175CR3	21-32-00	1N4007
A175CR3	21-32-00	1N4007
A175CR4	21-32-00	1N4007
A175CR4	21-32-00	1N4007
A175CR5	21-32-00	1N4007
A175CR5	21-32-00	1N4007
A175CR6	21-32-00	1N4007
A175CR6	21-32-00	1N4007
A175CR7	21-32-00	1N4007
A175CR7	21-32-00	1N4007
A175J1	21-32-00	206036-3
A175J1	21-32-00	206036-3
A176	32-42-00	122-364060-9
A176	32-43-01	122-364060-9
A176	61-23-00	122-364060-9
A176J1	32-42-00	DBM25PD
A176J1	32-43-01	DBM25PD
A176J1	61-23-00	DBM25PD
A177	33-46-00	122-384078-2
A178	27-50-03	122-364165-25
A178	27-50-04	122-364165-25
A178	27-50-05	122-364165-25
A178A1	27-50-05	405FW504-B
A178A2	27-50-05	405FW504-B
A178A3	27-50-05	405FW504-B
A178A4	27-50-05	405FW504-B
A178J5	27-50-03	205560-2
A178J5	27-50-04	205560-2

Reference Designator	GAMA/ATA Code	Part Number
A178J5	27-50-05	205560-2
A178J6	27-50-03	205560-2
A178J6	27-50-04	205560-2
A178J6	27-50-05	205560-2
A178P1	27-50-05	582553-1
A178P2	27-50-05	582553-1
A178P3	27-50-05	582553-1
A178P4	27-50-05	582553-1
A178R1	27-50-05	RCR42G202JS
A178R2	27-50-05	RCR42G202JS
A178R3	27-50-05	RCR42G202JS
A178R4	27-50-05	RCR42G202JS
A180	27-50-04	122-364168-17
A180J1	27-50-04	DDM50PD
A181	27-50-03	122-364168-17
A181J1	27-50-03	DDM50PD
A182	91-40-00	122-364156-1
A182CR1	61-22-03	1N4007
A182CR10	61-22-03	1N4007
A182CR11	61-22-03	1N4007
A182CR2	61-22-03	1N4007
A182CR3	33-17-02	1N4007
A182CR3	33-17-13	1N4007
A182CR4	33-17-02	1N4007
A182CR4	33-17-13	1N4007
A182CR5	32-43-01	1N4007
A182CR6	32-43-01	1N4007
A182J1	91-40-00	DDM50PD
A182J1	91-40-00	DDM50PD
A182K1	61-22-03	M39016/6-209L
A182K2	33-17-02	M39016/6-209L
A182K2	33-17-13	M39016/6-209L
A182K3	32-43-01	M39016/6-209L
A182K4	33-44-00	M39016/6-209L
A182K5	61-22-03	M39016/6-209L
A187	21-31-01	122-540081-1
A187J1	21-31-01	1-480703-0
A193	27-31-01	169-380021-9
A196	27-31-02	169-380021-9
A199	27-31-02	C-04402-3
A201	32-43-02	122-580161-1
A201	32-43-02	122-580161-1
A201B1	32-43-02	122-388007-1
A201B1	32-43-02	122-388007-1
A201CR1	32-43-02	100-361045-1
A201CR1	32-43-02	100-361045-1
A201CR2	32-43-02	100-361045-3
A201CR2	32-43-02	100-361045-3
A201CR3	32-43-02	100-361045-3
A201CR3	32-43-02	100-361045-3
A201CR4	32-43-02	1N4007
A201E1	32-43-02	114-388011-1
A201E1	32-43-02	114-388011-1
A201E2	32-43-02	38-755-2
A201E2	32-43-02	38-755-2
A201J1	32-43-02	MS3470L14-12P
A201J1	32-43-02	MS3470L14-12P
A201K1	32-43-02	109-381002-1

**Beechcraft**  
**STARSHIP 1**  
**WIRING DIAGRAM MANUAL**  
**REFERENCE DESIGNATOR INDEX (CONTINUED)**

Reference Designator	GAMA/ATA Code	Part Number
A201K1	32-43-02	109-381002-1
A201K2	32-43-02	50-380048-1
A201S1	32-43-02	114-388006-5
A201S1	32-43-02	114-388006-5
A201S2	32-43-02	114-388006-3
A201S2	32-43-02	114-388006-3
A201TB1	32-43-02	MS27212-1-9
A201TB1	32-43-02	MS27212-1-9
A207	32-43-01	42-871-1
A208	27-31-02	122-364204-1
A208J1	27-31-02	MS3471L10-6P
A211	91-42-00	122-364156-1
A211CR10	33-17-02	1N4007
A211CR10	33-17-13	1N4007
A211CR11	33-17-02	1N4007
A211CR11	33-17-13	1N4007
A211J1	91-42-00	DDM50PD
A211K1	27-31-01	M39016/6-209L
A211K2	27-31-03	M39016/6-209L
A211K3	27-31-03	M39016/6-209L
A211K4	21-31-01	M39016/6-209L
A211K5	33-17-02	M39016/6-209L
A211K5	33-17-13	M39016/6-209L
A215	30-10-01	122-364208-1
A215	30-10-02	122-364208-1
A215J1	30-10-02	DDM50PD
A215J2	30-10-01	DCM37PD
A219	27-31-02	122-364195-1
A221	25-22-00	122-384108-1
A221	25-22-00	122-384108-23
A221J1	25-22-00	206153-1
A222	30-10-01	122-364203-23
A227	33-17-11	122-530359-609
A227	33-17-14	122-530359-609
A227	33-22-01	122-530359-609
A227J1	33-17-11	207018-1
A227J1	33-17-14	207018-1
A227J1	33-22-01	207018-1
A227J1A	33-17-11	66103-4
A227J1A	33-17-14	66103-4
A227J1A	33-22-01	66103-4
A227M1	33-17-14	AML41GBA2
A227M1A	33-17-14	AML51-F40R-SMK
A227M1DS1	33-17-14	#85
A227M1DS2	33-17-14	#85
A227M2	33-17-14	AML41GBA2
A227M2A	33-17-14	AML51-F40R-FSB
A227M2DS1	33-17-14	#85
A227M2DS2	33-17-14	#85
A227S1	33-17-11	AML24EB2AC01
A227S1	33-17-14	AML24EB2AC01
A227S1A	33-17-11	AML54-F20K-R
A227S1A	33-17-14	AML54-F20K-R
A228	33-17-11	122-530359-609
A228	33-17-14	122-530359-609
A228	33-22-01	122-530359-609
A228J1	33-17-11	207018-1
A228J1	33-17-14	207018-1

Reference Designator	GAMA/ATA Code	Part Number
A228J1	33-22-01	207018-1
A228J1A	33-17-11	66103-4
A228J1A	33-17-14	66103-4
A228J1A	33-22-01	66103-4
A228M1	33-17-14	AML41GBA2
A228M1A	33-17-14	AML51-F40R-SMK
A228M1DS1	33-17-14	#85
A228M1DS2	33-17-14	#85
A228M2	33-17-14	AML41GBA2
A228M2A	33-17-14	AML51-F40R-FSB
A228M2DS1	33-17-14	#85
A228M2DS2	33-17-14	#85
A228S1	33-17-11	AML24EB2AC01
A228S1	33-17-14	AML24EB2AC01
A228S1A	33-17-11	AML54-F20K-R
A228S1A	33-17-14	AML54-F20K-R
A229	33-17-11	122-530359-609
A229	33-17-14	122-530359-609
A229	33-22-01	122-530359-609
A229J1	33-17-11	207018-1
A229J1	33-17-14	207018-1
A229J1	33-22-01	207018-1
A229J1A	33-17-11	66103-4
A229J1A	33-17-14	66103-4
A229J1A	33-22-01	66103-4
A229M1	33-17-14	AML41GBA2
A229M1A	33-17-14	AML51-F40R-SMK
A229M1DS1	33-17-14	#85
A229M1DS2	33-17-14	#85
A229M2	33-17-14	AML41GBA2
A229M2A	33-17-14	AML51-F40R-FSB
A229M2DS1	33-17-14	#85
A229M2DS2	33-17-14	#85
A229S1	33-17-11	AML24EB2AC01
A229S1	33-17-14	AML24EB2AC01
A229S1A	33-17-11	AML54-F20K-R
A229S1A	33-17-14	AML54-F20K-R
A230	33-17-12	122-530359-609
A230	33-17-14	122-530359-609
A230	33-22-01	122-530359-609
A230J1	33-17-12	207018-1
A230J1	33-17-14	207018-1
A230J1	33-22-01	207018-1
A230J1A	33-17-12	66103-4
A230J1A	33-17-14	66103-4
A230J1A	33-22-01	66103-4
A230M1	33-17-14	AML41GBA2
A230M1A	33-17-14	AML51-F40R-SMK
A230M1DS1	33-17-14	#85
A230M1DS2	33-17-14	#85
A230M2	33-17-14	AML41GBA2
A230M2A	33-17-14	AML51-F40R-FSB
A230M2DS1	33-17-14	#85
A230M2DS2	33-17-14	#85
A230S1	33-17-12	AML24EB2AC01
A230S1	33-17-14	AML24EB2AC01
A230S1A	33-17-12	AML54-F20K-R
A230S1A	33-17-14	AML54-F20K-R

# Beechcraft

## STARSHIP 1

### WIRING DIAGRAM MANUAL

#### REFERENCE DESIGNATOR INDEX (CONTINUED)

Reference Designator	GAMA/ATA Code	Part Number
A231	33-17-12	122-530359-609
A231	33-17-14	122-530359-609
A231	33-22-01	122-530359-609
A231J1	33-17-12	207018-1
A231J1	33-17-14	207018-1
A231J1	33-22-01	207018-1
A231J1A	33-17-12	66103-4
A231J1A	33-17-14	66103-4
A231J1A	33-22-01	66103-4
A231M1	33-17-14	AML41GBA2
A231M1A	33-17-14	AML51-F40R-SMK
A231M1DS1	33-17-14	#85
A231M1DS2	33-17-14	#85
A231M2	33-17-14	AML41GBA2
A231M2A	33-17-14	AML51-F40R-FSB
A231M2DS1	33-17-14	#85
A231M2DS2	33-17-14	#85
A231S1	33-17-12	AML24EB2AC01
A231S1	33-17-14	AML24EB2AC01
A231S1A	33-17-12	AML54-F20K-R
A231S1A	33-17-14	AML54-F20K-R
A232	33-17-12	122-530359-609
A232	33-17-14	122-530359-609
A232	33-22-01	122-530359-609
A232J1	33-17-12	207018-1
A232J1	33-17-14	207018-1
A232J1	33-22-01	207018-1
A232J1A	33-17-12	66103-4
A232J1A	33-17-14	66103-4
A232J1A	33-22-01	66103-4
A232M1	33-17-14	AML41GBA2
A232M1A	33-17-14	AML51-F40R-SMK
A232M1DS1	33-17-14	#85
A232M1DS2	33-17-14	#85
A232M2	33-17-14	AML41GBA2
A232M2A	33-17-14	AML51-F40R-FSB
A232M2DS1	33-17-14	#85
A232M2DS2	33-17-14	#85
A232S1	33-17-12	AML24EB2AC01
A232S1	33-17-14	AML24EB2AC01
A232S1A	33-17-12	AML54-F20K-R
A232S1A	33-17-14	AML54-F20K-R
A233	33-18-01	122-530371
A233CR1	33-18-01	1N4007
A233CR2	33-18-01	1N4007
A233DS1	33-18-01	2520-10
A233J1	33-18-01	207359-1
A233S1	33-18-01	J20125-31
A234	21-51-00	122-364218
A234J1	21-51-00	207153-1
A234J1	21-51-00	202-102 (RED)
A234J2	21-51-00	202-103 (BLK)
A234J3	21-51-00	202-102 (RED)
A234S1	21-51-00	114-555067-3
A234S2	21-51-00	60015BOM-8
A236	33-18-01	122-530371
A236CR1	33-18-01	1N4007
A236CR2	33-18-01	1N4007

Reference Designator	GAMA/ATA Code	Part Number
A236DS1	33-18-01	2520-10
A236J1	33-18-01	207359-1
A236S1	33-18-01	J20125-31
A237	33-17-05	122-530279-601
A237	33-17-08	122-530279-601
A237	33-21-00	122-530279-601
A237	33-22-01	122-530279-601
A237J1	33-17-05	207443-1
A237J1	33-17-08	207443-1
A237J1	33-21-00	207443-1
A237J1	33-22-01	207443-1
A237J1A	33-17-08	66103-4
A237M1	33-17-08	AML41GBA2
A237M1A	33-17-08	AML51-F40R-SMK
A237M1DS1	33-17-08	#85
A237M1DS2	33-17-08	#85
A237M2	33-17-08	AML41GBA2
A237M2A	33-17-08	AML51-F40R-FSB
A237M2DS1	33-17-08	#85
A237M2DS2	33-17-08	#85
A237S1	33-17-08	AML24EB2AC05
A237S1A	33-17-08	AML54-F20K-W
A237S2	33-17-08	AML24EB2AC01
A237S2A	33-17-08	AML54-F20K-R
A238	33-17-05	122-530279-601
A238	33-17-08	122-530279-601
A238	33-21-00	122-530279-601
A238	33-22-01	122-530279-601
A238J1	33-17-05	207443-1
A238J1	33-17-08	207443-1
A238J1	33-21-00	207443-1
A238J1	33-22-01	207443-1
A238J1A	33-17-08	66103-4
A238M1	33-17-08	AML41GBA2
A238M1A	33-17-08	AML51-F40R-SMK
A238M1DS1	33-17-08	#85
A238M1DS2	33-17-08	#85
A238M2	33-17-08	AML41GBA2
A238M2A	33-17-08	AML51-F40R-FSB
A238M2DS1	33-17-08	#85
A238M2DS2	33-17-08	#85
A238S1	33-17-08	AML24EB2AC05
A238S1A	33-17-08	AML54-F20K-W
A238S2	33-17-08	AML24EB2AC01
A238S2A	33-17-08	AML54-F20K-R
A239	33-17-05	122-530279-601
A239	33-17-08	122-530279-601
A239	33-21-00	122-530279-601
A239	33-22-01	122-530279-601
A239J1	33-17-05	207443-1
A239J1	33-17-08	207443-1
A239J1	33-21-00	207443-1
A239J1	33-22-01	207443-1
A239J1A	33-17-08	66103-4
A239M1	33-17-08	AML41GBA2
A239M1A	33-17-08	AML51-F40R-SMK
A239M1DS1	33-17-08	#85
A239M1DS2	33-17-08	#85



**Beechcraft**  
**STARSHIP 1**  
**WIRING DIAGRAM MANUAL**

*REFERENCE DESIGNATOR INDEX (CONTINUED)*

Reference Designator	GAMA/ATA Code	Part Number
A239M2	33-17-08	AML41GBA2
A239M2A	33-17-08	AML51-F40R-FSB
A239M2DS1	33-17-08	#85
A239M2DS2	33-17-08	#85
A239S1	33-17-08	AML24EB2AC05
A239S1A	33-17-08	AML54-F20K-W
A239S2	33-17-08	AML24EB2AC01
A239S2A	33-17-08	AML54-F20K-R
A240	33-17-05	122-530279-601
A240	33-17-08	122-530279-601
A240	33-21-00	122-530279-601
A240	33-22-01	122-530279-601
A240J1	33-17-05	207443-1
A240J1	33-17-08	207443-1
A240J1	33-21-00	207443-1
A240J1	33-22-01	207443-1
A240J1A	33-17-08	66103-4
A240M1	33-17-08	AML41GBA2
A240M1A	33-17-08	AML51-F40R-SMK
A240M1DS1	33-17-08	#85
A240M1DS2	33-17-08	#85
A240M2	33-17-08	AML41GBA2
A240M2A	33-17-08	AML51-F40R-FSB
A240M2DS1	33-17-08	#85
A240M2DS2	33-17-08	#85
A240S1	33-17-08	AML24EB2AC05
A240S1A	33-17-08	AML54-F20K-W
A240S2	33-17-08	AML24EB2AC01
A240S2A	33-17-08	AML54-F20K-R
A241	33-17-05	122-530279-601
A241	33-17-08	122-530279-601
A241	33-21-00	122-530279-601
A241	33-22-01	122-530279-601
A241J1	33-17-05	207443-1
A241J1	33-17-08	207443-1
A241J1	33-21-00	207443-1
A241J1	33-22-01	207443-1
A241J1A	33-17-08	66103-4
A241M1	33-17-08	AML41GBA2
A241M1A	33-17-08	AML51-F40R-SMK
A241M1DS1	33-17-08	#85
A241M1DS2	33-17-08	#85
A241M2	33-17-08	AML41GBA2
A241M2A	33-17-08	AML51-F40R-FSB
A241M2DS1	33-17-08	#85
A241M2DS2	33-17-08	#85
A241S1	33-17-08	AML24EB2AC05
A241S1A	33-17-08	AML54-F20K-W
A241S2	33-17-08	AML24EB2AC01
A241S2A	33-17-08	AML54-F20K-R
A242	33-17-05	122-530279-601
A242	33-17-08	122-530279-601
A242	33-21-00	122-530279-601
A242	33-22-01	122-530279-601
A242J1	33-17-05	207443-1
A242J1	33-17-08	207443-1
A242J1	33-21-00	207443-1
A242J1	33-22-01	207443-1

Reference Designator	GAMA/ATA Code	Part Number
A242J1A	33-17-08	66103-4
A242M1	33-17-08	AML41GBA2
A242M1A	33-17-08	AML51-F40R-SMK
A242M1DS1	33-17-08	#85
A242M1DS2	33-17-08	#85
A242M2	33-17-08	AML41GBA2
A242M2A	33-17-08	AML51-F40R-FSB
A242M2DS1	33-17-08	#85
A242M2DS2	33-17-08	#85
A242S1	33-17-08	AML24EB2AC05
A242S1A	33-17-08	AML54-F20K-W
A242S2	33-17-08	AML24EB2AC01
A242S2A	33-17-08	AML54-F20K-R
A243	33-17-05	122-530279-601
A243	33-17-08	122-530279-601
A243	33-21-00	122-530279-601
A243	33-22-01	122-530279-601
A243J1	33-17-05	207443-1
A243J1	33-17-08	207443-1
A243J1	33-21-00	207443-1
A243J1	33-22-01	207443-1
A243J1A	33-17-08	66103-4
A243M1	33-17-08	AML41GBA2
A243M1A	33-17-08	AML51-F40R-SMK
A243M1DS1	33-17-08	#85
A243M1DS2	33-17-08	#85
A243M2	33-17-08	AML41GBA2
A243M2A	33-17-08	AML51-F40R-FSB
A243M2DS1	33-17-08	#85
A243M2DS2	33-17-08	#85
A243S1	33-17-08	AML24EB2AC05
A243S1A	33-17-08	AML54-F20K-W
A243S2	33-17-08	AML24EB2AC01
A243S2A	33-17-08	AML54-F20K-R
A244	33-17-05	122-530279-601
A244	33-17-08	122-530279-601
A244	33-21-00	122-530279-601
A244	33-22-01	122-530279-601
A244J1	33-17-05	207443-1
A244J1	33-17-08	207443-1
A244J1	33-21-00	207443-1
A244J1	33-22-01	207443-1
A244J1A	33-17-08	66103-4
A244M1	33-17-08	AML41GBA2
A244M1A	33-17-08	AML51-F40R-SMK
A244M1DS1	33-17-08	#85
A244M1DS2	33-17-08	#85
A244M2	33-17-08	AML41GBA2
A244M2A	33-17-08	AML51-F40R-FSB
A244M2DS1	33-17-08	#85
A244M2DS2	33-17-08	#85
A244S1	33-17-08	AML24EB2AC05
A244S1A	33-17-08	AML54-F20K-W
A244S2	33-17-08	AML24EB2AC01
A244S2A	33-17-08	AML54-F20K-R
BS101	24-35-00	MS25083-2BB5
BS102	24-35-00	122-361003-51
B101	30-21-01	114-389039-23

Beechcraft  
**STARSHIP 1**  
**WIRING DIAGRAM MANUAL**  
*REFERENCE DESIGNATOR INDEX (CONTINUED)*

Reference Designator	GAMA/ATA Code	Part Number
B102	30-21-02	114-389039-23
B105	28-21-01	122-920051-43
B106	28-21-01	122-920051-43
B107	32-51-00	122-380034-3
B108	21-51-00	122-380020-11
B108	21-51-00	122-380020-13
B108	21-51-00	122-380020-13
B108J1	21-51-00	MS3112E8-4P
B108J1	21-51-00	MS3112E8-4P
B109	21-21-00	122-380035-5
B110	21-21-00	122-380035-5
B112	21-21-00	122-380024-5
B113	30-41-00	122-382118-1
B114	30-41-00	122-382118-2
B115	33-21-00	1616E018SLT
B116	33-21-00	1616E018SLT
B117	33-21-00	1616E018SLT
B118	33-21-00	1616E018SLT
B119	33-21-00	1616E018SLT
B120	33-21-00	1616E018SLT
B121	33-21-00	1616E018SLT
B122	33-21-00	1616E018SLT
B123	33-21-00	1616E018SLT
B124	33-21-00	1616E018SLT
CB101	24-54-01	131984-15
CB101	30-31-00	131984-15
CB102	24-54-02	131984-5
CB102	32-62-00	131984-5
CB103	24-54-02	131984-5
CB103	32-61-00	131984-5
CB104	24-54-03	131984-5
CB104	24-54-03	131984-5
CB104	24-54-03	131984-5
CB104	31-51-07	131984-5
CB105	24-54-03	131984-5
CB105	24-54-03	131984-5
CB105	24-54-03	131984-5
CB105	31-51-07	131984-5
CB106	24-54-03	131984-5
CB106	24-54-03	131984-5
CB106	24-54-03	131984-5
CB106	31-51-07	131984-5
CB107	24-54-03	131984-5
CB107	24-54-03	131984-5
CB107	24-54-03	131984-5
CB107	31-51-07	131984-5
CB108	24-54-03	131984-5
CB108	24-54-03	131984-5
CB108	24-54-03	131984-5
CB108	31-51-07	131984-5
CB110	24-54-02	131984-5
CB110	30-21-01	131984-5
CB111	24-54-01	131984-5
CB111	61-22-01	131984-5
CB112	24-54-02	131984-5
CB112	27-31-02	131984-5
CB113	24-54-02	131984-5
CB113	80-11-00	131984-5

Reference Designator	GAMA/ATA Code	Part Number
CB114	21-32-00	131984-7
CB114	21-32-00	131984-7
CB114	24-54-01	131984-7
CB115	24-54-02	131984-5
CB115	79-34-00	131984-5
CB117	24-54-02	131984-5
CB117	79-34-00	131984-5
CB119	24-54-05	131984-5
CB119	33-10-04	131984-5
CB120	24-54-02	131984-5
CB120	80-11-00	131984-5
CB122	21-31-01	131984-5
CB122	24-54-02	131984-5
CB123	24-54-02	131984-5
CB123	35-10-00	131984-5
CB125	21-31-01	131984-5
CB125	24-54-02	131984-5
CB128	24-54-02	131984-5
CB128	30-21-02	131984-5
CB129	24-34-01	131984-5
CB129	24-54-02	131984-5
CB130	24-31-01	131984-5
CB130	24-31-01	131984-5
CB130	24-54-02	131984-5
CB131	24-34-01	131984-5
CB131	24-54-02	131984-5
CB133	24-54-02	131984-5
CB133	32-31-01	131984-5
CB134	24-54-02	131984-5
CB134	27-50-01	131984-5
CB134	27-50-01	131984-5
CB137	24-54-01	131984-10
CB138	24-54-02	131984-5
CB138	33-19-00	131984-5
CB139	24-54-05	131984-15
CB139	33-44-00	131984-5
CB140	24-54-02	131984-5
CB140	28-22-01	131984-5
CB141	24-54-05	131984-5
CB141	33-10-03	131984-5
CB141	33-10-03	131984-5
CB144	24-54-01	131984-5
CB144	30-21-01	131984-5
CB145	24-54-02	131984-5
CB145	28-44-00	131984-5
CB147	24-54-03	131984-5
CB147	24-54-03	131984-5
CB147	24-54-03	131984-5
CB147	31-51-07	131984-5
CB148	24-54-01	131984-15
CB148	30-31-00	131984-15
CB150	24-54-02	131984-5
CB150	28-22-02	131984-5
CB151	24-54-01	131984-5
CB151	61-24-00	131984-5
CB151	61-24-00	131984-5
CB152	21-32-00	131984-7
CB152	21-32-00	131984-7

**Beechcraft**  
**STARSHIP 1**  
**WIRING DIAGRAM MANUAL**  
*REFERENCE DESIGNATOR INDEX (CONTINUED)*

Reference Designator	GAMA/ATA Code	Part Number
CB152	24-54-02	131984-7
CB153	24-54-01	131984-5
CB153	30-21-02	131984-5
CB156	24-54-02	131984-5
CB156	28-21-02	131984-5
CB157	24-54-02	131984-5
CB157	33-19-00	131984-5
CB158	24-54-02	131984-5
CB158	28-44-00	131984-5
CB160	24-54-05	131984-7
CB160	33-10-04	131984-7
CB161	24-54-01	131984-5
CB161	32-42-00	131984-5
CB162	24-54-02	131984-15
CB162	28-21-02	131984-15
CB163	24-54-01	131984-5
CB163	76-21-02	131984-5
CB164	24-54-02	131984-15
CB164	28-21-02	131984-15
CB165	24-54-01	131984-5
CB165	76-21-01	131984-5
CB167	24-54-02	131984-5
CB167	74-11-01	131984-5
CB168	24-54-02	131984-5
CB168	34-10-00	131984-5
CB170	24-54-01	131984-5
CB170	28-11-00	131984-5
CB171	24-54-05	131984-15
CB171	33-44-00	131984-15
CB172	24-54-05	131984-10
CB172	33-10-04	131984-10
CB173	24-54-01	131984-7
CB173	27-31-02	131984-7
CB174	24-54-01	131984-5
CB174	28-11-00	131984-5
CB175	24-54-01	131984-5
CB175	30-42-00	131984-5
CB176	24-54-01	131984-5
CB176	30-43-00	131984-5
CB177	24-54-01	131984-5
CB177	30-42-00	131984-5
CB178	24-54-01	131984-5
CB178	79-32-00	131984-5
CB179	24-54-02	131984-5
CB179	28-43-00	131984-5
CB180	24-54-01	131984-5
CB180	79-32-00	131984-5
CB181	24-54-02	131984-5
CB181	28-43-00	131984-5
CB182	24-54-02	131984-5
CB182	27-50-01	131984-5
CB182	27-50-01	131984-5
CB188	24-54-02	131984-5
CB188	26-11-00	131984-5
CB189	24-54-02	131984-5
CB189	26-11-00	131984-5
CB190	24-54-02	131984-5
CB190	79-33-00	131984-5

Reference Designator	GAMA/ATA Code	Part Number
CB191	24-54-02	131984-5
CB191	79-33-00	131984-5
CB196	24-54-05	131984-7
CB196	33-10-04	131984-7
CB197	24-54-02	131984-5
CB197	74-11-02	131984-5
CB198	24-54-02	131984-5
CB198	26-12-00	131984-5
CB201	32-31-01	160-012-60
CB208	24-41-00	131984-7
CB208	24-41-01	131984-7
CB209	24-41-00	131984-5
CB209	24-41-01	131984-5
CB210	24-54-03	131984-10
CB210	24-54-03	131984-10
CB210	24-54-03	131984-10
CB211	24-54-03	131984-10
CB211	24-54-03	131984-10
CB211	24-54-03	131984-10
CB212	24-54-03	131984-10
CB212	24-54-03	131984-10
CB212	24-54-03	131984-10
CB213	24-54-03	131984-5
CB213	24-54-03	131984-5
CB213	24-54-03	131984-5
CB213	24-56-00	131984-5
CB214	24-54-03	700-001-50
CB214	24-54-03	700-001-50
CB214	24-54-03	700-001-50
CB215	24-54-03	131984-5
CB215	24-54-03	131984-5
CB215	24-54-03	131984-5
CB216	24-54-03	131984-10
CB216	24-54-03	131984-10
CB216	24-54-03	131984-10
CB217	24-54-03	700-001-50
CB217	24-54-03	700-001-50
CB217	24-54-03	700-001-50
CB219	24-54-02	131984-5
CB219	31-51-07	131984-5
CB220	24-54-02	131984-5
CB220	31-51-07	131984-5
CB225	24-54-01	131984-7
CB225	30-81-00	131984-7
CB226	24-54-01	131984-15
CB226	30-81-00	131984-15
CB227	24-54-02	131984-5
CB227	27-31-01	131984-5
CB231	24-51-01	131984-5
CB231	24-51-01	131984-5
CB231	24-51-01	131984-5
CB232	24-31-01	131984-5
CB232	24-31-01	131984-5
CB233	24-51-02	131984-5
CB233	24-51-02	131984-5
CB234	24-54-01	131984-7
CB234	27-31-01	131984-7
CB236	24-54-05	131984-15

Beechcraft  
**STARSHIP 1**  
**WIRING DIAGRAM MANUAL**  
*REFERENCE DESIGNATOR INDEX (CONTINUED)*

Reference Designator	GAMA/ATA Code	Part Number
CB236	33-44-00	131984-15
CB245	30-42-00	131984-15
CB246	30-43-00	131984-15
CB247	24-54-02	131984-5
CB247	28-45-00	131984-5
CB248	24-54-02	131984-5
CB248	27-50-01	131984-5
CB248	27-50-01	131984-5
CB249	24-54-02	131984-5
CB249	27-50-01	131984-5
CB249	27-50-01	131984-5
CB250	24-54-01	131984-5
CB251	21-31-01	131984-5
CB251	24-54-02	131984-5
CB254	24-54-02	131984-5
CB254	33-19-00	131984-5
CB255	24-54-02	131984-5
CB255	33-19-00	131984-5
CB256	24-54-02	131984-5
CB256	33-19-00	131984-5
CB257	24-54-02	131984-5
CB257	33-19-00	131984-5
CB258	24-54-03	131984-25
CB258	24-54-03	131984-25
CB258	24-54-03	131984-25
CB259	24-54-05	131984-15
CB259	33-44-00	131984-15
CB260	24-54-01	131984-7
CB260	30-81-00	131984-7
CB262	21-21-00	131984-5
CB262	24-54-01	131984-5
CB263	21-21-00	131984-5
CB263	24-54-01	131984-5
CB264	21-51-00	131984-5
CB264	21-51-00	131984-5
CB264	24-54-01	131984-5
CB265	24-54-01	131984-5
CB265	32-43-01	131984-5
CB267	24-54-02	131984-5
CB267	27-31-02	131984-5
CB268	24-54-02	131984-5
CB268	27-31-01	131984-5
CB270	24-54-01	131984-5
CB270	36-21-00	131984-5
CB272	24-54-01	131984-15
CB272	30-81-00	131984-15
CB274	24-54-01	131984-5
CB274	36-21-00	131984-5
CB276	24-54-02	131984-7
CB276	30-10-01	131984-7
CB277	24-54-01	131984-5
CB277	30-10-01	131984-5
CB278	24-54-05	131984-7
CB279	24-54-05	131984-7
CB280	24-54-05	131984-7
CB280	73-32-00	131984-7
CB280	73-32-00	131984-7
CB281	24-54-05	131984-7

Reference Designator	GAMA/ATA Code	Part Number
CB281	73-32-00	131984-7
CB281	73-32-00	131984-7
CB282	24-54-03	131984-7
CB282	24-54-03	131984-7
CB282	24-54-05	131984-5
CB288	24-54-05	131984-15
CB288	30-82-00	131984-15
CR101	32-31-01	100-361045-1
CR110	21-32-00	1N4007
CR110	21-32-00	1N4007
CR111	21-32-00	1N4007
CR111	21-32-00	1N4007
CR112	32-61-00	1N4007
CR113	32-61-00	1N4007
CR114	32-61-00	1N4007
CR115	28-21-01	1N4007
CR118	61-22-02	1N4007
CR119	61-22-01	1N4007
CR120	33-44-00	1N4007
CR122	32-51-00	1N4007
CR123	32-51-00	1N4007
CR125	61-23-00	1N4007
CR126	61-23-00	1.5KE51CA
CR127	24-41-00	100-361045-1
CR127	24-41-01	100-361045-1
CR128	61-23-00	1N4007
CR129	61-23-00	1N4007
CR131	30-21-02	1N4007
CR132	30-21-02	1N4007
CR133	30-21-01	1N4007
CR134	30-21-01	1N4007
CR135	34-10-00	1N4007
CR136	34-10-00	1N4007
CR149	24-34-01	1N4007
CR150	24-34-01	1N4007
CR152	30-21-01	1N4007
CR153	30-21-01	1N4007
CR154	30-21-02	1N4007
CR155	30-21-02	1N4007
CR158	30-43-00	100-361045-1
CR159	30-43-00	100-361045-1
CR160	30-42-00	100-361045-1
CR161	30-42-00	100-361045-1
CR162	30-42-00	100-361045-1
CR165	35-10-00	1N4007
CR167	27-50-02	100-361045-1
CR174	21-51-00	1.5KE51CA
CR174	21-51-00	1.5KE51CA
CR175	24-31-01	122-380062-5
CR175	24-31-01	122-380062-5
CR177	24-51-02	122-380062-5
CR177	24-51-02	122-380062-5
CR179	21-51-00	1N4007
CR179	21-51-00	1N4007
CR180	21-51-00	1N4007
CR180	21-51-00	1N4007
CR182	21-51-00	1N4007
CR182	21-51-00	1N4007

**Beechcraft**  
**STARSHIP 1**  
**WIRING DIAGRAM MANUAL**

*REFERENCE DESIGNATOR INDEX (CONTINUED)*

Reference Designator	GAMA/ATA Code	Part Number
CR183	30-31-00	122-380062-5
CR184	30-31-00	122-380062-5
CR189	24-54-03	122-380062-1
CR189	24-54-03	122-380062-1
CR189	24-54-03	122-380062-1
CR190	24-54-03	122-380062-1
CR190	24-54-03	122-380062-1
CR190	24-54-03	122-380062-1
CR191	24-54-03	122-380062-1
CR191	24-54-03	122-380062-1
CR191	24-54-03	122-380062-1
CR191	24-54-03	122-380062-1
CR192	24-54-03	122-380062-1
CR192	24-54-03	122-380062-1
CR192	24-54-03	122-380062-1
CR193	24-54-03	122-380062-1
CR193	24-54-03	122-380062-1
CR193	24-54-03	122-380062-1
CR194	24-54-03	122-380062-1
CR194	24-54-03	122-380062-1
CR194	24-54-03	122-380062-1
CR195	24-54-03	122-380062-1
CR195	24-54-03	122-380062-1
CR195	24-54-03	122-380062-1
CR198	80-11-00	1N4007
CR199	80-11-00	1N4007
CR212	24-54-01	122-380062-1
CR213	24-54-01	122-380062-1
CR214	24-54-01	122-380062-1
CR215	24-54-01	122-380062-1
CR216	24-54-01	122-380062-1
CR217	24-54-02	122-380062-1
CR218	24-54-02	122-380062-1
CR219	24-54-02	122-380062-1
CR220	24-54-02	122-380062-1
CR221	24-54-01	MR510
CR222	24-54-01	MR510
CR223	24-54-01	MR510
CR234	24-54-01	MR510
CR237	24-51-01	122-380062-5
CR237	24-51-01	122-380062-5
CR237	24-51-01	122-380062-5
CR242	30-31-00	1N4007
CR243	30-31-00	1N4007
CR244	33-44-00	1N4007
CR245	33-44-00	1N4007
CR251	21-21-00	1N4007
CR255	32-61-00	1N4007
CR257	28-21-02	1N4007
CR266	24-01-00	1N4007
CR267	24-01-00	1N4007
CR269	32-42-00	1N4007
CR270	32-42-00	1N4007
CR273	27-50-03	100-361045-1
CR274	27-50-04	100-361045-1
CR284	24-54-03	122-380062-1
CR284	24-54-03	122-380062-1
CR285	33-19-00	1N4007

Reference Designator	GAMA/ATA Code	Part Number
CR286	33-19-00	1N4007
CR290	24-56-00	1N4007
CR291	24-56-00	1N4007
CR292	33-44-00	1N4007
CR293	21-21-00	100-361045-1
CR294	21-21-00	100-361045-1
CR300	33-17-03	1N4007
CR301	33-17-03	1N4007
CR302	33-17-03	1N4007
CR303	33-17-03	1N4007
CR304	33-17-03	1N4007
CR305	33-17-03	1N4007
CR306	33-17-06	1N4007
CR307	33-17-06	1N4007
CR308	33-17-06	1N4007
CR309	33-17-06	1N4007
CR310	33-17-06	1N4007
CR311	33-17-06	1N4007
CR312	21-31-01	1N4007
CR401	27-50-02	1N4007
CR413	24-34-01	704-15K36
CR414	27-50-04	704-15K36
CR415	27-50-03	704-15K36
CR416	27-50-05	704-15K36
CR417	27-50-05	704-15K36
CR418	27-50-05	704-15K36
CR419	27-50-05	704-15K36
CR420	24-34-01	704-15K36
CR421	27-50-01	1N4007
CR421	27-50-01	1N4007
CR422	27-50-01	1N4007
CR422	27-50-01	1N4007
CR423	27-50-04	1N4007
CR424	27-50-03	1N4007
CR427	31-51-04	704-15K36
CR428	31-51-05	704-15K36
CR429	31-51-04	704-15K36
CR430	31-51-05	704-15K36
CR431	31-51-01	704-15K36
CR432	31-51-01	1N4007
CR441	33-10-06	1N4007
CR442	33-10-06	1N4007
CR443	33-10-06	1N4007
CR444	27-31-02	704-15K36
CR445	27-31-01	704-15K36
CR446	27-31-02	704-15K36
CR447	27-31-01	704-15K36
CR448	27-31-02	704-15K36
CR449	27-31-01	704-15K36
CR450	27-31-02	704-15K36
CR451	27-31-01	704-15K36
CR452	27-31-03	1N4007
CR453	27-31-03	1N4007
CR457	27-31-03	1N4007
CR458	27-31-03	1N4007
CR469	30-10-03	MR510
CR470	30-10-03	MR510
CR471	30-10-05	MR510

**Beechcraft**  
**STARSHIP 1**  
**WIRING DIAGRAM MANUAL**

*REFERENCE DESIGNATOR INDEX (CONTINUED)*

Reference Designator	GAMA/ATA Code	Part Number
CR472	30-10-05	MR510
CR473	30-10-04	MR510
CR474	30-10-04	MR510
CR480	30-10-04	MR510
CR481	30-10-05	MR510
CR482	30-10-04	MR510
CR483	30-10-05	MR510
CR490	33-10-03	MR510
CR490	33-10-03	MR510
CR491	30-10-03	MR510
CR492	30-10-03	MR510
CR493	32-43-02	1N4007
CR493	32-43-02	1N4007
CR495	30-81-00	1N4007
CR496	30-81-00	1N4007
CR497	30-81-00	MR510
CR498	21-32-00	MR510
CR498	21-32-00	MR510
CR499	21-32-00	MR510
CR499	21-32-00	MR510
CR500	27-31-02	1N4007
CR501	27-31-01	1N4007
CR505	24-41-00	1N4007
CR505	24-41-01	1N4007
CR507	30-10-05	1N4007
CR508	30-10-04	1N4007
CR509	30-10-03	1N4007
CR510	30-10-03	1N4007
CR511	21-51-00	1N4007
CR511	21-51-00	1N4007
CR512	30-81-00	122-360023-3
CR513	30-81-00	122-360023-3
CR514	24-41-00	1N4007
CR515	24-41-00	1N4007
CR518	33-17-11	MR510
CR519	33-17-11	MR510
CR520	33-17-11	MR510
CR521	33-17-11	MR510
CR522	33-17-12	MR510
CR523	33-17-12	MR510
CR524	33-17-12	MR510
CR525	33-17-12	MR510
CR526	33-18-01	MR510
CR527	33-17-13	MR510
CR531	33-10-05	1N4007
CR532	27-50-01	1N4007
CR537	30-82-00	1N4007
CR538	30-82-00	1N4007
CR539	30-82-00	1N4007
CR540	30-82-00	1N4007
CR541	30-82-00	1N4007
CR542	30-10-02	1N4007
CR641	30-81-00	1N4007
CR642	30-81-00	1N4007
DS102	33-13-00	MS25069-1495
DS103	33-13-00	MS25069-1495
DS106	33-44-00	4182271
DS107	33-44-00	4182271

Reference Designator	GAMA/ATA Code	Part Number
DS108	33-44-00	4587
DS113	33-13-00	1308
DS117	33-17-07	6635-360.2S
DS118	33-17-07	6635-360.2S
DS119	33-17-07	6635-360.2S
DS120	33-17-07	6635-360.2S
DS121	33-17-07	6635-360.2S
DS122	33-17-07	6635-360.2S
DS123	33-17-07	6635-360.2S
DS124	33-17-07	6635-360.2S
DS125	33-17-07	6635-360.2S
DS126	33-17-07	6635-360.2S
DS127	33-17-07	6635-360.2S
DS128	33-17-07	6635-360.2S
DS129	33-17-07	6635-360.2S
DS130	33-17-07	6635-360.2S
DS131	33-17-07	6635-360.2S
DS132	33-17-07	6635-360.2S
DS134	33-17-07	6635-360.2S
DS135	33-17-07	6635-360.2S
DS136	33-17-07	6635-360.2S
DS139	33-18-00	1495
DS141	33-44-00	4596
DS142	33-18-00	MS15570-303
DS142	33-18-01	MS15570-303
DS143-1	33-17-04	6635-360.2S
DS143-1	33-17-04	6335-750S
DS143-2	33-17-04	6635-360.2S
DS149	33-17-02	122-384068-9
DS149	33-17-13	122-384068-9
DS149J1	33-17-02	1-480699-0
DS149J1	33-17-13	1-480699-0
DS150	33-17-02	122-384068-3
DS150	33-17-13	122-384068-3
DS150J1	33-17-02	1-480699-0
DS150J1	33-17-13	1-480699-0
DS151	33-17-02	122-384068-11
DS151	33-17-13	122-384068-11
DS151J1	33-17-02	1-480699-0
DS151J1	33-17-13	1-480699-0
DS152	33-17-02	122-384068-4
DS152	33-17-13	122-384068-4
DS152J1	33-17-02	1-480699-0
DS152J1	33-17-13	1-480699-0
DS153	33-17-02	122-384068-13
DS153	33-17-13	122-384068-13
DS153J1	33-17-02	1-480699-0
DS153J1	33-17-13	1-480699-0
DS154	33-17-02	122-384068-5
DS154	33-17-13	122-384068-5
DS154J1	33-17-02	1-480699-0
DS154J1	33-17-13	1-480699-0
DS155	33-17-02	122-384068-15
DS155	33-17-13	122-384068-15
DS155J1	33-17-02	1-480699-0
DS155J1	33-17-13	1-480699-0
DS156	33-17-02	122-384068-7
DS156	33-17-13	122-384068-7

**Beechcraft**  
**STARSHIP 1**  
**WIRING DIAGRAM MANUAL**

*REFERENCE DESIGNATOR INDEX (CONTINUED)*

Reference Designator	GAMA/ATA Code	Part Number
DS156J1	33-17-02	1-480699-0
DS156J1	33-17-13	1-480699-0
DS163	33-17-09	6335-560
DS164	33-17-09	6335-430
DS165	33-17-09	6335-430
DS166	33-17-09	6335-750S
DS167	33-17-10	6335-430
DS168	33-17-10	6335-430
DS169	33-17-10	6335-430
DS170	33-17-11	6335-430
DS171	33-17-11	6335-430
DS172	33-17-11	6335-430
DS173	33-17-11	6335-430
DS174	33-17-12	6335-430
DS175	33-17-12	6335-430
DS176	33-17-12	6335-430
DS177	33-17-12	6335-430
DS178	33-18-00	MS15570-303
DS178	33-18-01	MS15570-303
E100	33-10-02	100-364179-1
E101	26-12-00	472184-04
E102	21-61-02	122-382065-3
E103	21-61-02	122-382063-5
E104	21-21-00	2617T100-29
E104	21-21-00	2617T100-31
E104	21-52-00	2617T100-29
E104	21-52-00	2617T100-31
E104	21-61-01	2617T100-29
E104	21-61-01	2617T100-31
E104	21-61-02	2617T100-29
E104	21-61-02	2617T100-31
E106	21-61-02	122-382061-7
E107	21-61-02	122-382061-7
E108	21-32-00	122-382066-25
E108	21-32-00	122-382066-25
E109	21-32-00	122-382066-25
E109	21-32-00	122-382066-25
E118	80-11-00	122-389027-1
E119	80-11-00	122-389027-1
E120	76-21-02	109-389002-3
E121	76-21-01	109-389002-3
E122	34-10-00	122-380046-1
E123	34-10-00	122-380046-1
E124	61-24-00	A213796
E124	61-24-00	A213796
E125	28-21-01	100-389020-1
E126	61-24-00	213181
E126	61-24-00	213181
E127	61-23-00	189894-001
E128	61-23-00	186641-001
E130	26-11-00	7666
E132	61-22-01	MS3456L10SL-3S
E133	28-22-01	122-380059-7
E133J1	28-22-01	MS3114-14-19P
E133J2	28-22-01	MS3114-14-19PX
E134	28-22-02	122-380059-7
E134J1	28-22-02	MS3114-14-19P
E134J2	28-22-02	MS3114-14-19PX

Reference Designator	GAMA/ATA Code	Part Number
E135	26-21-01	122-380069-1
E135J1	26-21-01	MS3476L8-33SW
E135J2	26-21-01	MS3476L8-33SW
E136	26-21-02	122-380069-1
E136J1	26-21-02	MS3476L8-33SW
E136J2	26-21-02	MS3476L8-33SW
E137	21-21-00	122-380036-11
E138	21-21-00	122-380036-11
E139	30-42-00	122-384000-7
E142	27-50-02	122-380011-7
E142J1	27-50-02	MS3102E20-23P
E142J2	27-50-02	MS3112E12-10P
E151	31-51-04	122-380037-13
E151J1	31-51-04	D38999/20FE35PA
E151J2	31-51-04	D38999/20FE35PB
E152	31-51-05	122-380037-13
E152J1	31-51-05	D38999/20FE35PA
E152J2	31-51-05	D38999/20FE35PB
E155A	26-12-00	472195
E155B	26-12-00	472197
E155C	26-12-00	472197
E155D	26-12-00	472197
E155E	26-12-00	472197
E155F	26-12-00	872248
E156A	26-12-00	472195
E156B	26-12-00	472196
E156C	26-12-00	472197
E156D	26-12-00	472197
E156E	26-12-00	472197
E156F	26-12-00	472197
E156G	26-12-00	872248
E163	25-21-00	206482-24V-7
E167A	26-12-00	472189
E167B	26-12-00	472196
E167C	26-12-00	472196
E167D	26-12-00	472196
E167E	26-12-00	472196
E167F	26-12-00	472197
E167G	26-12-00	472197
E178	30-81-00	0871CT1
E180	30-42-00	122-384002-5
E181	30-43-00	122-384000-8
E182	35-10-00	101-384032-7
E183	35-10-00	122-382008-5
E184	38-20-00	500-31B
E184	38-20-00	500-31AC
E184	38-20-00	500-31A-1
E185	21-31-01	130356-18
E186	21-31-01	101-380021-1
E186	21-31-01	101-380021-5
E187	21-31-01	101-380021-1
E187	21-31-01	101-380021-5
E189	21-32-00	122-382064-3
E189	21-32-00	122-382064-7
E189	21-32-00	122-382064-7
E194	21-51-00	101-380019-3
E194	21-51-00	101-380019-3
E194J1	21-51-00	1-480699-0

Beechcraft  
**STARSHIP 1**  
**WIRING DIAGRAM MANUAL**  
*REFERENCE DESIGNATOR INDEX (CONTINUED)*

Reference Designator	GAMA/ATA Code	Part Number
E194J1	21-51-00	1-480699-0
E195	21-51-00	101-380019-3
E195	21-51-00	101-380019-3
E195J1	21-51-00	1-480699-0
E195J1	21-51-00	1-480699-0
E196	21-51-00	OW-5A-2G (24V)
E196	21-51-00	OW-5A-2G (12V)
E196	21-51-00	8527-6041
E196	21-51-00	8527-6041
E196J1	21-51-00	1-480351-0
E196J1	21-51-00	1-480351-0
E201	30-43-00	122-384002-6
E202	26-11-00	7666
E203	61-23-00	189894-001
E204	61-23-00	186641-001
E205	33-22-01	1202-022
E205J1	33-22-01	207359-1
E206	61-24-00	213181
E208	32-42-00	122-381012-1
E209	32-42-00	122-381012-1
E210	27-50-02	122-381032-1
E210J1	27-50-02	MS3122E8-3P
E211	27-50-01	122-381014-25
E211	27-50-01	122-381014-25
E212	27-50-01	122-381014-21
E212	27-50-01	122-381014-21
E215	21-21-00	122-380036-7
E215	21-21-00	122-380036-13
E216	21-21-00	122-380036-7
E217	21-51-00	122-380020-7
E217	21-51-00	122-380020-7
E218	30-41-00	122-382129-1
E220	61-22-02	MS3456L10SL-3S
E221	21-31-01	101-380018-7
E221	21-31-01	101-380018-3
E221J1	21-31-01	1-480703-0
E223	32-43-01	140-04715
E224	32-43-01	140-04715
E225	32-43-01	140-04715
E226	32-43-01	140-04715
E229	27-31-01	STL-20
E230	27-31-02	SLZ-7702-B-04
E231	27-31-01	SLZ7702-B-04
E234	30-81-00	0871CT1
E235	30-10-03	122-970105-1
E236	30-10-03	122-970105-1
E237	30-10-05	122-970105-1
E240	30-10-04	122-970105-1
E245	28-21-01	A-1437
E246	28-21-01	A-1437
E247	30-81-00	100-389020-1
E249	32-43-02	114-388011-1
E250	32-43-02	114-388011-1
E251	33-22-01	1202-022
E251J1	33-22-01	207359-1
E263	30-82-00	0871CT1
F100	24-51-01	ACH-20
F100	24-51-01	ACH-20

Reference Designator	GAMA/ATA Code	Part Number
F100	24-51-01	ACH-20
F101	24-51-01	ACH-50
F101	24-51-01	ACH-50
F101	24-51-01	ACH-50
F101	24-56-00	ACH-50
F103	24-51-01	ACH-30
F103	24-51-01	ACH-30
F103	24-51-01	ACH-30
F104	24-51-01	ACH-20
F104	24-51-01	ACH-20
F105	24-51-01	ACH-30
F105	24-51-01	ACH-30
F105	24-51-01	ACH-30
F106	24-51-01	ACH-30
F106	24-51-01	ACH-30
F108	24-51-01	ACH-60
F108	24-51-01	ACH-60
F108	24-51-01	ACH-60
F110	24-51-02	ACH-50
F110	24-51-02	ACH-50
F110	24-56-00	ACH-50
F112	24-51-02	ACH-30
F112	24-51-02	ACH-30
F113	24-51-02	ACH-20
F113	24-51-02	ACH-20
F114	24-51-02	ACH-30
F114	24-51-02	ACH-30
F115	24-51-02	ACH-30
F115	24-51-02	ACH-30
F116	24-51-02	ACH-60
F116	24-51-02	ACH-60
F119	24-51-02	ANL-M-400
F119	24-51-02	ANL-M-400
F120	24-51-01	ANL-M-400
F120	24-51-01	ANL-M-400
F120	24-51-01	ANL-M-400
F123	24-33-00	ACH-60
F124	24-51-01	ACH-20
F124	24-51-01	ACH-20
F124	24-51-01	ACH-20
F125	24-51-01	ACH-20
F125	24-51-01	ACH-20
F125	24-51-01	ACH-20
F126	24-51-02	ACH-60
F126	24-51-02	ACH-60
F127	24-51-02	ACH-25
F127	24-51-02	ACH-25
F128	24-51-02	ACH-25
F128	24-51-02	ACH-25
F129	24-51-02	ACH-25
F129	24-51-02	ACH-25
F130	24-51-02	ACH-25
F130	24-51-02	ACH-25
F131	24-51-02	ACH-25
F131	24-51-02	ACH-25
F132	24-51-02	ACH-15



**Beechcraft**  
**STARSHIP 1**  
**WIRING DIAGRAM MANUAL**

*REFERENCE DESIGNATOR INDEX (CONTINUED)*

Reference Designator	GAMA/ATA Code	Part Number
F132	24-51-02	ACH-15
F132	24-56-00	ACH-15
F133	24-51-01	ANL-M-80
F133	24-51-01	ANL-M-80
F133	24-51-01	ANL-M-80
F133	24-51-01	ANL-M-80
F134	24-51-02	ANL-M-80
F134	24-51-02	ANL-M-80
F138	24-51-01	ACH-20
F138	24-51-01	ACH-20
F138	24-51-01	ACH-20
F139	24-51-01	ACH-35
F139	24-51-01	ACH-35
F139	24-51-01	ACH-35
F140	24-51-01	ACH-35
F140	24-51-01	ACH-35
F140	24-51-01	ACH-35
F141	24-51-02	ACH-20
F141	24-51-02	ACH-20
F141	32-43-02	ACH-20
F141	32-43-02	ACH-20
F142	24-51-02	ANL-M-80
F142	24-51-02	ANL-M-80
F144	30-10-01	GMW2A
F145	30-10-01	GMW2A
F146	30-10-01	GMW2A
F147	30-10-01	GMW2A
F148	30-10-01	GMW2A
F149	30-10-01	GMW2A
GS101	24-35-00	131270-3
GS102	24-35-00	131270-3
GS103	24-35-00	AN4-5A
GS104	24-35-00	AN4-5A
GS105	24-35-00	AN4-5A
GS112	24-31-02	AN5-5
GS113	24-31-01	AN5-5
GS113	24-31-01	AN5-5
GS114	24-31-02	AN5-5
GS115	24-31-01	AN5-5
GS115	24-31-01	AN5-5
GS116	24-31-02	AN5-5
GS117	24-31-01	AN5-5
GS117	24-31-01	AN5-5
GS118	24-35-00	131270-3
GS119	24-35-00	131270-3
GS126	24-51-01	131270-3
GS126	24-51-01	131270-3
GS126	24-51-01	131270-3
GS127	24-31-01	131270-3
GS127	24-31-01	131270-3
GS128	24-51-02	131270-3
GS128	24-51-02	131270-3
GS129	30-31-00	131270-3
GS130	30-31-00	131270-3
GS132	24-54-03	MS24693-S28
GS132	24-54-03	MS24693-S28
GS132	24-54-03	MS24693-S28
GS133	24-54-03	MS24693-S28
GS133	24-54-03	MS24693-S28

Reference Designator	GAMA/ATA Code	Part Number
GS133	24-54-03	MS24693-S28
GS136	24-54-01	MS24698-S23
GS137	24-54-02	MS24698-23S
GS138	24-54-01	MS24698-S23
GS139	24-54-02	MS24698-S23
GS141	24-54-01	MS24698-S23
GS141	24-54-02	MS24698-S23
GS142	24-54-01	MS24698-S23
GS142	24-54-02	MS24698-S23
GS143	24-54-03	MS24693-S28
GS143	24-54-03	MS24693-S28
GS143	24-54-03	MS24693-S28
GS143	24-54-03	MS24693-S28
GS144	24-54-03	MS24693-S28
GS144	24-54-03	MS24693-S28
GS144	24-54-03	MS24693-S28
GS145	24-54-03	MS24693-S28
GS145	24-54-03	MS24693-S28
GS145	24-54-03	MS24693-S28
GS146	24-54-03	MS24693-S28
GS146	24-54-03	MS24693-S28
G1	24-31-01	23085-001
G1	24-31-01	23085-001
G1	24-31-02	23085-001
HR103	28-11-00	122-389025-3
HR104	28-11-00	122-389025-3
HR105	30-31-00	122-384001-3
HR106	30-31-00	122-384001-3
HR107	38-21-00	122-384070-3
HR108	73-32-00	99-381045-1
HR108	73-32-00	99-381045-1
HR109	73-32-00	99-384045-1
HR109	73-32-00	99-384045-1
HR110	73-32-00	99-384045-1
HR110	73-32-00	99-384045-1
HR111	73-32-00	99-384045-1
HR111	73-32-00	99-384045-1
HR112	73-32-00	99-384045-1
HR113	73-32-00	99-384045-1
J1003	24-41-00	207439-1
J1003	24-41-01	207439-1
J101	91-01-00	201037-2
J101	91-01-00	201037-2
J1018	33-18-01	207359-1
J1018	38-20-00	207359-1
J102	91-02-00	201037-2
J103	91-03-00	201037-2
J1033	33-17-10	207440-1
J1033	33-22-01	207440-1
J106	32-31-03	MS3471L10-6PW
J107	32-31-03	MS3471L10-6P
J1077	33-18-01	1-350868-0
J1078	33-18-01	1-350688-0
J108	32-31-03	MS3471L14-12P
J1083	61-24-00	MS3470L12-10P
J1089	61-24-00	MS3471L10-6S
J109	32-31-03	MS3471L14-12PW
J1090	61-24-00	MS3476L10-6S

**Beechcraft**  
**STARSHIP 1**  
**WIRING DIAGRAM MANUAL**

*REFERENCE DESIGNATOR INDEX (CONTINUED)*

Reference Designator	GAMA/ATA Code	Part Number
J1091	33-18-01	1-350688-0
J1100	30-82-00	207018-1
J111	91-52-00	201037-2
J233	33-10-03	1-531580-8
J233	33-10-03	1-531580-8
J239	91-19-00	206151-1
J264	91-13-00	MS3450KT28-11S
J265	91-14-00	MS3456KT28-11S
J271	21-32-00	MS3471L12-8P
J272	21-32-00	MS3471L12-8P
J275	91-04-00	204814-1
J276	91-05-00	204814-1
J277	91-06-00	204814-1
J278	91-07-00	204814-1
J279	91-08-00	204814-1
J279	91-08-00	204814-1
J280	91-09-00	204814-1
J280	91-09-00	204814-1
J290	33-10-02	201301-3
J300	24-41-00	MS3506-1
J300	24-41-01	MS3506-1
J306	91-11-00	204814-1
J310	91-17-00	206151-1
J329	91-15-00	MS3450KT28-21S
J330	91-16-00	MS3450KT28-21S
J347	25-21-00	1-480699-0
J350	33-23-00	207376-1
J351	33-23-00	207359-1
J352	33-23-00	207359-1
J354	33-23-00	207359-1
J355	33-23-00	207359-1
J356	33-23-00	207359-1
J360	30-21-02	MS3471L10-6P
J361	30-21-01	MS3471L10-10P
J381	91-10-00	204814-1
J382	91-21-00	201358-1
J383	91-22-00	201358-1
J384	33-10-05	207443-1
J385	33-17-01	MS3471L12-10P
J385	33-17-15	MS3471L12-10P
J386	32-31-03	MS3471L10-6P
J387	32-31-02	MS3471L10-6P
J388	32-31-03	MS3471L10-6PW
J389	32-31-02	MS3471L10-6PW
J390	91-31-00	MS3471L14-18P
J391	91-32-00	MS3471L14-18P
J394	21-51-00	207359-1
J394	21-51-00	207359-1
J407	91-12-00	204814-1
J409	31-51-01	206838-1
J485	91-23-00	DDMM50PE
J497	33-12-00	207153-1
J517	33-15-00	1-480699-0
J585	33-10-01	207829-3
J586	33-42-00	1-480351-0
J600	24-01-00	1506-102
J601	24-01-00	1506-103
J603	21-52-00	207359-1

Reference Designator	GAMA/ATA Code	Part Number
J604	21-52-00	207359-1
J605	21-52-00	207359-1
J606	21-52-00	207359-1
J626	21-51-00	207359-1
J626	21-51-00	207359-1
J627	21-51-00	1-480699-0
J627	21-51-00	1-480699-0
J631	35-10-00	1-480699-0
J638	33-46-00	MS3451L10SL-4P
J645	21-61-01	206486-2
J646	21-61-01	206153-1
J647	91-33-00	200277-4
J651	33-19-00	207153-1
J667	33-42-00	MS3471L10-6P
J667	33-43-00	MS3471L10-6P
J668	33-42-00	MS3471L10-6P
J668	33-43-00	MS3471L10-6P
J679	27-50-02	206151-2
J679	30-31-00	206151-2
J679	32-62-00	206151-2
J679	34-10-00	206151-2
J689	30-31-00	206151-2
J694	91-49-00	206305-1
J695	91-48-00	206151-2
J696	91-46-00	206838-2
J697	91-45-00	206151-2
J698	91-47-00	207443-1
J698	91-47-00	207443-1
J701	38-20-00	1-480699-0
J701	38-20-00	1-480699-0
J702	32-61-00	1-480699-0
J703	21-21-00	1-480699-0
J710	79-30-00	MS3471L8-33P
J711	79-30-00	MS3471L8-33P
J712	21-61-01	207359-1
J713	34-10-00	207360-1
J714	28-21-02	206705-2
J715	33-13-00	207359-1
J732	24-56-00	207359-1
J737	21-51-00	202-102 (RED)
J738	21-51-00	202-103 (BLK)
J739	21-51-00	202-102 (RED)
J741	33-15-00	1-480698-0
J742	33-15-00	1-480698-0
J743	33-15-00	1-480698-0
J748	27-50-04	MS3456KT18-1P
J749	27-50-03	MS3456KT18-1P
J750	27-50-04	MS3471L8-33P
J751	27-50-03	MS3471L8-33P
J757	38-21-00	207016-1
J767	27-50-03	207359-1
J776	33-15-00	1-480698-0
J777	33-15-00	1-480698-0
J778	33-15-00	1-480698-0
J800	91-50-00	MS3471L18-32P
J801	91-38-00	MS3471L20-41P
J832	33-17-06	MS3471L18-32P
J877	91-41-00	207018-1

**Beechcraft**  
**STARSHIP 1**  
**WIRING DIAGRAM MANUAL**

*REFERENCE DESIGNATOR INDEX (CONTINUED)*

Reference Designator	GAMA/ATA Code	Part Number
J878	33-21-00	1-480699-0
J879	33-21-00	1-480699-0
J880	33-21-00	1-480699-0
J881	33-21-00	1-480699-0
J882	33-21-00	1-480699-0
J883	33-21-00	1-480699-0
J884	33-21-00	1-480699-0
J885	33-21-00	1-480699-0
J886	33-21-00	1-480699-0
J887	33-21-00	1-480699-0
J888	33-17-06	1-350867-0
J892	91-44-00	MS3471L14-18P
J895	35-10-00	1-480699-0
J896	31-51-04	1-480698-0
J897	31-51-04	1-480698-0
J898	31-51-05	1-480698-0
J899	31-51-05	1-480698-0
J900	33-46-00	MS3451L10SL-4P
J901	27-31-02	206306-2
J901	27-31-03	206306-2
J910	33-10-06	207443-1
J911	33-17-01	207359-1
J911	33-17-15	207359-1
J924	27-31-03	207443-1
J944	30-10-01	204814-1
J944	30-81-00	204814-1
J944	30-82-00	204814-1
J953	30-81-00	207443-1
J956	32-51-00	MS3471L8-33P
J957	24-33-00	LMD-3001-P
J959	91-20-00	LMD-3001-P
J960	76-21-02	MS3471L8-33P
J961	76-21-01	MS3471L8-33P
J962	79-30-00	LMD-3001-P
J963	91-30-00	LMD-3001-P
J964	27-31-04	207153-1
J965	24-33-00	MS3476L10-6S
J965	26-21-02	MS3476L10-6S
J965	76-21-02	MS3476L10-6S
J965	79-30-00	MS3476L10-6S
J966	26-21-01	MS3476L10-6S
J966	76-21-01	MS3476L10-6S
J966	79-30-00	MS3476L10-6S
J969	33-15-00	1-480698-0
J979	30-10-01	MS3471L14-12P
J986	30-81-00	207018-1
J988	30-10-03	MS3471L8-33P
J989	30-10-03	MS3471L8-33P
J990	30-10-03	MS3471L12-3P
J991	30-10-03	MS3471L12-3P
J992	30-10-04	MS3471L8-33P
J993	30-10-05	MS3471L8-33P
J994	30-10-04	MS3471L12-3P
J995	30-10-05	MS3471L12-3P
J996	30-10-04	MS3471L8-33P
J997	30-10-05	MS3471L8-33P
K100	32-31-01	SM200D21
K101	30-42-00	SM150D5

Reference Designator	GAMA/ATA Code	Part Number
K102	30-42-00	6041H80A
K103	24-41-00	6041H279
K103	24-41-01	6041H279
K104	33-44-00	FCA-125-14
K105	33-44-00	FCA-125-14
K106	27-50-02	109-381002-1
K108	24-31-01	M6106/29-023
K108	24-31-01	M6106/29-023
K109	24-31-02	M6106/29-023
K110	30-42-00	SM150D5
K111	30-43-00	6041H80A
K112	30-43-00	6041H80A
K119	30-31-00	50-380048-1
K120	30-31-00	50-380048-1
K121	33-44-00	FCA-125-14
K122	27-50-04	MS24376-D2
K123	27-50-03	MS24376-D2
K128	33-44-00	FCA-125-14
K129	21-21-00	109-381002-1
K130	21-21-00	109-381002-1
K134	30-81-00	50-380048-1
K135	30-81-00	50-380048-1
K139	30-81-00	50-380048-1
K140	30-81-00	50-380048-1
K141	24-41-00	FCA325-45
K141	24-41-01	FCA325-45
K508	27-31-03	50-380048-1
K508J1	27-31-03	207440-1
K516	30-82-00	50-380048-1
K517	30-82-00	50-380048-1
K518	30-82-00	50-380048-1
MT100	28-44-00	122-389034-3
MT101	28-44-00	122-389034-3
MT104	28-22-02	122-380060-5
MT104J1	28-22-02	MS3114H10-8P
MT105	28-22-01	122-380060-7
MT105J1	28-22-01	MS3114H10-8P
MT106	28-22-02	122-380060-3
MT106J1	28-22-02	MS3114H10-8P
MT107	28-22-01	122-380060-5
MT107J1	28-22-01	MS3114H10-8P
MT108	28-22-02	122-380060-1
MT108J1	28-22-02	MS3114H10-8P
MT109	28-22-01	122-380060-3
MT109J1	28-22-01	MS3114H10-8P
MT110	28-22-02	122-380060-7
MT110J1	28-22-02	MS3114H10-8P
MT111	28-22-01	122-380060-1
MT111J1	28-22-01	MS3114H10-8P
MT112	61-42-00	50-389057-1
MT113	73-31-00	122-380060-1
MT114	77-11-00	122-389028-3
MT115	77-12-00	50-389057-1
MT116	79-34-00	101-389023
MT117	61-42-00	50-389057-1
MT118	73-31-00	122-380060-1
MT119	77-11-00	122-389028-3
MT120	79-34-00	101-389023

Beechcraft  
**STARSHIP 1**  
**WIRING DIAGRAM MANUAL**  
*REFERENCE DESIGNATOR INDEX (CONTINUED)*

Reference Designator	GAMA/ATA Code	Part Number
MT121	77-12-00	50-389057-1
MT123	27-31-03	SLZ7306
MT124	27-31-02	SLZ7306
M100	36-21-00	122-382143-1
M101	24-01-00	122-382045-9
M102	24-01-00	122-382047-7
M103	24-01-00	122-382045-9
M104	28-22-01	122-382009-7
M105	28-22-02	122-382009-7
M107	35-10-00	122-382134-1
M108	21-31-02	122-382147-3
M109	21-31-02	122-382146-3
M110	21-61-01	122-382133-1
M111	31-21-00	122-382089-1
M140	28-45-00	122-382100-7
M144	27-31-03	122-382153-1
PS103	33-12-00	122-364190-1
PS105	33-10-01	101-380012-7
PS106	33-15-00	122-384101-1
PS107	33-15-00	122-384101-1
PS108	33-17-02	122-384101-1
PS108	33-17-13	122-384101-1
PS109	33-17-02	122-384101-1
PS109	33-17-13	122-384101-1
PS111	33-17-01	122-384102-1
PS111	33-17-01	122-364190-1
PS111	33-17-15	122-384102-1
PS111	33-17-15	122-364190-1
PS116	33-19-00	122-364190-1
PS117	33-43-00	01-0770347-00
PS117J1	33-43-00	MS3102E-10SL-3S
PS117J2	33-43-00	MS3122E-10-6P
PS118	33-43-00	01-0770347-00
PS118J1	33-43-00	MS3102E-10SL-3S
PS118J2	33-43-00	MS3122E-10-6P
PS126	33-17-03	18-95D
PS127	33-17-03	18-95D
PS128	33-17-03	18-95D
PS129	33-17-03	18-95D
PS130	33-17-03	18-95D
PS131	33-17-03	18-95D
PS132	33-17-04	18-95D
PS133	33-17-04	18-996C
PS134	33-17-04	TR-992
PS135	33-17-04	TR-992
PS136	33-17-04	TR-992
PS137	33-17-06	18-95D
PS138	33-17-06	18-95D
PS139	33-17-06	18-95D
PS140	33-17-06	18-95D
PS141	33-17-06	18-95D
PS142	33-17-06	18-95D
PS149	33-17-04	TR-992
PS500	33-17-09	18-1024-2
PS501	33-17-09	TR992-12
PS502	33-17-09	TR992-12
PS503	33-17-09	TR992-12
PS504	33-17-09	18-944-2

Reference Designator	GAMA/ATA Code	Part Number
PS505	33-17-10	18-1024-2
PS506	33-17-10	TR992-12
PS507	33-17-10	TR992-12
PS508	33-17-10	TR992-12
PS509	33-17-11	18-944-2
PS510	33-17-11	18-944-2
PS511	33-17-11	18-944-2
PS512	33-17-11	18-944-2
PS513	33-17-12	18-944-2
PS514	33-17-12	18-944-2
PS515	33-17-12	18-944-2
PS516	33-17-12	18-944-2
P1003	24-41-00	207440-1
P1003	24-41-01	207440-1
P101	91-01-00	201345-2
P101	91-01-00	201345-2
P1016	32-43-02	MS3456L10SL-4S
P1017	32-43-02	MS3456L10SL-4S
P1018	33-18-01	207360-1
P1018	38-20-00	207360-1
P1019	33-17-09	87270-3
P102	91-02-00	201345-2
P1020	33-17-09	1-87270-2
P1021	33-17-09	350547-2
P1022	33-17-09	350866-1
P1023	33-17-09	350866-1
P1024	33-17-09	350547-2
P1025	33-17-09	350866-1
P1026	33-17-09	350866-1
P1027	33-17-09	1-480702-0
P1028	33-17-09	350866-1
P1029	33-17-09	350866-1
P103	91-03-00	201345-2
P1030	33-17-09	350866-1
P1031	33-17-09	350866-1
P1032	33-17-10	87270-3
P1033	33-17-10	207439-1
P1033	33-22-01	207439-1
P1034	33-17-10	1-480702-0
P1035	33-17-10	350866-1
P1036	33-17-10	350866-1
P1037	33-17-10	1-480702-0
P1038	33-17-10	350866-1
P1039	33-17-10	350866-1
P1040	33-17-10	1-480702-0
P1041	33-17-10	350866-1
P1042	33-17-10	350866-1
P1043	33-17-11	1-87270-2
P1044	33-17-11	350866-1
P1045	33-17-11	350866-1
P1046	33-17-11	207017-1
P1046	33-22-01	207017-1
P1046A	33-17-11	66105-4
P1046A	33-22-01	66105-4
P1046B	33-17-11	66101-4
P1046B	33-22-01	66101-4
P1047	33-17-11	1-87270-2
P1048	33-17-11	350866-1

**Beechcraft**  
**STARSHIP 1**  
**WIRING DIAGRAM MANUAL**  
*REFERENCE DESIGNATOR INDEX (CONTINUED)*

Reference Designator	GAMA/ATA Code	Part Number
P1049	33-17-11	350866-1
P1050	33-17-11	207017-1
P1050	33-22-01	207017-1
P1050A	33-17-11	66105-4
P1050A	33-22-01	66105-4
P1050B	33-17-11	66101-4
P1050B	33-22-01	66101-4
P1051	33-17-11	1-87270-2
P1052	33-17-11	350866-1
P1053	33-17-11	350866-1
P1054	33-17-11	207017-1
P1054	33-22-01	207017-1
P1054A	33-17-11	66105-4
P1054A	33-22-01	66105-4
P1054B	33-17-11	66101-4
P1054B	33-22-01	66101-4
P1055	33-17-11	1-87270-2
P1056	33-17-11	350866-1
P1057	33-17-11	350866-1
P1058	33-17-11	207152-1
P1059	33-17-12	1-87270-2
P106	32-31-03	MS3476L10-6SW
P1060	33-17-12	350866-1
P1061	33-17-12	350866-1
P1062	33-17-12	207017-1
P1062	33-22-01	207017-1
P1062A	33-17-12	66105-4
P1062A	33-22-01	66105-4
P1062B	33-17-12	66101-4
P1062B	33-22-01	66101-4
P1063	33-17-12	1-87270-2
P1064	33-17-12	350866-1
P1065	33-17-12	350866-1
P1066	33-17-12	207017-1
P1066	33-22-01	207017-1
P1066A	33-17-12	66105-4
P1066A	33-22-01	66105-4
P1066B	33-17-12	66101-4
P1066B	33-22-01	66101-4
P1067	33-17-12	1-87270-2
P1068	33-17-12	350866-1
P1069	33-17-12	350866-1
P107	32-31-03	MS3476L10-6S
P1070	33-17-12	207017-1
P1070	33-22-01	207017-1
P1070A	33-17-12	66105-4
P1070A	33-22-01	66105-4
P1070B	33-17-12	66101-4
P1070B	33-22-01	66101-4
P1071	33-17-12	1-87270-2
P1072	33-17-12	350866-1
P1073	33-17-12	350866-1
P1074	33-17-12	207152-1
P1075	33-18-01	207360-1
P1076	33-18-01	207360-1
P1077	33-18-01	1-350867-0
P1078	33-18-01	1-350867-0
P108	32-31-03	MS3476L14-12S

Reference Designator	GAMA/ATA Code	Part Number
P1081	61-24-00	906-8719
P1082	61-24-00	906-8719
P1089	61-24-00	MS3471L10-6P
P109	32-31-03	MS3476L14-12SW
P1090	61-24-00	MS3471L10-6P
P1091	33-18-01	1-350867-0
P1099	30-82-00	MS3476L12-10S
P1100	30-82-00	207017-1
P111	91-52-00	201345-2
P202	24-34-01	130106DSM-50S
P202	24-34-02	130106DSM-50S
P203	31-51-01	130106DSM-50S
P205	31-51-02	130106DSM-50S
P206	32-42-00	130106BSM-25S
P206	32-43-01	130106BSM-25S
P206	61-23-00	130106BSM-25S
P215	24-31-01	207017-1
P215	24-31-01	207017-1
P220	24-56-00	MS3476L14-12S
P221	24-33-00	130106BSM-25S
P222	24-31-02	M27473T20A16S
P223	91-28-00	MS3476L20-41S
P224	91-29-00	MS3476L20-41S
P225	24-33-00	MS3476L20-41S
P227	24-31-01	MS27473T20A16S
P227	24-31-01	MS27473T20A16S
P228	31-51-02	205839-3
P233	33-10-03	3-582307-1
P233	33-10-03	3-582307-1
P239	91-19-00	206150-1
P246	21-51-00	130106BSM-25S
P246	21-51-00	130106BSM-25S
P260	30-31-00	00855-0001
P261	30-31-00	00855-0001
P264	91-13-00	MS3456KT28-11P
P265	91-14-00	MS3456KT28-11P
P271	21-32-00	MS3476L12-8S
P271	21-32-00	MS3476L12-8S
P272	21-32-00	MS3476L12-8S
P272	21-32-00	MS3476L12-8S
P275	91-04-00	200838-3
P276	91-05-00	200838-3
P277	91-06-00	200838-3
P278	91-07-00	200838-3
P279	91-08-00	200838-3
P279	91-08-00	200838-3
P280	91-09-00	200838-3
P280	91-09-00	200838-3
P283	80-11-00	MS3456L10SL-3S
P284	80-11-00	MS3456L10SL-3S
P285	34-10-00	1-480698-0
P286	34-10-00	1-480698-0
P287	76-21-01	MS3476L12-1S
P288	76-21-02	MS3476L12-8S
P289A	91-24-00	RME2P67S67S-5001
P289B	91-25-00	RME2P67S67S-5001
P290	33-10-02	201302-3
P294	24-31-02	207017-1

**Beechcraft**  
**STARSHIP 1**  
**WIRING DIAGRAM MANUAL**  
*REFERENCE DESIGNATOR INDEX (CONTINUED)*

Reference Designator	GAMA/ATA Code	Part Number
P306	91-11-00	200838-3
P307	24-41-00	13016BSM-25S
P307	24-41-01	13016BSM-25S
P307	30-42-00	13016BSM-25S
P308	24-33-00	122-361015-1
P309	91-37-00	130106DSM-50S
P310	91-17-00	206150-1
P316	28-21-01	MS3456L10SL-3S
P317	21-61-02	MS3476L12-8SX
P320	21-61-02	MS3476L14-18S
P322	21-61-02	MS3476L14-18SW
P323	21-61-02	MS3476L14-18S
P324	21-61-02	MS3476L12-8S
P325	32-31-01	MS3116F8-4S
P326	32-31-01	MS3476L10-6S
P327	32-31-01	130106BSM-25S
P329	91-15-00	MS3456KT28-21P
P330	91-16-00	MS3456KT28-21P
P331	24-33-00	MS3456L28-11S
P341	91-39-00	130106DSM-50S
P342	61-24-00	MS27473E14B18S
P342	61-24-00	MS27473E14B18S
P347	25-21-00	1-480698-0
P350	33-23-00	207377-1
P351	33-23-00	207360-1
P352	33-23-00	207360-1
P354	33-23-00	207360-1
P355	33-23-00	207360-1
P356	33-23-00	207360-1
P357A	91-26-00	RME2P67S26S-5002
P357B	91-27-00	RME2P67S26S-5002
P358	30-21-02	MS3476L10-6S
P359	30-21-01	MS3476L10-6S
P360	30-21-02	MS3476L10-6S
P361	30-21-01	MS3476L10-6S
P367	28-22-01	MS3476L10-6S
P368	28-22-02	MS3476L10-6S
P369	28-22-01	MS3476L10-6S
P370	28-22-02	MS3476L10-6S
P371	28-22-01	MS3476L10-6S
P372	28-22-02	MS3476L10-6S
P373	28-22-01	MS3476L10-6S
P374	28-22-02	MS3476L10-6S
P375	28-22-01	MS3476L14-19S
P376	28-22-02	MS3476L14-19S
P377	28-22-01	MS3476L14-19SX
P378	28-22-02	MS3476L14-19SX
P379	28-22-01	205203-1
P380	28-22-02	205203-1
P381	91-10-00	200838-3
P382	91-21-00	200277-2
P383	91-22-00	200277-2
P384	33-10-05	207442-1
P385	33-17-01	MS3476L12-10S
P385	33-17-15	MS3476L12-10S
P386	32-31-03	MS3476L10-6S
P387	32-31-02	MS3476L10-6S
P388	32-31-03	MS3476L10-6SW

Reference Designator	GAMA/ATA Code	Part Number
P389	32-31-02	MS3476L10-6SW
P390	91-31-00	MS3476L14-18S
P391	91-32-00	MS3476L14-18S
P392	32-51-00	MS3116F8-4S
P393	21-52-00	MS3476L10-6S
P394	21-51-00	207360-1
P394	21-51-00	207360-1
P395	33-10-02	MS90335-6
P400	21-21-00	MS3476L18-32S
P401	21-21-00	MS3116F8-4S
P404	24-01-00	205203-1
P405	24-01-00	205203-1
P406	24-01-00	205203-1
P407	91-12-00	200838-3
P408	24-01-00	205205-1
P409	31-51-01	206837-1
P410	32-31-01	MS3116F8-4SW
P411	21-31-01	60939-2
P412	21-31-01	60939-2
P413	28-43-00	MS3456L10SL-3S
P414	28-43-00	MS3456L10SL-3S
P415	33-12-00	1-480698-0
P416	33-12-00	1-480698-0
P417	33-12-00	1-480698-0
P418	79-34-00	MS3116F8-4S
P419	79-34-00	MS3116F8-4S
P420	79-33-00	MS3456L10SL-3S
P421	79-33-00	MS3456L10SL-3S
P422	79-32-00	MS3456L12S-3S
P423	79-32-00	MS3456L12S-3S
P424	79-31-00	MS3456L12S-3S
P425	79-31-00	MS3456L12S-3S
P426	77-12-00	MS3456L12S-3S
P427	77-12-00	MS3456L12S-3S
P428	77-11-00	MS3456L14S-2S
P429	77-11-00	MS3456L14S-2S
P430	74-11-02	MS3456L12S-3S
P431	74-11-01	MS3456L12S-3S
P432	61-22-02	MS3476L10-6S
P432	74-11-02	MS3476L10-6S
P433	61-22-01	MS3476L10-6S
P433	74-11-01	MS3476L10-6S
P434	73-31-00	MS3476L10-6S
P435	73-31-00	MS3476L10-6S
P436	61-42-00	MS3456L12S-3S
P437	61-42-00	MS3456L12S-3S
P438	61-24-00	MS3456L10SL3S
P438	61-24-00	MS3456L10SL3S
P439	61-24-00	MS3456L10SL-3S
P439	61-24-00	MS3456L10SL-3S
P440	61-23-00	MS3456L10SL-4S
P441	61-23-00	MS3456L10SL-4S
P442	61-22-02	MS3456L10S-3S
P443	61-22-01	MS3456L10SL-3S
P444	61-22-02	MS3456L10SL-3S
P445	61-22-01	MS3456L10SL-3S
P447	28-44-00	MS3116E8-4S
P448	28-44-00	MS3116E8-4S

**Beechcraft**  
**STARSHIP 1**  
**WIRING DIAGRAM MANUAL**  
*REFERENCE DESIGNATOR INDEX (CONTINUED)*

Reference Designator	GAMA/ATA Code	Part Number
P449	33-15-00	MS90335-6
P450	33-15-00	MS90335-6
P451	33-15-00	MS90335-6
P452	33-15-00	MS90335-6
P453	33-15-00	MS90335-6
P464	27-50-02	MS3476L14-19S
P481	26-12-00	MS3476L14-19S
P482	79-30-00	D38999/26FA98SN
P483	79-30-00	D38999/26FA98SN
P485	91-23-00	205211-1
P487	33-19-00	M83723/75R16246
P497	33-12-00	207152-1
P498	33-13-00	1-480349-0
P499	33-13-00	1-480349-0
P500	30-81-00	MS3476L12-10S
P504	36-21-00	205203-1
P505	35-10-00	1-480700-0
P508	31-51-04	D38999/26FE35SA
P509	31-51-04	D38999/26FE35SB
P510	31-51-05	D38999/26FE35SA
P511	31-51-05	D38999/26FE35SB
P512	31-51-06	M83723/75R2041N
P514	33-15-00	207015-1
P515	33-15-00	207015-1
P516	33-15-00	MS90335-6
P517	33-15-00	1-480698-0
P518	33-15-00	MS90335-6
P519	33-15-00	MS90335-6
P521	26-21-01	MS3476L8-33SW
P522	26-21-02	MS3476L8-33SW
P526	21-31-02	1-480699-0
P527	21-31-02	1-480699-0
P535	33-17-02	207015-1
P535	33-17-13	207015-1
P536	33-17-02	207015-1
P536	33-17-13	207015-1
P537	33-17-02	1-480698-0
P537	33-17-13	1-480698-0
P538	33-17-02	1-480698-0
P538	33-17-13	1-480698-0
P542	35-10-00	205203-1
P543	35-10-00	MS3476L10-6S
P544	35-10-00	1-480700-0
P580	33-19-00	MS3476L16-26S
P582	35-10-00	60939-2
P583	35-10-00	60939-2
P584	21-32-00	MS3476L12-8S
P584	21-32-00	MS3476L12-8S
P585	33-10-01	205210-1
P587	31-51-08	M83723/75R2041N
P588	33-42-00	1-480349-0
P589	21-51-00	1-480698-0
P589	21-51-00	1-480698-0
P591	33-10-01	130106DSM-50S
P592	21-51-00	207360-1
P592	21-51-00	207360-1
P593	33-17-04	1-480351-0
P594	24-54-04	MS3476L22-41S

Reference Designator	GAMA/ATA Code	Part Number
P594	24-54-04	MS3476L22-41S
P597	33-17-01	207017-1
P597	33-17-15	207017-1
P598	32-31-01	130106DSM-50S
P598	32-31-02	130106DSM-50S
P598	32-61-00	130106DSM-50S
P609	32-62-00	1-480700-0
P622	21-61-02	MS3476L18-32S
P623	21-61-02	MS3476L14-18S
P624	21-51-00	1-480349-0
P624	21-51-00	1-480349-0
P625	21-51-00	207571-1
P626	21-51-00	1-480698-0
P626	21-51-00	1-480698-0
P627	21-51-00	1-480698-0
P627	21-51-00	1-480698-0
P628	31-51-06	207360-1
P629	21-21-00	205838-1
P631	35-10-00	1-480698-0
P632	21-52-00	207360-1
P633	21-52-00	207360-1
P634	21-52-00	207360-1
P635	21-52-00	207360-1
P636	21-52-00	207360-1
P637	21-52-00	207360-1
P638	33-46-00	MS3456L10SL-4S
P639	21-21-00	MS3476L14-19S
P639	21-52-00	MS3476L14-19S
P640	21-21-00	MS3476L16-26SY
P640	21-61-01	MS3476L16-26SY
P641	21-61-02	207360-1
P642	21-32-00	206037-1
P642	21-32-00	206037-1
P644	21-61-01	205203-1
P645	21-61-01	206485-1
P646	21-61-01	206060-1
P647	91-33-00	201358-3
P649	21-51-00	207360-1
P649	21-51-00	207360-1
P651	33-19-00	207152-1
P657	21-51-00	207360-1
P657	21-51-00	207360-1
P658	21-51-00	1-480698-0
P658	21-51-00	1-480698-0
P659	33-17-04	1-480351-0
P660	35-10-00	1-480700-0
P661	33-43-00	MS3456L10SL-3P
P662	33-43-00	MS3456L10SL-3P
P663	33-43-00	MS3126E10-6S
P664	33-43-00	MS3126E10-6S
P665	21-21-00	MS3476L16-26SW
P665	21-61-01	MS3476L16-26SW
P667	33-42-00	MS3475L10-6S
P667	33-43-00	MS3475L10-6S
P668	33-42-00	MS3475L10-6S
P668	33-43-00	MS3475L10-6S
P671	27-50-02	MS3106F20-23S
P679	27-50-02	206150-1

**Beechcraft**  
**STARSHIP 1**  
**WIRING DIAGRAM MANUAL**

*REFERENCE DESIGNATOR INDEX (CONTINUED)*

Reference Designator	GAMA/ATA Code	Part Number
P679	30-31-00	206150-1
P679	32-62-00	206150-1
P679	34-10-00	206150-1
P681	26-12-00	446054
P682	26-12-00	446055
P683	26-12-00	446054
P684	26-12-00	446055
P685	26-12-00	446055
P686	26-12-00	446054
P687	33-22-01	207360-1
P689	30-31-00	206150-1
P692	33-14-00	1-480698-0
P693	33-14-00	1-480698-0
P694	33-15-00	206306-2
P694	91-49-00	206306-2
P695	91-48-00	206150-1
P696	91-46-00	206837-1
P697	91-45-00	206150-1
P698	91-47-00	207442-1
P698	91-47-00	207442-1
P699	33-16-00	207360-1
P700	27-50-01	206037-1
P700	27-50-01	206037-1
P701	38-20-00	1-480698-0
P701	38-20-00	1-480698-0
P702	32-61-00	1-480698-0
P703	21-21-00	1-480698-0
P704	33-10-01	MS3456L16-1S
P710	79-30-00	MS3476L8-33S
P711	79-30-00	MS3476L8-33S
P712	21-61-01	207360-1
P713	34-10-00	207359-1
P714	28-21-02	206708-1
P715	33-13-00	207360-1
P717	33-17-01	207152-1
P717	33-17-15	207152-1
P719	32-42-00	MS3476L10-6S
P720	32-42-00	MS3456L10SL-3S
P721	32-42-00	MS3476L10-6S
P722	32-42-00	MS3456L10-3S
P726	28-45-00	205203-1
P727	28-45-00	MS3456L12S-3S
P732	24-56-00	207360-1
P733	27-50-02	MS3476L8-33S
P734	26-11-00	MS3456KT14S-5S
P735	26-11-00	MS3456KT14S-5S
P736	21-51-00	MS3116F8-4S
P736	21-51-00	MS3116F8-4S
P741	33-15-00	1-480699-0
P742	33-15-00	1-480699-0
P743	33-15-00	1-480699-0
P744	21-31-01	MS3116F8-3S
P745	27-50-01	130106DSM-50S
P745	27-50-01	130106DSM-50S
P746	27-50-01	MS3476L16-26SW
P746	27-50-01	MS3476L16-26SW
P747	27-50-01	MS3106F20-23S
P747	27-50-01	MS3106F20-23S

Reference Designator	GAMA/ATA Code	Part Number
P748	27-50-04	MS3450L18-1S
P749	27-50-03	MS3450L18-1S
P750	27-50-04	MS3476L8-33S
P751	27-50-03	MS3476L8-33S
P752	27-50-03	130106BSM-25S
P752	27-50-04	130106BSM-25S
P753	27-50-03	130106BSM-25S
P753	27-50-03	130106BSM-25S
P754	27-50-04	130106DSM-50S
P755	27-50-03	130106DSM-50S
P757	38-21-00	207015-1
P760	91-40-00	130106DSM-50S
P767	27-50-03	207360-1
P768	21-32-00	MS3476L12-8S
P769	21-32-00	MS3476L12-8S
P773	30-42-00	1-480698-0
P774	30-43-00	1-480698-0
P775	33-15-00	MS90335-6
P776	33-15-00	1-480699-0
P777	33-15-00	1-480699-0
P778	33-15-00	1-480699-0
P791	30-41-00	MS3456L18-1S
P792	30-41-00	MS3476L16-8S
P793	30-41-00	MS3456L18-1S
P794	30-41-00	MS3456L18-1S
P795	30-41-00	MS3456L18-1S
P800	91-50-00	MS3476L18-32S
P801	91-38-00	MS3476L20-41S
P820	33-17-05	207442-1
P820	33-21-00	207442-1
P820	33-22-01	207442-1
P821	33-17-05	207152-1
P822	33-17-05	207442-1
P822	33-21-00	207442-1
P822	33-22-01	207442-1
P823	33-17-05	207442-1
P823	33-21-00	207442-1
P823	33-22-01	207442-1
P824	33-17-05	207152-1
P825	33-17-05	207442-1
P825	33-21-00	207442-1
P825	33-22-01	207442-1
P825	33-22-01	207360-1
P826	33-17-05	207442-1
P826	33-21-00	207442-1
P826	33-22-01	207442-1
P827	33-17-05	207152-1
P828	33-17-05	207442-1
P828	33-21-00	207442-1
P828	33-22-01	207442-1
P829	33-17-05	207442-1
P829	33-21-00	207442-1
P829	33-22-01	207442-1
P830	33-17-05	207152-1
P831	33-17-05	207442-1
P831	33-21-00	207442-1
P831	33-22-01	207442-1
P832	33-17-06	MS3476L18-32S



Beechcraft  
**STARSHIP 1**  
**WIRING DIAGRAM MANUAL**  
*REFERENCE DESIGNATOR INDEX (CONTINUED)*

Reference Designator	GAMA/ATA Code	Part Number
P839	33-17-07	31.85 1.A
P840	33-17-07	31.85 1.A
P841	33-17-07	31.85 1.A
P842	33-17-07	31.85 1.A
P843	33-17-07	31.85 1.A
P844	33-17-07	31.85 1.A
P845	33-17-07	31.85 1.A
P846	33-17-07	31.85 1.A
P847	33-17-07	31.85 1.A
P848	33-17-07	31.85 1.A
P849	33-17-07	31.85 1.A
P850	33-17-07	31.85 1.A
P851	33-17-07	31.85 1.A
P852	33-17-07	31.85 1.A
P853	33-17-07	31.85 1.A
P854	33-17-07	31.85 1.A
P855	33-17-07	31.85 1.A
P856	33-17-07	31.85 1.A
P857	33-17-07	31.85 1.A
P858	33-17-07	31.85 1.A
P859	33-17-07	31.85 1.A
P860	33-17-07	31.85 1.A
P861	33-17-07	31.85 1.A
P862	33-17-07	31.85 1.A
P863	33-17-07	31.85 1.A
P864	33-17-07	31.85 1.A
P865	33-17-07	31.85 1.A
P866	33-17-07	31.85 1.A
P867	33-17-07	31.85 1.A
P868	33-17-07	31.85 1.A
P869	33-17-07	31.85 1.A
P870	33-17-07	31.85 1.A
P871	33-17-07	31.85 1.A
P872	33-17-07	31.85 1.A
P873	33-17-07	31.85 1.A
P874	33-17-07	31.85 1.A
P875	33-17-07	31.85 1.A
P877	91-41-00	207017-1
P878	33-21-00	1-480698-0
P879	33-21-00	1-480698-0
P880	33-17-07	1-480698-0
P880	33-21-00	1-480698-0
P881	33-21-00	1-480698-0
P882	33-21-00	1-480698-0
P883	33-21-00	1-480698-0
P884	33-21-00	1-480698-0
P885	33-21-00	1-480698-0
P886	33-21-00	1-480698-0
P887	33-21-00	1-480698-0
P888	33-17-06	1-350868-0
P890	21-31-01	1-480698-0
P891	33-17-07	31.85 1.A
P892	91-44-00	MS3476L14-18S
P893	26-21-01	M83723/86R803N
P894	26-21-02	M83723/86R803N
P895	35-10-00	1-480698-0
P896	31-51-04	1-480699-0
P897	31-51-04	1-480699-0

Reference Designator	GAMA/ATA Code	Part Number
P898	31-51-05	1-480699-0
P899	31-51-05	1-480699-0
P900	33-46-00	MS3456L10SL-4S
P901	27-31-02	206305-1
P901	27-31-03	206305-1
P902	21-31-01	1-480702-1
P903	21-31-01	1-480703-0
P904	32-43-01	PT06E8-4S
P905	32-43-01	PT06E8-4S
P906	32-43-01	MS3126L16-26S
P907	32-43-01	PT06E8-4S
P908	32-43-01	PT06E8-4S
P909	32-43-02	MS3476L14-12S
P909	32-43-02	MS3476L14-12S
P910	33-10-06	207442-1
P911	33-17-01	207360-1
P911	33-17-15	207360-1
P918	27-31-02	MS3120E12-10S
P919	27-31-03	MS3120E12-10S
P920	27-31-02	MS3126F20-41S
P921	27-31-01	MS3126F20-41S
P922	27-31-02	MS3476L10-6S
P923	27-31-02	PT06A8-2S
P924	27-31-03	207442-1
P925	27-31-03	MS3126F16-26S
P928	32-43-02	MS3456L10SL-4S
P928	32-43-02	MS3456L10SL-4S
P929	33-15-00	MS90335-6
P931	91-42-00	130106DSM-50S
P932	27-31-03	207439-1
P933	33-17-07	31.85 1.A
P934	30-81-00	MS3476L12-10S
P936	30-10-01	130106CSM-37S
P939	30-10-02	130106DSM-50S
P943	27-31-02	13016ASM-15S
P944	30-10-01	200838-3
P944	30-81-00	200838-3
P948	33-17-04	1-480351-0
P949	33-17-04	1-480351-0
P951	33-15-00	MS90335-6
P952	33-15-00	1-480699-0
P953	30-81-00	207442-1
P956	32-51-00	MS3476L8-33S
P957	24-33-00	LMD-3001-S
P959	91-20-00	LMD-3001-S
P960	76-21-02	MS3476L8-33S
P961	76-21-01	MS3476L8-33S
P962	79-30-00	LMD-3001-S
P963	91-30-00	LMD-3001-S
P964	27-31-04	207152-1
P965	24-33-00	MS3471L10-6P
P965	26-21-02	MS3471L10-6P
P965	76-21-02	MS3471L10-6P
P965	79-30-00	MS3471L10-6P
P966	26-21-01	MS3471L10-6P
P966	76-21-01	MS3471L10-6P
P966	79-30-00	MS3471L10-6P
P967	33-15-00	MS90335-6

**Beechcraft**  
**STARSHIP 1**  
**WIRING DIAGRAM MANUAL**

*REFERENCE DESIGNATOR INDEX (CONTINUED)*

Reference Designator	GAMA/ATA Code	Part Number
P969	33-15-00	1-480699-0
P970	25-22-00	206060-1
P973	33-17-02	1-480698-0
P973	33-17-13	1-480698-0
P974	33-17-02	1-480698-0
P974	33-17-13	1-480698-0
P975	33-17-02	1-480698-0
P975	33-17-13	1-480698-0
P976	33-17-02	1-480698-0
P976	33-17-13	1-480698-0
P977	33-17-02	1-480698-0
P977	33-17-13	1-480698-0
P978	33-17-02	1-480698-0
P978	33-17-13	1-480698-0
P979	30-10-01	MS3476L14-12S
P980	61-23-00	360010-1
P981	30-10-05	MS3476L14-5S
P982	30-10-04	MS3476L14-5S
P983	30-10-03	MS3476L14-5S
P984	30-10-03	MS3476L14-5S
P986	30-81-00	207017-1
P987	30-81-00	MS3456L10SL-3S
P988	30-10-03	MS3476L8-33S
P989	30-10-03	MS3476L8-33S
P990	30-10-03	MS3476L12-3S
P991	30-10-03	MS3476L12-3S
P992	30-10-04	MS3476L8-33S
P993	30-10-05	MS3476L8-33S
P994	30-10-04	MS3476L12-3S
P995	30-10-05	MS3476L12-3S
P996	30-10-04	MS3476L8-33S
P997	30-10-05	MS3476L8-33S
RT100	79-31-00	MS28034
RT107	79-31-00	MS28034
RT109	28-45-00	MS28034-1
R100	33-10-02	CM42873
R101	33-10-02	CM42873
R102	33-10-01	122-382083-1
R103	33-10-01	122-382083-1
R104	33-10-01	122-382083-3
R105	33-10-01	122-382083-3
R106	33-10-01	122-382083-7
R107	33-10-01	122-382083-1
R110	24-33-00	100-380007-3
R111	24-31-02	100-380007-5
R112	24-31-01	100-380007-5
R112	24-31-01	100-380007-5
R132	21-61-01	122-322173-1
R133	21-21-00	122-322173-9
R133J1	21-21-00	205841-2
R137	21-52-00	122-550133-5
R137J1	21-52-00	207359-1
R138	21-52-00	122-550133-5
R138J1	21-52-00	207359-1
R139	21-52-00	122-550133-5
R139J1	21-52-00	207359-1
R140	21-52-00	122-550133-5
R140J1	21-52-00	207359-1

Reference Designator	GAMA/ATA Code	Part Number
R141	21-52-00	122-550133-5
R141J1	21-52-00	207359-1
R142	21-52-00	122-550133-5
R142J1	21-52-00	207359-1
R143	21-61-02	122-550133-5
R145	27-50-01	95J1R0
R145	27-50-01	95J1R0
R146	27-50-01	95J3R9
R146	27-50-01	95J3R9
R147	27-50-04	95J3R9
R148	27-50-04	95J1R0
R149	27-50-03	95J3R9
R150	27-50-03	95J1R0
R151	31-51-01	95J1R0
R155	27-31-01	95J1R0
R156	27-31-02	95J1R0
R157	27-31-01	95J1R0
R158	27-31-02	95J1R0
R159	27-31-01	95J1R0
R160	27-31-02	95J1R0
R161	30-81-00	76251-10
R162	30-81-00	76251-10
R163	30-81-00	76251-10
R164	30-81-00	76251-10
R165	30-81-00	RE75G4R87
R166	30-81-00	RE75G4R87
R167	27-31-04	3059J-1-103M
R168	27-31-04	3059J-1-103M
R169	21-51-00	0956
R170	30-82-00	RCR20G102JS
S100	33-10-02	122-382076-7
S101	33-10-03	122-382035-1
S101	33-10-03	122-382035-1
S102	33-10-03	122-382035-1
S102	33-10-03	122-382035-1
S103	33-10-03	122-382035-1
S103	33-10-03	122-382035-1
S104	33-10-03	122-382035-1
S104	33-10-03	122-382035-1
S105	33-10-03	122-382035-1
S105	33-10-03	122-382035-1
S106	33-10-03	122-382035-1
S106	33-10-03	122-382035-1
S107	33-10-03	122-382035-1
S107	33-10-03	122-382035-1
S108	33-10-03	122-382035-1
S108	33-10-03	122-382035-1
S109	33-10-04	122-382035-1
S110	33-10-04	122-382035-1
S111	33-10-04	122-382035-1
S112	33-10-04	122-382035-1
S113	33-10-04	122-382035-1
S114	33-10-04	122-382035-1
S116	26-21-01	MB2061SW06BK
S117	26-21-02	MB2061SW06BK
S118	26-11-00	MB2011SW06BK
S121	26-11-00	MB2011SW06BK
S122	27-31-01	MB2061SW06BK

**Beechcraft**  
**STARSHIP 1**  
**WIRING DIAGRAM MANUAL**

*REFERENCE DESIGNATOR INDEX (CONTINUED)*

Reference Designator	GAMA/ATA Code	Part Number
S123	30-81-00	MB2061SW06BK
S124	21-31-02	MB2011SW06BK
S125	32-62-00	MB2011SW06BK
S126	31-51-03	MB2061SW06BK
S127	33-19-00	MB2011SW06BK
S128	33-19-00	MB2061SW06BK
S129	34-10-00	112TW59-3D
S130	32-42-00	112TW91-3
S131	27-31-02	112TW91-3
S131	27-31-02	MS21347-731
S132	30-31-00	MS24523-23
S133	30-31-00	MS24523-23
S134	30-42-00	13AT236-S-N
S135	30-43-00	112TW59-10N
S136	30-42-00	112TW59-3D
S137	30-21-01	112TW59-3D
S138	30-21-02	112TW59-3D
S139	30-21-01	64AT46-3
S139	30-21-01	21649-TI-0109
S140	30-21-02	64AT46-3
S140	30-21-02	21649-TI-0109
S141	28-11-00	62AT46-3
S141	28-11-00	MS21347-731
S141	73-32-00	62AT46-3
S141	73-32-00	MS21347-731
S141	73-32-00	62AT46-3
S141	73-32-00	MS21347-731
S142	28-11-00	62AT46-3
S142	28-11-00	MS21347-731
S142	73-32-00	62AT46-3
S142	73-32-00	MS21347-731
S142	73-32-00	62AT46-3
S142	73-32-00	MS21347-731
S143	30-10-01	MS24523-27
S144	30-10-01	MS24523-27
S145	74-11-01	112TW59-3D
S146	74-11-02	112TW59-3D
S147	61-22-01	64AT59-514B
S148	61-24-00	112TW91-3
S148	61-24-00	112TW91-3
S149	61-23-00	MS24524-27
S150	80-11-00	112TW59-5M
S151	80-11-00	112TW59-5M
S152	24-33-00	112TW91-3
S153	24-31-01	31AT46-S
S153	24-31-01	31AT46-S
S154	24-31-02	31AT46-S
S156	24-34-01	112-TW59-10A
S158	24-56-00	112TW91-3
S159	24-56-00	112TW59-10A
S160	24-41-00	112-TN91-3
S160	24-41-01	112-TN91-3
S161	28-21-02	MS24523-23
S162	28-21-02	122-322171-1
S163	28-21-02	MS24523-23
S166	21-32-00	122-382076-9
S166	21-32-00	122-382076-9
S168	21-61-01	112TW91-7

Reference Designator	GAMA/ATA Code	Part Number
S170	21-61-01	122-322174-1
S171	21-52-00	1173T0508
S172	21-51-00	122-550134-3
S172	21-51-00	122-550134-3
S175	28-43-00	100-389018-21
S176	28-43-00	100-389018-21
S177	28-44-00	MB2011SW06BK
S182	26-12-00	MB2011SW06BK
S183	32-31-02	444EN49-6
S183	32-61-00	444EN49-6
S183	61-23-00	444EN49-6
S184	32-31-02	H11-1476
S184	32-31-02	H11-1627
S185	32-31-03	444EN49-6
S185	32-51-00	444EN49-6
S185	32-61-00	444EN49-6
S186	32-31-03	H11-1476
S186	32-31-03	H11-1627
S187	32-31-02	H11-1476
S187	32-31-02	H11-1627
S188	32-31-03	H11-1476
S188	32-31-03	H11-1627
S189	32-31-03	H11-1476
S189	32-31-03	H11-1627
S190	32-31-03	H11-1476
S190	32-31-03	H11-1627
S191	32-31-03	H11-1476
S191	32-31-03	H11-1627
S192	32-31-03	H11-1476
S192	32-31-03	H11-1627
S196	61-22-01	50-389121-29
S197	61-22-01	50-389121-31
S197	74-11-01	50-389121-31
S198	27-50-01	122-382037-1
S198	27-50-01	122-382037-1
S198J1	27-50-01	206038-1
S198J1	27-50-01	206038-1
S199	79-33-00	50-389121-15
S201	30-21-01	1SE1
S202	30-21-02	1SE1
S203	30-21-01	1SE1
S204	30-21-02	1SE1
S205	33-23-00	402EN54-B
S206	33-23-00	402EN53-B
S207	33-23-00	402EN53-B
S208	33-17-01	1SE1
S208	33-17-15	1SE1
S209	33-23-00	402EN53-B
S210	33-23-00	402EN53-B
S211	33-23-00	402EN53-B
S212	33-17-01	1SE1
S212	33-17-15	1SE1
S213	61-22-01	11SM3-S
S215	61-22-01	11SM3-S
S217	32-62-00	11SM3-S
S218	32-62-00	11SM3-S
S219	73-30-00	99-524043
S220	73-30-00	99-524043

**Beechcraft**  
**STARSHIP 1**  
**WIRING DIAGRAM MANUAL**

*REFERENCE DESIGNATOR INDEX (CONTINUED)*

Reference Designator	GAMA/ATA Code	Part Number
S224	61-43-00	11SM3-S
S225	61-43-00	11SM3-S
S227	32-61-00	10-332001
S229	35-10-00	101-384028
S230	35-10-00	101-384034-1
S231	35-10-00	101-384034-3
S232	35-10-00	101-384034-1
S234	33-18-00	AML24FBA2CA01
S234	33-18-01	AML24FBA2CA01
S235	31-51-06	LS-5022
S235J1	31-51-06	207359-1
S236	21-51-00	20425L97-840-759
S236	21-51-00	20425L97-840-759
S237	21-51-00	20425L97-840-759
S237	21-51-00	20425L97-840-759
S238	21-51-00	114-555067-3
S239	21-51-00	122-380018-3
S239	21-51-00	122-380018-3
S240	21-51-00	20PS001BA300K220K
S240	21-51-00	20PS001BA300K220K
S241	21-52-00	122-550134-1
S241P1	21-52-00	207360-1
S242	21-52-00	122-550134-1
S242P1	21-52-00	207360-1
S243	21-52-00	122-550134-1
S243P1	21-52-00	207360-1
S244	21-52-00	122-550134-1
S244P1	21-52-00	207360-1
S245	32-62-00	101-384111-3
S245J1	32-62-00	1-480701-0
S246	21-51-00	90-364123-5
S246	21-51-00	90-364123-5
S247	21-51-00	114-555062-3
S247J1	21-51-00	207569-1
S250	79-33-00	50-389121-15
S251	61-22-02	50-389121-29
S252	61-22-02	50-389121-31
S252	74-11-02	50-389121-31
S253	21-21-00	PSF100A-1.5
S255	33-18-00	122-382035-3
S260	21-31-01	122-382109-3
S261	27-50-03	MB2011SW06BK
S262	27-50-04	MB2011SW06BK
S263	27-50-03	390FW05-2
S264	27-50-04	390FW05-2
S265	27-50-03	390FW05-6
S266	27-50-04	390FW05-6
S267	24-33-00	MB2011SW06BK
S268	21-21-00	112-TW91-3
S269	28-22-01	MB2011SW01BK
S270	28-22-02	MB2011SW01BK
S276	21-21-00	PSF100A-1.5
S277	33-10-02	122-382076-19
S278	33-17-01	1SE1
S278	33-17-15	1SE1
S282	27-31-01	11SM3-S
S283	27-31-01	11SM3-S
S284	61-23-00	V3-101-D8

Reference Designator	GAMA/ATA Code	Part Number
S285	61-22-01	11SM3-S
S286	61-22-01	11SM3-S
S287	32-43-01	112TW91-3
S294	32-43-01	BZ-2RQ1T04
S295	27-31-03	A3-202-05
S305	30-81-00	MB2061SW06BK
S306	30-10-03	122-970108-1
S307	30-10-03	122-970108-1
S308	30-10-05	122-970108-1
S309	30-10-05	122-970108-1
S310	30-10-04	122-970108-1
S311	30-10-04	122-970108-1
S313	30-10-03	122-970107-1
S314	30-10-03	122-970107-1
S316	30-10-05	122-970107-1
S318	30-10-04	122-970107-1
S321	30-10-01	MB2011SW06BK
S327	30-82-00	112TW91-8
S401	21-31-01	101-384028-7
S402	33-17-05	122-384120
S402J1	33-17-05	207153-1
S403	33-17-05	122-384120
S403J1	33-17-05	207153-1
S404	33-17-05	122-384120
S404J1	33-17-05	207153-1
S405	33-17-05	122-384120
S405J1	33-17-05	207153-1
S500	33-17-11	122-384120
S500J1	33-17-11	207153-1
S501	33-17-12	122-384120
S501J1	33-17-12	207153-1
TB102	24-51-01	MS27212-2-15
TB102	24-51-01	MS27212-2-15
TB102	24-51-01	MS27212-2-15
TB102	32-43-02	MS27212-2-15
TB102	32-43-02	MS27212-2-15
TB103	31-51-01	204228-3
TB112	24-35-00	MS27212-2-6
TB113	24-34-01	MRTB20E04
TB114	24-34-01	MRTB20E04
TB115	31-51-07	MRTB20E04
TB116	24-35-00	MS27212-5-5
TB117	24-35-00	MS27212-5-5
TB118	31-51-07	MRTB20E04
TB119	31-51-07	MRTB20E04
TB120	31-51-07	MRTB20E04
TB121	31-51-07	MRTB20E04
TB124	28-22-01	MRTB20E04
TB125	28-22-02	MRTB20E03
TB126	28-22-02	MRTB20E04
TB127	31-51-07	MRTB20E04
TB128	32-62-00	MRTB20E04
TB150	31-51-03	MRTB20E04
U100	33-12-00	122-382086-1
U101	33-12-00	122-382086-1
U102	33-12-00	122-382086-1
U103	33-15-00	122-382053-23
U104	33-15-00	122-382137-15

**Beechcraft**  
**STARSHIP 1**  
**WIRING DIAGRAM MANUAL**

*REFERENCE DESIGNATOR INDEX (CONTINUED)*

Reference Designator	GAMA/ATA Code	Part Number
U105	33-15-00	122-382107-9
U106	33-15-00	122-382149-7
U107	33-15-00	122-382057-17
U108	33-15-00	122-382110-3
U109	33-15-00	122-382111-7
U111	33-15-00	122-382105-15
U112	33-15-00	122-382106-27
U121	33-17-01	122-384069-1
U121	33-17-15	122-384069-1
U122	33-17-01	122-384069-1
U122	33-17-15	122-384069-1
U123	33-17-01	122-384069-1
U123	33-17-15	122-384069-1
U125	33-10-02	122-382058-5
U126	33-15-00	122-382112-5
U127	33-15-00	122-382108-5
U130	33-15-00	122-382148-17
U131	33-15-00	122-382150-3
U132	33-15-00	122-382152-1
VR101	24-31-01	51538-001B
VR102	24-31-02	51538-001B
W100	24-35-00	MS25226-4-5
W1006	33-17-09	M27500-22TE2T14
W1007	33-17-09	M27500-22TE2T14
W1008	33-17-09	M27500-22TE2T14
W1009	33-17-10	M27500-22TE2T14
W1010	33-17-10	M27500-22TE2T14
W1011	33-17-10	M27500-22TE2T14
W1012	33-22-01	M27500-22TE2U15
W1013	33-22-01	M27500-22TE2U15
W1014	33-22-01	M27500-22TE2U15
W1015	33-22-01	M27500-22TE2U15
W1016	24-54-05	50-369101-205
W110	24-35-00	122-361014-57
W111	24-35-00	122-361014-55
W113	24-51-02	122-361014-83
W113	24-51-02	122-361014-83
W114	24-31-02	122-361014-89
W114	24-51-02	122-361014-89
W114	24-51-02	122-361014-89
W116	24-31-01	122-361014-81
W116	24-31-01	122-361014-81
W116	24-51-01	122-361014-81
W116	24-51-01	122-361014-81
W117	24-51-01	122-361014-85
W117	24-51-01	122-361014-85
W117	24-51-01	122-361014-85
W119	24-31-01	122-361014-45
W119	24-31-01	122-361014-45
W120	24-31-02	122-361014-89
W122	24-33-00	122-361014-43
W134	31-51-04	M27500-22TE2T14
W134	31-51-06	M27500-22TE2T14
W135	31-51-06	M27500-22TE2T14
W136	31-51-04	M27500-22TE2T14
W136	31-51-06	M27500-22TE2T14
W137	31-51-06	M27500-22TE2T14

Reference Designator	GAMA/ATA Code	Part Number
W138	31-51-05	M27500-22TE2T14
W138	31-51-08	M27500-22TE2T14
W139	31-51-08	M27500-22TE2T14
W140	31-51-05	M27500-22TE2T14
W140	31-51-08	M27500-22TE2T14
W141	31-51-08	M27500-22TE2T14
W201	28-22-01	M27500-22TE4T14
W202	28-22-01	M27500-22TE4T14
W203	28-22-01	M27500-22TE4T14
W204	28-22-01	M27500-22TE4T14
W205	28-22-01	M27500-22TE2T14
W206	28-22-01	M27500-22TE2T14
W207	28-22-02	M27500-22TE4T14
W208	28-22-02	M27500-22TE4T14
W209	28-22-02	M27500-22TE4T14
W210	28-22-02	M27500-22TE4T14
W211	28-22-02	M27500-22TE2T14
W212	28-22-02	M27500-22TE2T14
W213	61-24-00	M27500-22TE2T14
W213	61-24-00	M27500-22TE2T14
W214	61-24-00	M27500-22TE2T14
W214	61-24-00	M27500-22TE2T14
W215	61-24-00	M27500-22TE2T14
W215	61-24-00	M27500-22TE2T14
W216	61-24-00	M27500-22TE2T14
W216	61-24-00	M27500-22TE2T14
W217	61-24-00	M27500-22TE2T14
W217	61-24-00	M27500-22TE2T14
W218	61-24-00	M27500-22TE2T14
W218	61-24-00	M27500-22TE2T14
W219	61-24-00	M27500-22TE2T14
W219	61-24-00	M27500-22TE2T14
W221	31-51-05	M27500-22TE2T15
W221	73-31-00	M27500-22TE2T15
W222	73-31-00	M27500-20TE2T15
W224	31-51-05	M27500-22TE3T15
W224	73-31-00	M27500-22TE3T15
W225	73-31-00	M27500-20TE3T15
W227	31-51-04	M27500-22TE3T15
W227	73-31-00	M27500-22TE3T15
W228	73-31-00	M27500-20TE3T15
W230	31-51-04	M27500-22TE2T14
W230	73-31-00	M27500-22TE2T14
W231	73-31-00	M27500-20TE3T15
W234	77-21-00	M27500-22TE2U15
W237	77-21-00	M27500-22TE2U15
W238	77-11-00	M27500-22TE4T14
W239	31-51-04	M27500-22TE4T14
W239	77-11-00	M27500-22TE4T14
W240	31-51-05	M27500-22TE4T14
W240	77-11-00	M27500-22TE4T14
W241	77-11-00	M27500-22TE4T14
W242	61-24-00	M27500-22TE2T14
W242	61-24-00	M27500-22TE2T14
W254	33-12-00	M27500-22TE2U15
W255	33-12-00	M27500-22TE2U15
W256	33-12-00	M27500-22TE2U15
W257	33-12-00	M27500-22TE2U15

**Beechcraft**  
**STARSHIP 1**  
**WIRING DIAGRAM MANUAL**

*REFERENCE DESIGNATOR INDEX (CONTINUED)*

Reference Designator	GAMA/ATA Code	Part Number
W260	33-10-02	M27500-22TE2U15
W261	33-15-00	M27500-22TE2U15
W262	33-15-00	M27500-22TE2U15
W263	33-15-00	M27500-22TE2U15
W264	33-15-00	M27500-22TE2U15
W265	33-15-00	M27500-22TE2U15
W266	33-15-00	M27500-22TE2U15
W267	33-15-00	M27500-22TE2U15
W268	33-15-00	M27500-22TE2U15
W269	33-15-00	M27500-22TE2U15
W270	33-15-00	M27500-22TE2U15
W274	33-17-02	M27500-22TE2U15
W274	33-17-13	M27500-22TE2U15
W275	33-17-02	M27500-22TE2U15
W275	33-17-13	M27500-22TE2U15
W278	33-17-01	M27500-22TE2T14
W278	33-17-15	M27500-22TE2T14
W279	33-17-01	M27500-22TE2T14
W279	33-17-15	M27500-22TE2T14
W280	33-17-01	M27500-22TE2T14
W280	33-17-15	M27500-22TE2T14
W283	33-17-01	M27500-22TE3T14
W283	33-17-15	M27500-22TE3T14
W314	33-19-00	M27500-22TE2U00
W337	33-23-00	M27500-22TE2T14
W338	33-23-00	M27500-22TE2T14
W339	33-23-00	M27500-22TE2T14
W341	33-23-00	M27500-22TE2T14
W342	33-23-00	M27500-22TE2T14
W343	33-23-00	M27500-22TE2T14
W344	24-51-01	122-361014-53
W344	24-51-01	122-361014-53
W344	24-51-01	122-361014-53
W346	24-51-01	122-361014-53
W346	24-51-01	122-361014-53
W346	24-51-01	122-361014-53
W347	24-51-02	122-361014-53
W347	24-51-02	122-361014-53
W349	24-51-02	122-361014-53
W349	24-51-02	122-361014-53
W350	24-35-00	122-361019-11
W353	21-21-00	M27500-22TE3T14
W354	21-21-00	M27500-22TE3T14
W355	21-21-00	M27500-22TE3R14
W356	21-21-00	M27500-22TE2T14
W357	21-21-00	M27500-22TE2T14
W358	21-21-00	M27500-22TE2T14
W367	79-33-00	M27500-20TE3T14
W368	79-33-00	M27500-22TE2U15
W369	79-33-00	M27500-20TE3T14
W370	79-33-00	M27500-22TE2U15
W371	79-34-00	M27500-20TE4T14
W372	31-51-04	M27500-22TE3U15
W372	79-34-00	M27500-22TE3U15
W373	79-34-00	M27500-20TE4T14
W374	31-51-05	M27500-22TE3U15
W374	79-34-00	M27500-22TE3U15
W375	79-31-00	M27500-20TE2T14

Reference Designator	GAMA/ATA Code	Part Number
W376	31-51-04	M27500-22TE2U15
W376	79-31-00	M27500-22TE2U15
W377	79-31-00	M27500-20TE2T14
W378	31-51-05	M27500-22TE2U15
W378	79-31-00	M27500-22TE2U15
W379	77-12-00	M27500-22TE2T14
W380	31-51-04	M27500-22TE2U15
W380	77-12-00	M27500-22TE2U15
W381	77-12-00	M27500-22TE2T14
W382	31-51-05	M27500-22TE2U15
W382	77-12-00	M27500-22TE2U15
W383	61-42-00	M7078/34-20-2
W384	31-51-04	M27500-22TE2U15
W385	61-42-00	M7078/34-20-2
W386	31-51-05	M27500-22TE2U15
W395	21-52-00	M27500-22TE2T14
W396	21-52-00	M27500-22TE2T14
W397	21-52-00	M27500-22TE2T14
W398	21-52-00	M27500-22TE2T14
W398	21-61-01	M27500-22TE2T14
W399	21-52-00	M27500-22TE2T14
W400	21-52-00	M27500-22TE2T14
W400	21-61-01	M27500-22TE2T14
W401	21-52-00	M27500-22TE2T14
W402	21-52-00	M27500-22TE2T14
W403	21-52-00	M27500-22TE2T14
W418	24-01-00	M27500-20TE2U15
W419	24-01-00	M27500-20TE2U15
W420	24-01-00	M27500-20TE2U15
W420	24-31-02	M27500-20TE2U15
W421	24-01-00	M27500-20TE2U15
W421	24-31-01	M27500-20TE2U15
W421	24-31-01	M27500-20TE2U15
W422	24-01-00	M27500-20TE2U15
W423	24-01-00	M27500-20TE2U15
W423	24-33-00	M27500-20TE2U15
W424	24-33-00	M27500-20TE2U15
W425	24-33-00	M27500-20TE2U15
W427	26-21-02	M27500-22TE2U15
W428	26-21-02	M27500-22TE2U15
W429	26-21-01	M27500-22TE2U15
W430	26-21-01	M27500-22TE2U15
W431	21-61-02	M27500-22TE2T14
W433	21-61-02	M27500-22TE3T14
W434	21-61-02	M27500-22TE3T14
W435	21-61-02	M27500-22TE2T14
W436	21-61-02	M27500-22TE3T14
W437	21-61-02	M27500-22TE2T14
W438	21-61-02	M27500-22TE2T14
W439	21-61-02	M27500-22TE2T14
W458	24-54-01	122-322184-43
W459	24-54-01	122-322187-135
W460	24-54-01	122-322187-129
W461	24-54-01	50-369101-207
W462	24-54-01	122-322184-31
W463	24-54-02	50-369101-207
W464	24-54-02	122-322184-115
W465	24-54-02	122-322184-115

**Beechcraft**  
**STARSHIP 1**  
**WIRING DIAGRAM MANUAL**

*REFERENCE DESIGNATOR INDEX (CONTINUED)*

Reference Designator	GAMA/ATA Code	Part Number
W466	24-54-02	50-369101-205
W467	24-54-02	122-322184-119
W468	24-54-02	122-322184-33
W469	24-54-02	50-369101-225
W470	24-54-02	122-322184-123
W471	24-54-02	50-369101-205
W472	24-54-02	50-369101-207
W473	24-54-02	50-369101-207
W474	24-54-02	50-369101-235
W475	24-54-02	122-322184-27
W476	24-54-02	122-322184-125
W477	24-54-02	50-369101-225
W478	24-54-02	122-322184-121
W480	24-54-02	50-369101-235
W481	24-54-02	122-322184-131
W482	24-54-02	50-369101-205
W483	24-31-01	M27500-20TE2U15
W483	24-31-01	M27500-20TE2U15
W484	24-31-02	M27500-20TE2U15
W499	21-61-02	M27500-22TE2T14
W503	24-54-03	50-369101-207
W503	24-54-03	50-369101-207
W505	24-54-03	50-369101-225
W505	24-54-03	50-369101-225
W505	24-54-03	50-369101-225
W508	21-61-01	M27500-22TE3T14
W509	21-61-01	M27500-22TE3T14
W510	21-61-01	M27500-22TE4T14
W511	21-61-01	M27500-22TE4T14
W526	21-61-01	M27500-22TE2T14
W527	21-61-01	M27500-22TE2T14
W528	28-11-00	M27500-22TE2T14
W531	28-11-00	M27500-22TE2T14
W532	27-50-02	M27500-22TE3T14
W533	27-50-02	M27500-22TE3T14
W534	21-61-02	M27500-22TE3T14
W547	33-10-02	M27500-22TE2U15
W561	21-61-02	M27500-22TE3T14
W562	21-61-02	M27500-22TE2T14
W563	21-61-02	M27500-22TE3T14
W565	21-61-02	M27500-22TE3T14
W566	21-61-02	M27500-22TE3T14
W567	33-17-01	M27500-22TE3T14
W567	33-17-15	M27500-22TE3T14
W575	24-31-01	109-361022-31
W575	24-31-01	109-361022-31
W576	24-31-01	109-361022-49
W576	24-31-01	109-361022-49
W576	80-11-00	109-361022-49
W577	24-31-02	109-361022-41
W578	24-31-02	109-361022-43
W578	80-11-00	109-361022-43
W579	21-61-01	M27500-22TE3T14
W580	21-61-01	M27500-22TE3T14
W585	28-22-01	M27500-22TE2T14
W585	31-51-04	M27500-22TE2T14
W586	28-22-02	M27500-22TE2T14

Reference Designator	GAMA/ATA Code	Part Number
W586	31-51-05	M27500-22TE2T14
W587	61-22-02	M27500-22TE2T14
W588	61-22-02	M27500-22TE3T14
W589	61-22-01	M27500-22TE2T14
W590	61-22-01	M27500-22TE3T14
W591	74-11-01	M27500-22TE2T14
W592	74-11-02	M27500-22TE2T14
W593	79-32-00	M27500-20TE2T14
W594	79-32-00	M27500-20TE2T14
W595	79-30-00	M27500-20TE3T14
W596	79-30-00	M27500-20TE3T14
W599	61-23-00	M27500-22TE2T14
W600	61-23-00	M27500-22TE2T14
W601	61-23-00	M27500-22TE2T14
W602	61-23-00	M27500-22TE2T14
W603	24-31-01	109-361022-53
W603	24-31-01	109-361022-53
W604	24-31-02	109-361022-55
W605	33-15-00	M27500-22TE2U15
W606	33-15-00	M27500-22TE2U15
W607	33-15-00	M27500-22TE2U15
W608	33-15-00	M27500-22TE2U15
W609	33-15-00	M27500-22TE2U15
W610	30-41-00	M27500-16TE2T14
W610	33-15-00	M27500-22TE2U14
W611	30-41-00	M27500-16TE2T14
W612	30-41-00	M27500-16TE2T14
W613	30-41-00	M27500-16TE2T14
W614	30-41-00	M27500-16TE2T14
W615	24-54-01	122-322184-33
W615	30-41-00	M27500-16TE2T14
W617	21-21-00	M27500-22TE3T14
W617	24-54-02	122-322184-31
W618	21-21-00	M27500-22TE2T14
W618	24-54-02	122-322184-43
W619	21-52-00	M27500-22TE2T14
W619	24-54-01	122-322184-113
W620	24-54-01	50-369101-205
W620	33-17-03	M27500-20TE2U15
W621	24-54-01	122-322184-73
W621	33-17-03	M27500-20TE2U15
W622	24-54-01	50-369101-205
W622	33-17-03	M27500-20TE2U15
W623	24-54-01	50-369101-225
W623	33-17-03	M27500-20TE2U15
W624	33-17-03	M27500-20TE2U15
W625	33-17-03	M27500-20TE2U15
W626	24-54-03	122-322184-29
W626	24-54-03	122-322184-29
W626	24-54-03	122-322184-29
W626	33-17-03	M27500-20TE2U15
W627	31-51-05	M5846-01E20
W627	33-17-03	M27500-20TE2U15
W628	31-51-04	M5846-01E20
W628	33-17-03	M27500-20TE2U15
W629	33-17-01	M27500-22TE3T14
W629	33-17-03	M27500-20TE2U15
W629	33-17-15	M27500-22TE3T14

**Beechcraft**  
**STARSHIP 1**  
**WIRING DIAGRAM MANUAL**

*REFERENCE DESIGNATOR INDEX (CONTINUED)*

Reference Designator	GAMA/ATA Code	Part Number
W630	33-17-03	M27500-20TE2U15
W630	33-43-00	M27500-20TE2U15
W631	33-17-03	M27500-20TE2U15
W631	33-43-00	M27500-20TE2U15
W632	21-52-00	M27500-22TE2T14
W633	21-52-00	M27500-22TE2T14
W634	33-17-04	M27500-20TE2U15
W635	33-17-04	M27500-20TE2U15
W636	33-17-04	M27500-20TE2U15
W637	33-17-04	M27500-20TE2U15
W638	33-17-04	M27500-20TE2U15
W639	33-17-04	M27500-20TE2U15
W640	33-17-04	M27500-20TE2U15
W641	33-17-04	M27500-20TE2U15
W642	33-17-04	M27500-20TE2U15
W642	33-17-07	M27500-22TE2U15
W643	33-17-04	M27500-20TE2U15
W644	33-17-06	M27500-20TE2U15
W645	33-17-06	M27500-20TE2U15
W646	33-17-06	M27500-20TE2U15
W647	33-17-06	M27500-20TE2U15
W648	33-17-06	M27500-20TE2U15
W649	33-17-06	M27500-20TE2U15
W650	33-17-06	M27500-20TE2U15
W651	33-17-06	M27500-20TE2U15
W652	33-17-06	M27500-20TE2U15
W653	33-17-06	M27500-20TE2U15
W654	33-17-06	M27500-20TE2U15
W655	33-17-04	M27500-20TE2U15
W656	33-17-04	M27500-20TE2U15
W657	33-17-04	M27500-20TE2U15
W658	33-22-01	M27500-22TE2U15
W658	33-22-01	M27500-22TE2U15
W659	33-22-01	M27500-22TE2U15
W659	33-22-01	M27500-22TE2U15
W660	33-22-01	M27500-22TE2U15
W660	33-22-01	M27500-22TE2U15
W661	33-22-01	M27500-22TE2U15
W661	33-22-01	M27500-22TE2U15
W662	33-22-01	M27500-22TE2U15
W662	33-22-01	M27500-22TE2U15
W663	33-22-01	M27500-22TE2U15
W663	33-22-01	M27500-22TE2U15
W664	33-22-01	M27500-22TE2U15
W664	33-22-01	M27500-22TE2U15
W665	33-22-01	M27500-22TE2U15
W665	33-22-01	M27500-22TE2U15
W666	33-22-01	M27500-22TE2U15
W667	33-22-01	M27500-22TE2U15
W668	33-22-01	M27500-22TE2U15
W669	33-22-01	M27500-22TE2U15
W670	33-22-01	M27500-22TE2U15
W670	33-22-01	M27500-22TE2U15
W671	33-22-01	M27500-22TE2U15
W671	33-22-01	M27500-22TE2U15
W672	33-22-01	M27500-22TE2U15
W672	33-22-01	M27500-22TE2U15
W673	33-22-01	M27500-22TE2U15

Reference Designator	GAMA/ATA Code	Part Number
W673	33-22-01	M27500-22TE2U15
W674	33-17-07	M27500-22TE2U15
W675	33-17-07	M27500-22TE2U15
W676	33-22-01	M27500-22TE2U15
W678	33-43-00	M27500-20TE2U15
W679	33-43-00	M27500-20TE2U15
W695	26-21-01	M27500-22TE2U15
W696	26-21-02	M27500-22TE2U15
W704	33-17-02	M27500-22TE2U15
W704	33-17-13	M27500-22TE2U15
W706	33-17-02	M27500-22TE2U15
W706	33-17-13	M27500-22TE2U15
W708	33-17-02	M27500-22TE2U15
W708	33-17-13	M27500-22TE2U15
W713	33-15-00	M27500-22TE2U15
W716	24-31-02	M27500/16TG2T14
W717	24-31-01	M27500-16TE2T14
W717	24-31-01	M27500-16TE2T14
W720	24-54-05	50-369101-207
W720	33-15-00	M27500-22TE2U15
W721	24-54-05	50-369101-207
W722	24-54-05	50-369101-205
W728	27-31-01	M27500-22TE3T15
W728	27-31-03	M27500-22TE3T15
W729	27-31-03	M27500-22TE3T14
W734	27-31-02	M27500-22TE3T14
W735	27-31-02	M27500-22TE3T14
W736	27-31-02	M27500-22TE3T14
W737	27-31-02	M27500-22TE3T14
W738	27-31-02	M27500-22TE3T14
W739	27-31-02	M27500-22TE3T14
W740	33-17-07	M27500-22TE2U15
W741	33-17-07	M27500-22TE2U15
W742	33-17-07	M27500-22TE2U15
W743	33-17-07	M27500-2TE2U15
W745	33-15-00	M27500-22TE2U15
W746	33-15-00	M27500-22TE2U15
W751	24-54-01	50-369101-205
W752	24-54-01	122-322184-33
W753	24-54-01	122-322184-127
W754	24-54-02	122-322184-31
W755	24-54-01	122-322184-113
W756	24-54-01	50-369101-205
W758	30-81-00	M27500-16TG2T14
W759	30-81-00	M27500-16TG2T14
W760	30-81-00	M27500-16TG2T14
W761	30-81-00	M27500-16TG2T14
W762	30-10-02	M27500-16TG2T14
W762	30-81-00	M27500-16TG2T14
W763	30-10-02	M27500-16TG2T14
W763	30-81-00	M27500-16TG2T14
W764	30-10-01	M27500-16TG2T14
W764	30-81-00	M27500-16TG2T14
W765	30-10-02	M27500-16TG2T14
W765	30-81-00	M27500-22TE2T14
W766	33-15-00	M27500-22TE2U15
W767	33-15-00	M27500-22TE2U15
W770	24-54-03	122-322184-1



**Beechcraft**  
**STARSHIP 1**  
**WIRING DIAGRAM MANUAL**

*REFERENCE DESIGNATOR INDEX (CONTINUED)*

Reference Designator	GAMA/ATA Code	Part Number
W770	24-54-03	122-322184-1
W770	24-54-03	122-322184-1
W775	30-10-01	M27500-20TE2U15
W776	30-10-01	M27500-20TE2U15
W777	30-10-01	M27500-20TE2U15
W778	30-10-01	M27500-20TE2U15
W779	30-10-01	M27500-20TE2U15
W780	30-10-01	M27500-20TE2U15
W781	30-10-05	M27500-20TE2U15
W783	33-17-02	M27500-22TE2U15
W783	33-17-13	M27500-22TE2U15
W784	33-17-02	M27500-22TE2U15
W784	33-17-13	M27500-22TE2U15
W785	33-17-02	M27500-22TE2U15
W785	33-17-13	M27500-22TE2U15
W790	24-54-05	50-369101-205
W791	24-54-05	50-369101-205
W792	24-54-03	122-322184-139
W792	24-54-05	50-369101-225
W794	61-24-00	M7078/34-22-2
W796	61-24-00	M7078/34-22-2
W797	61-24-00	M27500-22TE2T14
W798	61-24-00	M27500-22TE2T14
W799	61-24-00	M27500-22TE2T14
W800	61-24-00	M27500-22TE2T14
W801	61-24-00	M7078/34-20-2
W802	61-24-00	M7078/34-20-2
W803	61-24-00	M7078/34-20-2
W804	61-24-00	M7078/34-20-2
W904	32-43-01	M27500-22TE2T14
W905	32-43-01	M27500-22TE2T14
W906	32-43-01	M27500-22TE2T14
W907	32-43-01	M27500-22TE2T14
W908	32-43-01	M27500-22TE2T14
W909	32-43-01	M27500-22TE2T14
W910	32-43-01	M27500-22TE2T14
W911	32-43-01	M27500-22TE2T14
W912	27-31-02	M27500-22TE2T14
W912	27-31-03	M27500-22TE2T14
W912	33-19-00	M27500-22TE2T14
W913	27-31-01	M27500-22TE2T15
W913	27-31-03	M27500-22TE2T15
W913	33-19-00	M27500-22TE2T15
W914	30-10-05	M27500-20TE2U15
W923	30-10-04	M27500-20TE2U15
W924	30-10-04	M27500-20TE2U15
XDS102	33-13-00	STD986-2
XDS102J1	33-13-00	1-480350-0
XDS103	33-13-00	STD986-2
XDS103J1	33-13-00	1-480350-0
XDS106	33-44-00	4270517
XDS107	33-44-00	4270517
XDS108	33-44-00	90-384040
XDS113	33-13-00	3089-01
XDS139	33-18-00	34170-9-3051F
XDS141	33-44-00	90-384040
XDS142	33-18-00	B-3550-7
XDS142	33-18-01	B-3550-7

Reference Designator	GAMA/ATA Code	Part Number
XDS178	33-18-00	B-3550-7
XDS178	33-18-01	B-3550-7
XF100	24-51-02	3967
XF100	24-51-02	3967
XF101	24-51-02	3968
XF101	24-51-02	3968
XF102	24-51-02	3967
XF102	24-51-02	3967
XF103	24-51-02	3968
XF103	24-51-02	3968
XF104	24-51-02	EM103
XF104	24-51-02	EM103
XF105	24-51-01	3968
XF105	24-51-01	3968
XF105	24-51-01	3968
XF106	24-51-01	3967
XF106	24-51-01	3967
XF106	24-51-01	3967
XF107	24-51-01	3968
XF107	24-51-01	3968
XF108	24-51-01	3967
XF108	24-51-01	3967
XF108	24-51-01	3967
XF109	24-51-01	EM103
XF109	24-51-01	EM103
XF109	24-51-01	EM103
XF111	24-51-02	3967
XF111	24-51-02	3967
XF112	24-51-02	3967
XF112	24-51-02	3967
XF113	24-51-01	3968
XF113	24-51-01	3968
XF113	24-51-01	3968
XF114	24-51-01	3967
XF114	24-51-01	3967
XF114	24-51-01	3967
XF117	24-51-01	EM103
XF117	24-51-01	EM103
XF117	24-51-01	EM103
XF144	30-10-01	HWA-AF
XF145	30-10-01	HWA-AF
XF146	30-10-01	HWA-AF
XF147	30-10-01	HWA-AF
XF148	30-10-01	HWA-AF
XF149	30-10-01	HWA-AF
XK108	24-31-01	451116-371
XK108	24-31-01	451116-371
XK109	24-31-02	451116-371
2450CB18	24-54-03	131984-5
2450CB18	24-54-03	131984-5
2450CB18	24-54-03	131984-5
2450CB37	24-54-03	131984-10
2450CB37	24-54-03	131984-10
2450CB37	24-54-03	131984-10
2450CB43	24-54-03	131984-15
2450CB43	24-54-03	131984-15
2450CB43	24-54-03	131984-15

**Beechcraft**  
**STARSHIP 1**  
**WIRING DIAGRAM MANUAL**

**PART NUMBER INDEX**  
**LIST OF PAGE EFFECTIVITY**

<b>CHAPTER SECTION SUBJECT</b>	<b>PAGE</b>	<b>DATE</b>
PART NUMBER-EFFECTIVITY	1	February 25, 1994
PART NUMBER INDEX	1 thru 31	February 25, 1994 February 25, 1994

Beechcraft  
STARSHIP 1  
WIRING DIAGRAM MANUAL  
PART NUMBER INDEX

Part Number	GAMA/ATA Code	Reference Designator
#85	33-17-08	A237M1DS1
#85	33-17-08	A237M1DS2
#85	33-17-08	A237M2DS1
#85	33-17-08	A237M2DS2
#85	33-17-08	A238M1DS1
#85	33-17-08	A238M1DS2
#85	33-17-08	A238M2DS1
#85	33-17-08	A238M2DS2
#85	33-17-08	A239M1DS1
#85	33-17-08	A239M1DS2
#85	33-17-08	A239M2DS1
#85	33-17-08	A239M2DS2
#85	33-17-08	A240M1DS1
#85	33-17-08	A240M1DS2
#85	33-17-08	A240M2DS1
#85	33-17-08	A240M2DS2
#85	33-17-08	A241M1DS1
#85	33-17-08	A241M1DS2
#85	33-17-08	A241M2DS1
#85	33-17-08	A241M2DS2
#85	33-17-08	A242M1DS1
#85	33-17-08	A242M1DS2
#85	33-17-08	A242M2DS1
#85	33-17-08	A242M2DS2
#85	33-17-08	A243M1DS1
#85	33-17-08	A243M1DS2
#85	33-17-08	A243M2DS1
#85	33-17-08	A243M2DS2
#85	33-17-08	A244M1DS1
#85	33-17-08	A244M1DS2
#85	33-17-08	A244M2DS1
#85	33-17-08	A244M2DS2
#85	33-17-14	A227M1DS1
#85	33-17-14	A227M1DS2
#85	33-17-14	A227M2DS1
#85	33-17-14	A227M2DS2
#85	33-17-14	A228M1DS1
#85	33-17-14	A228M1DS2
#85	33-17-14	A228M2DS1
#85	33-17-14	A228M2DS2
#85	33-17-14	A229M1DS1
#85	33-17-14	A229M1DS2
#85	33-17-14	A229M2DS1
#85	33-17-14	A229M2DS2
#85	33-17-14	A230M1DS1
#85	33-17-14	A230M1DS2
#85	33-17-14	A230M2DS1
#85	33-17-14	A230M2DS2
#85	33-17-14	A231M1DS1
#85	33-17-14	A231M1DS2
#85	33-17-14	A231M2DS1
#85	33-17-14	A231M2DS2
#85	33-17-14	A232M1DS1
#85	33-17-14	A232M1DS2
#85	33-17-14	A232M2DS1
#85	33-17-14	A232M2DS2
A-1437	28-21-01	E245
A-1437	28-21-01	E246

Part Number	GAMA/ATA Code	Reference Designator
A-2064-1683	33-42-00	A170DS1
ACH-15	24-51-02	F132
ACH-15	24-51-02	F132
ACH-15	24-56-00	F132
ACH-20	24-51-01	F100
ACH-20	24-51-01	F104
ACH-20	24-51-01	F124
ACH-20	24-51-01	F125
ACH-20	24-51-01	F138
ACH-20	24-51-01	F100
ACH-20	24-51-01	F104
ACH-20	24-51-01	F124
ACH-20	24-51-01	F125
ACH-20	24-51-01	F138
ACH-20	24-51-01	F100
ACH-20	24-51-01	F104
ACH-20	24-51-01	F124
ACH-20	24-51-01	F125
ACH-20	24-51-01	F138
ACH-20	24-51-01	F124
ACH-20	24-51-01	F125
ACH-20	24-51-01	F138
ACH-20	24-51-01	F138
ACH-20	24-51-02	F113
ACH-20	24-51-02	F141
ACH-20	24-51-02	F113
ACH-20	24-51-02	F141
ACH-20	32-43-02	F141
ACH-20	32-43-02	F141
ACH-25	24-51-02	F127
ACH-25	24-51-02	F128
ACH-25	24-51-02	F129
ACH-25	24-51-02	F130
ACH-25	24-51-02	F131
ACH-25	24-51-02	F127
ACH-25	24-51-02	F128
ACH-25	24-51-02	F129
ACH-25	24-51-02	F130
ACH-25	24-51-02	F131
ACH-30	24-51-01	F103
ACH-30	24-51-01	F105
ACH-30	24-51-01	F106
ACH-30	24-51-01	F103
ACH-30	24-51-01	F105
ACH-30	24-51-01	F106
ACH-30	24-51-01	F103
ACH-30	24-51-01	F105
ACH-30	24-51-01	F106
ACH-30	24-51-02	F112
ACH-30	24-51-02	F114
ACH-30	24-51-02	F115
ACH-30	24-51-02	F112
ACH-30	24-51-02	F114
ACH-30	24-51-02	F115
ACH-35	24-51-01	F139
ACH-35	24-51-01	F140
ACH-35	24-51-01	F139
ACH-35	24-51-01	F140
ACH-35	24-51-01	F139
ACH-35	24-51-01	F140
ACH-50	24-51-01	F101
ACH-50	24-51-01	F101

**Beechcraft**  
**STARSHIP 1**  
**WIRING DIAGRAM MANUAL**  
**PART NUMBER INDEX (CONTINUED)**

Part Number	GAMA/ATA Code	Reference Designator
ACH-50	24-51-01	F101
ACH-50	24-51-02	F110
ACH-50	24-51-02	F110
ACH-50	24-56-00	F101
ACH-50	24-56-00	F110
ACH-60	24-33-00	F123
ACH-60	24-51-01	F108
ACH-60	24-51-01	F108
ACH-60	24-51-01	F108
ACH-60	24-51-02	F116
ACH-60	24-51-02	F126
ACH-60	24-51-02	F116
ACH-60	24-51-02	F126
AML24EB2AC01	33-17-08	A237S2
AML24EB2AC01	33-17-08	A238S2
AML24EB2AC01	33-17-08	A239S2
AML24EB2AC01	33-17-08	A240S2
AML24EB2AC01	33-17-08	A241S2
AML24EB2AC01	33-17-08	A242S2
AML24EB2AC01	33-17-08	A243S2
AML24EB2AC01	33-17-08	A244S2
AML24EB2AC01	33-17-11	A227S1
AML24EB2AC01	33-17-11	A228S1
AML24EB2AC01	33-17-11	A229S1
AML24EB2AC01	33-17-12	A230S1
AML24EB2AC01	33-17-12	A231S1
AML24EB2AC01	33-17-12	A232S1
AML24EB2AC01	33-17-14	A227S1
AML24EB2AC01	33-17-14	A228S1
AML24EB2AC01	33-17-14	A229S1
AML24EB2AC01	33-17-14	A230S1
AML24EB2AC01	33-17-14	A231S1
AML24EB2AC01	33-17-14	A232S1
AML24EB2AC05	33-17-08	A237S1
AML24EB2AC05	33-17-08	A238S1
AML24EB2AC05	33-17-08	A239S1
AML24EB2AC05	33-17-08	A240S1
AML24EB2AC05	33-17-08	A241S1
AML24EB2AC05	33-17-08	A242S1
AML24EB2AC05	33-17-08	A243S1
AML24EB2AC05	33-17-08	A244S1
AML24FBA2CA01	33-18-00	S234
AML24FBA2CA01	33-18-01	S234
AML41GBA2	33-17-08	A237M1
AML41GBA2	33-17-08	A237M2
AML41GBA2	33-17-08	A238M1
AML41GBA2	33-17-08	A238M2
AML41GBA2	33-17-08	A239M1
AML41GBA2	33-17-08	A239M2
AML41GBA2	33-17-08	A240M1
AML41GBA2	33-17-08	A240M2
AML41GBA2	33-17-08	A241M1
AML41GBA2	33-17-08	A241M2
AML41GBA2	33-17-08	A242M1
AML41GBA2	33-17-08	A242M2
AML41GBA2	33-17-08	A243M1
AML41GBA2	33-17-08	A243M2
AML41GBA2	33-17-08	A244M1

Part Number	GAMA/ATA Code	Reference Designator
AML41GBA2	33-17-08	A244M2
AML41GBA2	33-17-14	A227M1
AML41GBA2	33-17-14	A227M2
AML41GBA2	33-17-14	A228M1
AML41GBA2	33-17-14	A228M2
AML41GBA2	33-17-14	A229M1
AML41GBA2	33-17-14	A229M2
AML41GBA2	33-17-14	A230M1
AML41GBA2	33-17-14	A230M2
AML41GBA2	33-17-14	A231M1
AML41GBA2	33-17-14	A231M2
AML41GBA2	33-17-14	A232M1
AML41GBA2	33-17-14	A232M2
AML51-F40R-FSB	33-17-08	A237M2A
AML51-F40R-FSB	33-17-08	A238M2A
AML51-F40R-FSB	33-17-08	A239M2A
AML51-F40R-FSB	33-17-08	A240M2A
AML51-F40R-FSB	33-17-08	A241M2A
AML51-F40R-FSB	33-17-08	A242M2A
AML51-F40R-FSB	33-17-08	A243M2A
AML51-F40R-FSB	33-17-08	A244M2A
AML51-F40R-FSB	33-17-14	A227M2A
AML51-F40R-FSB	33-17-14	A228M2A
AML51-F40R-FSB	33-17-14	A229M2A
AML51-F40R-FSB	33-17-14	A230M2A
AML51-F40R-FSB	33-17-14	A231M2A
AML51-F40R-FSB	33-17-14	A232M2A
AML51-F40R-SMK	33-17-08	A237M1A
AML51-F40R-SMK	33-17-08	A238M1A
AML51-F40R-SMK	33-17-08	A239M1A
AML51-F40R-SMK	33-17-08	A240M1A
AML51-F40R-SMK	33-17-08	A241M1A
AML51-F40R-SMK	33-17-08	A242M1A
AML51-F40R-SMK	33-17-08	A243M1A
AML51-F40R-SMK	33-17-08	A244M1A
AML51-F40R-SMK	33-17-14	A227M1A
AML51-F40R-SMK	33-17-14	A228M1A
AML51-F40R-SMK	33-17-14	A229M1A
AML51-F40R-SMK	33-17-14	A230M1A
AML51-F40R-SMK	33-17-14	A231M1A
AML51-F40R-SMK	33-17-14	A232M1A
AML54-F20K-R	33-17-08	A237S2A
AML54-F20K-R	33-17-08	A238S2A
AML54-F20K-R	33-17-08	A239S2A
AML54-F20K-R	33-17-08	A240S2A
AML54-F20K-R	33-17-08	A241S2A
AML54-F20K-R	33-17-08	A242S2A
AML54-F20K-R	33-17-08	A243S2A
AML54-F20K-R	33-17-08	A244S2A
AML54-F20K-R	33-17-11	A227S1A
AML54-F20K-R	33-17-11	A228S1A
AML54-F20K-R	33-17-11	A229S1A
AML54-F20K-R	33-17-12	A230S1A
AML54-F20K-R	33-17-12	A231S1A
AML54-F20K-R	33-17-12	A232S1A
AML54-F20K-R	33-17-14	A227S1A
AML54-F20K-R	33-17-14	A228S1A
AML54-F20K-R	33-17-14	A229S1A

Beechcraft  
**STARSHIP 1**  
**WIRING DIAGRAM MANUAL**  
*PART NUMBER INDEX (CONTINUED)*

Part Number	GAMA/ATA Code	Reference Designator
AML54-F20K-R	33-17-14	A230S1A
AML54-F20K-R	33-17-14	A231S1A
AML54-F20K-R	33-17-14	A232S1A
AML54-F20K-W	33-17-08	A237S1A
AML54-F20K-W	33-17-08	A238S1A
AML54-F20K-W	33-17-08	A239S1A
AML54-F20K-W	33-17-08	A240S1A
AML54-F20K-W	33-17-08	A241S1A
AML54-F20K-W	33-17-08	A242S1A
AML54-F20K-W	33-17-08	A243S1A
AML54-F20K-W	33-17-08	A244S1A
ANL-M-400	24-51-01	F120
ANL-M-400	24-51-01	F120
ANL-M-400	24-51-01	F120
ANL-M-400	24-51-02	F119
ANL-M-400	24-51-02	F119
ANL-M-80	24-51-01	F133
ANL-M-80	24-51-01	F133
ANL-M-80	24-51-01	F133
ANL-M-80	24-51-02	F134
ANL-M-80	24-51-02	F142
ANL-M-80	24-51-02	F134
ANL-M-80	24-51-02	F142
AN4-5A	24-35-00	GS103
AN4-5A	24-35-00	GS104
AN4-5A	24-35-00	GS105
AN5-5	24-31-01	GS113
AN5-5	24-31-01	GS115
AN5-5	24-31-01	GS117
AN5-5	24-31-01	GS113
AN5-5	24-31-01	GS115
AN5-5	24-31-01	GS117
AN5-5	24-31-02	GS112
AN5-5	24-31-02	GS114
AN5-5	24-31-02	GS116
A213796	61-24-00	E124
A213796	61-24-00	E124
A3-202-05	27-31-03	S295
A508	33-42-00	A108DS2
A508	33-42-00	A109DS2
A600-PG-D28RH	33-42-00	A108
A600-PG-D28RH	33-43-00	A108
A600-PR-D28LH	33-42-00	A109
A600-PR-D28LH	33-43-00	A109
B-3550-7	33-18-00	XDS142
B-3550-7	33-18-00	XDS178
B-3550-7	33-18-01	XDS142
B-3550-7	33-18-01	XDS178
BZ-2RQ1T04	32-43-01	S294
CM-04402-3	27-31-02	A199
CM42873	33-10-02	R100
CM42873	33-10-02	R101
DBM25PD	24-33-00	A125J1
DBM25PD	24-41-00	A127J1
DBM25PD	24-41-01	A127J1
DBM25PD	30-42-00	A127J1
DBM25PD	32-31-01	A142J1
DBM25PD	32-42-00	A176J1

Part Number	GAMA/ATA Code	Reference Designator
DBM25PD	32-43-01	A176J1
DBM25PD	61-23-00	A176J1
DCM37PD	30-10-01	A215J2
DDMM50PE	91-23-00	J485
DDM50PD	24-34-01	A126J1
DDM50PD	24-34-02	A126J1
DDM50PD	27-50-01	A144J1
DDM50PD	27-50-01	A144J1
DDM50PD	27-50-03	A181J1
DDM50PD	27-50-04	A180J1
DDM50PD	30-10-02	A215J1
DDM50PD	31-51-01	A135J1
DDM50PD	31-51-02	A137J1
DDM50PD	32-31-01	A161J2
DDM50PD	32-31-02	A161J2
DDM50PD	33-10-01	A163J1
DDM50PD	91-37-00	A130J1
DDM50PD	91-39-00	A134J1
DDM50PD	91-40-00	A182J1
DDM50PD	91-40-00	A182J1
DDM50PD	91-42-00	A211J1
D38999/20FE35PA	31-51-04	E151J1
D38999/20FE35PA	31-51-05	E152J1
D38999/20FE35PB	31-51-04	E151J2
D38999/20FE35PB	31-51-05	E152J2
D38999/26FA98SN	79-30-00	P482
D38999/26FA98SN	79-30-00	P483
D38999/26FE35SA	31-51-04	P508
D38999/26FE35SA	31-51-05	P510
D38999/26FE35SB	31-51-04	P509
D38999/26FE35SB	31-51-05	P511
EM103	24-51-01	XF109
EM103	24-51-01	XF117
EM103	24-51-01	XF109
EM103	24-51-01	XF117
EM103	24-51-01	XF109
EM103	24-51-01	XF117
EM103	24-51-02	XF104
EM103	24-51-02	XF104
FCA-125-14	33-44-00	K104
FCA-125-14	33-44-00	K105
FCA-125-14	33-44-00	K121
FCA-125-14	33-44-00	K128
FCA-325-45	24-54-04	A164K2
FCA-325-45	24-54-04	A164K2
FCA325-45	24-41-00	K141
FCA325-45	24-41-01	K141
GMW2A	30-10-01	F144
GMW2A	30-10-01	F145
GMW2A	30-10-01	F146
GMW2A	30-10-01	F147
GMW2A	30-10-01	F148
GMW2A	30-10-01	F149
HWA-AF	30-10-01	XF144
HWA-AF	30-10-01	XF145
HWA-AF	30-10-01	XF146
HWA-AF	30-10-01	XF147
HWA-AF	30-10-01	XF148

Beechcraft  
**STARSHIP 1**  
**WIRING DIAGRAM MANUAL**  
*PART NUMBER INDEX (CONTINUED)*

Part Number	GAMA/ATA Code	Reference Designator
HWA-AF	30-10-01	XF149
H11-1476	32-31-02	S184
H11-1476	32-31-02	S187
H11-1476	32-31-03	S186
H11-1476	32-31-03	S188
H11-1476	32-31-03	S189
H11-1476	32-31-03	S190
H11-1476	32-31-03	S191
H11-1476	32-31-03	S192
H11-1627	32-31-02	S184
H11-1627	32-31-02	S187
H11-1627	32-31-03	S186
H11-1627	32-31-03	S188
H11-1627	32-31-03	S189
H11-1627	32-31-03	S190
H11-1627	32-31-03	S191
H11-1627	32-31-03	S192
J20125-31	33-18-01	A233S1
J20125-31	33-18-01	A236S1
LMD-3001-P	24-33-00	J957
LMD-3001-P	79-30-00	J962
LMD-3001-P	91-20-00	J959
LMD-3001-P	91-30-00	J963
LMD-3001-S	24-33-00	P957
LMD-3001-S	79-30-00	P962
LMD-3001-S	91-20-00	P959
LMD-3001-S	91-30-00	P963
LS-5022	31-51-06	S235
MB2011SW01BK	28-22-01	S269
MB2011SW01BK	28-22-02	S270
MB2011SW06BK	21-31-02	S124
MB2011SW06BK	24-33-00	S267
MB2011SW06BK	26-11-00	S118
MB2011SW06BK	26-11-00	S121
MB2011SW06BK	26-12-00	S182
MB2011SW06BK	27-50-03	S261
MB2011SW06BK	27-50-04	S262
MB2011SW06BK	28-44-00	S177
MB2011SW06BK	30-10-01	S321
MB2011SW06BK	32-62-00	S125
MB2011SW06BK	33-19-00	S127
MB2061SW06BK	26-21-01	S116
MB2061SW06BK	26-21-02	S117
MB2061SW06BK	27-31-01	S122
MB2061SW06BK	30-81-00	S123
MB2061SW06BK	30-81-00	S305
MB2061SW06BK	31-51-03	S126
MB2061SW06BK	33-19-00	S128
MJ11014	33-10-05	A168Q1
MJ11014	33-10-05	A168Q2
MJ11014	33-10-05	A168Q3
MJ11014	33-10-05	A168Q4
MJ11014	33-10-05	A168Q5
MJ11014	33-10-05	A168Q6
MRTB20E03	28-22-02	TB125
MRTB20E04	24-34-01	TB113
MRTB20E04	24-34-01	TB114
MRTB20E04	28-22-01	TB124

Part Number	GAMA/ATA Code	Reference Designator
MRTB20E04	28-22-02	TB126
MRTB20E04	31-51-03	TB150
MRTB20E04	31-51-07	TB115
MRTB20E04	31-51-07	TB118
MRTB20E04	31-51-07	TB119
MRTB20E04	31-51-07	TB120
MRTB20E04	31-51-07	TB121
MRTB20E04	31-51-07	TB127
MRTB20E04	32-62-00	TB128
MR510	21-32-00	CR498
MR510	21-32-00	CR499
MR510	21-32-00	CR498
MR510	21-32-00	CR499
MR510	24-54-01	CR221
MR510	24-54-01	CR222
MR510	24-54-01	CR223
MR510	24-54-01	CR234
MR510	30-10-03	CR469
MR510	30-10-03	CR470
MR510	30-10-03	CR491
MR510	30-10-03	CR492
MR510	30-10-04	CR473
MR510	30-10-04	CR474
MR510	30-10-04	CR480
MR510	30-10-04	CR482
MR510	30-10-05	CR471
MR510	30-10-05	CR472
MR510	30-10-05	CR481
MR510	30-10-05	CR483
MR510	30-81-00	CR497
MR510	33-10-03	CR490
MR510	33-10-03	CR490
MR510	33-17-11	CR518
MR510	33-17-11	CR519
MR510	33-17-11	CR520
MR510	33-17-12	CR522
MR510	33-17-12	CR523
MR510	33-17-12	CR524
MR510	33-17-12	CR525
MR510	33-17-13	CR527
MR510	33-18-01	CR526
MS15570-303	33-17-01	A169DS1
MS15570-303	33-17-15	A169DS1
MS15570-303	33-18-00	DS142
MS15570-303	33-18-00	DS178
MS15570-303	33-18-01	DS142
MS15570-303	33-18-01	DS178
MS21347-731	27-31-02	S131
MS21347-731	28-11-00	S141
MS21347-731	28-11-00	S142
MS21347-731	73-32-00	S141
MS21347-731	73-32-00	S142
MS21347-731	73-32-00	S141
MS21347-731	73-32-00	S142
MS24376-D2	27-50-03	K123
MS24376-D2	27-50-04	K122
MS24523-23	28-21-02	S161

**Beechcraft**  
**STARSHIP 1**  
**WIRING DIAGRAM MANUAL**  
*PART NUMBER INDEX (CONTINUED)*

Part Number	GAMA/ATA Code	Reference Designator
MS24523-23	28-21-02	S163
MS24523-23	30-31-00	S132
MS24523-23	30-31-00	S133
MS24523-27	30-10-01	S143
MS24523-27	30-10-01	S144
MS24524-27	61-23-00	S149
MS24693-S28	24-54-03	GS132
MS24693-S28	24-54-03	GS133
MS24693-S28	24-54-03	GS143
MS24693-S28	24-54-03	GS144
MS24693-S28	24-54-03	GS145
MS24693-S28	24-54-03	GS146
MS24693-S28	24-54-03	GS132
MS24693-S28	24-54-03	GS133
MS24693-S28	24-54-03	GS143
MS24693-S28	24-54-03	GS144
MS24693-S28	24-54-03	GS145
MS24693-S28	24-54-03	GS146
MS24693-S28	24-54-03	GS132
MS24693-S28	24-54-03	GS133
MS24693-S28	24-54-03	GS143
MS24693-S28	24-54-03	GS144
MS24693-S28	24-54-03	GS145
MS24693-S28	24-54-03	GS146
MS24698-S23	24-54-01	GS136
MS24698-S23	24-54-01	GS138
MS24698-S23	24-54-01	GS141
MS24698-S23	24-54-01	GS142
MS24698-S23	24-54-02	GS139
MS24698-S23	24-54-02	GS141
MS24698-S23	24-54-02	GS142
MS24698-23S	24-54-02	GS137
MS25041-7-327	79-30-00	A150
MS25041-7-327	79-30-00	A151
MS25069-1495	33-13-00	DS102
MS25069-1495	33-13-00	DS103
MS25083-2BB5	24-35-00	BS101
MS25226-4-5	24-35-00	W100
MS25237-327	32-31-02	A100DS1
MS25237-327	32-31-02	A100DS2
MS27212-1-4	24-54-04	A164TB1
MS27212-1-4	24-54-04	A164TB1
MS27212-1-9	32-43-02	A201TB1
MS27212-1-9	32-43-02	A201TB1
MS27212-2-15	24-51-01	TB102
MS27212-2-15	24-51-01	TB102
MS27212-2-15	24-51-01	TB102
MS27212-2-15	32-43-02	TB102
MS27212-2-15	32-43-02	TB102
MS27212-2-6	24-35-00	TB112
MS27212-5-5	24-35-00	TB116
MS27212-5-5	24-35-00	TB117
MS27473E14B18S	61-24-00	P342
MS27473E14B18S	61-24-00	P342
MS27473T20A16S	24-31-01	P227
MS27473T20A16S	24-31-01	P227
MS27743-18	28-21-02	A129K5
MS27743-18	28-21-02	A129K6

Part Number	GAMA/ATA Code	Reference Designator
MS27743-18	32-61-00	A129K33
MS27743-18	32-61-00	A129K34
MS28034	79-31-00	RT100
MS28034	79-31-00	RT107
MS28034-1	28-45-00	RT109
MS3102E-10SL-3S	33-43-00	PS117J1
MS3102E-10SL-3S	33-43-00	PS118J1
MS3102E20-23P	27-50-02	E142J1
MS3106F20-23S	27-50-01	P747
MS3106F20-23S	27-50-01	P747
MS3106F20-23S	27-50-02	P671
MS3112E12-10P	27-50-02	E142J2
MS3112E8-4P	21-51-00	B108J1
MS3112E8-4P	21-51-00	B108J1
MS3114-14-19P	28-22-01	E133J1
MS3114-14-19P	28-22-02	E134J1
MS3114-14-19PX	28-22-01	E133J2
MS3114-14-19PX	28-22-02	E134J2
MS3114H10-8P	28-22-01	MT105J1
MS3114H10-8P	28-22-01	MT107J1
MS3114H10-8P	28-22-01	MT109J1
MS3114H10-8P	28-22-01	MT111J1
MS3114H10-8P	28-22-02	MT104J1
MS3114H10-8P	28-22-02	MT106J1
MS3114H10-8P	28-22-02	MT108J1
MS3114H10-8P	28-22-02	MT110J1
MS3116E8-4S	28-44-00	P447
MS3116E8-4S	28-44-00	P448
MS3116F8-3S	21-31-01	P744
MS3116F8-4S	21-21-00	P401
MS3116F8-4S	21-51-00	P736
MS3116F8-4S	21-51-00	P736
MS3116F8-4S	32-31-01	P325
MS3116F8-4S	32-51-00	P392
MS3116F8-4S	79-34-00	P418
MS3116F8-4S	79-34-00	P419
MS3116F8-4SW	32-31-01	P410
MS3120E12-10S	27-31-02	P918
MS3120E12-10S	27-31-03	P919
MS3122E-10-6P	33-43-00	PS117J2
MS3122E-10-6P	33-43-00	PS118J2
MS3122E20-41P	24-33-00	A118J1
MS3122E20-41P	91-28-00	A116J1
MS3122E20-41P	91-29-00	A117J1
MS3122E8-3P	27-50-02	E210J1
MS3126E10-6S	33-43-00	P663
MS3126E10-6S	33-43-00	P664
MS3126F16-26S	27-31-03	P925
MS3126F20-41S	27-31-01	P921
MS3126F20-41S	27-31-02	P920
MS3126L16-26S	32-43-01	P906
MS3450KT28-11S	91-13-00	J264
MS3450KT28-21S	91-15-00	J329
MS3450KT28-21S	91-16-00	J330
MS3450L18-1S	27-50-03	P749
MS3450L18-1S	27-50-04	P748
MS3451L10SL-4P	33-46-00	J638
MS3451L10SL-4P	33-46-00	J900

**Beechcraft**  
**STARSHIP 1**  
**WIRING DIAGRAM MANUAL**  
**PART NUMBER INDEX (CONTINUED)**

Part Number	GAMA/ATA Code	Reference Designator
MS3452L28-11P	24-33-00	A119J1
MS3456KT14S-5S	26-11-00	P734
MS3456KT14S-5S	26-11-00	P735
MS3456KT18-1P	27-50-03	J749
MS3456KT18-1P	27-50-04	J748
MS3456KT28-11P	91-13-00	P264
MS3456KT28-11P	91-14-00	P265
MS3456KT28-11S	91-14-00	J265
MS3456KT28-21P	91-15-00	P329
MS3456KT28-21P	91-16-00	P330
MS3456L10-3S	32-42-00	P722
MS3456L10S-3S	61-22-02	P442
MS3456L10SL-3P	33-43-00	P661
MS3456L10SL-3P	33-43-00	P662
MS3456L10SL-3S	28-21-01	P316
MS3456L10SL-3S	28-43-00	P413
MS3456L10SL-3S	28-43-00	P414
MS3456L10SL-3S	30-81-00	P987
MS3456L10SL-3S	32-42-00	P720
MS3456L10SL-3S	61-22-01	E132
MS3456L10SL-3S	61-22-01	P443
MS3456L10SL-3S	61-22-01	P445
MS3456L10SL-3S	61-22-02	E220
MS3456L10SL-3S	61-22-02	P444
MS3456L10SL-3S	61-24-00	P439
MS3456L10SL-3S	61-24-00	P439
MS3456L10SL-3S	79-33-00	P420
MS3456L10SL-3S	79-33-00	P421
MS3456L10SL-3S	80-11-00	P283
MS3456L10SL-3S	80-11-00	P284
MS3456L10SL-4S	32-43-02	P928
MS3456L10SL-4S	32-43-02	P1016
MS3456L10SL-4S	32-43-02	P1017
MS3456L10SL-4S	32-43-02	P928
MS3456L10SL-4S	33-46-00	P638
MS3456L10SL-4S	33-46-00	P900
MS3456L10SL-4S	61-23-00	P440
MS3456L10SL-4S	61-23-00	P441
MS3456L10SL3S	61-24-00	P438
MS3456L10SL3S	61-24-00	P438
MS3456L12S-3S	28-45-00	P727
MS3456L12S-3S	61-42-00	P436
MS3456L12S-3S	61-42-00	P437
MS3456L12S-3S	74-11-01	P431
MS3456L12S-3S	74-11-02	P430
MS3456L12S-3S	77-12-00	P426
MS3456L12S-3S	77-12-00	P427
MS3456L12S-3S	79-31-00	P424
MS3456L12S-3S	79-31-00	P425
MS3456L12S-3S	79-32-00	P422
MS3456L12S-3S	79-32-00	P423
MS3456L14S-2S	77-11-00	P428
MS3456L14S-2S	77-11-00	P429
MS3456L16-1S	33-10-01	P704
MS3456L18-1S	30-41-00	P791
MS3456L18-1S	30-41-00	P793
MS3456L18-1S	30-41-00	P794
MS3456L18-1S	30-41-00	P795

Part Number	GAMA/ATA Code	Reference Designator
MS3456L28-11S	24-33-00	P331
MS3470L12-10P	61-24-00	J1083
MS3470L14-12P	32-43-02	A201J1
MS3470L14-12P	32-43-02	A201J1
MS3471L10-10P	30-21-01	J361
MS3471L10-6P	24-33-00	P965
MS3471L10-6P	26-21-01	P966
MS3471L10-6P	26-21-02	P965
MS3471L10-6P	27-31-02	A208J1
MS3471L10-6P	30-21-02	J360
MS3471L10-6P	32-31-02	J387
MS3471L10-6P	32-31-03	J107
MS3471L10-6P	32-31-03	J386
MS3471L10-6P	33-42-00	J667
MS3471L10-6P	33-42-00	J668
MS3471L10-6P	33-43-00	J667
MS3471L10-6P	33-43-00	J668
MS3471L10-6P	61-24-00	P1089
MS3471L10-6P	61-24-00	P1090
MS3471L10-6P	76-21-01	P966
MS3471L10-6P	76-21-02	P965
MS3471L10-6P	79-30-00	P965
MS3471L10-6P	79-30-00	P966
MS3471L10-6PW	32-31-02	J389
MS3471L10-6PW	32-31-03	J106
MS3471L10-6PW	32-31-03	J388
MS3471L10-6S	61-24-00	J1089
MS3471L12-10P	33-17-01	J385
MS3471L12-10P	33-17-15	J385
MS3471L12-3P	30-10-03	J990
MS3471L12-3P	30-10-03	J991
MS3471L12-3P	30-10-04	J994
MS3471L12-3P	30-10-05	J995
MS3471L12-8P	21-32-00	J271
MS3471L12-8P	21-32-00	J272
MS3471L14-12P	30-10-01	J979
MS3471L14-12P	32-31-03	J108
MS3471L14-12PW	32-31-03	J109
MS3471L14-18P	91-31-00	J390
MS3471L14-18P	91-32-00	J391
MS3471L14-18P	91-44-00	J892
MS3471L18-32P	33-17-06	J832
MS3471L18-32P	91-50-00	J800
MS3471L20-41P	91-38-00	J801
MS3471L8-33P	27-50-03	J751
MS3471L8-33P	27-50-04	J750
MS3471L8-33P	30-10-03	J988
MS3471L8-33P	30-10-03	J989
MS3471L8-33P	30-10-04	J992
MS3471L8-33P	30-10-04	J996
MS3471L8-33P	30-10-05	J993
MS3471L8-33P	30-10-05	J997
MS3471L8-33P	32-51-00	J956
MS3471L8-33P	76-21-01	J961
MS3471L8-33P	76-21-02	J960
MS3471L8-33P	79-30-00	J710
MS3471L8-33P	79-30-00	J711
MS3472L14-12P	24-56-00	A128J1



**Beechcraft**  
**STARSHIP 1**  
**WIRING DIAGRAM MANUAL**  
**PART NUMBER INDEX (CONTINUED)**

Part Number	GAMA/ATA Code	Reference Designator
MS3472L20-41P	24-54-04	A164J1
MS3472L20-41P	24-54-04	A164J1
MS3475L10-6S	33-42-00	P667
MS3475L10-6S	33-42-00	P668
MS3475L10-6S	33-43-00	P667
MS3475L10-6S	33-43-00	P668
MS3476L10-6S	21-52-00	P393
MS3476L10-6S	24-33-00	J965
MS3476L10-6S	26-21-01	J966
MS3476L10-6S	26-21-02	J965
MS3476L10-6S	27-31-02	P922
MS3476L10-6S	28-22-01	P367
MS3476L10-6S	28-22-01	P369
MS3476L10-6S	28-22-01	P371
MS3476L10-6S	28-22-01	P373
MS3476L10-6S	28-22-02	P368
MS3476L10-6S	28-22-02	P370
MS3476L10-6S	28-22-02	P372
MS3476L10-6S	28-22-02	P374
MS3476L10-6S	30-21-01	P359
MS3476L10-6S	30-21-01	P361
MS3476L10-6S	30-21-02	P358
MS3476L10-6S	30-21-02	P360
MS3476L10-6S	32-31-01	P326
MS3476L10-6S	32-31-02	P387
MS3476L10-6S	32-31-03	P107
MS3476L10-6S	32-31-03	P386
MS3476L10-6S	32-42-00	P719
MS3476L10-6S	35-10-00	P543
MS3476L10-6S	61-22-01	P433
MS3476L10-6S	61-22-02	P432
MS3476L10-6S	61-24-00	J1090
MS3476L10-6S	73-31-00	P434
MS3476L10-6S	73-31-00	P435
MS3476L10-6S	74-11-01	P433
MS3476L10-6S	74-11-02	P432
MS3476L10-6S	76-21-01	J966
MS3476L10-6S	76-21-02	J965
MS3476L10-6S	79-30-00	J965
MS3476L10-6S	79-30-00	J966
MS3476L10-6SW	32-31-02	P389
MS3476L10-6SW	32-31-03	P106
MS3476L10-6SW	32-31-03	P388
MS3476L12-1S	76-21-01	P287
MS3476L12-10S	30-81-00	P500
MS3476L12-10S	30-81-00	P934
MS3476L12-10S	30-82-00	P1099
MS3476L12-10S	33-17-01	P385
MS3476L12-10S	33-17-15	P385
MS3476L12-3S	30-10-03	P990
MS3476L12-3S	30-10-03	P991
MS3476L12-3S	30-10-04	P994
MS3476L12-3S	30-10-05	P995
MS3476L12-8S	21-32-00	P271
MS3476L12-8S	21-32-00	P272
MS3476L12-8S	21-32-00	P584
MS3476L12-8S	21-32-00	P768
MS3476L12-8S	21-32-00	P769

Part Number	GAMA/ATA Code	Reference Designator
MS3476L12-8S	21-32-00	P271
MS3476L12-8S	21-32-00	P272
MS3476L12-8S	21-32-00	P584
MS3476L12-8S	21-61-02	P324
MS3476L12-8S	76-21-02	P288
MS3476L12-8SX	21-61-02	P317
MS3476L14-12S	24-56-00	P220
MS3476L14-12S	30-10-01	P979
MS3476L14-12S	32-31-03	P108
MS3476L14-12S	32-43-02	P909
MS3476L14-12S	32-43-02	P909
MS3476L14-12SW	32-31-03	P109
MS3476L14-18S	21-61-02	P320
MS3476L14-18S	21-61-02	P323
MS3476L14-18S	21-61-02	P623
MS3476L14-18S	91-31-00	P390
MS3476L14-18S	91-32-00	P391
MS3476L14-18S	91-44-00	P892
MS3476L14-18SW	21-61-02	P322
MS3476L14-19S	21-21-00	P639
MS3476L14-19S	21-52-00	P639
MS3476L14-19S	26-12-00	P481
MS3476L14-19S	27-50-02	P464
MS3476L14-19S	28-22-01	P375
MS3476L14-19S	28-22-02	P376
MS3476L14-19SX	28-22-01	P377
MS3476L14-19SX	28-22-02	P378
MS3476L14-5S	30-10-03	P983
MS3476L14-5S	30-10-03	P984
MS3476L14-5S	30-10-04	P982
MS3476L14-5S	30-10-05	P981
MS3476L16-26S	33-19-00	P580
MS3476L16-26SW	21-21-00	P665
MS3476L16-26SW	21-61-01	P665
MS3476L16-26SW	27-50-01	P746
MS3476L16-26SW	27-50-01	P746
MS3476L16-26SY	21-21-00	P640
MS3476L16-26SY	21-61-01	P640
MS3476L16-8S	30-41-00	P792
MS3476L18-32S	21-21-00	P400
MS3476L18-32S	21-61-02	P622
MS3476L18-32S	33-17-06	P832
MS3476L18-32S	91-50-00	P800
MS3476L20-41S	24-33-00	P225
MS3476L20-41S	91-28-00	P223
MS3476L20-41S	91-29-00	P224
MS3476L20-41S	91-38-00	P801
MS3476L22-41S	24-54-04	P594
MS3476L22-41S	24-54-04	P594
MS3476L8-33S	27-50-02	P733
MS3476L8-33S	27-50-03	P751
MS3476L8-33S	27-50-04	P750
MS3476L8-33S	30-10-03	P988
MS3476L8-33S	30-10-03	P989
MS3476L8-33S	30-10-04	P992
MS3476L8-33S	30-10-04	P996
MS3476L8-33S	30-10-05	P993
MS3476L8-33S	30-10-05	P997

Beechcraft  
**STARSHIP 1**  
**WIRING DIAGRAM MANUAL**  
*PART NUMBER INDEX (CONTINUED)*

Part Number	GAMA/ATA Code	Reference Designator
MS3476L8-33S	32-51-00	P956
MS3476L8-33S	76-21-01	P961
MS3476L8-33S	76-21-02	P960
MS3476L8-33S	79-30-00	P710
MS3476L8-33S	79-30-00	P711
MS3476L8-33SW	26-21-01	E135J1
MS3476L8-33SW	26-21-01	E135J2
MS3476L8-33SW	26-21-01	P521
MS3476L8-33SW	26-21-02	E136J1
MS3476L8-33SW	26-21-02	E136J2
MS3476L8-33SW	26-21-02	P522
MS34766L10-6S	32-42-00	P721
MS3506-1	24-41-00	J300
MS3506-1	24-41-01	J300
MS90335-6	33-10-02	P395
MS90335-6	33-15-00	P449
MS90335-6	33-15-00	P450
MS90335-6	33-15-00	P451
MS90335-6	33-15-00	P452
MS90335-6	33-15-00	P453
MS90335-6	33-15-00	P516
MS90335-6	33-15-00	P518
MS90335-6	33-15-00	P519
MS90335-6	33-15-00	P775
MS90335-6	33-15-00	P929
MS90335-6	33-15-00	P951
MS90335-6	33-15-00	P967
M27473T20A16S	24-31-02	P222
M27500-16TE2T14	24-31-01	W717
M27500-16TE2T14	24-31-01	W717
M27500-16TE2T14	30-41-00	W610
M27500-16TE2T14	30-41-00	W611
M27500-16TE2T14	30-41-00	W612
M27500-16TE2T14	30-41-00	W613
M27500-16TE2T14	30-41-00	W614
M27500-16TE2T14	30-41-00	W615
M27500-16TG2T14	30-10-01	W764
M27500-16TG2T14	30-10-02	W762
M27500-16TG2T14	30-10-02	W763
M27500-16TG2T14	30-10-02	W765
M27500-16TG2T14	30-81-00	W758
M27500-16TG2T14	30-81-00	W759
M27500-16TG2T14	30-81-00	W760
M27500-16TG2T14	30-81-00	W761
M27500-16TG2T14	30-81-00	W762
M27500-16TG2T14	30-81-00	W763
M27500-16TG2T14	30-81-00	W764
M27500-2TE2U15	33-17-07	W743
M27500-20TE2T14	79-31-00	W375
M27500-20TE2T14	79-31-00	W377
M27500-20TE2T14	79-32-00	W593
M27500-20TE2T14	79-32-00	W594
M27500-20TE2T15	73-31-00	W222
M27500-20TE2U15	24-01-00	W418
M27500-20TE2U15	24-01-00	W419
M27500-20TE2U15	24-01-00	W420
M27500-20TE2U15	24-01-00	W421
M27500-20TE2U15	24-01-00	W422

Part Number	GAMA/ATA Code	Reference Designator
M27500-20TE2U15	24-01-00	W423
M27500-20TE2U15	24-31-01	W421
M27500-20TE2U15	24-31-01	W483
M27500-20TE2U15	24-31-01	W421
M27500-20TE2U15	24-31-01	W483
M27500-20TE2U15	24-31-02	W420
M27500-20TE2U15	24-31-02	W484
M27500-20TE2U15	24-33-00	W423
M27500-20TE2U15	24-33-00	W424
M27500-20TE2U15	24-33-00	W425
M27500-20TE2U15	30-10-01	W775
M27500-20TE2U15	30-10-01	W776
M27500-20TE2U15	30-10-01	W777
M27500-20TE2U15	30-10-01	W778
M27500-20TE2U15	30-10-01	W779
M27500-20TE2U15	30-10-01	W780
M27500-20TE2U15	30-10-04	W923
M27500-20TE2U15	30-10-04	W924
M27500-20TE2U15	30-10-05	W781
M27500-20TE2U15	30-10-05	W914
M27500-20TE2U15	33-17-03	W620
M27500-20TE2U15	33-17-03	W621
M27500-20TE2U15	33-17-03	W622
M27500-20TE2U15	33-17-03	W623
M27500-20TE2U15	33-17-03	W624
M27500-20TE2U15	33-17-03	W625
M27500-20TE2U15	33-17-03	W626
M27500-20TE2U15	33-17-03	W627
M27500-20TE2U15	33-17-03	W628
M27500-20TE2U15	33-17-03	W629
M27500-20TE2U15	33-17-03	W630
M27500-20TE2U15	33-17-03	W631
M27500-20TE2U15	33-17-04	W634
M27500-20TE2U15	33-17-04	W635
M27500-20TE2U15	33-17-04	W636
M27500-20TE2U15	33-17-04	W637
M27500-20TE2U15	33-17-04	W638
M27500-20TE2U15	33-17-04	W639
M27500-20TE2U15	33-17-04	W640
M27500-20TE2U15	33-17-04	W641
M27500-20TE2U15	33-17-04	W642
M27500-20TE2U15	33-17-04	W643
M27500-20TE2U15	33-17-04	W655
M27500-20TE2U15	33-17-04	W656
M27500-20TE2U15	33-17-04	W657
M27500-20TE2U15	33-17-06	W644
M27500-20TE2U15	33-17-06	W645
M27500-20TE2U15	33-17-06	W646
M27500-20TE2U15	33-17-06	W647
M27500-20TE2U15	33-17-06	W648
M27500-20TE2U15	33-17-06	W649
M27500-20TE2U15	33-17-06	W650
M27500-20TE2U15	33-17-06	W651
M27500-20TE2U15	33-17-06	W652
M27500-20TE2U15	33-17-06	W653
M27500-20TE2U15	33-17-06	W654
M27500-20TE2U15	33-43-00	W630
M27500-20TE2U15	33-43-00	W631

**Beechcraft**  
**STARSHIP 1**  
**WIRING DIAGRAM MANUAL**  
*PART NUMBER INDEX (CONTINUED)*

Part Number	GAMA/ATA Code	Reference Designator
M27500-20TE2U15	33-43-00	W678
M27500-20TE2U15	33-43-00	W679
M27500-20TE3T14	79-30-00	W595
M27500-20TE3T14	79-30-00	W596
M27500-20TE3T14	79-33-00	W367
M27500-20TE3T14	79-33-00	W369
M27500-20TE3T15	73-31-00	W225
M27500-20TE3T15	73-31-00	W228
M27500-20TE3T15	73-31-00	W231
M27500-20TE4T14	79-34-00	W371
M27500-20TE4T14	79-34-00	W373
M27500-22TE2T14	21-21-00	W356
M27500-22TE2T14	21-21-00	W357
M27500-22TE2T14	21-21-00	W358
M27500-22TE2T14	21-21-00	W618
M27500-22TE2T14	21-52-00	W395
M27500-22TE2T14	21-52-00	W396
M27500-22TE2T14	21-52-00	W397
M27500-22TE2T14	21-52-00	W398
M27500-22TE2T14	21-52-00	W399
M27500-22TE2T14	21-52-00	W400
M27500-22TE2T14	21-52-00	W401
M27500-22TE2T14	21-52-00	W402
M27500-22TE2T14	21-52-00	W403
M27500-22TE2T14	21-52-00	W619
M27500-22TE2T14	21-52-00	W632
M27500-22TE2T14	21-52-00	W633
M27500-22TE2T14	21-61-01	W398
M27500-22TE2T14	21-61-01	W400
M27500-22TE2T14	21-61-01	W526
M27500-22TE2T14	21-61-01	W527
M27500-22TE2T14	21-61-02	W431
M27500-22TE2T14	21-61-02	W435
M27500-22TE2T14	21-61-02	W437
M27500-22TE2T14	21-61-02	W438
M27500-22TE2T14	21-61-02	W439
M27500-22TE2T14	21-61-02	W499
M27500-22TE2T14	21-61-02	W562
M27500-22TE2T14	27-31-02	W912
M27500-22TE2T14	27-31-03	W912
M27500-22TE2T14	28-11-00	W528
M27500-22TE2T14	28-11-00	W531
M27500-22TE2T14	28-22-01	W205
M27500-22TE2T14	28-22-01	W206
M27500-22TE2T14	28-22-01	W585
M27500-22TE2T14	28-22-02	W211
M27500-22TE2T14	28-22-02	W212
M27500-22TE2T14	28-22-02	W586
M27500-22TE2T14	30-81-00	W765
M27500-22TE2T14	31-51-04	W134
M27500-22TE2T14	31-51-04	W136
M27500-22TE2T14	31-51-04	W230
M27500-22TE2T14	31-51-04	W585
M27500-22TE2T14	31-51-05	W138
M27500-22TE2T14	31-51-05	W140
M27500-22TE2T14	31-51-05	W586
M27500-22TE2T14	31-51-06	W134
M27500-22TE2T14	31-51-06	W135

Part Number	GAMA/ATA Code	Reference Designator
M27500-22TE2T14	31-51-06	W136
M27500-22TE2T14	31-51-06	W137
M27500-22TE2T14	31-51-08	W138
M27500-22TE2T14	31-51-08	W139
M27500-22TE2T14	31-51-08	W140
M27500-22TE2T14	31-51-08	W141
M27500-22TE2T14	32-43-01	W904
M27500-22TE2T14	32-43-01	W905
M27500-22TE2T14	32-43-01	W906
M27500-22TE2T14	32-43-01	W907
M27500-22TE2T14	32-43-01	W908
M27500-22TE2T14	32-43-01	W909
M27500-22TE2T14	32-43-01	W910
M27500-22TE2T14	32-43-01	W911
M27500-22TE2T14	33-17-01	W278
M27500-22TE2T14	33-17-01	W279
M27500-22TE2T14	33-17-01	W280
M27500-22TE2T14	33-17-09	W1006
M27500-22TE2T14	33-17-09	W1007
M27500-22TE2T14	33-17-09	W1008
M27500-22TE2T14	33-17-10	W1009
M27500-22TE2T14	33-17-10	W1010
M27500-22TE2T14	33-17-10	W1011
M27500-22TE2T14	33-17-15	W278
M27500-22TE2T14	33-17-15	W279
M27500-22TE2T14	33-17-15	W280
M27500-22TE2T14	33-19-00	W912
M27500-22TE2T14	33-23-00	W337
M27500-22TE2T14	33-23-00	W338
M27500-22TE2T14	33-23-00	W339
M27500-22TE2T14	33-23-00	W341
M27500-22TE2T14	33-23-00	W342
M27500-22TE2T14	33-23-00	W343
M27500-22TE2T14	61-22-01	W589
M27500-22TE2T14	61-22-02	W587
M27500-22TE2T14	61-23-00	W599
M27500-22TE2T14	61-23-00	W600
M27500-22TE2T14	61-23-00	W601
M27500-22TE2T14	61-23-00	W602
M27500-22TE2T14	61-24-00	W213
M27500-22TE2T14	61-24-00	W214
M27500-22TE2T14	61-24-00	W215
M27500-22TE2T14	61-24-00	W216
M27500-22TE2T14	61-24-00	W217
M27500-22TE2T14	61-24-00	W218
M27500-22TE2T14	61-24-00	W219
M27500-22TE2T14	61-24-00	W242
M27500-22TE2T14	61-24-00	W213
M27500-22TE2T14	61-24-00	W214
M27500-22TE2T14	61-24-00	W215
M27500-22TE2T14	61-24-00	W216
M27500-22TE2T14	61-24-00	W217
M27500-22TE2T14	61-24-00	W218
M27500-22TE2T14	61-24-00	W219
M27500-22TE2T14	61-24-00	W242
M27500-22TE2T14	61-24-00	W797
M27500-22TE2T14	61-24-00	W798
M27500-22TE2T14	61-24-00	W799

  
**STARSHIP 1**  
**WIRING DIAGRAM MANUAL**  
**PART NUMBER INDEX (CONTINUED)**

Part Number	GAMA/ATA Code	Reference Designator
M27500-22TE2T14	61-24-00	W800
M27500-22TE2T14	73-31-00	W230
M27500-22TE2T14	74-11-01	W591
M27500-22TE2T14	74-11-02	W592
M27500-22TE2T14	77-12-00	W379
M27500-22TE2T14	77-12-00	W381
M27500-22TE2T15	27-31-01	W913
M27500-22TE2T15	27-31-03	W913
M27500-22TE2T15	31-51-05	W221
M27500-22TE2T15	33-19-00	W913
M27500-22TE2T15	73-31-00	W221
M27500-22TE2U00	33-19-00	W314
M27500-22TE2U14	33-15-00	W610
M27500-22TE2U15	26-21-01	W429
M27500-22TE2U15	26-21-01	W430
M27500-22TE2U15	26-21-01	W695
M27500-22TE2U15	26-21-02	W427
M27500-22TE2U15	26-21-02	W428
M27500-22TE2U15	26-21-02	W696
M27500-22TE2U15	31-51-04	W376
M27500-22TE2U15	31-51-04	W380
M27500-22TE2U15	31-51-04	W384
M27500-22TE2U15	31-51-05	W378
M27500-22TE2U15	31-51-05	W382
M27500-22TE2U15	31-51-05	W386
M27500-22TE2U15	33-10-02	W260
M27500-22TE2U15	33-10-02	W547
M27500-22TE2U15	33-12-00	W254
M27500-22TE2U15	33-12-00	W255
M27500-22TE2U15	33-12-00	W256
M27500-22TE2U15	33-12-00	W257
M27500-22TE2U15	33-15-00	W261
M27500-22TE2U15	33-15-00	W262
M27500-22TE2U15	33-15-00	W263
M27500-22TE2U15	33-15-00	W264
M27500-22TE2U15	33-15-00	W265
M27500-22TE2U15	33-15-00	W266
M27500-22TE2U15	33-15-00	W267
M27500-22TE2U15	33-15-00	W268
M27500-22TE2U15	33-15-00	W269
M27500-22TE2U15	33-15-00	W270
M27500-22TE2U15	33-15-00	W605
M27500-22TE2U15	33-15-00	W606
M27500-22TE2U15	33-15-00	W607
M27500-22TE2U15	33-15-00	W608
M27500-22TE2U15	33-15-00	W609
M27500-22TE2U15	33-15-00	W713
M27500-22TE2U15	33-15-00	W720
M27500-22TE2U15	33-15-00	W745
M27500-22TE2U15	33-15-00	W746
M27500-22TE2U15	33-15-00	W766
M27500-22TE2U15	33-15-00	W767
M27500-22TE2U15	33-17-02	W274
M27500-22TE2U15	33-17-02	W275
M27500-22TE2U15	33-17-02	W704
M27500-22TE2U15	33-17-02	W706
M27500-22TE2U15	33-17-02	W708
M27500-22TE2U15	33-17-02	W783

Part Number	GAMA/ATA Code	Reference Designator
M27500-22TE2U15	33-17-02	W784
M27500-22TE2U15	33-17-02	W785
M27500-22TE2U15	33-17-07	W642
M27500-22TE2U15	33-17-07	W674
M27500-22TE2U15	33-17-07	W675
M27500-22TE2U15	33-17-07	W740
M27500-22TE2U15	33-17-07	W741
M27500-22TE2U15	33-17-07	W742
M27500-22TE2U15	33-17-13	W274
M27500-22TE2U15	33-17-13	W275
M27500-22TE2U15	33-17-13	W704
M27500-22TE2U15	33-17-13	W706
M27500-22TE2U15	33-17-13	W708
M27500-22TE2U15	33-17-13	W783
M27500-22TE2U15	33-17-13	W784
M27500-22TE2U15	33-17-13	W785
M27500-22TE2U15	33-22-01	W658
M27500-22TE2U15	33-22-01	W659
M27500-22TE2U15	33-22-01	W660
M27500-22TE2U15	33-22-01	W661
M27500-22TE2U15	33-22-01	W662
M27500-22TE2U15	33-22-01	W663
M27500-22TE2U15	33-22-01	W664
M27500-22TE2U15	33-22-01	W665
M27500-22TE2U15	33-22-01	W666
M27500-22TE2U15	33-22-01	W667
M27500-22TE2U15	33-22-01	W668
M27500-22TE2U15	33-22-01	W669
M27500-22TE2U15	33-22-01	W670
M27500-22TE2U15	33-22-01	W671
M27500-22TE2U15	33-22-01	W672
M27500-22TE2U15	33-22-01	W673
M27500-22TE2U15	33-22-01	W676
M27500-22TE2U15	33-22-01	W1012
M27500-22TE2U15	33-22-01	W1013
M27500-22TE2U15	33-22-01	W1014
M27500-22TE2U15	33-22-01	W1015
M27500-22TE2U15	33-22-01	W658
M27500-22TE2U15	33-22-01	W659
M27500-22TE2U15	33-22-01	W660
M27500-22TE2U15	33-22-01	W661
M27500-22TE2U15	33-22-01	W662
M27500-22TE2U15	33-22-01	W663
M27500-22TE2U15	33-22-01	W664
M27500-22TE2U15	33-22-01	W665
M27500-22TE2U15	33-22-01	W670
M27500-22TE2U15	33-22-01	W671
M27500-22TE2U15	33-22-01	W672
M27500-22TE2U15	33-22-01	W673
M27500-22TE2U15	77-12-00	W380
M27500-22TE2U15	77-12-00	W382
M27500-22TE2U15	77-21-00	W234
M27500-22TE2U15	77-21-00	W237
M27500-22TE2U15	79-31-00	W376
M27500-22TE2U15	79-31-00	W378
M27500-22TE2U15	79-33-00	W368
M27500-22TE2U15	79-33-00	W370
M27500-22TE3R14	21-21-00	W355

**Beechcraft**  
**STARSHIP 1**  
**WIRING DIAGRAM MANUAL**  
**PART NUMBER INDEX (CONTINUED)**

Part Number	GAMA/ATA Code	Reference Designator
M27500-22TE3T14	21-21-00	W353
M27500-22TE3T14	21-21-00	W354
M27500-22TE3T14	21-21-00	W617
M27500-22TE3T14	21-61-01	W508
M27500-22TE3T14	21-61-01	W509
M27500-22TE3T14	21-61-01	W579
M27500-22TE3T14	21-61-01	W580
M27500-22TE3T14	21-61-02	W433
M27500-22TE3T14	21-61-02	W434
M27500-22TE3T14	21-61-02	W436
M27500-22TE3T14	21-61-02	W534
M27500-22TE3T14	21-61-02	W561
M27500-22TE3T14	21-61-02	W563
M27500-22TE3T14	21-61-02	W565
M27500-22TE3T14	21-61-02	W566
M27500-22TE3T14	27-31-02	W734
M27500-22TE3T14	27-31-02	W735
M27500-22TE3T14	27-31-02	W736
M27500-22TE3T14	27-31-02	W737
M27500-22TE3T14	27-31-02	W738
M27500-22TE3T14	27-31-02	W739
M27500-22TE3T14	27-31-03	W729
M27500-22TE3T14	27-50-02	W532
M27500-22TE3T14	27-50-02	W533
M27500-22TE3T14	33-17-01	W283
M27500-22TE3T14	33-17-01	W567
M27500-22TE3T14	33-17-01	W629
M27500-22TE3T14	33-17-15	W283
M27500-22TE3T14	33-17-15	W567
M27500-22TE3T14	33-17-15	W629
M27500-22TE3T14	61-22-01	W590
M27500-22TE3T14	61-22-02	W588
M27500-22TE3T15	27-31-01	W728
M27500-22TE3T15	27-31-03	W728
M27500-22TE3T15	31-51-04	W227
M27500-22TE3T15	31-51-05	W224
M27500-22TE3T15	73-31-00	W224
M27500-22TE3T15	73-31-00	W227
M27500-22TE3U15	31-51-04	W372
M27500-22TE3U15	31-51-05	W374
M27500-22TE3U15	79-34-00	W372
M27500-22TE3U15	79-34-00	W374
M27500-22TE4T14	21-61-01	W510
M27500-22TE4T14	21-61-01	W511
M27500-22TE4T14	28-22-01	W201
M27500-22TE4T14	28-22-01	W202
M27500-22TE4T14	28-22-01	W203
M27500-22TE4T14	28-22-01	W204
M27500-22TE4T14	28-22-02	W207
M27500-22TE4T14	28-22-02	W208
M27500-22TE4T14	28-22-02	W209
M27500-22TE4T14	28-22-02	W210
M27500-22TE4T14	31-51-04	W239
M27500-22TE4T14	31-51-05	W240
M27500-22TE4T14	77-11-00	W238
M27500-22TE4T14	77-11-00	W239
M27500-22TE4T14	77-11-00	W240
M27500-22TE4T14	77-11-00	W241

Part Number	GAMA/ATA Code	Reference Designator
M27500/16TG2T14	24-31-02	W716
M39016/6-209L	21-31-01	A211K4
M39016/6-209L	27-31-01	A211K1
M39016/6-209L	27-31-03	A211K2
M39016/6-209L	27-31-03	A211K3
M39016/6-209L	31-21-00	A134K3
M39016/6-209L	31-21-00	A134K4
M39016/6-209L	32-43-01	A182K3
M39016/6-209L	33-17-02	A182K2
M39016/6-209L	33-17-02	A211K5
M39016/6-209L	33-17-13	A182K2
M39016/6-209L	33-17-13	A211K5
M39016/6-209L	33-44-00	A134K5
M39016/6-209L	33-44-00	A182K4
M39016/6-209L	61-22-01	A134K1
M39016/6-209L	61-22-01	A134K2
M39016/6-209L	61-22-03	A182K1
M39016/6-209L	61-22-03	A182K5
M5846-01E20	31-51-04	W628
M5846-01E20	31-51-05	W627
M6106/27-023	21-51-00	A129K32
M6106/27-023	21-51-00	A129K32
M6106/27-023	21-61-01	A129K15
M6106/27-023	24-36-00	A129K1
M6106/27-023	24-36-00	A129K2
M6106/27-023	26-21-01	A129K16
M6106/27-023	26-21-02	A129K18
M6106/27-023	32-31-01	A129K26
M6106/27-023	32-43-01	A129K11
M6106/27-023	32-62-00	A129K23
M6106/27-023	33-17-05	A129K25
M6106/27-023	33-43-00	A129K31
M6106/27-023	61-22-01	A129K10
M6106/27-023	61-22-01	A129K9
M6106/27-023	61-22-02	A129K7
M6106/27-023	61-22-02	A129K8
M6106/27-023	61-23-00	A129K19
M6106/27-023	61-23-00	A129K20
M6106/27-023	61-23-00	A129K21
M6106/27-023	74-11-01	A129K3
M6106/27-023	74-11-01	A129K4
M6106/27-023	74-11-02	A129K12
M6106/27-023	74-11-02	A129K13
M6106/29-023	24-31-01	K108
M6106/29-023	24-31-01	K108
M6106/29-023	24-31-02	K109
M7078/34-20-2	61-24-00	W801
M7078/34-20-2	61-24-00	W802
M7078/34-20-2	61-24-00	W803
M7078/34-20-2	61-24-00	W804
M7078/34-20-2	61-42-00	W383
M7078/34-20-2	61-42-00	W385
M7078/34-22-2	61-24-00	W794
M7078/34-22-2	61-24-00	W796
M83723/75R16246	33-19-00	P487
M83723/75R2041N	31-51-06	P512
M83723/75R2041N	31-51-08	P587
M83723/86R803N	26-21-01	P893

Beechcraft  
**STARSHIP 1**  
**WIRING DIAGRAM MANUAL**  
*PART NUMBER INDEX (CONTINUED)*

Part Number	GAMA/ATA Code	Reference Designator
M83723/86R803N	26-21-02	P894
OW-5A-2G (12V)	21-51-00	E196
OW-5A-2G (24V)	21-51-00	E196
PSF100A-1.5	21-21-00	S253
PSF100A-1.5	21-21-00	S276
PT06A8-2S	27-31-02	P923
PT06E8-4S	32-43-01	P904
PT06E8-4S	32-43-01	P905
PT06E8-4S	32-43-01	P907
PT06E8-4S	32-43-01	P908
P1-32112	79-30-00	A150S2
P1-32112	79-30-00	A151S2
RCR20G102JS	30-82-00	R170
RCR20G472JS	30-81-00	A156R1
RCR20G472JS	30-81-00	A156R2
RCR42G202JS	27-50-05	A178R1
RCR42G202JS	27-50-05	A178R2
RCR42G202JS	27-50-05	A178R3
RCR42G202JS	27-50-05	A178R4
RE75G24R9	61-23-00	A129R1
RE75G24R9	61-23-00	A129R2
RE75G24R9	61-23-00	A129R3
RE75G24R9	61-23-00	A129R4
RE75G4R87	30-81-00	R165
RE75G4R87	30-81-00	R166
RME2P67S26S-5002	91-26-00	P357A
RME2P67S26S-5002	91-27-00	P357B
RME2P67S67S-5001	91-24-00	P289A
RME2P67S67S-5001	91-25-00	P289B
RME2R67P26P-5002	91-26-00	A129J2A
RME2R67P26P-5002	91-27-00	A129J2B
RME2R67P67P-5001	91-24-00	A129J1A
RME2R67P67P-5001	91-25-00	A129J1B
RNC55H4751FS	33-10-01	A110R1
RNC55H4751FS	33-10-01	A110R3
RNC55H4751FS	33-10-01	A110R5
RNC55H4751FS	33-10-01	A110R7
SLZ-7702-B-04	27-31-02	E230
SLZ7306	27-31-02	MT124
SLZ7306	27-31-03	MT123
SLZ7702-B-04	27-31-01	E231
SM150D5	30-42-00	K101
SM150D5	30-42-00	K110
SM200D21	32-31-01	K100
STD986-2	33-13-00	XDS102
STD986-2	33-13-00	XDS103
STL-20	27-31-01	E229
TR-992	33-17-04	PS134
TR-992	33-17-04	PS135
TR-992	33-17-04	PS136
TR-992	33-17-04	PS149
TR992-12	33-17-09	PS501
TR992-12	33-17-09	PS502
TR992-12	33-17-09	PS503
TR992-12	33-17-10	PS506
TR992-12	33-17-10	PS507
TR992-12	33-17-10	PS508
V3-101-D8	61-23-00	S284

Part Number	GAMA/ATA Code	Reference Designator
V47ZA1	33-10-05	A168CR1
V47ZA1	33-10-05	A168CR10
V47ZA1	33-10-05	A168CR11
V47ZA1	33-10-05	A168CR12
V47ZA1	33-10-05	A168CR13
V47ZA1	33-10-05	A168CR14
V47ZA1	33-10-05	A168CR15
V47ZA1	33-10-05	A168CR2
V47ZA1	33-10-05	A168CR3
V47ZA1	33-10-05	A168CR4
V47ZA1	33-10-05	A168CR5
V47ZA1	33-10-05	A168CR6
V47ZA1	33-10-05	A168CR7
V47ZA1	33-10-05	A168CR8
V47ZA1	33-10-05	A168CR9
W1290-28	33-42-00	A108DS1
W1290-28	33-42-00	A109DS1
00855-0001	30-31-00	P260
00855-0001	30-31-00	P261
01-0770347-00	33-43-00	PS117
01-0770347-00	33-43-00	PS118
0871CT1	30-81-00	E178
0871CT1	30-81-00	E234
0871CT1	30-82-00	E263
0956	21-51-00	R169
1.5KE51CA	21-51-00	CR174
1.5KE51CA	21-51-00	CR174
1.5KE51CA	61-23-00	CR126
1-350687-0	33-18-01	P1078
1-350687-0	33-18-01	P1091
1-350688-0	33-18-01	J1078
1-350688-0	33-18-01	J1091
1-350867-0	33-17-06	J888
1-350867-0	33-18-01	P1077
1-350868-0	33-17-06	P888
1-350868-0	33-18-01	J1077
1-480349-0	21-51-00	P624
1-480349-0	21-51-00	P624
1-480349-0	33-13-00	P498
1-480349-0	33-13-00	P499
1-480349-0	33-42-00	A170P1
1-480349-0	33-42-00	P588
1-480350-0	33-13-00	XDS102J1
1-480350-0	33-13-00	XDS103J1
1-480350-0	33-42-00	A170J1
1-480351-0	21-51-00	E196J1
1-480351-0	21-51-00	E196J1
1-480351-0	33-17-04	P593
1-480351-0	33-17-04	P659
1-480351-0	33-17-04	P948
1-480351-0	33-17-04	P949
1-480351-0	33-42-00	J586
1-480698-0	21-21-00	P703
1-480698-0	21-31-01	P890
1-480698-0	21-51-00	P589
1-480698-0	21-51-00	P626
1-480698-0	21-51-00	P627
1-480698-0	21-51-00	P658

**Beechcraft**  
**STARSHIP 1**  
**WIRING DIAGRAM MANUAL**  
*PART NUMBER INDEX (CONTINUED)*

Part Number	GAMA/ATA Code	Reference Designator
1-480698-0	21-51-00	P589
1-480698-0	21-51-00	P626
1-480698-0	21-51-00	P627
1-480698-0	21-51-00	P658
1-480698-0	25-21-00	P347
1-480698-0	30-42-00	P773
1-480698-0	30-43-00	P774
1-480698-0	31-51-04	J896
1-480698-0	31-51-04	J897
1-480698-0	31-51-05	J898
1-480698-0	31-51-05	J899
1-480698-0	32-61-00	P702
1-480698-0	33-12-00	P415
1-480698-0	33-12-00	P416
1-480698-0	33-12-00	P417
1-480698-0	33-14-00	P692
1-480698-0	33-14-00	P693
1-480698-0	33-15-00	J741
1-480698-0	33-15-00	J742
1-480698-0	33-15-00	J743
1-480698-0	33-15-00	J776
1-480698-0	33-15-00	J777
1-480698-0	33-15-00	J778
1-480698-0	33-15-00	J969
1-480698-0	33-15-00	P517
1-480698-0	33-17-02	P537
1-480698-0	33-17-02	P538
1-480698-0	33-17-02	P973
1-480698-0	33-17-02	P974
1-480698-0	33-17-02	P975
1-480698-0	33-17-02	P976
1-480698-0	33-17-02	P977
1-480698-0	33-17-02	P978
1-480698-0	33-17-07	P880
1-480698-0	33-17-13	P537
1-480698-0	33-17-13	P538
1-480698-0	33-17-13	P973
1-480698-0	33-17-13	P974
1-480698-0	33-17-13	P975
1-480698-0	33-17-13	P976
1-480698-0	33-17-13	P977
1-480698-0	33-17-13	P978
1-480698-0	33-21-00	P878
1-480698-0	33-21-00	P879
1-480698-0	33-21-00	P880
1-480698-0	33-21-00	P881
1-480698-0	33-21-00	P882
1-480698-0	33-21-00	P883
1-480698-0	33-21-00	P884
1-480698-0	33-21-00	P885
1-480698-0	33-21-00	P886
1-480698-0	33-21-00	P887
1-480698-0	34-10-00	P285
1-480698-0	34-10-00	P286
1-480698-0	35-10-00	P631
1-480698-0	35-10-00	P895
1-480698-0	38-20-00	P701
1-480698-0	38-20-00	P701

Part Number	GAMA/ATA Code	Reference Designator
1-480699-0	21-21-00	J703
1-480699-0	21-31-02	P526
1-480699-0	21-31-02	P527
1-480699-0	21-51-00	E194J1
1-480699-0	21-51-00	E195J1
1-480699-0	21-51-00	J627
1-480699-0	21-51-00	E194J1
1-480699-0	21-51-00	E195J1
1-480699-0	21-51-00	J627
1-480699-0	25-21-00	J347
1-480699-0	31-51-04	P896
1-480699-0	31-51-04	P897
1-480699-0	31-51-05	P898
1-480699-0	31-51-05	P899
1-480699-0	32-61-00	J702
1-480699-0	33-14-00	A172J1
1-480699-0	33-14-00	A173J1
1-480699-0	33-15-00	J517
1-480699-0	33-15-00	P741
1-480699-0	33-15-00	P742
1-480699-0	33-15-00	P743
1-480699-0	33-15-00	P776
1-480699-0	33-15-00	P777
1-480699-0	33-15-00	P778
1-480699-0	33-15-00	P952
1-480699-0	33-15-00	P969
1-480699-0	33-17-02	DS149J1
1-480699-0	33-17-02	DS150J1
1-480699-0	33-17-02	DS151J1
1-480699-0	33-17-02	DS152J1
1-480699-0	33-17-02	DS153J1
1-480699-0	33-17-02	DS154J1
1-480699-0	33-17-02	DS155J1
1-480699-0	33-17-02	DS156J1
1-480699-0	33-17-13	DS149J1
1-480699-0	33-17-13	DS150J1
1-480699-0	33-17-13	DS151J1
1-480699-0	33-17-13	DS152J1
1-480699-0	33-17-13	DS153J1
1-480699-0	33-17-13	DS154J1
1-480699-0	33-17-13	DS155J1
1-480699-0	33-17-13	DS156J1
1-480699-0	33-21-00	J878
1-480699-0	33-21-00	J879
1-480699-0	33-21-00	J880
1-480699-0	33-21-00	J881
1-480699-0	33-21-00	J882
1-480699-0	33-21-00	J883
1-480699-0	33-21-00	J884
1-480699-0	33-21-00	J885
1-480699-0	33-21-00	J886
1-480699-0	33-21-00	J887
1-480699-0	35-10-00	J631
1-480699-0	35-10-00	J895
1-480699-0	38-20-00	J701
1-480699-0	38-20-00	J701
1-480700-0	32-62-00	P609
1-480700-0	35-10-00	P505

Beechcraft  
**STARSHIP 1**  
**WIRING DIAGRAM MANUAL**  
*PART NUMBER INDEX (CONTINUED)*

Part Number	GAMA/ATA Code	Reference Designator
1-480700-0	35-10-00	P544
1-480700-0	35-10-00	P660
1-480701-0	32-62-00	S245J1
1-480702-0	33-17-09	P1027
1-480702-0	33-17-10	P1034
1-480702-0	33-17-10	P1037
1-480702-0	33-17-10	P1040
1-480702-1	21-31-01	P902
1-480703-0	21-31-01	A187J1
1-480703-0	21-31-01	E221J1
1-480703-0	21-31-01	P903
1-531580-8	33-10-03	J233
1-531580-8	33-10-03	J233
1-87270-2	33-17-09	P1020
1-87270-2	33-17-11	P1043
1-87270-2	33-17-11	P1047
1-87270-2	33-17-11	P1051
1-87270-2	33-17-11	P1055
1-87270-2	33-17-12	P1059
1-87270-2	33-17-12	P1063
1-87270-2	33-17-12	P1067
1-87270-2	33-17-12	P1071
1N4007	21-21-00	CR251
1N4007	21-31-01	CR312
1N4007	21-32-00	A175CR1
1N4007	21-32-00	A175CR2
1N4007	21-32-00	A175CR3
1N4007	21-32-00	A175CR4
1N4007	21-32-00	A175CR5
1N4007	21-32-00	A175CR6
1N4007	21-32-00	A175CR7
1N4007	21-32-00	CR110
1N4007	21-32-00	CR111
1N4007	21-32-00	A175CR1
1N4007	21-32-00	A175CR2
1N4007	21-32-00	A175CR3
1N4007	21-32-00	A175CR4
1N4007	21-32-00	A175CR5
1N4007	21-32-00	A175CR6
1N4007	21-32-00	A175CR7
1N4007	21-32-00	CR110
1N4007	21-32-00	CR111
1N4007	21-51-00	CR179
1N4007	21-51-00	CR180
1N4007	21-51-00	CR182
1N4007	21-51-00	CR511
1N4007	21-51-00	CR179
1N4007	21-51-00	CR180
1N4007	21-51-00	CR182
1N4007	21-51-00	CR511
1N4007	24-01-00	CR266
1N4007	24-01-00	CR267
1N4007	24-34-01	CR149
1N4007	24-34-01	CR150
1N4007	24-41-00	CR505
1N4007	24-41-00	CR514
1N4007	24-41-00	CR515
1N4007	24-41-01	CR505

Part Number	GAMA/ATA Code	Reference Designator
1N4007	24-54-04	A164CR6
1N4007	24-54-04	A164CR6
1N4007	24-56-00	A128CR2
1N4007	24-56-00	A128CR3
1N4007	24-56-00	CR290
1N4007	24-56-00	CR291
1N4007	27-31-01	CR501
1N4007	27-31-02	CR500
1N4007	27-31-03	CR452
1N4007	27-31-03	CR453
1N4007	27-31-03	CR457
1N4007	27-31-03	CR458
1N4007	27-50-01	CR421
1N4007	27-50-01	CR422
1N4007	27-50-01	CR421
1N4007	27-50-01	CR422
1N4007	27-50-01	CR532
1N4007	27-50-02	CR401
1N4007	27-50-03	CR424
1N4007	27-50-04	CR423
1N4007	28-21-01	CR115
1N4007	28-21-02	A129CR10
1N4007	28-21-02	A129CR7
1N4007	28-21-02	A129CR8
1N4007	28-21-02	A129CR9
1N4007	28-21-02	CR257
1N4007	30-10-02	CR542
1N4007	30-10-03	CR509
1N4007	30-10-03	CR510
1N4007	30-10-04	CR508
1N4007	30-10-05	CR507
1N4007	30-21-01	CR133
1N4007	30-21-01	CR134
1N4007	30-21-01	CR152
1N4007	30-21-01	CR153
1N4007	30-21-02	CR131
1N4007	30-21-02	CR132
1N4007	30-21-02	CR154
1N4007	30-21-02	CR155
1N4007	30-31-00	CR242
1N4007	30-31-00	CR243
1N4007	30-81-00	CR495
1N4007	30-81-00	CR496
1N4007	30-81-00	CR641
1N4007	30-81-00	CR642
1N4007	30-82-00	CR537
1N4007	30-82-00	CR538
1N4007	30-82-00	CR539
1N4007	30-82-00	CR540
1N4007	30-82-00	CR541
1N4007	31-51-01	CR432
1N4007	32-42-00	CR269
1N4007	32-42-00	CR270
1N4007	32-43-01	A182CR5
1N4007	32-43-01	A182CR6
1N4007	32-43-02	CR493
1N4007	32-43-02	A201CR4
1N4007	32-43-02	CR493



**Beechcraft**  
**STARSHIP 1**  
**WIRING DIAGRAM MANUAL**  
*PART NUMBER INDEX (CONTINUED)*

Part Number	GAMA/ATA Code	Reference Designator
1N4007	32-51-00	CR122
1N4007	32-51-00	CR123
1N4007	32-61-00	CR112
1N4007	32-61-00	CR113
1N4007	32-61-00	CR114
1N4007	32-61-00	CR255
1N4007	32-62-00	A129CR13
1N4007	32-62-00	A129CR14
1N4007	33-10-05	CR531
1N4007	33-10-06	CR441
1N4007	33-10-06	CR442
1N4007	33-10-06	CR443
1N4007	33-17-02	A182CR3
1N4007	33-17-02	A182CR4
1N4007	33-17-02	A211CR10
1N4007	33-17-02	A211CR11
1N4007	33-17-03	CR300
1N4007	33-17-03	CR301
1N4007	33-17-03	CR302
1N4007	33-17-03	CR303
1N4007	33-17-03	CR304
1N4007	33-17-03	CR305
1N4007	33-17-06	CR306
1N4007	33-17-06	CR307
1N4007	33-17-06	CR308
1N4007	33-17-06	CR309
1N4007	33-17-06	CR310
1N4007	33-17-06	CR311
1N4007	33-17-13	A182CR3
1N4007	33-17-13	A182CR4
1N4007	33-17-13	A211CR10
1N4007	33-17-13	A211CR11
1N4007	33-18-01	A233CR1
1N4007	33-18-01	A233CR2
1N4007	33-18-01	A236CR1
1N4007	33-18-01	A236CR2
1N4007	33-19-00	CR285
1N4007	33-19-00	CR286
1N4007	33-44-00	CR120
1N4007	33-44-00	CR244
1N4007	33-44-00	CR245
1N4007	33-44-00	CR292
1N4007	34-10-00	CR135
1N4007	34-10-00	CR136
1N4007	35-10-00	CR165
1N4007	61-22-01	CR119
1N4007	61-22-02	CR118
1N4007	61-22-03	A182CR1
1N4007	61-22-03	A182CR10
1N4007	61-22-03	A182CR11
1N4007	61-22-03	A182CR2
1N4007	61-23-00	A129CR11
1N4007	61-23-00	A129CR12
1N4007	61-23-00	CR125
1N4007	61-23-00	CR128
1N4007	61-23-00	CR129
1N4007	74-11-01	A129CR3
1N4007	74-11-01	A129CR4

Part Number	GAMA/ATA Code	Reference Designator
1N4007	74-11-02	A129CR1
1N4007	74-11-02	A129CR2
1N4007	80-11-00	CR198
1N4007	80-11-00	CR199
1N4731A	33-10-01	A110CR2
1N4731A	33-10-01	A110CR4
1N4731A	33-10-01	A110CR6
1SE1	30-21-01	S201
1SE1	30-21-01	S203
1SE1	30-21-02	S202
1SE1	30-21-02	S204
1SE1	33-17-01	S208
1SE1	33-17-01	S212
1SE1	33-17-01	S278
1SE1	33-17-15	S208
1SE1	33-17-15	S212
1SE1	33-17-15	S278
10-332001	32-61-00	S227
100-361045-1	21-21-00	CR293
100-361045-1	21-21-00	CR294
100-361045-1	24-41-00	CR127
100-361045-1	24-41-01	CR127
100-361045-1	24-56-00	A128CR1
100-361045-1	24-56-00	A128CR4
100-361045-1	27-50-02	CR167
100-361045-1	27-50-03	CR273
100-361045-1	27-50-04	CR274
100-361045-1	30-42-00	CR160
100-361045-1	30-42-00	CR161
100-361045-1	30-42-00	CR162
100-361045-1	30-43-00	CR158
100-361045-1	30-43-00	CR159
100-361045-1	32-31-01	CR101
100-361045-1	32-43-02	A201CR1
100-361045-1	32-43-02	A201CR1
100-361045-3	32-43-02	A201CR2
100-361045-3	32-43-02	A201CR3
100-361045-3	32-43-02	A201CR2
100-361045-3	32-43-02	A201CR3
100-364179-1	33-10-02	E100
100-380007-3	24-33-00	R110
100-380007-5	24-31-01	R112
100-380007-5	24-31-01	R112
100-380007-5	24-31-02	R111
100-389018-21	28-43-00	S175
100-389018-21	28-43-00	S176
100-389020-1	28-21-01	E125
100-389020-1	30-81-00	E247
101-360021-15	33-42-00	A170
101-380012-7	33-10-01	PS105
101-380018-3	21-31-01	E221
101-380018-7	21-31-01	E221
101-380019-3	21-51-00	E194
101-380019-3	21-51-00	E195
101-380019-3	21-51-00	E194
101-380019-3	21-51-00	E195
101-380021-1	21-31-01	E186
101-380021-1	21-31-01	E187

**Beechcraft**  
**STARSHIP 1**  
**WIRING DIAGRAM MANUAL**  
**PART NUMBER INDEX (CONTINUED)**

Part Number	GAMA/ATA Code	Reference Designator
101-380021-5	21-31-01	E186
101-380021-5	21-31-01	E187
101-381008-7	24-33-00	A120
101-384028	35-10-00	S229
101-384028-7	21-31-01	S401
101-384032-7	35-10-00	E182
101-384034-1	35-10-00	S230
101-384034-1	35-10-00	S232
101-384034-3	35-10-00	S231
101-384111-3	32-62-00	S245
101-389023	79-34-00	MT116
101-389023	79-34-00	MT120
109-361022-31	24-31-01	W575
109-361022-31	24-31-01	W575
109-361022-41	24-31-02	W577
109-361022-43	24-31-02	W578
109-361022-43	80-11-00	W578
109-361022-49	24-31-01	W576
109-361022-49	24-31-01	W576
109-361022-49	80-11-00	W576
109-361022-53	24-31-01	W603
109-361022-53	24-31-01	W603
109-361022-55	24-31-02	W604
109-381002-1	21-21-00	K129
109-381002-1	21-21-00	K130
109-381002-1	27-50-02	K106
109-381002-1	32-43-02	A201K1
109-381002-1	32-43-02	A201K1
109-389002-3	76-21-01	E121
109-389002-3	76-21-02	E120
11SM3-S	27-31-01	S282
11SM3-S	27-31-01	S283
11SM3-S	32-62-00	S217
11SM3-S	32-62-00	S218
11SM3-S	61-22-01	S213
11SM3-S	61-22-01	S215
11SM3-S	61-22-01	S285
11SM3-S	61-22-01	S286
11SM3-S	61-43-00	S224
11SM3-S	61-43-00	S225
112-TN91-3	24-41-00	S160
112-TN91-3	24-41-01	S160
112-TW59-10A	24-34-01	S156
112-TW91-3	21-21-00	S268
112TW59-10A	24-56-00	S159
112TW59-10N	30-43-00	S135
112TW59-3D	30-21-01	S137
112TW59-3D	30-21-02	S138
112TW59-3D	30-42-00	S136
112TW59-3D	34-10-00	S129
112TW59-3D	74-11-01	S145
112TW59-3D	74-11-02	S146
112TW59-5M	80-11-00	S150
112TW59-5M	80-11-00	S151
112TW91-3	24-33-00	S152
112TW91-3	24-56-00	S158
112TW91-3	27-31-02	S131
112TW91-3	32-42-00	S130

Part Number	GAMA/ATA Code	Reference Designator
112TW91-3	32-43-01	S287
112TW91-3	61-24-00	S148
112TW91-3	61-24-00	S148
112TW91-7	21-61-01	S168
112TW91-8	30-82-00	S327
114-388006-3	32-43-02	A201S2
114-388006-3	32-43-02	A201S2
114-388006-5	32-43-02	A201S1
114-388006-5	32-43-02	A201S1
114-388011-1	32-43-02	A201E1
114-388011-1	32-43-02	A201E1
114-388011-1	32-43-02	E249
114-388011-1	32-43-02	E250
114-389039-23	30-21-01	B101
114-389039-23	30-21-02	B102
114-555062-3	21-51-00	S247
114-555067-3	21-51-00	S238
114-555067-3	21-51-00	A234S1
1173T0508	21-52-00	S171
1202-022	33-22-01	E205
1202-022	33-22-01	E251
122-322067-9	31-51-02	A103
122-322094-3	33-10-01	A110
122-322169-1	24-01-00	A101
122-322171-1	28-21-02	S162
122-322172-1	21-32-00	A175
122-322172-1	21-32-00	A175
122-322173-1	21-61-01	R132
122-322173-9	21-21-00	R133
122-322174-1	21-61-01	S170
122-322184-1	24-54-03	W770
122-322184-1	24-54-03	W770
122-322184-1	24-54-03	W770
122-322184-113	24-54-01	W619
122-322184-113	24-54-01	W755
122-322184-115	24-54-02	W464
122-322184-115	24-54-02	W465
122-322184-119	24-54-02	W467
122-322184-121	24-54-02	W478
122-322184-123	24-54-02	W470
122-322184-125	24-54-02	W476
122-322184-127	24-54-01	W753
122-322184-131	24-54-02	W481
122-322184-139	24-54-03	W792
122-322184-27	24-54-02	W475
122-322184-29	24-54-03	W626
122-322184-29	24-54-03	W626
122-322184-29	24-54-03	W626
122-322184-31	24-54-01	W462
122-322184-31	24-54-02	W617
122-322184-31	24-54-02	W754
122-322184-33	24-54-01	W615
122-322184-33	24-54-01	W752
122-322184-33	24-54-02	W468
122-322184-43	24-54-01	W458
122-322184-43	24-54-02	W618
122-322184-73	24-54-01	W621
122-322187-129	24-54-01	W460

**Beechcraft**  
**STARSHIP 1**  
**WIRING DIAGRAM MANUAL**  
*PART NUMBER INDEX (CONTINUED)*

Part Number	GAMA/ATA Code	Reference Designator
122-322187-135	24-54-01	W459
122-322207-9	91-23-00	A156
122-360023-3	30-81-00	CR512
122-360023-3	30-81-00	CR513
122-361003-51	24-35-00	BS102
122-361013-37	24-33-00	A119
122-361013-41	24-31-01	A122
122-361013-41	24-31-01	A122
122-361013-55	24-54-04	A164
122-361013-55	24-54-04	A164
122-361013-77	24-31-02	A121
122-361014-21	24-31-01	A122W1
122-361014-21	24-31-01	A122W1
122-361014-21	24-31-02	A121W1
122-361014-21	24-54-04	A164W3
122-361014-21	24-54-04	A164W3
122-361014-35	24-54-04	A164W4
122-361014-35	24-54-04	A164W4
122-361014-43	24-33-00	W122
122-361014-45	24-31-01	W119
122-361014-45	24-31-01	W119
122-361014-53	24-51-01	W344
122-361014-53	24-51-01	W346
122-361014-53	24-51-01	W344
122-361014-53	24-51-01	W346
122-361014-53	24-51-01	W344
122-361014-53	24-51-01	W346
122-361014-53	24-51-02	W347
122-361014-53	24-51-02	W349
122-361014-53	24-51-02	W347
122-361014-53	24-51-02	W349
122-361014-55	24-35-00	W111
122-361014-57	24-35-00	W110
122-361014-65	24-33-00	A119W1
122-361014-73	24-54-04	A164W2
122-361014-73	24-54-04	A164W2
122-361014-75	24-54-04	A164W1
122-361014-75	24-54-04	A164W1
122-361014-81	24-31-01	W116
122-361014-81	24-31-01	W116
122-361014-81	24-51-01	W116
122-361014-81	24-51-01	W116
122-361014-81	24-51-01	W116
122-361014-83	24-51-02	W113
122-361014-83	24-51-02	W113
122-361014-85	24-51-01	W117
122-361014-85	24-51-01	W117
122-361014-85	24-51-01	W117
122-361014-89	24-31-02	W114
122-361014-89	24-31-02	W120
122-361014-89	24-51-02	W114
122-361014-89	24-51-02	W114
122-361015-1	24-33-00	P308
122-361019-11	24-35-00	W350
122-361019-15	24-51-02	A167
122-361019-15	24-51-02	A167
122-364028-11	32-31-01	A142
122-364028-21	32-31-01	A161

Part Number	GAMA/ATA Code	Reference Designator
122-364028-21	32-31-02	A161
122-364028-21	32-61-00	A161
122-364028-27	32-31-01	A142
122-364030-5	24-41-00	A127
122-364030-5	24-41-01	A127
122-364030-5	30-42-00	A127
122-364038-5	91-37-00	A130
122-364054-13	21-51-00	A133
122-364054-13	21-51-00	A133
122-364060-9	32-42-00	A176
122-364060-9	32-43-01	A176
122-364060-9	61-23-00	A176
122-364064-13	24-56-00	A128
122-364131-19	21-51-00	A129
122-364131-19	21-51-00	A129
122-364131-19	91-26-00	A129
122-364139-5	31-51-02	A137
122-364148-3	33-10-05	A168
122-364149-5	33-10-05	A168A1
122-364156-1	91-39-00	A134
122-364156-1	91-40-00	A182
122-364156-1	91-42-00	A211
122-364165-25	27-50-03	A178
122-364165-25	27-50-04	A178
122-364165-25	27-50-05	A178
122-364166-9	27-50-01	A144
122-364166-9	27-50-01	A144
122-364168-17	27-50-03	A181
122-364168-17	27-50-04	A180
122-364173-17	24-34-01	A126
122-364173-17	24-34-02	A126
122-364176-1	33-10-01	A163
122-364180-1	31-51-01	A135
122-364182-7	24-33-00	A125
122-364190-1	33-12-00	PS103
122-364190-1	33-17-01	PS111
122-364190-1	33-17-15	PS111
122-364190-1	33-19-00	PS116
122-364195-1	27-31-02	A219
122-364203-23	30-10-01	A222
122-364204-1	27-31-02	A208
122-364208-1	30-10-01	A215
122-364208-1	30-10-02	A215
122-364218	21-51-00	A234
122-380011-7	27-50-02	E142
122-380014-9	32-31-01	A143
122-380018-3	21-51-00	S239
122-380018-3	21-51-00	S239
122-380020-11	21-51-00	B108
122-380020-13	21-51-00	B108
122-380020-13	21-51-00	B108
122-380020-7	21-51-00	E217
122-380020-7	21-51-00	E217
122-380024-5	21-21-00	B112
122-380034-3	32-51-00	B107
122-380035-5	21-21-00	B109
122-380035-5	21-21-00	B110
122-380036-11	21-21-00	E137

Beechcraft  
**STARSHIP 1**  
**WIRING DIAGRAM MANUAL**  
*PART NUMBER INDEX (CONTINUED)*

Part Number	GAMA/ATA Code	Reference Designator
122-380036-11	21-21-00	E138
122-380036-13	21-21-00	E215
122-380036-7	21-21-00	E215
122-380036-7	21-21-00	E216
122-380037-13	31-51-04	E151
122-380037-13	31-51-05	E152
122-380046-1	34-10-00	E122
122-380046-1	34-10-00	E123
122-380059-7	28-22-01	E133
122-380059-7	28-22-02	E134
122-380060-1	28-22-01	MT111
122-380060-1	28-22-02	MT108
122-380060-1	73-31-00	MT113
122-380060-1	73-31-00	MT118
122-380060-3	28-22-01	MT109
122-380060-3	28-22-02	MT106
122-380060-5	28-22-01	MT107
122-380060-5	28-22-02	MT104
122-380060-7	28-22-01	MT105
122-380060-7	28-22-02	MT110
122-380062-1	24-54-01	CR212
122-380062-1	24-54-01	CR213
122-380062-1	24-54-01	CR214
122-380062-1	24-54-01	CR215
122-380062-1	24-54-01	CR216
122-380062-1	24-54-02	CR217
122-380062-1	24-54-02	CR218
122-380062-1	24-54-02	CR219
122-380062-1	24-54-02	CR220
122-380062-1	24-54-03	CR189
122-380062-1	24-54-03	CR190
122-380062-1	24-54-03	CR191
122-380062-1	24-54-03	CR192
122-380062-1	24-54-03	CR193
122-380062-1	24-54-03	CR194
122-380062-1	24-54-03	CR195
122-380062-1	24-54-03	CR284
122-380062-1	24-54-03	CR189
122-380062-1	24-54-03	CR190
122-380062-1	24-54-03	CR191
122-380062-1	24-54-03	CR192
122-380062-1	24-54-03	CR193
122-380062-1	24-54-03	CR194
122-380062-1	24-54-03	CR195
122-380062-1	24-54-03	CR284
122-380062-1	24-54-04	A164CR3
122-380062-1	24-54-04	A164CR4
122-380062-1	24-54-04	A164CR5
122-380062-1	24-54-04	A164CR3
122-380062-1	24-54-04	A164CR4

Part Number	GAMA/ATA Code	Reference Designator
122-380062-1	24-54-04	A164CR5
122-380062-5	24-31-01	CR175
122-380062-5	24-31-01	CR175
122-380062-5	24-51-01	CR237
122-380062-5	24-51-01	CR237
122-380062-5	24-51-01	CR237
122-380062-5	24-51-02	CR177
122-380062-5	24-51-02	CR177
122-380062-5	30-31-00	CR183
122-380062-5	30-31-00	CR184
122-380069-1	26-21-01	E135
122-380069-1	26-21-02	E136
122-381012-1	32-42-00	E208
122-381012-1	32-42-00	E209
122-381014-21	27-50-01	E212
122-381014-21	27-50-01	E212
122-381014-25	27-50-01	E211
122-381014-25	27-50-01	E211
122-381032-1	27-50-02	E210
122-382008-5	35-10-00	E183
122-382009-7	28-22-01	M104
122-382009-7	28-22-02	M105
122-382033-1	76-21-01	A107
122-382033-1	76-21-02	A104
122-382033-3	26-21-01	A106
122-382033-3	26-21-02	A105
122-382034-11	32-61-00	A146
122-382034-13	27-50-01	A145
122-382034-13	27-50-01	A145
122-382035-1	33-10-03	S101
122-382035-1	33-10-03	S102
122-382035-1	33-10-03	S103
122-382035-1	33-10-03	S104
122-382035-1	33-10-03	S105
122-382035-1	33-10-03	S106
122-382035-1	33-10-03	S107
122-382035-1	33-10-03	S108
122-382035-1	33-10-03	S101
122-382035-1	33-10-03	S102
122-382035-1	33-10-03	S103
122-382035-1	33-10-03	S104
122-382035-1	33-10-03	S105
122-382035-1	33-10-03	S106
122-382035-1	33-10-03	S107
122-382035-1	33-10-03	S108
122-382035-1	33-10-04	S109
122-382035-1	33-10-04	S110
122-382035-1	33-10-04	S111
122-382035-1	33-10-04	S112
122-382035-1	33-10-04	S113
122-382035-1	33-10-04	S114
122-382035-3	33-18-00	S255
122-382037-1	27-50-01	S198
122-382037-1	27-50-01	S198
122-382038-1	32-31-02	A100
122-382045-9	24-01-00	M101
122-382045-9	24-01-00	M103
122-382047-7	24-01-00	M102

**Beechcraft**  
**STARSHIP 1**  
**WIRING DIAGRAM MANUAL**  
**PART NUMBER INDEX (CONTINUED)**

Part Number	GAMA/ATA Code	Reference Designator
122-382053-23	33-15-00	U103
122-382057-17	33-15-00	U107
122-382058-5	33-10-02	U125
122-382061-7	21-61-02	E106
122-382061-7	21-61-02	E107
122-382063-5	21-61-02	E103
122-382064-3	21-32-00	E189
122-382064-7	21-32-00	E189
122-382064-7	21-32-00	E189
122-382065-3	21-61-02	E102
122-382066-25	21-32-00	E108
122-382066-25	21-32-00	E109
122-382066-25	21-32-00	E108
122-382066-25	21-32-00	E109
122-382076-19	33-10-02	S277
122-382076-7	33-10-02	S100
122-382076-9	21-32-00	S166
122-382076-9	21-32-00	S166
122-382083-1	33-10-01	R102
122-382083-1	33-10-01	R103
122-382083-1	33-10-01	R107
122-382083-3	33-10-01	R104
122-382083-3	33-10-01	R105
122-382083-7	33-10-01	R106
122-382086-1	33-12-00	U100
122-382086-1	33-12-00	U101
122-382086-1	33-12-00	U102
122-382088-5	31-51-01	A112
122-382088-5	31-51-01	A113
122-382088-7	31-51-01	A114
122-382088-7	31-51-01	A115
122-382089-1	31-21-00	M111
122-382100-7	28-45-00	M140
122-382105-15	33-15-00	U111
122-382106-27	33-15-00	U112
122-382107-9	33-15-00	U105
122-382108-5	33-15-00	U127
122-382109-3	21-31-01	S260
122-382110-3	33-15-00	U108
122-382111-7	33-15-00	U109
122-382112-5	33-15-00	U126
122-382118-1	30-41-00	B113
122-382118-2	30-41-00	B114
122-382129-1	30-41-00	E218
122-382133-1	21-61-01	M110
122-382134-1	35-10-00	M107
122-382137-15	33-15-00	U104
122-382143-1	36-21-00	M100
122-382146-3	21-31-02	M109
122-382147-3	21-31-02	M108
122-382148-17	33-15-00	U130
122-382149-7	33-15-00	U106
122-382150-3	33-15-00	U131
122-382152-1	33-15-00	U132
122-382153-1	27-31-03	M144
122-382170-1	26-21-02	A105
122-382170-1	76-21-01	A107
122-382170-1	76-21-02	A104

Part Number	GAMA/ATA Code	Reference Designator
122-382170-3	26-21-01	A106
122-384000-7	30-42-00	E139
122-384000-8	30-43-00	E181
122-384001-3	30-31-00	HR105
122-384001-3	30-31-00	HR106
122-384002-5	30-42-00	E180
122-384002-6	30-43-00	E201
122-384068-11	33-17-02	DS151
122-384068-11	33-17-13	DS151
122-384068-13	33-17-02	DS153
122-384068-13	33-17-13	DS153
122-384068-15	33-17-02	DS155
122-384068-15	33-17-13	DS155
122-384068-3	33-17-02	DS150
122-384068-3	33-17-13	DS150
122-384068-4	33-17-02	DS152
122-384068-4	33-17-13	DS152
122-384068-5	33-17-02	DS154
122-384068-5	33-17-13	DS154
122-384068-7	33-17-02	DS156
122-384068-7	33-17-13	DS156
122-384068-9	33-17-02	DS149
122-384068-9	33-17-13	DS149
122-384069-1	33-17-01	U121
122-384069-1	33-17-01	U122
122-384069-1	33-17-01	U123
122-384069-1	33-17-15	U121
122-384069-1	33-17-15	U122
122-384069-1	33-17-15	U123
122-384070-3	38-21-00	HR107
122-384077-3	33-14-00	A172
122-384077-3	33-14-00	A173
122-384078-1	33-46-00	A171
122-384078-2	33-46-00	A177
122-384081-1	33-17-01	A169
122-384081-1	33-17-15	A169
122-384081-3	33-17-15	A169
122-384083-3	33-16-00	A174
122-384101-1	33-15-00	PS106
122-384101-1	33-15-00	PS107
122-384101-1	33-17-02	PS108
122-384101-1	33-17-02	PS109
122-384101-1	33-17-13	PS108
122-384101-1	33-17-13	PS109
122-384102-1	33-17-01	PS111
122-384102-1	33-17-15	PS111
122-384108-1	25-22-00	A221
122-384108-23	25-22-00	A221
122-384120	33-17-05	S402
122-384120	33-17-05	S403
122-384120	33-17-05	S404
122-384120	33-17-05	S405
122-384120	33-17-11	S500
122-384120	33-17-12	S501
122-388007-1	32-43-02	A201B1
122-388007-1	32-43-02	A201B1
122-389020-1	24-33-00	A118
122-389020-1	91-28-00	A116

**Beechcraft**  
**STARSHIP 1**  
**WIRING DIAGRAM MANUAL**  
**PART NUMBER INDEX (CONTINUED)**

Part Number	GAMA/ATA Code	Reference Designator
122-389020-1	91-29-00	A117
122-389025-3	28-11-00	HR103
122-389025-3	28-11-00	HR104
122-389027-1	80-11-00	E118
122-389027-1	80-11-00	E119
122-389028-3	77-11-00	MT114
122-389028-3	77-11-00	MT119
122-389034-3	28-44-00	MT100
122-389034-3	28-44-00	MT101
122-530279-601	33-17-05	A237
122-530279-601	33-17-05	A238
122-530279-601	33-17-05	A239
122-530279-601	33-17-05	A240
122-530279-601	33-17-05	A241
122-530279-601	33-17-05	A242
122-530279-601	33-17-05	A243
122-530279-601	33-17-05	A244
122-530279-601	33-17-08	A237
122-530279-601	33-17-08	A238
122-530279-601	33-17-08	A239
122-530279-601	33-17-08	A240
122-530279-601	33-17-08	A241
122-530279-601	33-17-08	A242
122-530279-601	33-17-08	A243
122-530279-601	33-17-08	A244
122-530279-601	33-21-00	A237
122-530279-601	33-21-00	A238
122-530279-601	33-21-00	A239
122-530279-601	33-21-00	A240
122-530279-601	33-21-00	A241
122-530279-601	33-21-00	A242
122-530279-601	33-21-00	A243
122-530279-601	33-21-00	A244
122-530279-601	33-22-01	A237
122-530279-601	33-22-01	A238
122-530279-601	33-22-01	A239
122-530279-601	33-22-01	A240
122-530279-601	33-22-01	A241
122-530279-601	33-22-01	A242
122-530279-601	33-22-01	A243
122-530279-601	33-22-01	A244
122-530359-609	33-17-11	A227
122-530359-609	33-17-11	A228
122-530359-609	33-17-11	A229
122-530359-609	33-17-12	A230
122-530359-609	33-17-12	A231
122-530359-609	33-17-12	A232
122-530359-609	33-17-14	A227
122-530359-609	33-17-14	A228
122-530359-609	33-17-14	A229
122-530359-609	33-17-14	A230
122-530359-609	33-17-14	A231
122-530359-609	33-17-14	A232
122-530359-609	33-22-01	A227
122-530359-609	33-22-01	A228
122-530359-609	33-22-01	A229
122-530359-609	33-22-01	A230
122-530359-609	33-22-01	A231

Part Number	GAMA/ATA Code	Reference Designator
122-530359-609	33-22-01	A232
122-530371	33-18-01	A233
122-530371	33-18-01	A236
122-540081-1	21-31-01	A187
122-550133-5	21-52-00	R137
122-550133-5	21-52-00	R138
122-550133-5	21-52-00	R139
122-550133-5	21-52-00	R140
122-550133-5	21-52-00	R141
122-550133-5	21-52-00	R142
122-550133-5	21-61-02	R143
122-550134-1	21-52-00	S241
122-550134-1	21-52-00	S242
122-550134-1	21-52-00	S243
122-550134-1	21-52-00	S244
122-550134-3	21-51-00	S172
122-550134-3	21-51-00	S172
122-580161-1	32-43-02	A201
122-580161-1	32-43-02	A201
122-920051-43	28-21-01	B105
122-920051-43	28-21-01	B106
122-970105-1	30-10-03	E235
122-970105-1	30-10-03	E236
122-970105-1	30-10-04	E240
122-970105-1	30-10-05	E237
122-970107-1	30-10-03	S313
122-970107-1	30-10-03	S314
122-970107-1	30-10-04	S318
122-970107-1	30-10-05	S316
122-970108-1	30-10-03	S306
122-970108-1	30-10-03	S307
122-970108-1	30-10-04	S310
122-970108-1	30-10-04	S311
122-970108-1	30-10-05	S308
122-970108-1	30-10-05	S309
13AT236-S-N	30-42-00	S134
130106BSM-25S	21-51-00	P246
130106BSM-25S	21-51-00	P246
130106BSM-25S	24-33-00	P221
130106BSM-25S	27-50-03	P752
130106BSM-25S	27-50-03	P753
130106BSM-25S	27-50-03	P753
130106BSM-25S	27-50-04	P752
130106BSM-25S	32-31-01	P327
130106BSM-25S	32-42-00	P206
130106BSM-25S	32-43-01	P206
130106BSM-25S	61-23-00	P206
130106CSM-37S	30-10-01	P936
130106DSM-50S	24-34-01	P202
130106DSM-50S	24-34-02	P202
130106DSM-50S	27-50-01	P745
130106DSM-50S	27-50-01	P745
130106DSM-50S	27-50-03	P755
130106DSM-50S	27-50-04	P754
130106DSM-50S	30-10-02	P939
130106DSM-50S	31-51-01	P203
130106DSM-50S	31-51-02	P205
130106DSM-50S	32-31-01	P598

**Beechcraft**  
**STARSHIP 1**  
**WIRING DIAGRAM MANUAL**  
*PART NUMBER INDEX (CONTINUED)*

Part Number	GAMA/ATA Code	Reference Designator
130106DSM-50S	32-31-02	P598
130106DSM-50S	32-61-00	P598
130106DSM-50S	33-10-01	P591
130106DSM-50S	91-37-00	P309
130106DSM-50S	91-39-00	P341
130106DSM-50S	91-40-00	P760
130106DSM-50S	91-42-00	P931
13016ASM-15S	27-31-02	P943
13016BSM-25S	24-41-00	P307
13016BSM-25S	24-41-01	P307
13016BSM-25S	30-42-00	P307
130356-18	21-31-01	E185
1308	33-13-00	DS113
131270-1	24-54-04	A164GS2
131270-1	24-54-04	A164GS3
131270-1	24-54-04	A164GS2
131270-1	24-54-04	A164GS3
131270-3	24-31-01	GS127
131270-3	24-31-01	GS127
131270-3	24-35-00	GS101
131270-3	24-35-00	GS102
131270-3	24-35-00	GS118
131270-3	24-35-00	GS119
131270-3	24-51-01	GS126
131270-3	24-51-01	GS126
131270-3	24-51-01	GS126
131270-3	24-51-02	GS128
131270-3	24-51-02	GS128
131270-3	30-31-00	GS129
131270-3	30-31-00	GS130
131981-7	24-31-02	A121CB3
131984-1	24-33-00	A119CB4
131984-10	24-31-01	A122CB4
131984-10	24-31-01	A122CB6
131984-10	24-31-01	A122CB4
131984-10	24-31-01	A122CB6
131984-10	24-31-02	A121CB4
131984-10	24-31-02	A121CB6
131984-10	24-54-01	CB137
131984-10	24-54-03	CB210
131984-10	24-54-03	CB211
131984-10	24-54-03	CB212
131984-10	24-54-03	CB216
131984-10	24-54-03	2450CB37
131984-10	24-54-03	CB210
131984-10	24-54-03	CB211
131984-10	24-54-03	CB212
131984-10	24-54-03	CB216
131984-10	24-54-03	2450CB37
131984-10	24-54-03	CB210
131984-10	24-54-03	CB211
131984-10	24-54-03	CB212
131984-10	24-54-03	CB216
131984-10	24-54-03	2450CB37
131984-10	24-54-05	CB172
131984-10	33-10-04	CB172
131984-15	24-31-01	A122CB1
131984-15	24-31-01	A122CB1

Part Number	GAMA/ATA Code	Reference Designator
131984-15	24-31-02	A121CB1
131984-15	24-54-01	CB101
131984-15	24-54-01	CB148
131984-15	24-54-01	CB226
131984-15	24-54-01	CB272
131984-15	24-54-02	CB162
131984-15	24-54-02	CB164
131984-15	24-54-03	2450CB43
131984-15	24-54-03	2450CB43
131984-15	24-54-03	2450CB43
131984-15	24-54-04	A164CB19
131984-15	24-54-04	A164CB24
131984-15	24-54-04	A164CB27
131984-15	24-54-04	A164CB19
131984-15	24-54-04	A164CB24
131984-15	24-54-04	A164CB27
131984-15	24-54-05	CB139
131984-15	24-54-05	CB171
131984-15	24-54-05	CB236
131984-15	24-54-05	CB259
131984-15	24-54-05	CB288
131984-15	28-21-02	CB162
131984-15	28-21-02	CB164
131984-15	30-31-00	CB101
131984-15	30-31-00	CB148
131984-15	30-42-00	CB245
131984-15	30-43-00	CB246
131984-15	30-81-00	CB226
131984-15	30-81-00	CB272
131984-15	30-82-00	CB288
131984-15	33-44-00	CB139
131984-15	33-44-00	CB171
131984-15	33-44-00	CB236
131984-15	33-44-00	CB259
131984-25	24-54-03	CB258
131984-25	24-54-03	CB258
131984-25	24-54-03	CB258
131984-5	21-21-00	CB262
131984-5	21-21-00	CB263
131984-5	21-31-01	CB122
131984-5	21-31-01	CB125
131984-5	21-31-01	CB251
131984-5	21-51-00	CB264
131984-5	21-51-00	CB264
131984-5	24-31-01	CB130
131984-5	24-31-01	CB232
131984-5	24-31-01	CB130
131984-5	24-31-01	CB232
131984-5	24-33-00	A119CB1
131984-5	24-33-00	A119CB10
131984-5	24-33-00	A119CB11
131984-5	24-33-00	A119CB12
131984-5	24-33-00	A119CB13
131984-5	24-33-00	A119CB14
131984-5	24-33-00	A119CB15
131984-5	24-33-00	A119CB16
131984-5	24-33-00	A119CB17
131984-5	24-33-00	A119CB18

**Beechcraft**  
**STARSHIP 1**  
**WIRING DIAGRAM MANUAL**  
**PART NUMBER INDEX (CONTINUED)**

Part Number	GAMA/ATA Code	Reference Designator
131984-5	24-33-00	A119CB2
131984-5	24-33-00	A119CB3
131984-5	24-33-00	A119CB5
131984-5	24-33-00	A119CB6
131984-5	24-33-00	A119CB7
131984-5	24-33-00	A119CB8
131984-5	24-33-00	A119CB9
131984-5	24-34-01	CB129
131984-5	24-34-01	CB131
131984-5	24-41-00	CB209
131984-5	24-41-01	CB209
131984-5	24-51-01	CB231
131984-5	24-51-01	CB231
131984-5	24-51-01	CB231
131984-5	24-51-02	CB233
131984-5	24-51-02	CB233
131984-5	24-54-01	CB111
131984-5	24-54-01	CB144
131984-5	24-54-01	CB151
131984-5	24-54-01	CB153
131984-5	24-54-01	CB161
131984-5	24-54-01	CB163
131984-5	24-54-01	CB165
131984-5	24-54-01	CB170
131984-5	24-54-01	CB174
131984-5	24-54-01	CB175
131984-5	24-54-01	CB176
131984-5	24-54-01	CB177
131984-5	24-54-01	CB178
131984-5	24-54-01	CB180
131984-5	24-54-01	CB250
131984-5	24-54-01	CB262
131984-5	24-54-01	CB263
131984-5	24-54-01	CB264
131984-5	24-54-01	CB265
131984-5	24-54-01	CB270
131984-5	24-54-01	CB274
131984-5	24-54-01	CB277
131984-5	24-54-02	CB102
131984-5	24-54-02	CB103
131984-5	24-54-02	CB110
131984-5	24-54-02	CB112
131984-5	24-54-02	CB113
131984-5	24-54-02	CB115
131984-5	24-54-02	CB117
131984-5	24-54-02	CB120
131984-5	24-54-02	CB122
131984-5	24-54-02	CB123
131984-5	24-54-02	CB125
131984-5	24-54-02	CB128
131984-5	24-54-02	CB129
131984-5	24-54-02	CB130
131984-5	24-54-02	CB131
131984-5	24-54-02	CB133
131984-5	24-54-02	CB134
131984-5	24-54-02	CB138
131984-5	24-54-02	CB140
131984-5	24-54-02	CB145

Part Number	GAMA/ATA Code	Reference Designator
131984-5	24-54-02	CB150
131984-5	24-54-02	CB156
131984-5	24-54-02	CB157
131984-5	24-54-02	CB158
131984-5	24-54-02	CB167
131984-5	24-54-02	CB168
131984-5	24-54-02	CB179
131984-5	24-54-02	CB181
131984-5	24-54-02	CB182
131984-5	24-54-02	CB188
131984-5	24-54-02	CB189
131984-5	24-54-02	CB190
131984-5	24-54-02	CB191
131984-5	24-54-02	CB197
131984-5	24-54-02	CB198
131984-5	24-54-02	CB219
131984-5	24-54-02	CB220
131984-5	24-54-02	CB227
131984-5	24-54-02	CB247
131984-5	24-54-02	CB248
131984-5	24-54-02	CB249
131984-5	24-54-02	CB251
131984-5	24-54-02	CB254
131984-5	24-54-02	CB255
131984-5	24-54-02	CB256
131984-5	24-54-02	CB257
131984-5	24-54-02	CB267
131984-5	24-54-02	CB268
131984-5	24-54-03	CB104
131984-5	24-54-03	CB105
131984-5	24-54-03	CB106
131984-5	24-54-03	CB107
131984-5	24-54-03	CB108
131984-5	24-54-03	CB147
131984-5	24-54-03	CB213
131984-5	24-54-03	CB215
131984-5	24-54-03	2450CB18
131984-5	24-54-03	CB104
131984-5	24-54-03	CB105
131984-5	24-54-03	CB106
131984-5	24-54-03	CB107
131984-5	24-54-03	CB108
131984-5	24-54-03	CB147
131984-5	24-54-03	CB213
131984-5	24-54-03	CB215
131984-5	24-54-03	2450CB18
131984-5	24-54-03	CB104
131984-5	24-54-03	CB105
131984-5	24-54-03	CB106
131984-5	24-54-03	CB107
131984-5	24-54-03	CB108
131984-5	24-54-03	CB147
131984-5	24-54-03	CB213
131984-5	24-54-03	CB215
131984-5	24-54-03	2450CB18
131984-5	24-54-04	A164CB10
131984-5	24-54-04	A164CB11
131984-5	24-54-04	A164CB12



**Beechcraft**  
**STARSHIP 1**  
**WIRING DIAGRAM MANUAL**  
*PART NUMBER INDEX (CONTINUED)*

Part Number	GAMA/ATA Code	Reference Designator
131984-5	24-54-04	A164CB13
131984-5	24-54-04	A164CB14
131984-5	24-54-04	A164CB15
131984-5	24-54-04	A164CB17
131984-5	24-54-04	A164CB2
131984-5	24-54-04	A164CB20
131984-5	24-54-04	A164CB23
131984-5	24-54-04	A164CB28
131984-5	24-54-04	A164CB3
131984-5	24-54-04	A164CB4
131984-5	24-54-04	A164CB6
131984-5	24-54-04	A164CB7
131984-5	24-54-04	A164CB9
131984-5	24-54-04	A164CB10
131984-5	24-54-04	A164CB11
131984-5	24-54-04	A164CB12
131984-5	24-54-04	A164CB13
131984-5	24-54-04	A164CB14
131984-5	24-54-04	A164CB15
131984-5	24-54-04	A164CB17
131984-5	24-54-04	A164CB2
131984-5	24-54-04	A164CB20
131984-5	24-54-04	A164CB23
131984-5	24-54-04	A164CB28
131984-5	24-54-04	A164CB3
131984-5	24-54-04	A164CB4
131984-5	24-54-04	A164CB6
131984-5	24-54-04	A164CB7
131984-5	24-54-04	A164CB9
131984-5	24-54-05	CB119
131984-5	24-54-05	CB141
131984-5	24-54-05	CB282
131984-5	24-56-00	CB213
131984-5	26-11-00	CB188
131984-5	26-11-00	CB189
131984-5	26-12-00	CB198
131984-5	27-31-01	CB227
131984-5	27-31-01	CB268
131984-5	27-31-02	CB112
131984-5	27-31-02	CB267
131984-5	27-50-01	CB134
131984-5	27-50-01	CB182
131984-5	27-50-01	CB248
131984-5	27-50-01	CB249
131984-5	27-50-01	CB134
131984-5	27-50-01	CB182
131984-5	27-50-01	CB248
131984-5	27-50-01	CB249
131984-5	28-11-00	CB170
131984-5	28-11-00	CB174
131984-5	28-21-02	CB156
131984-5	28-22-01	CB140
131984-5	28-22-02	CB150
131984-5	28-43-00	CB179
131984-5	28-43-00	CB181
131984-5	28-44-00	CB145
131984-5	28-44-00	CB158
131984-5	28-45-00	CB247

Part Number	GAMA/ATA Code	Reference Designator
131984-5	30-10-01	CB277
131984-5	30-21-01	CB110
131984-5	30-21-01	CB144
131984-5	30-21-02	CB128
131984-5	30-21-02	CB153
131984-5	30-42-00	CB175
131984-5	30-42-00	CB177
131984-5	30-43-00	CB176
131984-5	31-51-07	CB104
131984-5	31-51-07	CB105
131984-5	31-51-07	CB106
131984-5	31-51-07	CB107
131984-5	31-51-07	CB108
131984-5	31-51-07	CB147
131984-5	31-51-07	CB219
131984-5	31-51-07	CB220
131984-5	32-31-01	CB133
131984-5	32-42-00	CB161
131984-5	32-43-01	CB265
131984-5	32-61-00	CB103
131984-5	32-62-00	CB102
131984-5	33-10-03	CB141
131984-5	33-10-03	CB141
131984-5	33-10-04	CB119
131984-5	33-19-00	CB138
131984-5	33-19-00	CB157
131984-5	33-19-00	CB254
131984-5	33-19-00	CB255
131984-5	33-19-00	CB256
131984-5	33-19-00	CB257
131984-5	34-10-00	CB168
131984-5	35-10-00	CB123
131984-5	36-21-00	CB270
131984-5	36-21-00	CB274
131984-5	61-22-01	CB111
131984-5	61-24-00	CB151
131984-5	61-24-00	CB151
131984-5	74-11-01	CB167
131984-5	74-11-02	CB197
131984-5	76-21-01	CB165
131984-5	76-21-02	CB163
131984-5	79-32-00	CB178
131984-5	79-32-00	CB180
131984-5	79-33-00	CB190
131984-5	79-33-00	CB191
131984-5	79-34-00	CB115
131984-5	79-34-00	CB117
131984-5	80-11-00	CB113
131984-5	80-11-00	CB120
131984-7	21-32-00	CB114
131984-7	21-32-00	CB152
131984-7	21-32-00	CB114
131984-7	21-32-00	CB152
131984-7	24-31-01	A122CB2
131984-7	24-31-01	A122CB3
131984-7	24-31-01	A122CB5
131984-7	24-31-01	A122CB2
131984-7	24-31-01	A122CB5

Beechcraft  
**STARSHIP 1**  
**WIRING DIAGRAM MANUAL**  
*PART NUMBER INDEX (CONTINUED)*

Part Number	GAMA/ATA Code	Reference Designator
131984-7	24-31-02	A121CB2
131984-7	24-31-02	A121CB5
131984-7	24-41-00	CB208
131984-7	24-41-01	CB208
131984-7	24-54-01	CB114
131984-7	24-54-01	CB173
131984-7	24-54-01	CB225
131984-7	24-54-01	CB234
131984-7	24-54-01	CB260
131984-7	24-54-02	CB152
131984-7	24-54-02	CB276
131984-7	24-54-03	CB282
131984-7	24-54-03	CB282
131984-7	24-54-04	A164CB1
131984-7	24-54-04	A164CB16
131984-7	24-54-04	A164CB18
131984-7	24-54-04	A164CB21
131984-7	24-54-04	A164CB5
131984-7	24-54-04	A164CB1
131984-7	24-54-04	A164CB16
131984-7	24-54-04	A164CB18
131984-7	24-54-04	A164CB21
131984-7	24-54-04	A164CB5
131984-7	24-54-05	CB160
131984-7	24-54-05	CB196
131984-7	24-54-05	CB278
131984-7	24-54-05	CB279
131984-7	24-54-05	CB280
131984-7	24-54-05	CB281
131984-7	27-31-01	CB234
131984-7	27-31-02	CB173
131984-7	30-10-01	CB276
131984-7	30-81-00	CB225
131984-7	30-81-00	CB260
131984-7	33-10-04	CB160
131984-7	33-10-04	CB196
131984-7	73-32-00	CB280
131984-7	73-32-00	CB281
131984-7	73-32-00	CB280
131984-7	73-32-00	CB281
13270-1	24-54-04	A164GS1
13270-1	24-54-04	A164GS1
140-04715	32-43-01	E223
140-04715	32-43-01	E224
140-04715	32-43-01	E225
140-04715	32-43-01	E226
1495	33-14-00	A172DS1
1495	33-14-00	A173DS1
1495	33-18-00	DS139
1506-102	24-01-00	J600
1506-103	24-01-00	J601
160-012-60	32-31-01	CB201
1616E018SLT	33-21-00	B115
1616E018SLT	33-21-00	B116
1616E018SLT	33-21-00	B117
1616E018SLT	33-21-00	B118
1616E018SLT	33-21-00	B119
1616E018SLT	33-21-00	B120

Part Number	GAMA/ATA Code	Reference Designator
1616E018SLT	33-21-00	B121
1616E018SLT	33-21-00	B122
1616E018SLT	33-21-00	B123
1616E018SLT	33-21-00	B124
169-380021-9	27-31-01	A193
169-380021-9	27-31-02	A196
18-1024-2	33-17-09	PS500
18-1024-2	33-17-10	PS505
18-944-2	33-17-09	PS504
18-944-2	33-17-11	PS509
18-944-2	33-17-11	PS510
18-944-2	33-17-11	PS511
18-944-2	33-17-11	PS512
18-944-2	33-17-12	PS513
18-944-2	33-17-12	PS514
18-944-2	33-17-12	PS515
18-944-2	33-17-12	PS516
18-95D	33-17-03	PS126
18-95D	33-17-03	PS127
18-95D	33-17-03	PS128
18-95D	33-17-03	PS129
18-95D	33-17-03	PS130
18-95D	33-17-03	PS131
18-95D	33-17-04	PS132
18-95D	33-17-06	PS137
18-95D	33-17-06	PS138
18-95D	33-17-06	PS139
18-95D	33-17-06	PS140
18-95D	33-17-06	PS141
18-95D	33-17-06	PS142
18-996C	33-17-04	PS133
186641-001	61-23-00	E128
186641-001	61-23-00	E204
189894-001	61-23-00	E127
189894-001	61-23-00	E203
1982	33-16-00	A174DS1
1982	33-16-00	A174DS2
20PS001BA300K220K	21-51-00	S240
20PS001BA300K220K	21-51-00	S240
200277-2	91-21-00	P382
200277-2	91-22-00	P383
200277-4	91-33-00	J647
200838-3	30-10-01	P944
200838-3	30-81-00	P944
200838-3	91-04-00	P275
200838-3	91-05-00	P276
200838-3	91-06-00	P277
200838-3	91-07-00	P278
200838-3	91-08-00	P279
200838-3	91-08-00	P279
200838-3	91-09-00	P280
200838-3	91-09-00	P280
200838-3	91-10-00	P381
200838-3	91-11-00	P306
200838-3	91-12-00	P407
201037-2	91-01-00	J101
201037-2	91-01-00	J101
201037-2	91-02-00	J102

**Beechcraft**  
**STARSHIP 1**  
**WIRING DIAGRAM MANUAL**  
*PART NUMBER INDEX (CONTINUED)*

Part Number	GAMA/ATA Code	Reference Designator
201037-2	91-03-00	J103
201037-2	91-52-00	J111
201301-3	33-10-02	J290
201302-3	33-10-02	P290
201345-2	91-01-00	P101
201345-2	91-01-00	P101
201345-2	91-02-00	P102
201345-2	91-03-00	P103
201345-2	91-52-00	P111
201358-1	91-21-00	J382
201358-1	91-22-00	J383
201358-3	91-33-00	P647
202-102 (RED)	21-51-00	J737
202-102 (RED)	21-51-00	J739
202-102 (RED)	21-51-00	A234J1
202-102 (RED)	21-51-00	A234J3
202-103 (BLK)	21-51-00	J738
202-103 (BLK)	21-51-00	A234J2
204228-3	31-51-01	TB103
20425L97-840-759	21-51-00	S236
20425L97-840-759	21-51-00	S237
20425L97-840-759	21-51-00	S236
20425L97-840-759	21-51-00	S237
204814-1	30-10-01	J944
204814-1	30-81-00	J944
204814-1	30-82-00	J944
204814-1	91-04-00	J275
204814-1	91-05-00	J276
204814-1	91-06-00	J277
204814-1	91-07-00	J278
204814-1	91-08-00	J279
204814-1	91-08-00	J279
204814-1	91-09-00	J280
204814-1	91-09-00	J280
204814-1	91-10-00	J381
204814-1	91-11-00	J306
204814-1	91-12-00	J407
205203-1	21-61-01	P644
205203-1	24-01-00	P404
205203-1	24-01-00	P405
205203-1	24-01-00	P406
205203-1	28-22-01	P379
205203-1	28-22-02	P380
205203-1	28-45-00	P726
205203-1	35-10-00	P542
205203-1	36-21-00	P504
205205-1	24-01-00	P408
205210-1	33-10-01	P585
205211-1	91-23-00	P485
205560-2	27-50-03	A178J5
205560-2	27-50-03	A178J6
205560-2	27-50-04	A178J5
205560-2	27-50-04	A178J6
205560-2	27-50-05	A178J5
205560-2	27-50-05	A178J6
205838-1	21-21-00	P629
205839-3	31-51-02	P228
205840-3	31-51-02	A103J1

Part Number	GAMA/ATA Code	Reference Designator
205840-3	32-31-02	A100J1
205841-2	21-21-00	R133J1
206036-3	21-32-00	A175J1
206036-3	21-32-00	A175J1
206037-1	21-32-00	P642
206037-1	21-32-00	P642
206037-1	27-50-01	P700
206037-1	27-50-01	P700
206038-1	27-50-01	S198J1
206038-1	27-50-01	S198J1
206060-1	21-61-01	P646
206060-1	25-22-00	P970
206150-1	27-50-02	P679
206150-1	30-31-00	P679
206150-1	30-31-00	P689
206150-1	32-62-00	P679
206150-1	34-10-00	P679
206150-1	91-17-00	P310
206150-1	91-19-00	P239
206150-1	91-45-00	P697
206150-1	91-48-00	P695
206151-1	91-17-00	J310
206151-1	91-19-00	J239
206151-2	27-50-02	J679
206151-2	30-31-00	J679
206151-2	30-31-00	J689
206151-2	32-62-00	J679
206151-2	34-10-00	J679
206151-2	91-45-00	J697
206151-2	91-48-00	J695
206153-1	21-61-01	J646
206153-1	25-22-00	A221J1
206305-1	27-31-02	P901
206305-1	27-31-03	P901
206305-1	91-49-00	J694
206306-2	27-31-02	J901
206306-2	27-31-03	J901
206306-2	33-15-00	P694
206306-2	91-49-00	P694
206482-24V-7	25-21-00	E163
206485-1	21-61-01	P645
206486-2	21-61-01	J645
206705-2	28-21-02	J714
206708-1	28-21-02	P714
206837-1	31-51-01	P409
206837-1	91-46-00	P696
206838-1	31-51-01	J409
206838-2	91-46-00	J696
207015-1	33-15-00	P514
207015-1	33-15-00	P515
207015-1	33-17-02	P535
207015-1	33-17-02	P536
207015-1	33-17-13	P535
207015-1	33-17-13	P536
207015-1	38-21-00	P757
207016-1	38-21-00	J757
207017-1	24-31-01	P215
207017-1	24-31-01	P215

Beechcraft  
**STARSHIP 1**  
**WIRING DIAGRAM MANUAL**  
*PART NUMBER INDEX (CONTINUED)*

Part Number	GAMA/ATA Code	Reference Designator
207017-1	24-31-02	P294
207017-1	30-81-00	P986
207017-1	30-82-00	P1100
207017-1	33-17-01	P597
207017-1	33-17-11	P1046
207017-1	33-17-11	P1050
207017-1	33-17-11	P1054
207017-1	33-17-12	P1062
207017-1	33-17-12	P1066
207017-1	33-17-12	P1070
207017-1	33-17-15	P597
207017-1	33-22-01	P1046
207017-1	33-22-01	P1050
207017-1	33-22-01	P1054
207017-1	33-22-01	P1062
207017-1	33-22-01	P1066
207017-1	33-22-01	P1070
207017-1	91-41-00	P877
207018-1	24-31-01	A122J1
207018-1	24-31-01	A122J1
207018-1	24-31-02	A121J1
207018-1	30-81-00	J986
207018-1	30-82-00	J1100
207018-1	33-17-01	A169J1
207018-1	33-17-11	A227J1
207018-1	33-17-11	A228J1
207018-1	33-17-11	A229J1
207018-1	33-17-12	A230J1
207018-1	33-17-12	A231J1
207018-1	33-17-12	A232J1
207018-1	33-17-14	A227J1
207018-1	33-17-14	A228J1
207018-1	33-17-14	A229J1
207018-1	33-17-14	A230J1
207018-1	33-17-14	A231J1
207018-1	33-17-14	A232J1
207018-1	33-17-15	A169J1
207018-1	33-22-01	A227J1
207018-1	33-22-01	A228J1
207018-1	33-22-01	A229J1
207018-1	33-22-01	A230J1
207018-1	33-22-01	A231J1
207018-1	33-22-01	A232J1
207018-1	91-41-00	J877
207152-1	27-31-04	P964
207152-1	33-12-00	P497
207152-1	33-17-01	P717
207152-1	33-17-05	P821
207152-1	33-17-05	P824
207152-1	33-17-05	P827
207152-1	33-17-05	P830
207152-1	33-17-11	P1058
207152-1	33-17-12	P1074
207152-1	33-17-15	P717
207152-1	33-19-00	P651
207153-1	21-51-00	A234J1
207153-1	27-31-04	J964
207153-1	33-12-00	J497

Part Number	GAMA/ATA Code	Reference Designator
207153-1	33-17-05	S402J1
207153-1	33-17-05	S403J1
207153-1	33-17-05	S404J1
207153-1	33-17-05	S405J1
207153-1	33-17-11	S500J1
207153-1	33-17-12	S501J1
207153-1	33-19-00	J651
207359-1	21-51-00	J394
207359-1	21-51-00	J626
207359-1	21-51-00	J394
207359-1	21-51-00	J626
207359-1	21-52-00	J603
207359-1	21-52-00	J604
207359-1	21-52-00	J605
207359-1	21-52-00	J606
207359-1	21-52-00	R137J1
207359-1	21-52-00	R138J1
207359-1	21-52-00	R139J1
207359-1	21-52-00	R140J1
207359-1	21-52-00	R141J1
207359-1	21-52-00	R142J1
207359-1	21-61-01	J712
207359-1	24-56-00	J732
207359-1	27-50-03	J767
207359-1	31-51-06	S235J1
207359-1	33-13-00	J715
207359-1	33-16-00	A174J1
207359-1	33-17-01	J911
207359-1	33-17-15	J911
207359-1	33-18-01	A233J1
207359-1	33-18-01	A236J1
207359-1	33-18-01	J1018
207359-1	33-22-01	E205J1
207359-1	33-22-01	E251J1
207359-1	33-23-00	J351
207359-1	33-23-00	J352
207359-1	33-23-00	J354
207359-1	33-23-00	J355
207359-1	33-23-00	J356
207359-1	34-10-00	P713
207359-1	38-20-00	J1018
207360-1	21-51-00	P394
207360-1	21-51-00	P592
207360-1	21-51-00	P649
207360-1	21-51-00	P657
207360-1	21-51-00	P394
207360-1	21-51-00	P592
207360-1	21-51-00	P649
207360-1	21-51-00	P657
207360-1	21-52-00	P632
207360-1	21-52-00	P633
207360-1	21-52-00	P634
207360-1	21-52-00	P635
207360-1	21-52-00	P636
207360-1	21-52-00	P637
207360-1	21-52-00	S241P1
207360-1	21-52-00	S242P1
207360-1	21-52-00	S243P1

**Beechcraft**  
**STARSHIP 1**  
**WIRING DIAGRAM MANUAL**  
*PART NUMBER INDEX (CONTINUED)*

Part Number	GAMA/ATA Code	Reference Designator
207360-1	21-52-00	S244P1
207360-1	21-61-01	P712
207360-1	21-61-02	P641
207360-1	24-56-00	P732
207360-1	27-50-03	P767
207360-1	31-51-06	P628
207360-1	33-13-00	P715
207360-1	33-16-00	P699
207360-1	33-17-01	P911
207360-1	33-17-15	P911
207360-1	33-18-01	P1018
207360-1	33-18-01	P1075
207360-1	33-18-01	P1076
207360-1	33-22-01	P687
207360-1	33-22-01	P825
207360-1	33-23-00	P351
207360-1	33-23-00	P352
207360-1	33-23-00	P354
207360-1	33-23-00	P355
207360-1	33-23-00	P356
207360-1	34-10-00	J713
207360-1	38-20-00	P1018
207376-1	33-23-00	J350
207377-1	33-23-00	P350
207439-1	24-41-00	J1003
207439-1	24-41-01	J1003
207439-1	27-31-03	P932
207439-1	33-17-10	P1033
207439-1	33-22-01	P1033
207440-1	24-41-00	P1003
207440-1	24-41-01	P1003
207440-1	27-31-03	K508J1
207440-1	33-17-10	J1033
207440-1	33-22-01	J1033
207442-1	27-31-03	P924
207442-1	30-81-00	P953
207442-1	33-10-05	P384
207442-1	33-10-06	P910
207442-1	33-17-05	P820
207442-1	33-17-05	P822
207442-1	33-17-05	P823
207442-1	33-17-05	P825
207442-1	33-17-05	P826
207442-1	33-17-05	P828
207442-1	33-17-05	P829
207442-1	33-17-05	P831
207442-1	33-21-00	P820
207442-1	33-21-00	P822
207442-1	33-21-00	P823
207442-1	33-21-00	P825
207442-1	33-21-00	P826
207442-1	33-21-00	P828
207442-1	33-21-00	P829
207442-1	33-21-00	P831
207442-1	33-22-01	P820
207442-1	33-22-01	P822
207442-1	33-22-01	P823
207442-1	33-22-01	P825

Part Number	GAMA/ATA Code	Reference Designator
207442-1	33-22-01	P826
207442-1	33-22-01	P828
207442-1	33-22-01	P829
207442-1	33-22-01	P831
207442-1	91-47-00	P698
207442-1	91-47-00	P698
207443-1	27-31-03	J924
207443-1	30-81-00	J953
207443-1	33-10-05	J384
207443-1	33-10-06	J910
207443-1	33-17-05	A237J1
207443-1	33-17-05	A238J1
207443-1	33-17-05	A239J1
207443-1	33-17-05	A240J1
207443-1	33-17-05	A241J1
207443-1	33-17-05	A242J1
207443-1	33-17-05	A243J1
207443-1	33-17-05	A244J1
207443-1	33-17-08	A237J1
207443-1	33-17-08	A238J1
207443-1	33-17-08	A239J1
207443-1	33-17-08	A240J1
207443-1	33-17-08	A241J1
207443-1	33-17-08	A242J1
207443-1	33-17-08	A243J1
207443-1	33-17-08	A244J1
207443-1	33-21-00	A237J1
207443-1	33-21-00	A238J1
207443-1	33-21-00	A239J1
207443-1	33-21-00	A240J1
207443-1	33-21-00	A241J1
207443-1	33-21-00	A242J1
207443-1	33-21-00	A243J1
207443-1	33-21-00	A244J1
207443-1	33-22-01	A237J1
207443-1	33-22-01	A238J1
207443-1	33-22-01	A239J1
207443-1	33-22-01	A240J1
207443-1	33-22-01	A241J1
207443-1	33-22-01	A242J1
207443-1	33-22-01	A243J1
207443-1	33-22-01	A244J1
207443-1	91-47-00	J698
207443-1	91-47-00	J698
207569-1	21-51-00	S247J1
207571-1	21-51-00	P625
207829-3	33-10-01	J585
213181	61-24-00	E126
213181	61-24-00	E206
213181	61-24-00	E126
21649-TI-0109	30-21-01	S139
21649-TI-0109	30-21-02	S140
23085-001	24-31-01	G1
23085-001	24-31-01	G1
23085-001	24-31-02	G1
2520-10	33-18-01	A233DS1
2520-10	33-18-01	A236DS1
2617T100-29	21-21-00	E104

Beechcraft  
**STARSHIP 1**  
**WIRING DIAGRAM MANUAL**  
*PART NUMBER INDEX (CONTINUED)*

Part Number	GAMA/ATA Code	Reference Designator
2617T100-29	21-52-00	E104
2617T100-29	21-61-01	E104
2617T100-29	21-61-02	E104
2617T100-31	21-21-00	E104
2617T100-31	21-52-00	E104
2617T100-31	21-61-01	E104
2617T100-31	21-61-02	E104
3-582307-1	33-10-03	P233
3-582307-1	33-10-03	P233
3059J-1-103M	27-31-04	R167
3059J-1-103M	27-31-04	R168
3089-01	33-13-00	XDS113
31.85 1.A	33-17-07	P839
31.85 1.A	33-17-07	P840
31.85 1.A	33-17-07	P841
31.85 1.A	33-17-07	P842
31.85 1.A	33-17-07	P843
31.85 1.A	33-17-07	P844
31.85 1.A	33-17-07	P845
31.85 1.A	33-17-07	P846
31.85 1.A	33-17-07	P847
31.85 1.A	33-17-07	P848
31.85 1.A	33-17-07	P849
31.85 1.A	33-17-07	P850
31.85 1.A	33-17-07	P851
31.85 1.A	33-17-07	P852
31.85 1.A	33-17-07	P853
31.85 1.A	33-17-07	P854
31.85 1.A	33-17-07	P855
31.85 1.A	33-17-07	P856
31.85 1.A	33-17-07	P857
31.85 1.A	33-17-07	P858
31.85 1.A	33-17-07	P859
31.85 1.A	33-17-07	P860
31.85 1.A	33-17-07	P861
31.85 1.A	33-17-07	P862
31.85 1.A	33-17-07	P863
31.85 1.A	33-17-07	P864
31.85 1.A	33-17-07	P865
31.85 1.A	33-17-07	P866
31.85 1.A	33-17-07	P867
31.85 1.A	33-17-07	P868
31.85 1.A	33-17-07	P869
31.85 1.A	33-17-07	P870
31.85 1.A	33-17-07	P871
31.85 1.A	33-17-07	P872
31.85 1.A	33-17-07	P873
31.85 1.A	33-17-07	P874
31.85 1.A	33-17-07	P875
31.85 1.A	33-17-07	P891
31.85 1.A	33-17-07	P933
31AT46-S	24-31-01	S153
31AT46-S	24-31-01	S153
31AT46-S	24-31-02	S154
34170-9-3051F	33-18-00	XDS139
350547-2	33-17-09	P1021
350547-2	33-17-09	P1024
350866-1	33-17-09	P1022

Part Number	GAMA/ATA Code	Reference Designator
350866-1	33-17-09	P1023
350866-1	33-17-09	P1025
350866-1	33-17-09	P1026
350866-1	33-17-09	P1028
350866-1	33-17-09	P1029
350866-1	33-17-09	P1030
350866-1	33-17-09	P1031
350866-1	33-17-10	P1035
350866-1	33-17-10	P1036
350866-1	33-17-10	P1038
350866-1	33-17-10	P1039
350866-1	33-17-10	P1041
350866-1	33-17-10	P1042
350866-1	33-17-11	P1044
350866-1	33-17-11	P1045
350866-1	33-17-11	P1048
350866-1	33-17-11	P1049
350866-1	33-17-11	P1052
350866-1	33-17-11	P1053
350866-1	33-17-11	P1056
350866-1	33-17-11	P1057
350866-1	33-17-12	P1060
350866-1	33-17-12	P1061
350866-1	33-17-12	P1064
350866-1	33-17-12	P1065
350866-1	33-17-12	P1068
350866-1	33-17-12	P1069
350866-1	33-17-12	P1072
350866-1	33-17-12	P1073
360010-1	61-23-00	P980
38-755-2	32-43-02	A201E2
38-755-2	32-43-02	A201E2
390FW05-2	27-50-03	S263
390FW05-2	27-50-04	S264
390FW05-6	27-50-03	S265
390FW05-6	27-50-04	S266
3967	24-51-01	XF106
3967	24-51-01	XF108
3967	24-51-01	XF114
3967	24-51-01	XF106
3967	24-51-01	XF108
3967	24-51-01	XF114
3967	24-51-01	XF106
3967	24-51-01	XF108
3967	24-51-01	XF114
3967	24-51-02	XF100
3967	24-51-02	XF102
3967	24-51-02	XF111
3967	24-51-02	XF112
3967	24-51-02	XF100
3967	24-51-02	XF102
3967	24-51-02	XF111
3967	24-51-02	XF112
3967	24-51-02	XF100
3967	24-51-02	XF102
3967	24-51-02	XF111
3967	24-51-02	XF112
3968	24-51-01	XF105
3968	24-51-01	XF107
3968	24-51-01	XF113
3968	24-51-01	XF105
3968	24-51-01	XF107

**Beechcraft**  
**STARSHIP 1**  
**WIRING DIAGRAM MANUAL**  
**PART NUMBER INDEX (CONTINUED)**

Part Number	GAMA/ATA Code	Reference Designator
3968	24-51-01	XF113
3968	24-51-01	XF105
3968	24-51-01	XF107
3968	24-51-01	XF113
3968	24-51-02	XF101
3968	24-51-02	XF103
3968	24-51-02	XF101
3968	24-51-02	XF103
402EN53-B	33-23-00	S206
402EN53-B	33-23-00	S207
402EN53-B	33-23-00	S209
402EN53-B	33-23-00	S210
402EN53-B	33-23-00	S211
402EN54-B	33-23-00	S205
405FW504-B	27-50-05	A178A1
405FW504-B	27-50-05	A178A2
405FW504-B	27-50-05	A178A3
405FW504-B	27-50-05	A178A4
4182271	33-44-00	DS106
4182271	33-44-00	DS107
42-871-1	32-43-01	A207
4270517	33-44-00	XDS106
4270517	33-44-00	XDS107
444EN49-6	32-31-02	S183
444EN49-6	32-31-03	S185
444EN49-6	32-51-00	S185
444EN49-6	32-61-00	S183
444EN49-6	32-61-00	S185
444EN49-6	61-23-00	S183
446054	26-12-00	P681
446054	26-12-00	P683
446054	26-12-00	P686
446055	26-12-00	P682
446055	26-12-00	P684
446055	26-12-00	P685
451116-162	28-21-02	A129J5
451116-162	28-21-02	A129J6
451116-162	32-61-00	A129J33
451116-162	32-61-00	A129J34
451116-371	24-31-01	XK108
451116-371	24-31-01	XK108
451116-371	24-31-02	XK109
451120-051	21-51-00	A129J32
451120-051	21-51-00	A129J32
451120-051	21-61-01	A129J15
451120-051	24-36-00	A129J35
451120-051	24-36-00	A129J36
451120-051	26-21-01	A129J16
451120-051	26-21-02	A129J18
451120-051	32-31-01	A129J26
451120-051	32-43-01	A129J11
451120-051	32-62-00	A129J23
451120-051	33-17-05	A129J25
451120-051	33-43-00	A129J31
451120-051	61-22-01	A129J10
451120-051	61-22-01	A129J9
451120-051	61-22-02	A129J7
451120-051	61-22-02	A129J8

Part Number	GAMA/ATA Code	Reference Designator
451120-051	61-23-00	A129J19
451120-051	61-23-00	A129J20
451120-051	61-23-00	A129J21
451120-051	74-11-01	A129J3
451120-051	74-11-01	A129J4
451120-051	74-11-02	A129J12
451120-051	74-11-02	A129J13
4587	33-44-00	DS108
4596	33-44-00	DS141
472184-04	26-12-00	E101
472189	26-12-00	E167A
472195	26-12-00	E155A
472195	26-12-00	E156A
472196	26-12-00	E156B
472196	26-12-00	E167B
472196	26-12-00	E167C
472196	26-12-00	E167D
472196	26-12-00	E167E
472197	26-12-00	E155B
472197	26-12-00	E155C
472197	26-12-00	E155D
472197	26-12-00	E155E
472197	26-12-00	E156C
472197	26-12-00	E156D
472197	26-12-00	E156E
472197	26-12-00	E156F
472197	26-12-00	E167F
472197	26-12-00	E167G
50-369101-205	24-54-01	W620
50-369101-205	24-54-01	W622
50-369101-205	24-54-01	W751
50-369101-205	24-54-01	W756
50-369101-205	24-54-02	W466
50-369101-205	24-54-02	W471
50-369101-205	24-54-02	W482
50-369101-205	24-54-05	W1016
50-369101-205	24-54-05	W722
50-369101-205	24-54-05	W790
50-369101-205	24-54-05	W791
50-369101-207	24-54-01	W461
50-369101-207	24-54-02	W463
50-369101-207	24-54-02	W472
50-369101-207	24-54-02	W473
50-369101-207	24-54-03	W503
50-369101-207	24-54-03	W503
50-369101-207	24-54-03	W503
50-369101-207	24-54-05	W720
50-369101-207	24-54-05	W721
50-369101-225	24-54-01	W623
50-369101-225	24-54-02	W469
50-369101-225	24-54-02	W477
50-369101-225	24-54-03	W505
50-369101-225	24-54-03	W505
50-369101-225	24-54-03	W505
50-369101-225	24-54-05	W792
50-369101-235	24-54-02	W474
50-369101-235	24-54-02	W480
50-380048-1	24-56-00	A128K2

**Beechcraft**  
**STARSHIP 1**  
**WIRING DIAGRAM MANUAL**  
**PART NUMBER INDEX (CONTINUED)**

Part Number	GAMA/ATA Code	Reference Designator
50-380048-1	24-56-00	A128K3
50-380048-1	27-31-03	K508
50-380048-1	30-31-00	K119
50-380048-1	30-31-00	K120
50-380048-1	30-81-00	K134
50-380048-1	30-81-00	K135
50-380048-1	30-81-00	K139
50-380048-1	30-81-00	K140
50-380048-1	30-82-00	K516
50-380048-1	30-82-00	K517
50-380048-1	30-82-00	K518
50-380048-1	32-43-02	A201K2
50-380048-1	33-10-06	A110K1
50-380048-1	33-10-06	A110K2
50-380048-1	33-10-06	A110K3
50-389057-1	61-42-00	MT112
50-389057-1	61-42-00	MT117
50-389057-1	77-12-00	MT115
50-389057-1	77-12-00	MT121
50-389121-15	79-33-00	S199
50-389121-15	79-33-00	S250
50-389121-29	61-22-01	S196
50-389121-29	61-22-02	S251
50-389121-31	61-22-01	S197
50-389121-31	61-22-02	S252
50-389121-31	74-11-01	S197
50-389121-31	74-11-02	S252
500-31A-1	38-20-00	E184
500-31AC	38-20-00	E184
500-31B	38-20-00	E184
51538-001B	24-31-01	VR101
51538-001B	24-31-02	VR102
582553-1	27-50-05	A178P1
582553-1	27-50-05	A178P2
582553-1	27-50-05	A178P3
582553-1	27-50-05	A178P4
60HQ100	24-33-00	A119CR1
60HQ100	24-33-00	A119CR2
60015BOM-8	21-51-00	A234S2
6041H220	24-56-00	A128K1
6041H220	24-56-00	A128K4
6041H279	24-41-00	K103
6041H279	24-41-01	K103
6041H80A	30-42-00	K102
6041H80A	30-43-00	K111
6041H80A	30-43-00	K112
60939-2	21-31-01	P411
60939-2	21-31-01	P412
60939-2	35-10-00	P582
60939-2	35-10-00	P583
62AT46-3	28-11-00	S141
62AT46-3	28-11-00	S142
62AT46-3	73-32-00	S141
62AT46-3	73-32-00	S142
62AT46-3	73-32-00	S141
62AT46-3	73-32-00	S142
6335-430	33-17-09	DS164
6335-430	33-17-09	DS165

Part Number	GAMA/ATA Code	Reference Designator
6335-430	33-17-10	DS167
6335-430	33-17-10	DS168
6335-430	33-17-10	DS169
6335-430	33-17-11	DS170
6335-430	33-17-11	DS171
6335-430	33-17-11	DS172
6335-430	33-17-11	DS173
6335-430	33-17-12	DS174
6335-430	33-17-12	DS175
6335-430	33-17-12	DS176
6335-430	33-17-12	DS177
6335-560	33-17-09	DS163
6335-750S	33-17-04	DS143-1
6335-750S	33-17-09	DS166
64AT46-3	30-21-01	S139
64AT46-3	30-21-02	S140
64AT59-514B	61-22-01	S147
66101-4	33-17-11	P1046B
66101-4	33-17-11	P1050B
66101-4	33-17-11	P1054B
66101-4	33-17-12	P1062B
66101-4	33-17-12	P1066B
66101-4	33-17-12	P1070B
66101-4	33-22-01	P1046B
66101-4	33-22-01	P1050B
66101-4	33-22-01	P1054B
66101-4	33-22-01	P1062B
66101-4	33-22-01	P1066B
66101-4	33-22-01	P1070B
66103-4	33-17-08	A237J1A
66103-4	33-17-08	A238J1A
66103-4	33-17-08	A239J1A
66103-4	33-17-08	A240J1A
66103-4	33-17-08	A241J1A
66103-4	33-17-08	A242J1A
66103-4	33-17-08	A243J1A
66103-4	33-17-08	A244J1A
66103-4	33-17-11	A227J1A
66103-4	33-17-11	A228J1A
66103-4	33-17-11	A229J1A
66103-4	33-17-12	A230J1A
66103-4	33-17-12	A231J1A
66103-4	33-17-12	A232J1A
66103-4	33-17-14	A227J1A
66103-4	33-17-14	A228J1A
66103-4	33-17-14	A229J1A
66103-4	33-17-14	A230J1A
66103-4	33-17-14	A231J1A
66103-4	33-17-14	A232J1A
66103-4	33-22-01	A227J1A
66103-4	33-22-01	A228J1A
66103-4	33-22-01	A229J1A
66103-4	33-22-01	A230J1A
66103-4	33-22-01	A231J1A
66103-4	33-22-01	A232J1A
66105-4	33-17-11	P1046A
66105-4	33-17-11	P1050A
66105-4	33-17-11	P1054A



**Beechcraft**  
**STARSHIP 1**  
**WIRING DIAGRAM MANUAL**  
**PART NUMBER INDEX (CONTINUED)**

Part Number	GAMA/ATA Code	Reference Designator
66105-4	33-17-12	P1062A
66105-4	33-17-12	P1066A
66105-4	33-17-12	P1070A
66105-4	33-22-01	P1046A
66105-4	33-22-01	P1050A
66105-4	33-22-01	P1054A
66105-4	33-22-01	P1062A
66105-4	33-22-01	P1066A
66105-4	33-22-01	P1070A
6635-360.2S	33-17-04	DS143-1
6635-360.2S	33-17-04	DS143-2
6635-360.2S	33-17-07	DS117
6635-360.2S	33-17-07	DS118
6635-360.2S	33-17-07	DS119
6635-360.2S	33-17-07	DS120
6635-360.2S	33-17-07	DS121
6635-360.2S	33-17-07	DS122
6635-360.2S	33-17-07	DS123
6635-360.2S	33-17-07	DS124
6635-360.2S	33-17-07	DS125
6635-360.2S	33-17-07	DS126
6635-360.2S	33-17-07	DS127
6635-360.2S	33-17-07	DS128
6635-360.2S	33-17-07	DS129
6635-360.2S	33-17-07	DS130
6635-360.2S	33-17-07	DS131
6635-360.2S	33-17-07	DS132
6635-360.2S	33-17-07	DS134
6635-360.2S	33-17-07	DS135
6635-360.2S	33-17-07	DS136
700-001-50	24-54-03	CB214
700-001-50	24-54-03	CB217
700-001-50	24-54-03	CB214
700-001-50	24-54-03	CB217
700-001-50	24-54-03	CB214
700-001-50	24-54-03	CB217
704-15K36	24-34-01	CR413
704-15K36	24-34-01	CR420
704-15K36	27-31-01	CR445
704-15K36	27-31-01	CR447
704-15K36	27-31-01	CR449
704-15K36	27-31-01	CR451
704-15K36	27-31-02	CR444
704-15K36	27-31-02	CR446
704-15K36	27-31-02	CR448
704-15K36	27-31-02	CR450
704-15K36	27-50-03	CR415
704-15K36	27-50-04	CR414
704-15K36	27-50-05	CR416
704-15K36	27-50-05	CR417
704-15K36	27-50-05	CR418
704-15K36	27-50-05	CR419
704-15K36	31-51-01	CR431
704-15K36	31-51-04	CR427
704-15K36	31-51-04	CR429
704-15K36	31-51-05	CR428
704-15K36	31-51-05	CR430
76251-10	30-81-00	R161

Part Number	GAMA/ATA Code	Reference Designator
76251-10	30-81-00	R162
76251-10	30-81-00	R163
76251-10	30-81-00	R164
7666	26-11-00	E130
7666	26-11-00	E202
85HF100	24-51-02	A167CR1
85HF100	24-51-02	A167CR2
85HF100	24-51-02	A167CR3
85HF100	24-51-02	A167CR1
85HF100	24-51-02	A167CR2
85HF100	24-51-02	A167CR3
8527-6041	21-51-00	E196
8527-6041	21-51-00	E196
872248	26-12-00	E155F
872248	26-12-00	E156G
87270-3	33-17-09	P1019
87270-3	33-17-10	P1032
8940K1251	33-17-01	A169S1
8940K1251	33-17-01	A169S2
8940K1251	33-17-01	A169S3
8940K1251	33-17-01	A169S4
8940K1251	33-17-15	A169S1
8940K1251	33-17-15	A169S2
8940K1251	33-17-15	A169S3
8940K1251	33-17-15	A169S4
90-364123-5	21-51-00	S246
90-364123-5	21-51-00	S246
90-384040	33-44-00	XDS108
90-384040	33-44-00	XDS141
906-8719	61-24-00	P1081
906-8719	61-24-00	P1082
95J1R0	27-31-01	R155
95J1R0	27-31-01	R157
95J1R0	27-31-01	R159
95J1R0	27-31-02	R156
95J1R0	27-31-02	R158
95J1R0	27-31-02	R160
95J1R0	27-50-01	R145
95J1R0	27-50-01	R145
95J1R0	27-50-03	R150
95J1R0	27-50-04	R148
95J1R0	31-51-01	R151
95J3R9	27-50-01	R146
95J3R9	27-50-01	R146
95J3R9	27-50-03	R149
95J3R9	27-50-04	R147
99-381045-1	73-32-00	HR108
99-381045-1	73-32-00	HR108
99-384045-1	73-32-00	HR109
99-384045-1	73-32-00	HR110
99-384045-1	73-32-00	HR111
99-384045-1	73-32-00	HR112
99-384045-1	73-32-00	HR113
99-384045-1	73-32-00	HR109
99-384045-1	73-32-00	HR110
99-384045-1	73-32-00	HR111
99-524043	73-30-00	S219
99-524043	73-30-00	S220

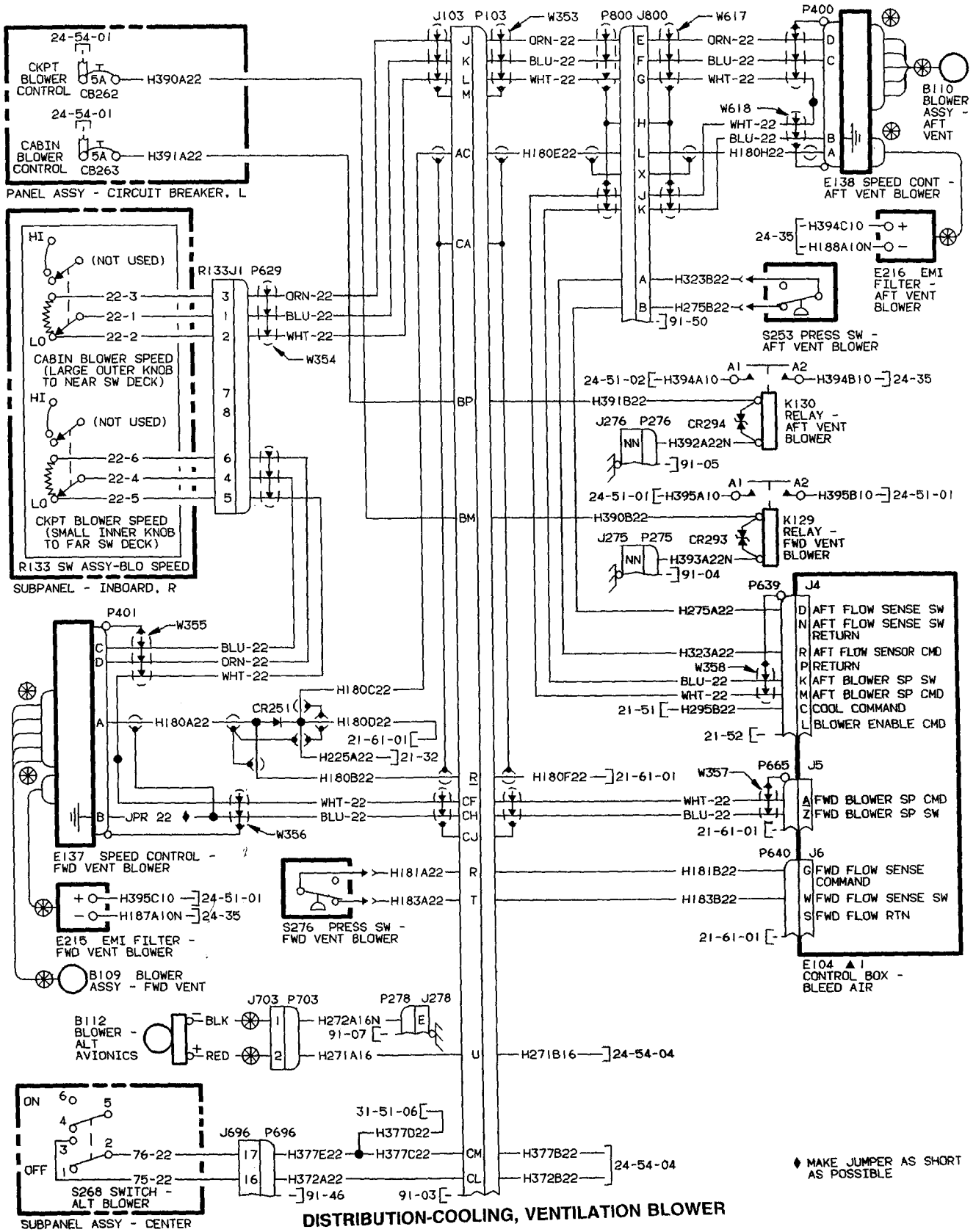
**Beechcraft**  
**STARSHIP 1**  
**WIRING DIAGRAM MANUAL**  
*LIST OF PAGES & TABLE OF CONTENTS*  
*for*  
**CHAPTER 21 - ENVIRONMENTAL SYSTEMS**

<b>SYS/SUB-SYS/ CHAP SECTION</b>	<b>PAGE NO.</b>	<b>EFFECTIVE DATE</b>	<b>TABLE OF CONTENTS</b>
<b>21-21-00</b>	Page 1	02/25/94	DISTRIBUTION-COOLING, VENTILATION BLOWER
	Page 2	02/25/94	
	Page 3	02/25/94	
<b>21-31-01</b>	Page 1	02/25/94	PRESSURIZATION CONTROL
	Page 2	02/25/94	
	Page 3	02/25/94	
<b>21-31-02</b>	Page 1	02/25/94	PRESSURIZATION CONTROL
	Page 2	02/25/94	
	Page 3	02/25/94	
<b>21-32-00 (Config 1)</b>	Page 1	02/25/94	PRESSURIZATION CONTROL-BLEED AIR VALVES
	Page 2	02/25/94	
	Page 3	02/25/94	
<b>21-32-00 (Config 2)</b>	Page 1	02/25/94	PRESSURIZATION CONTROL-BLEED AIR VALVES
	Page 2	02/25/94	
	Page 3	02/25/94	
<b>21-51-00 (Config 1)</b>	Page 1	02/25/94	COOLING-CABIN AIR CONDITIONING
	Page 2	02/25/94	
	Page 3	02/25/94	
	Page 4	02/25/94	
	Page 5	02/25/94	
<b>21-51-00 (Config 2)</b>	Page 1	02/25/94	COOLING-CABIN AIR CONDITIONING
	Page 2	02/25/94	
	Page 3	02/25/94	
	Page 4	02/25/94	
	Page 5	02/25/94	
<b>21-52-00</b>	Page 1	02/25/94	COOLING-INDICATION
	Page 2	02/25/94	
	Page 3	02/25/94	
	Page 4	02/25/94	
	Page 5	02/25/94	
<b>21-61-01</b>	Page 1	02/25/94	TEMPERATURE CONTROL
	Page 2	02/25/94	
	Page 3	02/25/94	
<b>21-61-02</b>	Page 1	02/25/94	TEMPERATURE CONTROL
	Page 2	02/25/94	
	Page 3	02/25/94	

Beechcraft  
STARSHIP 1  
WIRING DIAGRAM MANUAL

**21-21-00**

# Beechcraft STARSHIP 1 WIRING DIAGRAM MANUAL



**Beechcraft**  
**STARSHIP 1**  
**WIRING DIAGRAM MANUAL**

REFERENCE DESIGNATOR	PART NUMBER	DESCRIPTION	USABLE	
			INSTL ZONE	ON CODE
21-21-00				
B109	122-380035-5	BLOWER ASSY-FWD VENT	143	
B110	122-380035-5	BLOWER ASSY-AFT VENT	295	
B112	122-380024-5	BLOWER ASSY-ALTERNATE AVIONICS	221	
CB262	131984-5	CB-COCKPIT BLOWER CONTROL	236	
CB263	131984-5	CB-CABIN BLOWER CONTROL	236	
CR251	1N4007	DIODE	143	
CR293	100-361045-1	TRANSZORB ASSY	583	
CR294	100-361045-1	TRANSZORB ASSY	683	
E104	2617T100-29	CONTROL BOX-BLEED AIR	320	1
E104	2617T100-31	CONTROL BOX-BLEED AIR	320	2
E137	122-380036-11	SPEED CONTROL-FWD VENT BLOWER	143	
E138	122-380036-11	SPEED CONTROL-AFT VENT BLOWER	295	
E215	122-380036-7	EMI FILTER-FWD VENT BLOWER	143	3
E215	122-380036-13	SPARE FOR 122-380036-7	143	4
E216	122-380036-7	EMI FILTER-AFT VENT BLOWER	295	
J703	1-480699-0	RCPT-AVIONICS AUXILIARY BLOWER	221	
K129	109-381002-1	RELAY-FWD VENT BLOWER	583	
K130	109-381002-1	RELAY-AFT VENT BLOWER	683	
P400	MS3476L18-32S	PLUG-AFT VENT BLOWER SPEED CONTROL	295	
P401	MS3116F8-4S	PLUG-FWD VENT BLOWER SPEED CONTROL	143	
P629	205838-1	PLUG-BLOWER SPEED SW ASSY	243	
P639	MS3476L14-19S	PLUG-ENVIR CONTROL BOX,#4	320	
P640	MS3476L16-26SY	PLUG-ENVIR CONTROL BOX,#6	320	
P665	MS3476L16-26SW	PLUG-ENVIR CONTROL BOX,#5	320	
P703	1-480698-0	PLUG-ALTERNATE AVIONICS BLOWER	221	
R133	122-322173-9	SW ASSY-BLOWER SPEED	243	
R133J1	205841-2	RCPT	243	
S253	PSF100A-1.5	SW,PRESS-AFT VENT BLOWER	295	
S268	112-TW91-3	SW-ALTERNATE BLOWER	242	
S276	PSF100A-1.5	SW PRESS-FWD VENT BLOWER	221	
W353	M27500-22TE3T14	CABLE-3 CNDCT	172	
W354	M27500-22TE3T14	CABLE-3 CNDCT	243	
W355	M27500-22TE3R14	CABLE-3 CNDCT	143	
W356	M27500-22TE2T14	CABLE-2 CNDCT	143	
W357	M27500-22TE2T14	CABLE-2 CNDCT	320	
W358	M27500-22TE2T14	CABLE-2 CNDCT	320	
W617	M27500-22TE3T14	CABLE-3 CNDCT	295	
W618	M27500-22TE2T14	CABLE-2 CNDCT	295	

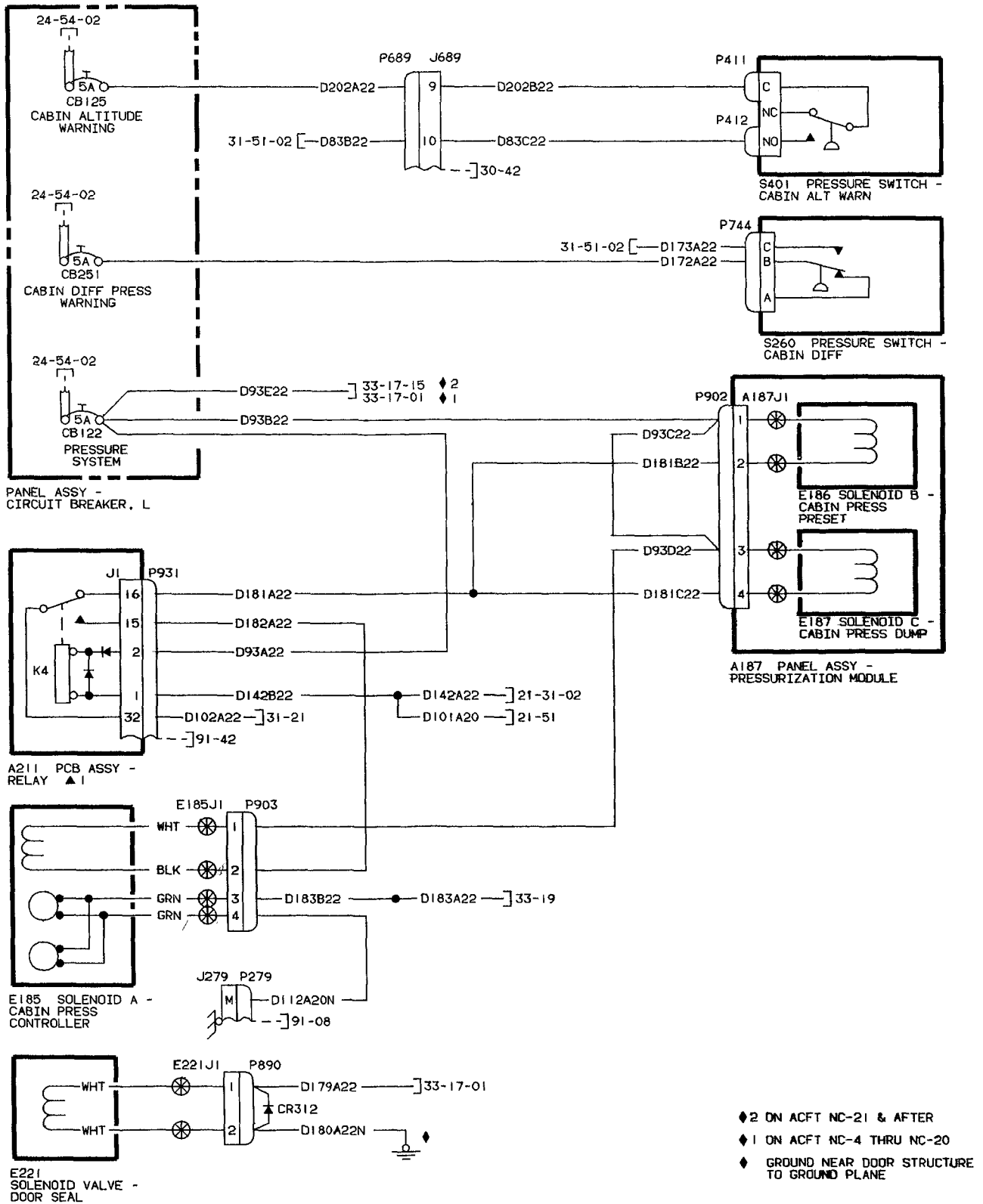
**EFFECTIVITY CODE**

1. NC-4 THRU NC-17
2. NC-18 & AFTER
3. NC-4 THRU NC-35
4. NC-36 & AFTER

**Beechcraft**  
**STARSHIP 1**  
**WIRING DIAGRAM MANUAL**

**21-31-01**

# Beechcraft STARSHIP 1 WIRING DIAGRAM MANUAL



## PRESSURIZATION CONTROL

**Beechcraft**  
**STARSHIP 1**  
**WIRING DIAGRAM MANUAL**

REFERENCE DESIGNATOR	PART NUMBER	DESCRIPTION	USABLE INSTL ON ZONE CODE
21-31-01			
A187	122-540081-1	PANEL ASSY-PRESSURE MODULE	133
A187J1	1-480703-0	RCPT-PRESSURE MODULE PANEL ASSY	133
A211K4	M39016/6-209L	RELAY	237
CB122	131984-5	CB-PRESSURE SYSTEM	236
CB125	131984-5	CB-CABIN ALTITUDE WARNING	236
CB251	131984-5	CB-CABIN DIFFERENTIAL PRESSURE WARNING	236
CR312	1N4007	DIODE	151
E185	130356-18	SOL A-CABIN PRESSURE CONTROL	256
E186	101-380021-1	SOL B-CABIN PRESSURE PRESET	133
E186	101-380021-5	ALTN FOR 101-380021-1	133
E187	101-380021-1	SOL C-CABIN PRESSURE DUMP	133
E187	101-380021-5	ALTN FOR 101-380021-1	133
E221	101-380018-7	SOL VALVE-DOOR SEAL	151
E221	101-380018-3	ALTN FOR 101-380018-7	151
E221J1	1-480703-0	RCPT-DOOR SEAL SOL VALVE	151
P411	60939-2	PLUG-CABIN ALTITUDE WARNING SW	143
P412	60939-2	PLUG-CABIN ALTITUDE WARNING SW	143
P744	MS3116F8-3S	PLUG-CABIN DIFFERENTIAL PRESSURE SW	222
P890	1-480698-0	PLUG	151
P902	1-480702-1	PLUG-CABIN PRESSURE CONTROL	133
P903	1-480703-0	PLUG	256
S260	122-382109-3	SW ASSY-CABIN DIFFERENTIAL PRESSURE	222
S401	101-384028-7	SW-CABIN ALTITUDE WARNING	143

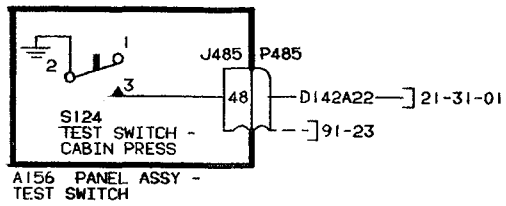
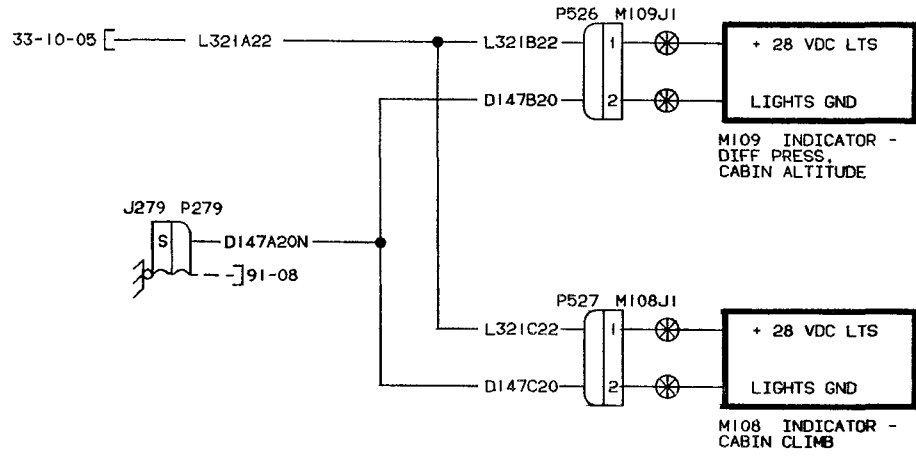
**EFFECTIVITY CODE**



**Beechcraft**  
**STARSHIP 1**  
**WIRING DIAGRAM MANUAL**

**21-31-02**

# Beechcraft STARSHIP 1 WIRING DIAGRAM MANUAL



## PRESSURIZATION CONTROL

Beechcraft  
**STARSHIP 1**  
**WIRING DIAGRAM MANUAL**

REFERENCE DESIGNATOR	PART NUMBER	DESCRIPTION	USABLE	
			INSTL	ON ZONE CODE
21-31-02				
M108	122-382147-3	IND-CABIN CLIMB		243
M109	122-382146-3	IND-CABIN ALTITUDE DIFFERENTIAL PRESSURE		243
P526	1-480699-0	PLUG-CABIN ALTITUDE DIFFERENTIAL PRESSURE SW		243
P527	1-480699-0	PLUG-CABIN CLIMB INDICATOR		243
S124	MB2011SW06BK	SW-CABIN PRESSURE TEST		244

**EFFECTIVITY CODE**

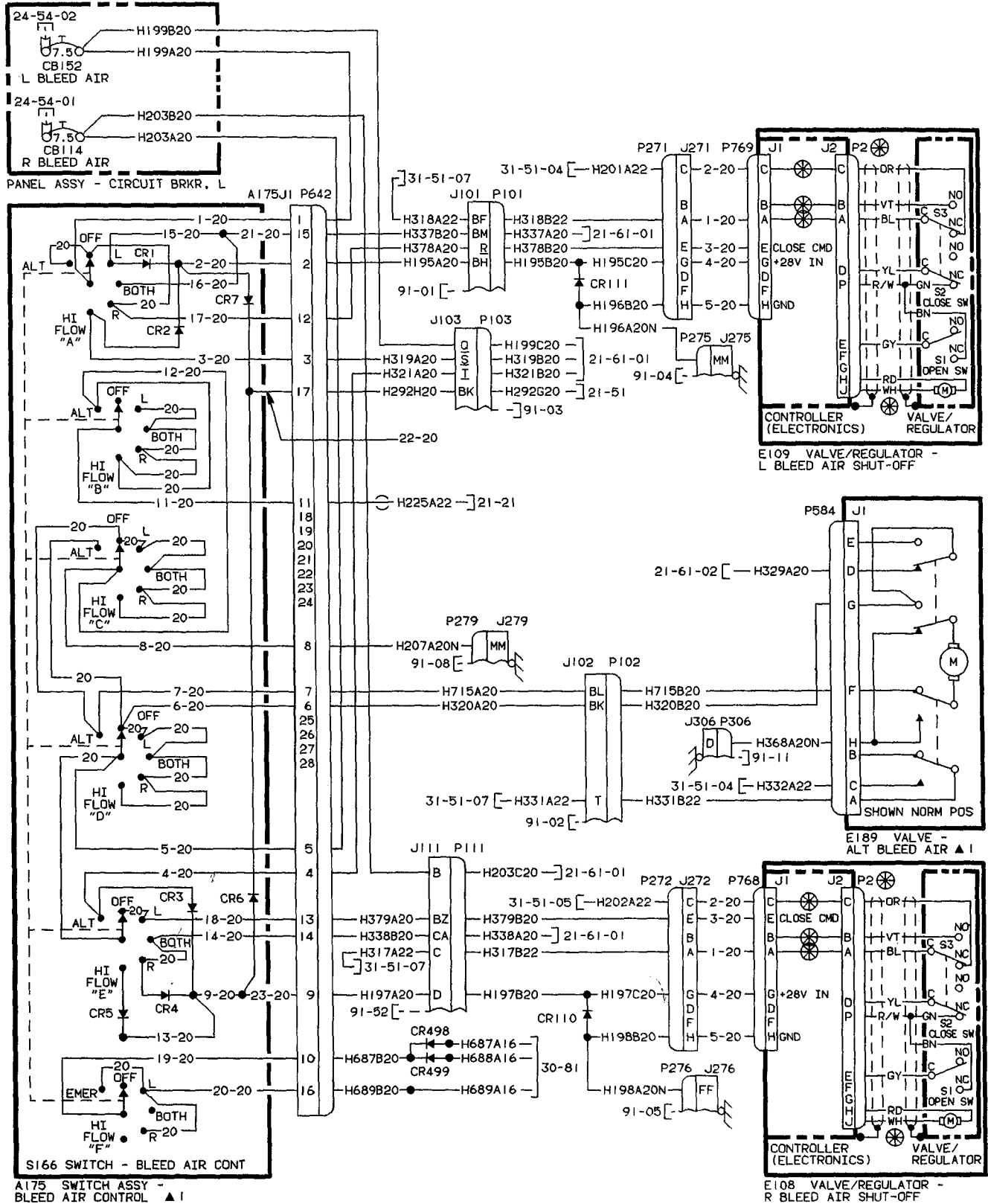
**Beechcraft**  
**STARSHIP 1**  
**WIRING DIAGRAM MANUAL**

# **21-32-00**

## **Configuration 1**

**NC-4 THRU NC-16**

# Beechcraft STARSHIP 1 WIRING DIAGRAM MANUAL



**PRESSURIZATION CONTROL-BLEED AIR VALVES  
(Configuration 1)**

**Beechcraft**  
**STARSHIP 1**  
**WIRING DIAGRAM MANUAL**

REFERENCE DESIGNATOR	PART NUMBER	DESCRIPTION	USABLE	
			INSTL ZONE	ON CODE
<b>21-32-00</b> <b>(Configuration 1 )</b>				
A175	122-322172-1	SW ASSY-BLEED AIR CONTROL	243	1
A175CR1	1N4007	DIODE	243	1
A175CR2	1N4007	DIODE	243	1
A175CR3	1N4007	DIODE	243	1
A175CR4	1N4007	DIODE	243	1
A175CR5	1N4007	DIODE	243	1
A175CR6	1N4007	DIODE	243	1
A175CR7	1N4007	DIODE	243	1
A175J1	206036-3	RCPT-BLEED AIR CONTROL SW ASSY	243	1
CB114	131984-7	CB-RIGHT BLEED AIR	236	1
CB152	131984-7	CB-LEFT BLEED AIR	236	1
CR110	1N4007	DIODE	683	1
CR111	1N4007	DIODE	583	1
CR498	MR510	DIODE	243	1
CR499	MR510	DIODE	243	1
E108	122-382066-25	SOL VALVE-RIGHT BLEED AIR	683	1
E109	122-382066-25	SOL VALVE-LEFT BLEED AIR	583	1
E189	122-382064-3	VALVE-ALT BLEED AIR	310	2
E189	122-382064-7	VALVE-ALT BLEED AIR	310	3
J271	MS3471L12-8P	RCPT-LEFT BLEED AIR SOV	583	1
J272	MS3471L12-8P	RCPT-RIGHT BLEED AIR SOV	683	1
P271	MS3476L12-8S	PLUG-LEFT BLEED AIR SOV	583	1
P272	MS3476L12-8S	PLUG-RIGHT BLEED AIR SOV	683	1
P584	MS3476L12-8S	PLUG-ALTERNATE BLEED AIR VALVE	310	1
P642	206037-1	PLUG-BLEED AIR CONTROL SW ASSY	243	1
P768	MS3476L12-8S	PLUG-RIGHT BLEED AIR SOV	683	1
P769	MS3476L12-8S	PLUG-LEFT BLEED AIR SOV	583	1
S166	122-382076-9	SW-BLEED AIR CONTROL	243	1

**EFFECTIVITY CODE**

1. NC-4 THRU NC-16
2. NC-4 THRU NC-12
3. NC-13 THRU NC-16

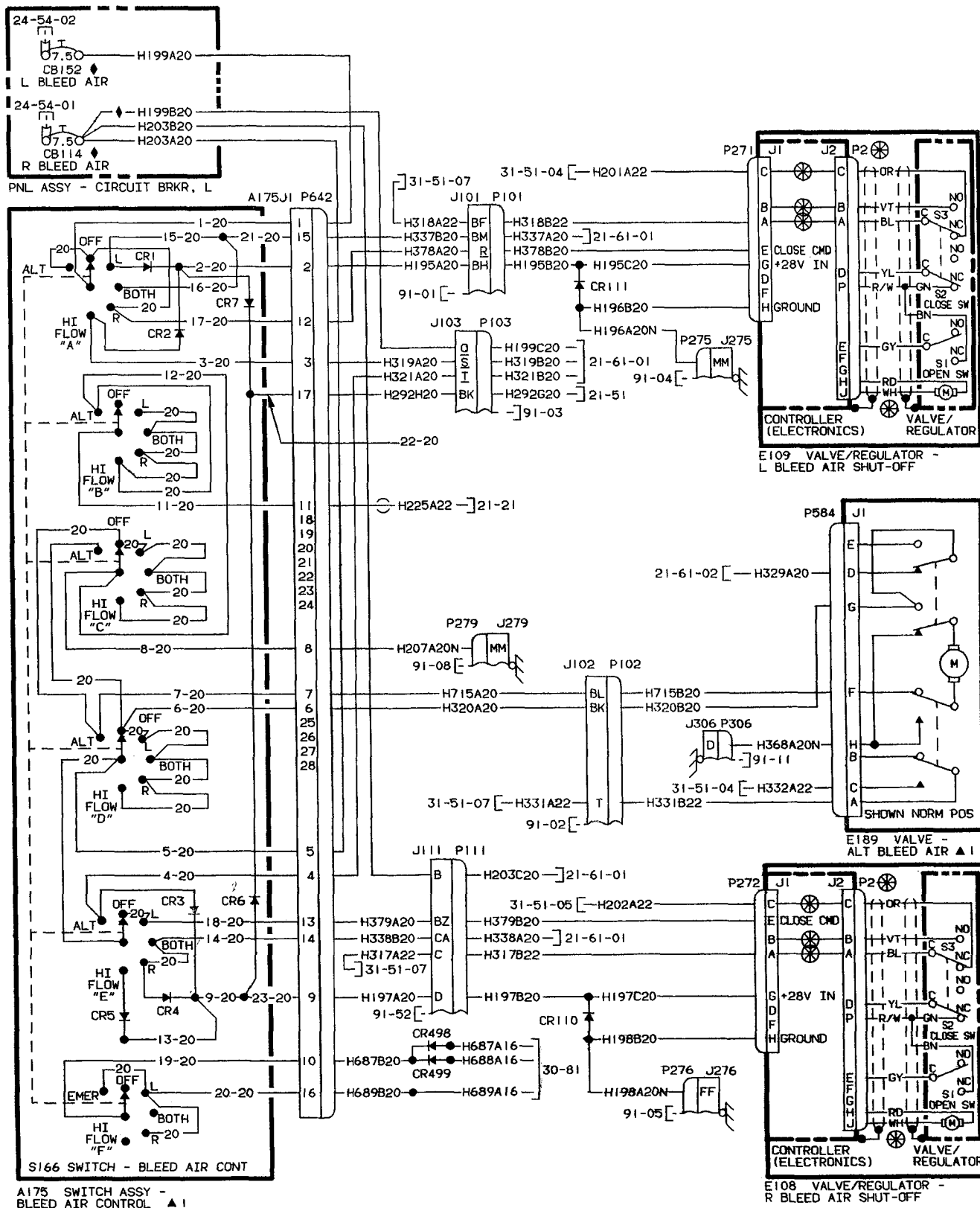
**Beechcraft**  
**STARSHIP 1**  
**WIRING DIAGRAM MANUAL**

# **21-32-00**

## **Configuration 2**

**NC-17 & AFTER**

# Beechcraft STARSHIP 1 WIRING DIAGRAM MANUAL



**PRESSURIZATION CONTROL-BLEED AIR VALVES  
(Configuration 2)**

A175 SWITCH ASSY - BLEED AIR CONTROL ▲ 1  
 ♦ ON AIRCRAFT NC-17 THRU NC-42 WIRE H199B20 IS TERMINATED TO CB152 L BLEED AIR INSTEAD OF CB114 RIGHT BLEED AIR.



**Beechcraft**  
**STARSHIP 1**  
**WIRING DIAGRAM MANUAL**

REFERENCE DESIGNATOR	PART NUMBER	DESCRIPTION	USABLE	
			INSTL ZONE	ON CODE
21-32-00 (Configuration 2 )				
A175	122-322172-1	SW ASSY-BLEED AIR CONTROL	243	1
A175CR1	1N4007	DIODE	243	1
A175CR2	1N4007	DIODE	243	1
A175CR3	1N4007	DIODE	243	1
A175CR4	1N4007	DIODE	243	1
A175CR5	1N4007	DIODE	243	1
A175CR6	1N4007	DIODE	243	1
A175CR7	1N4007	DIODE	243	1
A175J1	206036-3	RCPT-BLEED AIR CONTROL SW ASSY	243	1
CB114	131984-7	CB-RIGHT BLEED AIR	236	1
CB152	131984-7	CB-LEFT BLEED AIR	236	1
CR110	1N4007	DIODE	683	1
CR111	1N4007	DIODE	583	1
CR498	MR510	DIODE	243	1
CR499	MR510	DIODE	243	1
E108	122-382066-25	SOL VALVE-RIGHT BLEED AIR	683	1
E109	122-382066-25	SOL VALVE-LEFT BLEED AIR	583	1
E189	122-382064-7	VALVE-ALT BLEED AIR	310	1
P271	MS3476L12-8S	PLUG-LEFT BLEED AIR SOV	583	1
P272	MS3476L12-8S	PLUG-RIGHT BLEED AIR SOV	683	1
P584	MS3476L12-8S	PLUG-ALTERNATE BLEED AIR VALVE	310	1
P642	206037-1	PLUG-BLEED AIR CONTROL SW ASSY	243	1
S166	122-382076-9	SW-BLEED AIR CONTROL	243	1

**EFFECTIVITY CODE**

1. NC-17 & AFTER

**Beechcraft**  
**STARSHIP 1**  
**WIRING DIAGRAM MANUAL**

# **21-51-00**

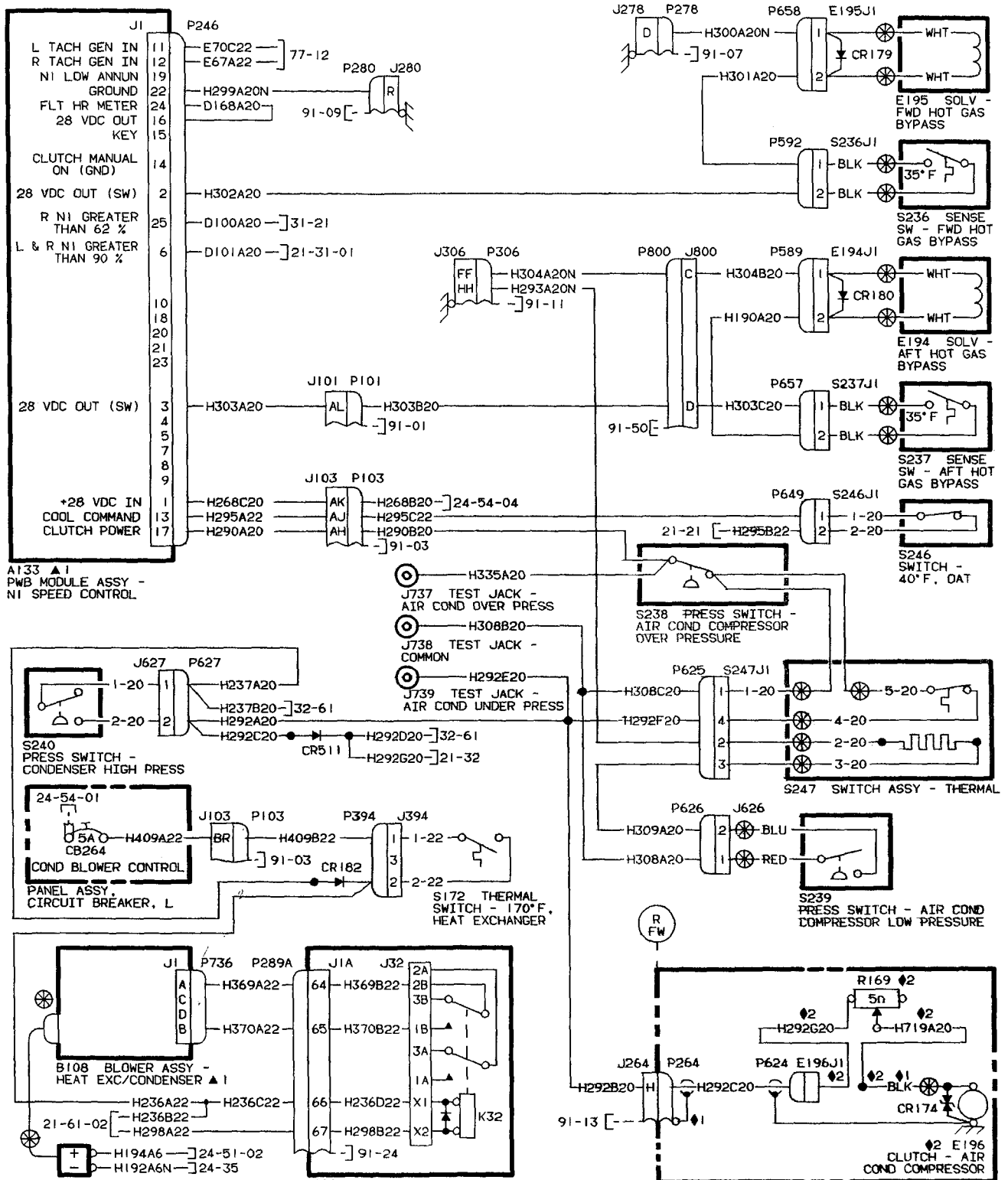
## **Configuration 1**

**NC-4 THRU NC-40**

# Beechcraft

## STARSHIP 1

### WIRING DIAGRAM MANUAL



A133 ▲ 1  
PWB MODULE ASSY -  
NI SPEED CONTROL

J627 P627  
S240 PRESS SWITCH -  
CONDENSER HIGH PRESS

24-54-01  
5A CB264  
COND BLOWER CONTROL  
PANEL ASSY.  
CIRCUIT BREAKER, L

J1 P736 P289A  
B108 BLOWER ASSY -  
HEAT EXC/CONDENSER ▲ 1

J1A J32  
A129 ▲ 1  
PANEL ASSY - AFT RELAY

R FW  
E196 CLUTCH - AIR  
COND COMPRESSOR

- ◆ 1 BLK WIRE & SHIELD TERMINATION SHALL BE SHORT AS POSSIBLE, AND NOT TO EXCEED 3 INCHES.
- ◆ SYSTEM SHOWN WITH ACFT ON GROUND. AIR CONDITIONING SYSTEM PROPERLY CHARGED, & THE ELECTRICAL SYSTEM OFF.

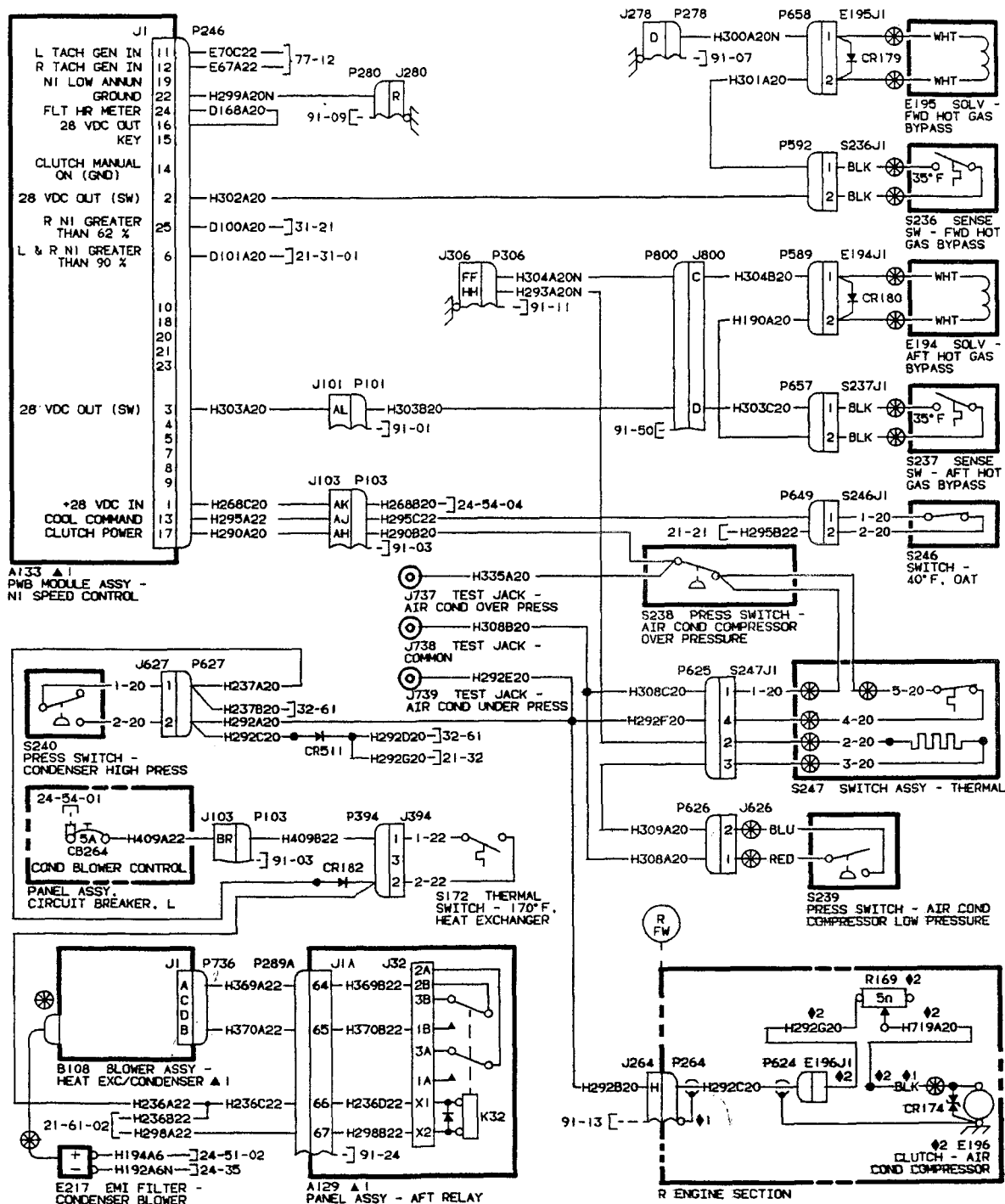
◆ 2 ON ACFT NC-4 THRU NC-16 & NC-30 THRU NC-40.  
BLK WIRE FROM E196 24VDC CLUTCH TERMINATES IN E196J1 CONN.  
ON ACFT NC-17 THRU NC-29, BLK WIRE SPLICES TO H719A20. R169 IS USED  
WITH E196 12VDC CLUTCH, AND H292G20 TERMINATES IN E196J1 CONN.

### COOLING-CABIN AIR CONDITIONING (Configuration 1)

**Beechcraft**  
**STARSHIP 1**  
**WIRING DIAGRAM MANUAL**

REFERENCE DESIGNATOR	PART NUMBER	DESCRIPTION	USABLE	
			INSTL ZONE	ON CODE
21-51-00 (Configuration 1 )				
A129	122-364131-19	PANEL ASSY-AFT RELAY	320	1
A129J32	451120-051	RCPT-RELAY	320	1
A129K32	M6106/27-023	RELAY	320	1
A133	122-364054-13	MODULE ASSY-N1 SPEED CONTROL PWB	237	1
B108	122-380020-11	BLOWER ASSY-HEAT EXCHANGER/CONDENSER	310	2
B108	122-380020-13	SPARE FOR 122-380020-11	310	3
B108J1	MS3112E8-4P	RCPT-HEAT EXCHANGER/CONDENSER BLOWER ASSY	310	1
CB264	131984-5	CB-CONDENSER BLOWER CONTROL	236	1
CR174	1.5KE51CA	TRANSZORB	421	1
CR179	1N4007	DIODE	132	1
CR180	1N4007	DIODE	295	1
CR182	1N4007	DIODE	310	1
CR511	1N4007	DIODE	310	1
E194	101-380019-3	VALVE-AFT HOT GAS BYPASS	295	1
E194J1	1-480699-0	RCPT	295	1
E195	101-380019-3	VALVE-FWD HOT GAS BYPASS	132	1
E195J1	1-480699-0	RCPT	132	1
E196	OW-5A-2G (24V)	CLUTCH-AIR CONDITIONER	421	4
E196	OW-5A-2G (12V)	CLUTCH-AIR CONDITIONER	421	5
E196	8527-6041	CLUTCH-AIR CONDITIONER	421	6
E196J1	1-480351-0	RCPT-AIR CONDITIONER CLUTCH	421	1
E217	122-380020-7	EMI FILTER-CONDENSER BLOWER	320	1
J394	207359-1	RCPT-170 DEG F HEAT EXCHANGER	310	1
J626	207359-1	RCPT-AIR CONDITIONER LOW PRESSURE SW	661	1
J627	1-480699-0	RCPT-CONDENSER HIGH PRESSURE SW	310	1
J737	202-102 (RED)	TEST JACK-AC OVER PRESSURE	310	1
J738	202-103 (BLK)	TEST JACK-COMMON	310	1
J739	202-102 (RED)	TEST JACK-AC UNDER PRESSURE	310	1
P246	130106BSM-25S	PLUG-N1 PWB	237	1
P394	207360-1	PLUG-170 DEG F HEAT EXCHANGER	310	1
P589	1-480698-0	PLUG-AFT HOT GAS BYPASS VALVE	295	1
P592	207360-1	PLUG-FWD HOT GAS BYPASS SW	132	1
P624	1-480349-0	PLUG-AIR CONDITIONER CLUTCH	421	1
P625	207571-1	PLUG-THERMAL SW ASSY	330	1
P626	1-480698-0	PLUG-AIR CONDITIONER LOW PRESSURE SW	661	1
P627	1-480698-0	RCPT-CONDENSER HIGH PRESSURE SW	310	1
P649	207360-1	PLUG-40 DEGREES F OAT SW	330	1
P657	207360-1	PLUG-AFT HOT GAS BYPASS SENSE	295	1
P658	1-480698-0	PLUG-AFT HOT GAS BYPASS VALVE	132	1
P736	MS3116F8-4S	PLUG-HEAT EXCHANGER/CONDENSER BLOWER ASSY	310	1
R169	0956	RESISTOR	421	5
S172	122-550134-3	SW-170 DEG F HEAT EXCHANGER	310	1
S236	20425L97-840-759	SW-FWD HOT GAS BYPASS SENSE	132	1
S237	20425L97-840-759	SW-AFT HOT GAS BYPASS SENSE	295	1
S238	114-555067-3	SW-AIR CONDENSER COMPRESSOR OVER PRESSURE	330	1
S239	122-380018-3	SW-AIR CONDITIONER COMPRESSOR LOW PRESSURE	661	1
S240	20PS001BA300K220K	SW-CONDENSER HIGH PRESSURE	310	1
S246	90-364123-5	SW-40 DEGREES F OAT	330	1

# Beechcraft STARSHIP 1 WIRING DIAGRAM MANUAL



❖ 1 BLK WIRE & SHIELD TERMINATION SHALL BE SHORT AS POSSIBLE, AND NOT TO EXCEED 3 INCHES.

❖ SYSTEM SHOWN WITH ACFT ON GROUND, AIR CONDITIONING SYSTEM PROPERLY CHARGED, & THE ELECTRICAL SYSTEM OFF.

❖ 2 ON ACFT NC-4 THRU NC-16 & NC-30 THRU NC-40; BLK WIRE FROM E196 24VDC CLUTCH TERMINATES IN E196J1 CONN. ON ACFT NC-17 THRU NC-29; BLK WIRE SPLICES TO H719A20, R169 IS USED WITH E196 12VDC CLUTCH, AND H292G20 TERMINATES IN E196J1 CONN.

## COOLING-CABIN AIR CONDITIONING (Configuration 1)

Beechcraft  
**STARSHIP 1**  
**WIRING DIAGRAM MANUAL**

REFERENCE DESIGNATOR	PART NUMBER	DESCRIPTION	USABLE	
			INSTL ZONE	ON CODE
21-51-00 (Configuration 1 )				
S247	114-555062-3	SW ASSY-THERMAL	330	1
S247J1	207569-1	RCPT-THERMAL SWITCH ASSY	330	1

**EFFECTIVITY CODE**

1. NC-4 THRU NC-40
2. NC-4 THRU NC-39
3. NC-40 ONLY
4. NC-4 THRU NC-16
5. NC-17 THRU NC-29
6. NC-30 THRU NC-40

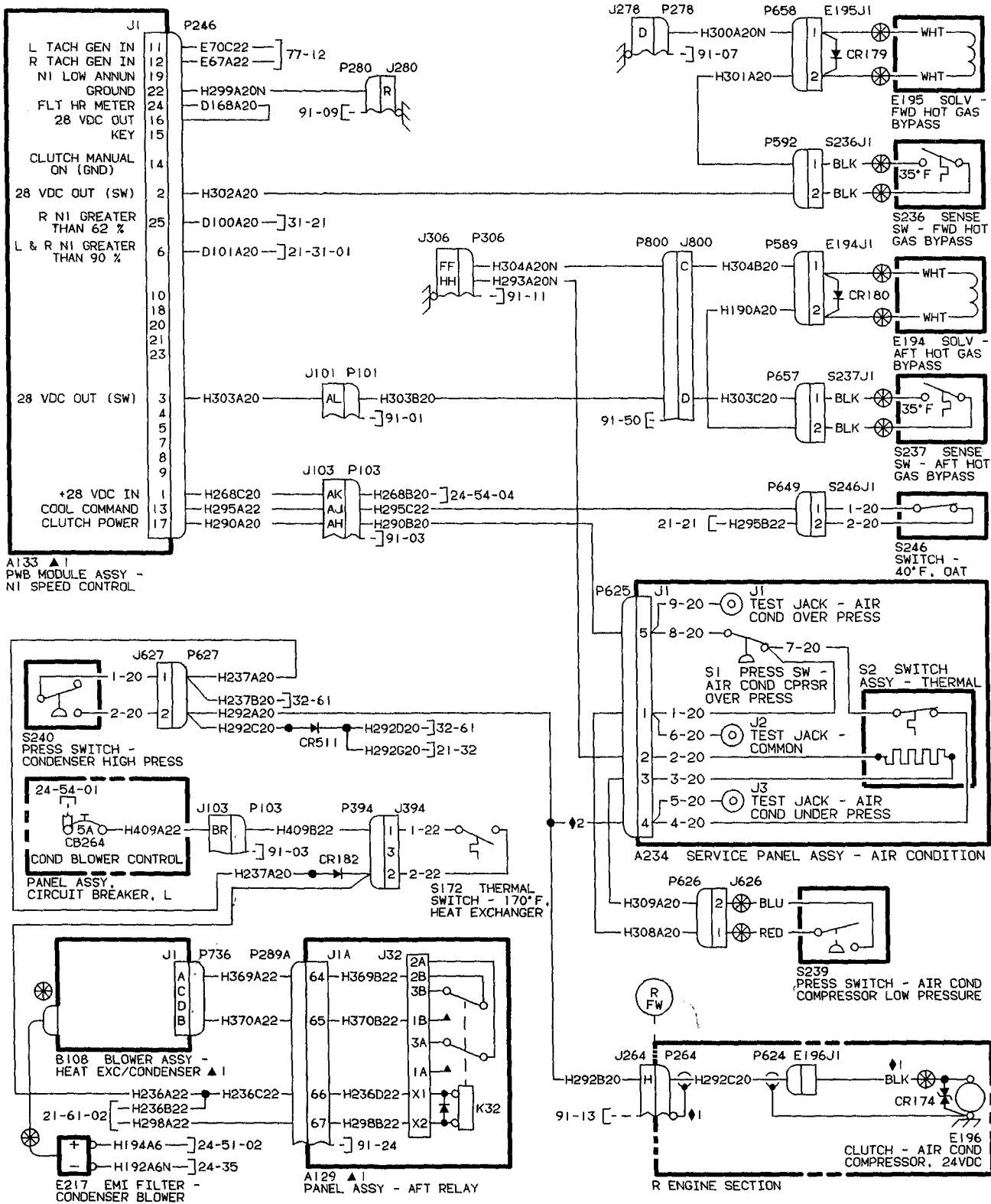
**Beechcraft**  
**STARSHIP 1**  
**WIRING DIAGRAM MANUAL**

# **21-51-00**

## **Configuration 2**

**NC-41 & AFTER**

# Beechcraft STARSHIP 1 WIRING DIAGRAM MANUAL



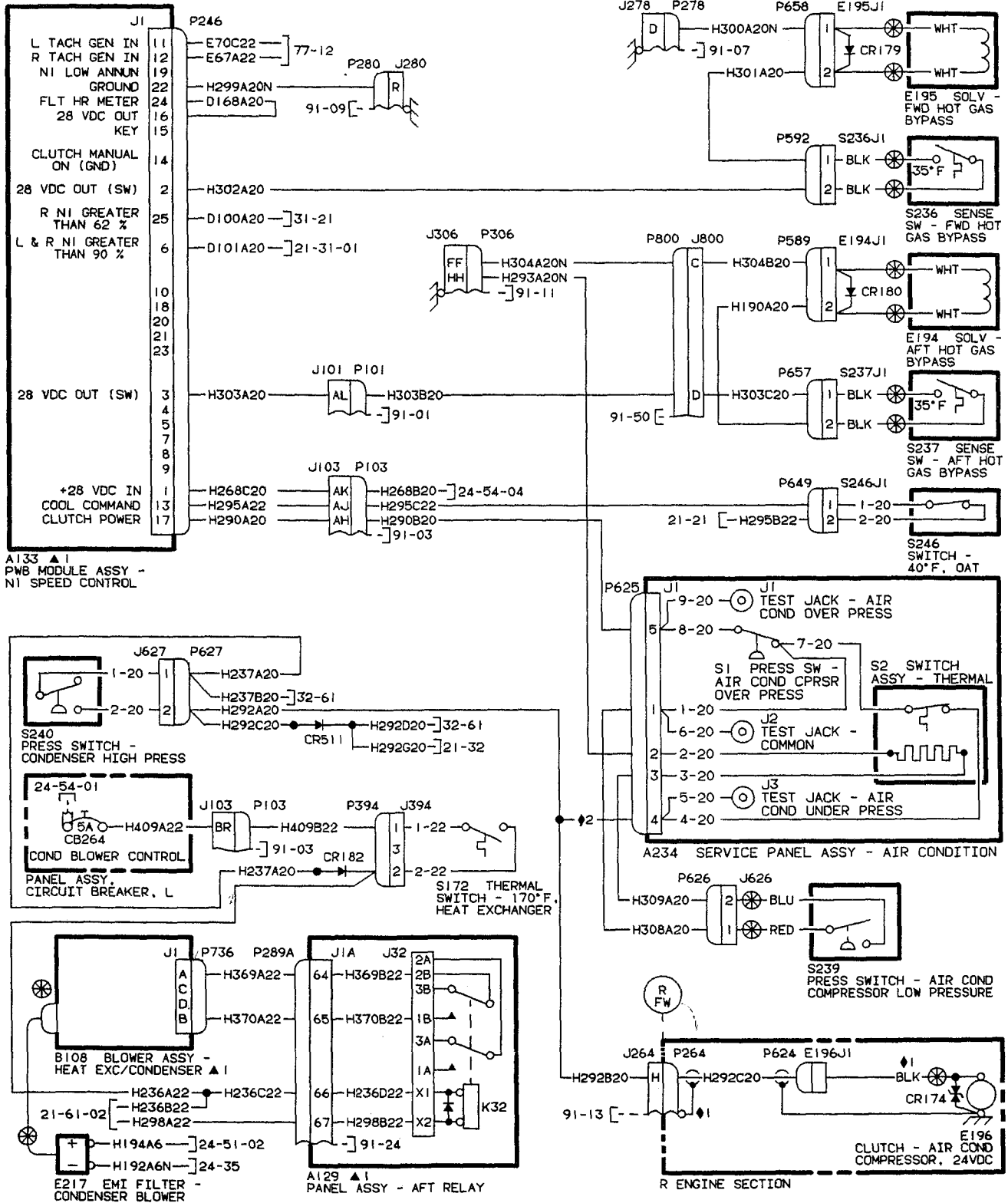
## COOLING-CABIN AIR CONDITIONING (Configuration 2)



**Beechcraft**  
**STARSHIP 1**  
**WIRING DIAGRAM MANUAL**

REFERENCE DESIGNATOR	PART NUMBER	DESCRIPTION	USABLE	
			INSTL ZONE	ON CODE
21-51-00 (Configuration 2 )				
A129	122-364131-19	PANEL ASSY-AFT RELAY	320	1
A129J32	451120-051	RCPT-RELAY	320	1
A129K32	M6106/27-023	RELAY	320	1
A133	122-364054-13	MODULE ASSY-N1 SPEED CONTROL PWB	237	1
A234	122-364218	PANEL ASSY-AIR CONDITIONER SERVICE	330	1
A234J1	207153-1	RCPT-AIR CONDITIONER SERVICE PANEL	330	1
A234J1	202-102 (RED)	TEST JACK-AC OVER PRESSURE	330	1
A234J2	202-103 (BLK)	TEST JACK-COMMON	330	1
A234J3	202-102 (RED)	TEST JACK-AC UNDER PRESSURE	330	1
A234S1	114-555067-3	SW-AIR CONDITIONER COMPRESSOR OVER PRESSURE	330	1
A234S2	60015BOM-8	SW ASSY-THERMAL	330	1
B108	122-380020-13	SPARE FOR 122-380020-11	310	1
B108J1	MS3112E8-4P	RCPT-HEAT EXCHANGER/CONDENSER BLOWER ASSY	310	1
CB264	131984-5	CB-CONDENSER BLOWER CONTROL	236	1
CR174	1.5KE51CA	TRANSZORB	421	1
CR179	1N4007	DIODE	132	1
CR180	1N4007	DIODE	295	1
CR182	1N4007	DIODE	310	1
CR511	1N4007	DIODE	310	1
E194	101-380019-3	VALVE-AFT HOT GAS BYPASS	295	1
E194J1	1-480699-0	RCPT	295	1
E195	101-380019-3	VALVE-FWD HOT GAS BYPASS	132	1
E195J1	1-480699-0	RCPT	132	1
E196	8527-6041	CLUTCH-AIR CONDITIONER	421	1
E196J1	1-480351-0	RCPT-AIR CONDITIONER CLUTCH	421	1
E217	122-380020-7	EMI FILTER-CONDENSER BLOWER	320	1
J394	207359-1	RCPT-170 DEG F HEAT EXCHANGER	310	1
J626	207359-1	RCPT-AIR CONDITIONER LOW PRESSURE SW	661	1
J627	1-480699-0	RCPT-CONDENSER HIGH PRESSURE SW	310	1
P246	130106BSM-25S	PLUG-N1 PWB	237	1
P394	207360-1	PLUG-170 DEG F HEAT EXCHANGER	310	1
P589	1-480698-0	PLUG-AFT HOT GAS BYPASS VALVE	295	1
P592	207360-1	PLUG-FWD HOT GAS BYPASS SW	132	1
P624	1-480349-0	PLUG-AIR CONDITIONER CLUTCH	421	1
P626	1-480698-0	PLUG-AIR CONDITIONER LOW PRESSURE SW	661	1
P627	1-480698-0	RCPT-CONDENSER HIGH PRESSURE SW	310	1
P649	207360-1	PLUG-40 DEGREES F OAT SW	330	1
P657	207360-1	PLUG-AFT HOT GAS BYPASS SENSE	295	1
P658	1-480698-0	PLUG-AFT HOT GAS BYPASS VALVE	132	1
P736	MS3116F8-4S	PLUG-HEAT EXCHANGER/CONDENSER BLOWER ASSY	310	1
S172	122-550134-3	SW-170 DEG F HEAT EXCHANGER	310	1
S236	20425L97-840-759	SW-FWD HOT GAS BYPASS SENSE	132	1
S237	20425L97-840-759	SW-AFT HOT GAS BYPASS SENSE	295	1
S239	122-380018-3	SW-AIR CONDITIONER COMPRESSOR LOW PRESSURE	661	1
S240	20PS001BA300K220K	SW-CONDENSER HIGH PRESSURE	310	1

# Beechcraft STARSHIP 1 WIRING DIAGRAM MANUAL



## COOLING-CABIN AIR CONDITIONING (Configuration 2)

**Beechcraft**  
**STARSHIP 1**  
**WIRING DIAGRAM MANUAL**

REFERENCE DESIGNATOR	PART NUMBER	DESCRIPTION	USABLE INSTL ON ZONE CODE
		21-51-00 (Configuration 2 )	
S246	90-364123-5	SW-40 DEGREES F OAT	330 1

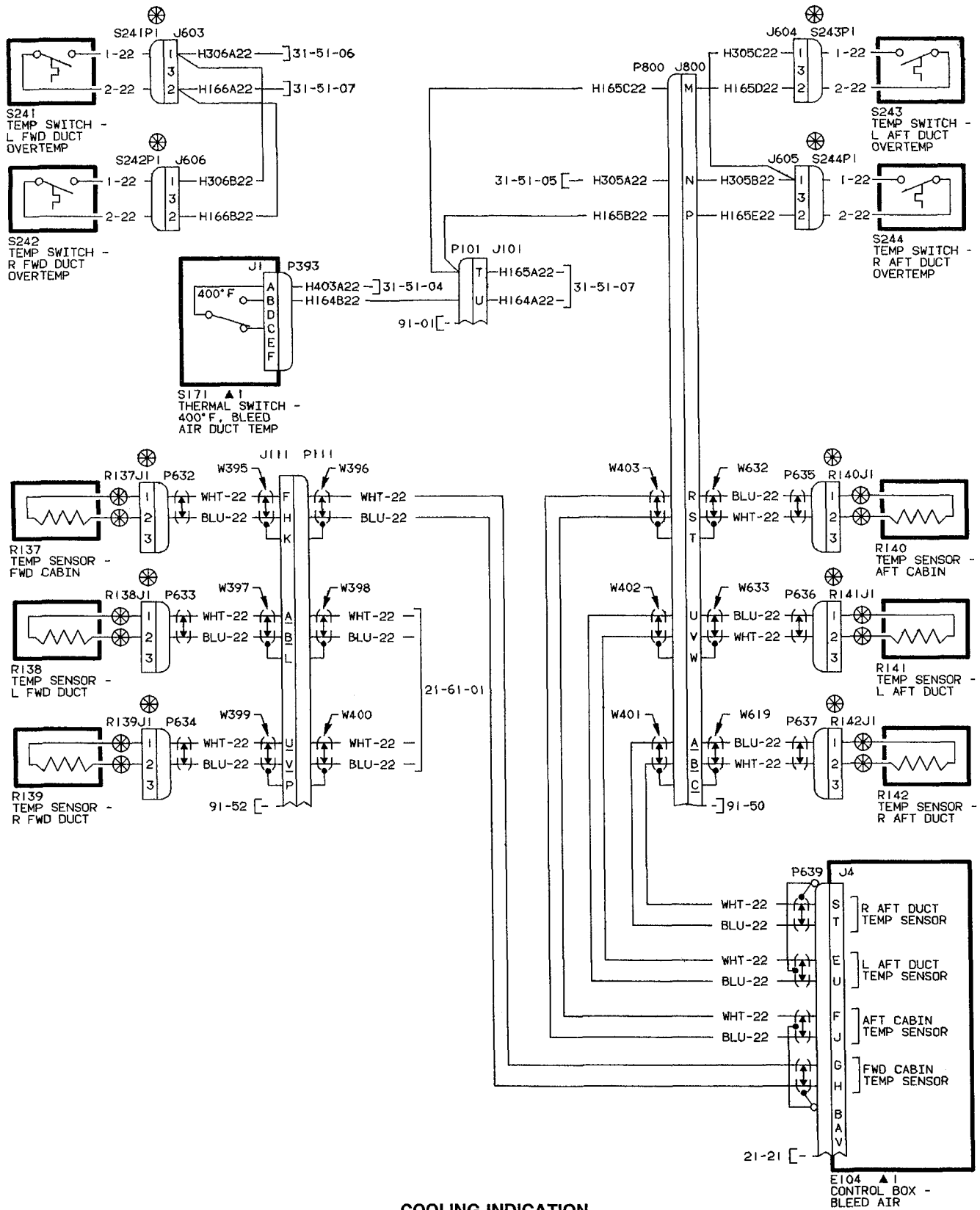
**EFFECTIVITY CODE**

1. NC-41 & AFTER

Beechcraft  
STARSHIP 1  
WIRING DIAGRAM MANUAL

**21-52-00**

# Beechcraft STARSHIP 1 WIRING DIAGRAM MANUAL

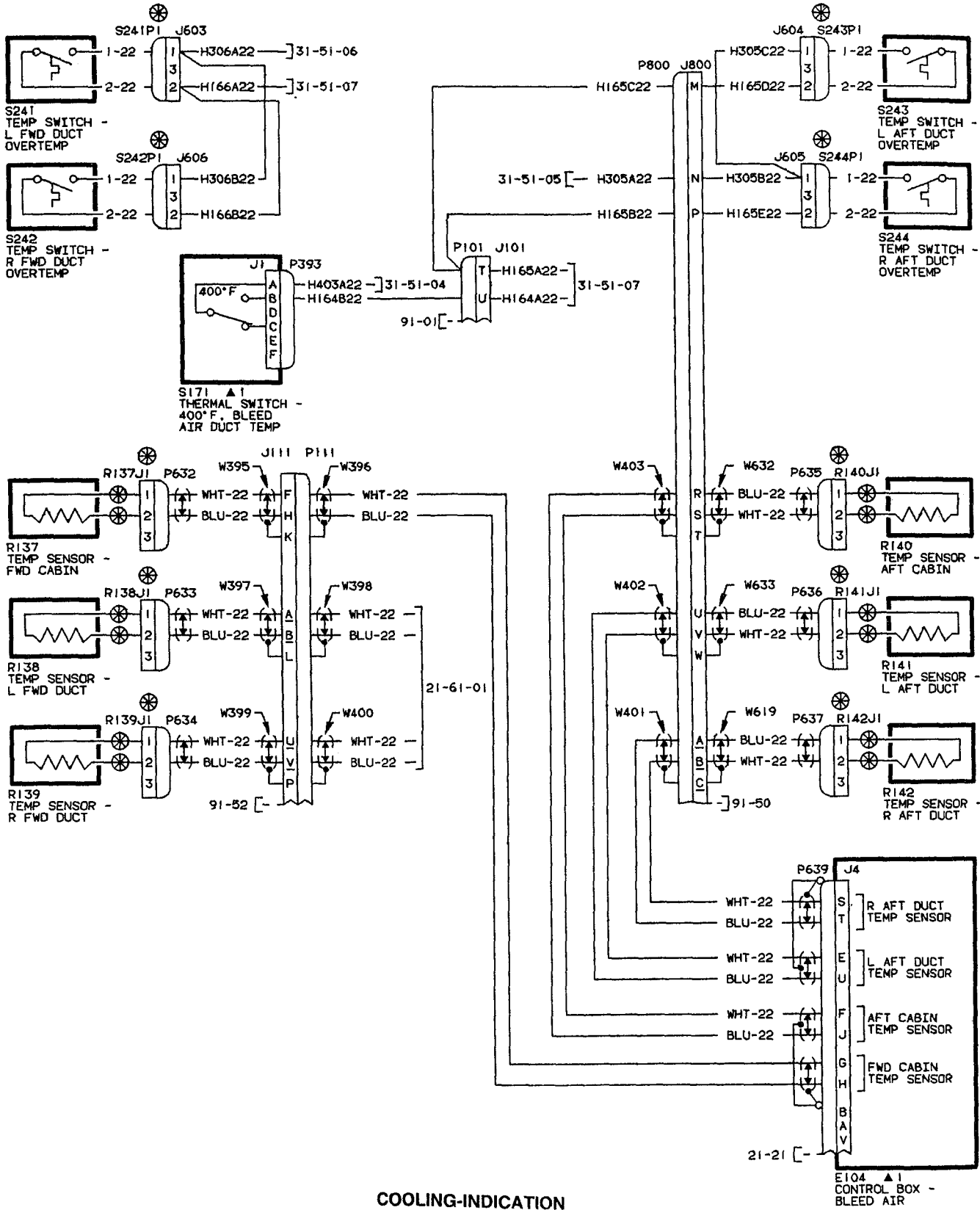


**COOLING-INDICATION**

**Beechcraft**  
**STARSHIP 1**  
**WIRING DIAGRAM MANUAL**

REFERENCE DESIGNATOR	PART NUMBER	DESCRIPTION	USABLE	
			INSTL ZONE	ON CODE
<b>21-52-00</b>				
E104	2617T100-29	CONTROL BOX-BLEED AIR	320	1
E104	2617T100-31	CONTROL BOX-BLEED AIR	320	2
J603	207359-1	RCPT-LEFT FWD DUCT OVTEMP SW	221	
J604	207359-1	RCPT-R AFT DUCT OVTEMP SW	292	
J605	207359-1	RCPT-R AFT DUCT OVTEMP SW	291	
J606	207359-1	RCPT-R AFT DUCT OVTEMP SW	222	
P393	MS3476L10-6S	PLUG-400 F BLEED AIR DUCT	310	
P632	207360-1	PLUG-L FWD CAB TEMP SENSOR	161	
P633	207360-1	PLUG-L FWD DUCT TEMP SENSOR	221	
P634	207360-1	PLUG-R FWD DUCT TEMP SENSOR	222	
P635	207360-1	PLUG-AFT CABIN TEMP SENSOR	291	
P636	207360-1	PLUG-L AFT DUCT TEMP SENSOR	292	
P637	207360-1	PLUG-R AFT DUCT TEMP SENSOR	291	
P639	MS3476L14-19S	PLUG-ENVIR CONTROL BOX,#4	320	
R137	122-550133-5	XDCR ASSY-L FWD CABIN TEMP	161	
R137J1	207359-1	RCPT	161	
R138	122-550133-5	XDCR ASSY-L FWD DUCT TEMP	221	
R138J1	207359-1	RCPT	221	
R139	122-550133-5	XDCR ASSY-R FWD DUCT TEMP	222	
R139J1	207359-1	RCPT	222	
R140	122-550133-5	XDCR ASSY-AFT CABIN TEMP	291	
R140J1	207359-1	RCPT	291	
R141	122-550133-5	XDCR ASSY-L AFT DUCT TEMP	291	
R141J1	207359-1	RCPT	291	
R142	122-550133-5	XDCR ASSY-R AFT DUCT TEMP	292	
R142J1	207359-1	RCPT	292	
S171	1173T0508	SW-400 DEG F BLEED AIR DUCT SENSE	310	
S241	122-550134-1	SW-L FWD DUCT OVERTEMP	221	
S241P1	207360-1	PLUG	221	
S242	122-550134-1	SW-R FWD DUCT OVERTEMP	222	
S242P1	207360-1	PLUG	222	
S243	122-550134-1	SW-L AFT DUCT OVERTEMP	291	
S243P1	207360-1	PLUG	291	
S244	122-550134-1	SW-R AFT DUCT OVERTEMP	292	
S244P1	207360-1	PLUG	292	
W395	M27500-22TE2T14	CABLE-2 CNDCT	161	
W396	M27500-22TE2T14	CABLE-2 CNDCT	320	
W397	M27500-22TE2T14	CABLE-2 CNDCT	221	
W398	M27500-22TE2T14	CABLE-2 CNDCT	172	
W399	M27500-22TE2T14	CABLE-2 CNDCT	222	
W400	M27500-22TE2T14	CABLE-2 CNDCT	172	
W401	M27500-22TE2T14	CABLE-2 CNDCT	295	
W402	M27500-22TE2T14	CABLE-2 CNDCT	295	
W403	M27500-22TE2T14	CABLE-2 CNDCT	295	
W619	M27500-22TE2T14	CABLE-2 CNDCT	291	
W632	M27500-22TE2T14	CABLE-2 CNDCT	291	

# Beechcraft STARSHIP 1 WIRING DIAGRAM MANUAL



**Beechcraft**  
**STARSHIP 1**  
**WIRING DIAGRAM MANUAL**

REFERENCE DESIGNATOR	PART NUMBER	DESCRIPTION	USABLE INSTL ON ZONE CODE
		21-52-00	
W633	M27500-22TE2T14	CABLE-2 CNDCT	292

**EFFECTIVITY CODE**

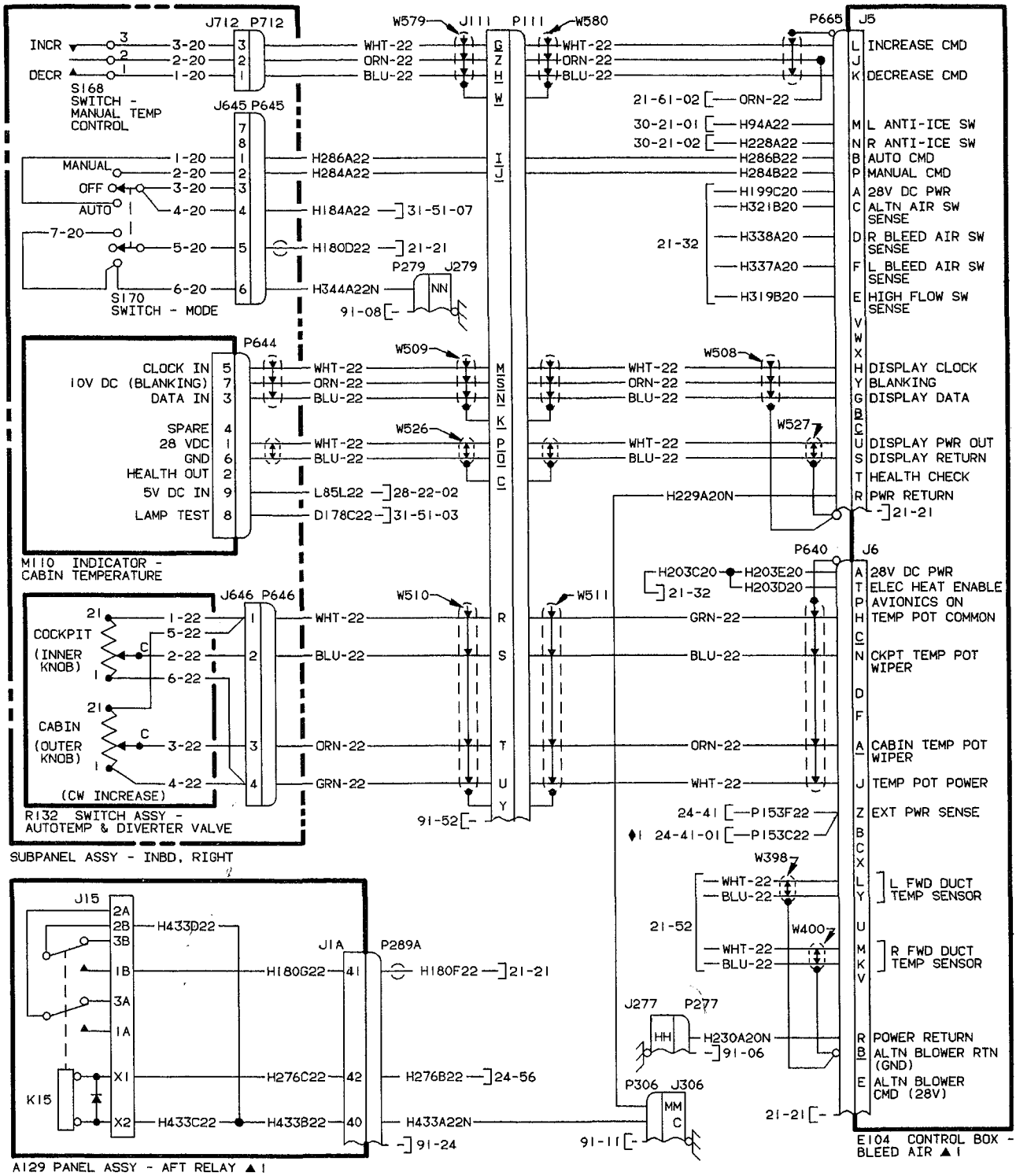
1. NC-4 THRU NC-17
2. NC-18 & AFTER



**Beechcraft**  
**STARSHIP 1**  
**WIRING DIAGRAM MANUAL**

**21-61-01**

# Beechcraft STARSHIP 1 WIRING DIAGRAM MANUAL



## TEMPERATURE CONTROL

**Deechcraft**  
**STARSHIP 1**  
**WIRING DIAGRAM MANUAL**

REFERENCE DESIGNATOR	PART NUMBER	DESCRIPTION	USABLE	
			INSTL ZONE	ON CODE
21-61-01				
A129J15	451120-051	RCPT-RELAY	320	
A129K15	M6106/27-023	RELAY	320	
E104	2617T100-29	CONTROL BOX-BLEED AIR	320	1
E104	2617T100-31	CONTROL BOX-BLEED AIR	320	2
J645	206486-2	RCPT-MODE TEMP SWITCH	243	
J646	206153-1	RCPT-AUTOTEMP & DIVERTER VALVE SW	243	
J712	207359-1	RCPT-MANUAL TEMP CONTROL SW	243	
M110	122-382133-1	INDICATOR-CABIN TEMP	243	
P640	MS3476L16-26SY	PLUG-ENVIR CONTROL BOX,#6	640	
P644	205203-1	PLUG-CABIN TEMP INDICATOR	243	
P645	206485-1	PLUG-MODE SWITCH	243	
P646	206060-1	PLUG-AUTOTEMP & DIVERTER VALVE SW	243	
P665	MS3476L16-26SW	PLUG-ENVIR CONTROL BOX,#5	640	
P712	207360-1	PLUG-MANUAL TEMP CONTROL SW	243	
R132	122-322173-1	RESISTOR-AUTOTEMP & DIVERTER VALVE	243	
S168	112TW91-7	SW-MANUAL TEMP CONTROL	243	
S170	122-322174-1	SW-MODE	243	
W398	M27500-22TE2T14	CABLE-2 CNDCT	172	
W400	M27500-22TE2T14	CABLE-2 CNDCT	172	
W508	M27500-22TE3T14	CABLE-3 CNDCT	640	
W509	M27500-22TE3T14	CABLE-3 CNDCT	243	
W510	M27500-22TE4T14	CABLE-4 CNDCT	243	
W511	M27500-22TE4T14	CABLE-4 CNDCT	640	
W526	M27500-22TE2T14	CABLE-2 CNDCT	243	
W527	M27500-22TE2T14	CABLE-2 CNDCT	640	
W579	M27500-22TE3T14	CABLE-3 CNDCT	243	
W580	M27500-22TE3T14	CABLE-3 CNDCT	640	

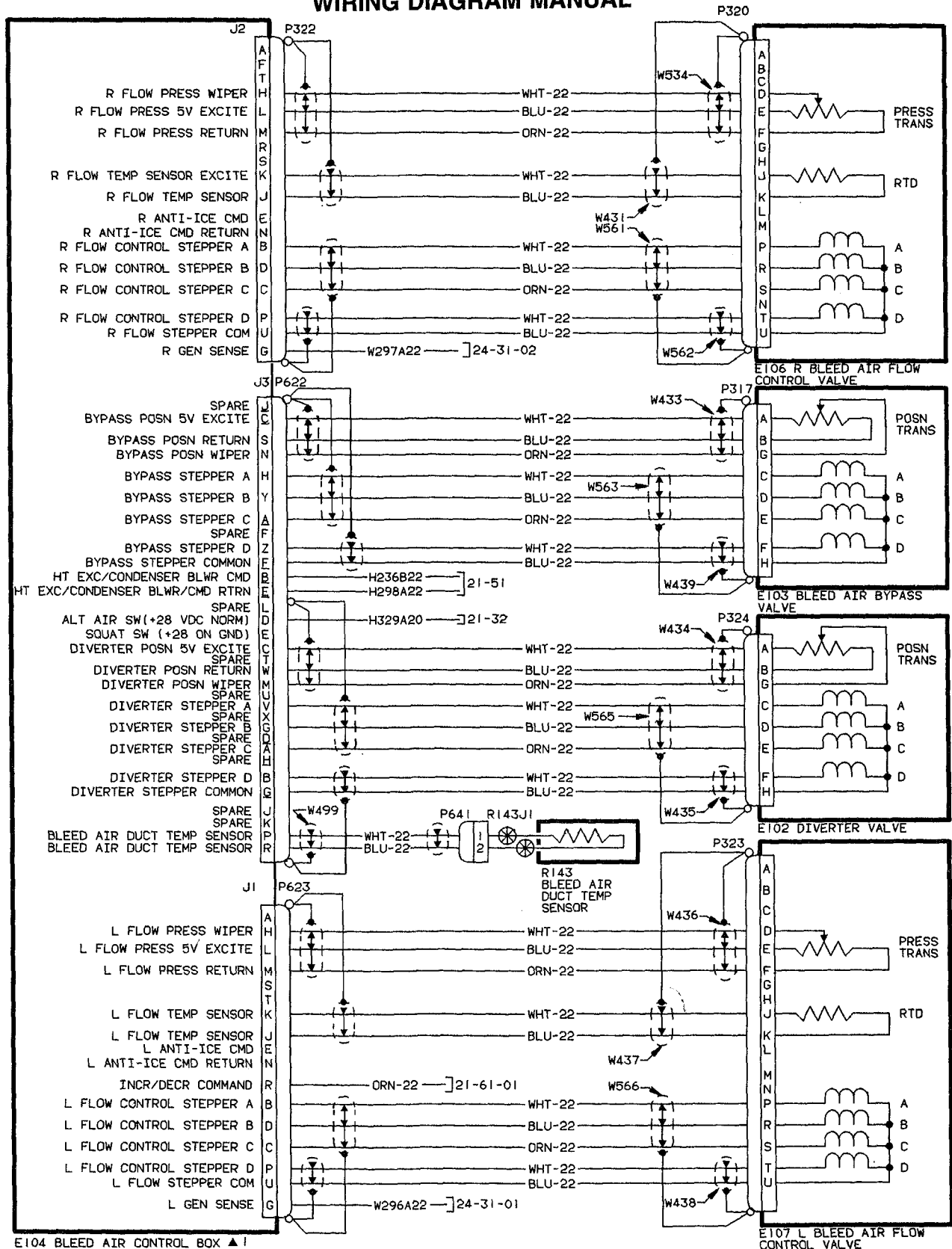
**EFFECTIVITY CODE**

1. NC-4 THRU NC-17
2. NC-18 & AFTER

**Beechcraft**  
**STARSHIP 1**  
**WIRING DIAGRAM MANUAL**

**21-61-02**

# Beechcraft STARSHIP 1 WIRING DIAGRAM MANUAL



## TEMPERATURE CONTROL

**Beechcraft**  
**STARSHIP 1**  
**WIRING DIAGRAM MANUAL**

REFERENCE DESIGNATOR	PART NUMBER	DESCRIPTION	USABLE	
			INSTL ZONE	ON CODE
21-61-02				
E102	122-382065-3	VALVE-DIVERTER	310	
E103	122-382063-5	VALVE-BLEED AIR BYPASS	310	
E104	2617T100-29	CONTROL BOX-BLEED AIR	320	1
E104	2617T100-31	CONTROL BOX-BLEED AIR	320	2
E106	122-382061-7	VALVE-R BLEED AIR FLOW CONTROL	683	
E107	122-382061-7	VALVE-L BLEED AIR FLOW CONTROL	583	
P317	MS3476L12-8SX	PLUG-BLEED AIR BYPASS VALVE	310	
P320	MS3476L14-18S	PLUG-R BLEED AIR FLOW CONTROL	683	
P322	MS3476L14-18SW	PLUG-BLEED AIR CONTROL BOX #2	640	
P323	MS3476L14-18S	PLUG-L BLEED AIR FLOW CONTROL	583	
P324	MS3476L12-8S	PLUG-DIVERTER VALVE	310	
P622	MS3476L18-32S	PLUG-ENVIR CONTROL BOX,#3	640	
P623	MS3476L14-18S	PLUG-ENVIR CONTROL BOX,#1	640	
P641	207360-1	PLUG-BLEED AIR DUCT TEMP SENSOR	310	
R143	122-550133-5	XDCR ASSY-BLEED AIR DUCT TEMP	310	
W431	M27500-22TE2T14	CABLE-2 CNDCT	683	
W433	M27500-22TE3T14	CABLE-3 CNDCT	310	
W434	M27500-22TE3T14	CABLE-3 CNDCT	310	
W435	M27500-22TE2T14	CABLE-2 CNDCT	310	
W436	M27500-22TE3T14	CABLE-3 CNDCT	583	
W437	M27500-22TE2T14	CABLE-2 CNDCT	583	
W438	M27500-22TE2T14	CABLE-2 CNDCT	583	
W439	M27500-22TE2T14	CABLE-2 CNDCT	310	
W499	M27500-22TE2T14	CABLE-2 CNDCT	640	
W534	M27500-22TE3T14	CABLE-3 CNDCT	683	
W561	M27500-22TE3T14	CABLE-3 CNDCT	683	
W562	M27500-22TE2T14	CABLE-2 CNDCT	683	
W563	M27500-22TE3T14	CABLE-3 CNDCT	310	
W565	M27500-22TE3T14	CABLE-3 CNDCT	310	
W566	M27500-22TE3T14	CABLE-3 CNDCT	583	

**EFFECTIVITY CODE**

1. NC-4 THRU NC-17
2. NC-18 & AFTER

**Beechcraft**  
**STARSHIP 1**  
**WIRING DIAGRAM MANUAL**  
*LIST OF PAGES & TABLE OF CONTENTS*  
*for*  
**CHAPTER 24 - ELECTRICAL POWER**

<b>SYS/SUB-SYS/ CHAP SECTION</b>	<b>PAGE NO.</b>	<b>EFFECTIVE DATE</b>	<b>TABLE OF CONTENTS</b>
<b>24-01-00</b>	Page 1	02/25/94	GENERAL-VOLTAGE/LOADMETERS
	Page 2	02/25/94	
	Page 3	02/25/94	
<b>24-31-01 (Config 1)</b>	Page 1	02/25/94	DC GENERATION-LEFT
	Page 2	02/25/94	
	Page 3	02/25/94	
<b>24-31-01 (Config 2)</b>	Page 1	02/25/94	DC GENERATION-LEFT
	Page 2	02/25/94	
	Page 3	02/25/94	
<b>24-31-02</b>	Page 1	02/25/94	DC GENERATION-RIGHT
	Page 2	02/25/94	
	Page 3	02/25/94	
<b>24-33-00</b>	Page 1	02/25/94	DC GENERATION-BATTERY
	Page 2	02/25/94	
	Page 3	02/25/94	
<b>24-34-01</b>	Page 1	02/25/94	DC GENERATION-BUS TIE CONTROL
	Page 2	02/25/94	
	Page 3	02/25/94	
<b>24-34-02</b>	Page 1	02/25/94	DC GENERATION-BUS TIE CONTROL
	Page 2	02/25/94	
	Page 3	02/25/94	
<b>24-35-00</b>	Page 1	02/25/94	DC GENERATION-POWER RETURN
	Page 2	02/25/94	
	Page 3	02/25/94	
<b>24-36-00</b>	Page 1	02/25/94	DC GENERATION-GENERATOR OVERTEMPERATURE (OPTIONAL)
	Page 2	02/25/94	
	Page 3	02/25/94	
<b>24-41-00 (Config 1)</b>	Page 1	02/25/94	EXTERNAL POWER-AFT FUSELAGE (WITHOUT KIT 122-3002)
	Page 2	02/25/94	
	Page 3	02/25/94	
<b>24-41-01 (Config 2)</b>	Page 1	02/25/94	EXTERNAL POWER-LEFT MAIN WING
	Page 2	02/25/94	
	Page 3	02/25/94	
<b>24-51-01 (Config 1)</b>	Page 1	02/25/94	ELECTRIC LOAD DISTRIBUTION-L DC GENERATOR & CENTER BUS
	Page 2	02/25/94	
	Page 3	02/25/94	
<b>24-51-01 (Config 2)</b>	Page 1	02/25/94	ELECTRIC LOAD DISTRIBUTION-L DC GENERATOR & CENTER BUS
	Page 2	02/25/94	
	Page 3	02/25/94	
<b>24-51-01 (Config 3)</b>	Page 1	02/25/94	ELECTRIC LOAD DISTRIBUTION-L DC GENERATOR & CENTER BUS
	Page 2	02/25/94	
	Page 3	02/25/94	
<b>24-51-02 (Config 1)</b>	Page 1	02/25/94	ELECTRIC LOAD DISTRIBUTION-R DC GENERATOR & TRIPLE BUS
	Page 2	02/25/94	
	Page 3	02/25/94	
<b>24-51-02 (Config 2)</b>	Page 1	02/25/94	ELECTRIC LOAD DISTRIBUTION-R DC GENERATOR & TRIPLE BUS
	Page 2	02/25/94	
	Page 3	02/25/94	

**Beechcraft**  
**STARSHIP 1**  
**WIRING DIAGRAM MANUAL**  
*LIST OF PAGES & TABLE OF CONTENTS*

*for*  
**CHAPTER 24 - ELECTRICAL POWER (Continued)**

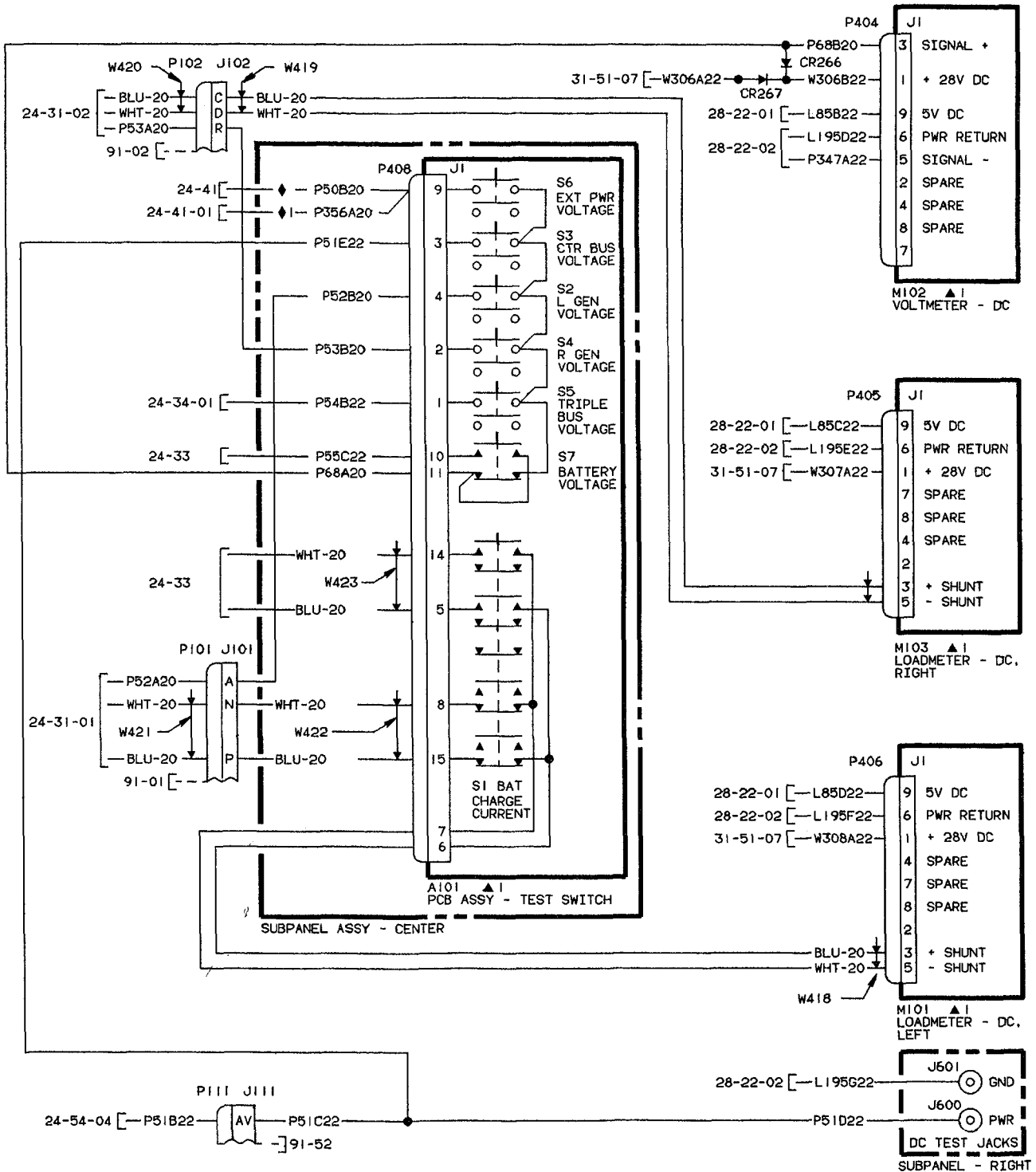
<b>SYS/SUB-SYS/ CHAP SECTION</b>	<b>PAGE NO.</b>	<b>EFFECTIVE DATE</b>	<b>TABLE OF CONTENTS</b>
<b>24-54-01</b>	Page 1	02/25/94	ELECTRIC LOAD DISTRIBUTION-CIRCUIT BREAKER PANEL, LEFT (OPTIONAL)
	Page 2	02/25/94	
	Page 3	02/25/94	
	Page 4	02/25/94	
	Page 5	02/25/94	
<b>24-54-02</b>	Page 1	02/25/94	ELECTRIC LOAD DISTRIBUTION-CIRCUIT BREAKER PANEL, LEFT
	Page 2	02/25/94	
	Page 3	02/25/94	
	Page 4	02/25/94	
	Page 5	02/25/94	
<b>24-54-03 (Config 1)</b>	Page 1	02/25/94	ELECTRIC LOAD DISTRIBUTION-CIRCUIT BREAKER PANEL, RIGHT
	Page 2	02/25/94	
	Page 3	02/25/94	
<b>24-54-03 (Config 2)</b>	Page 1	02/25/94	ELECTRIC LOAD DISTRIBUTION-CIRCUIT BREAKER PANEL, RIGHT
	Page 2	02/25/94	
	Page 3	02/25/94	
<b>24-54-03 (Config 3)</b>	Page 1	02/25/94	ELECTRIC LOAD DISTRIBUTION-CIRCUIT BREAKER PANEL, RIGHT
	Page 2	02/25/94	
	Page 3	02/25/94	
<b>24-54-04 (Config 1)</b>	Page 1	02/25/94	ELECTRIC LOAD DISTRIBUTION-CIRCUIT BREAKER PANEL, AFT
	Page 2	02/25/94	
	Page 3	02/25/94	
<b>24-54-04 (Config 2)</b>	Page 1	02/25/94	ELECTRIC LOAD DISTRIBUTION-CIRCUIT BREAKER PANEL, AFT
	Page 2	02/25/94	
	Page 3	02/25/94	
<b>24-54-05</b>	Page 1	02/25/94	ELECTRIC LOAD DISTRIBUTION-CIRCUIT BREAKER PANEL, AUXILIARY
	Page 2	02/25/94	
	Page 3	02/25/94	
<b>24-56-00</b>	Page 1	02/25/94	ELECTRIC LOAD DISTRIBUTION-AVIONICS POWER
	Page 2	02/25/94	
	Page 3	02/25/94	



Beechcraft  
STARSHIP 1  
WIRING DIAGRAM MANUAL

**24-01-00**

# Beechcraft STARSHIP 1 WIRING DIAGRAM MANUAL



- ◆ ON AIRCRAFT NC-30 & AFTER, WIRE P356A20 IS USED.
- ◆ ON AIRCRAFT NC-4 THRU NC-29 WIRE P50B20 IS USED.

## GENERAL-VOLTAGE/LOADMETERS

Beechcraft  
**STARSHIP 1**  
**WIRING DIAGRAM MANUAL**

REFERENCE DESIGNATOR	PART NUMBER	DESCRIPTION	USABLE	
			INSTL ZONE	ON CODE
24-01-00				
A101	122-322169-1	PCB ASSY-TEST SWITCH		242
CR266	1N4007	DIODE		242
CR267	1N4007	DIODE		242
J600	1506-102	TEST JACK-DC POWER		242
J601	1506-103	TEST JACK-DC GROUND		242
M101	122-382045-9	DISPLAY-L DC LOAD		242
M102	122-382047-7	DISPLAY-DC VOLTAGE		242
M103	122-382045-9	DISPLAY-R DC LOAD		242
P404	205203-1	PLUG-DC VOLTMETER		242
P405	205203-1	PLUG-R DC LOADMETER		242
P406	205203-1	PLUG-L DC LOADMETER		242
P408	205205-1	PLUG-VOLT SELECT PANEL		242
W418	M27500-20TE2U15	CABLE-2 CNDCT		242
W419	M27500-20TE2U15	CABLE-2 CNDCT		242
W420	M27500-20TE2U15	CABLE-2 CNDCT		172
W421	M27500-20TE2U15	CABLE-2 CNDCT		172
W422	M27500-20TE2U15	CABLE-2 CNDCT		242
W423	M27500-20TE2U15	CABLE-2 CNDCT		237

**EFFECTIVITY CODE**

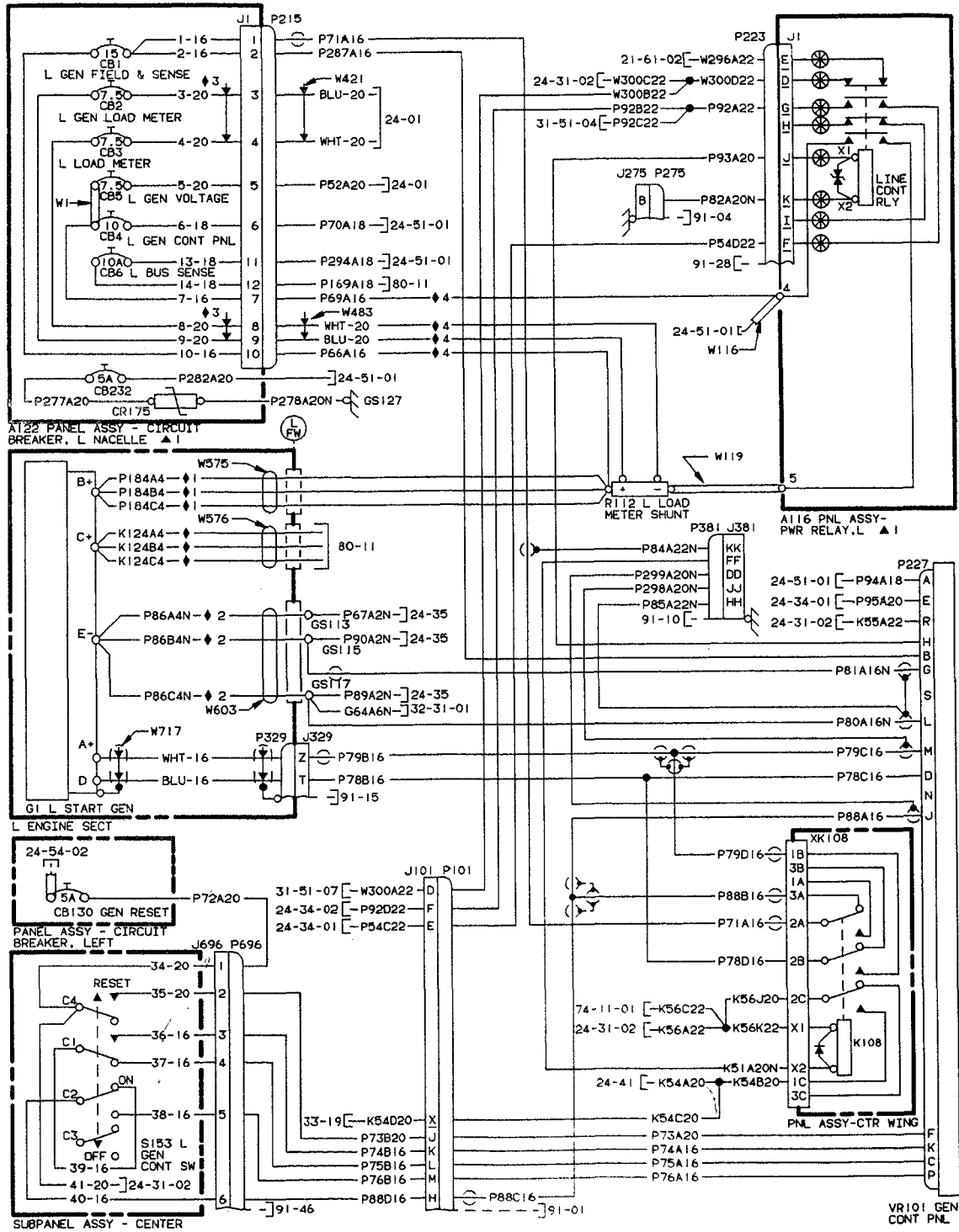
**Beechcraft**  
**STARSHIP 1**  
**WIRING DIAGRAM MANUAL**

# **24-31-01**

## **Configuration 1**

**NC-4 THRU NC-29**

# Beechcraft STARSHIP 1 WIRING DIAGRAM MANUAL



- ◆ 4 ROUTE SEPARATE FROM OTHER WIRING.
- ◆ 3 TWIST WIRES 6 TURNS PER FT.
- ◆ 2 WIRES TO BE SAME LG ±1.0 IN
- ◆ 1 WIRES TO BE SAME LG ±1.0 IN
- ◆ WIRES TO BE SAME LG ±1.0 IN

## DC GENERATION-LEFT (Configuration 1)

**Beechcraft**  
**STARSHIP 1**  
**WIRING DIAGRAM MANUAL**

REFERENCE DESIGNATOR	PART NUMBER	DESCRIPTION	USABLE	
			INSTL ZONE	ON CODE
<b>24-31-01</b> <b>(Configuration 1 )</b>				
A122	122-361013-41	CB PANEL ASSY-LEFT NACELLE	583	1
A122CB1	131984-15	CB-L GEN FIELD AND SENSE	583	1
A122CB2	131984-7	CB-L GEN LOADMETER	583	1
A122CB3	131984-7	CB-L LOADMETER	583	1
A122CB4	131984-10	CB-L GEN CONTROL PANEL	583	1
A122CB5	131984-7	CB-L GEN VOLTAGE	583	1
A122CB6	131984-10	CB-L BUS SENSE	583	1
A122J1	207018-1	RCPT	583	1
A122W1	122-361014-21	BUS BAR	583	1
CB130	131984-5	CB-GENERATOR RESET	236	1
CB232	131984-5	CB-LIGHTNING STRIKE	583	1
CR175	122-380062-5	VARISTOR-TRANSIENT VOLTAGE PROTECTION	583	1
GS113	AN5-5	GROUND STUD-L FIREWALL	583	1
GS115	AN5-5	GROUND STUD-L FIREWALL	583	1
GS117	AN5-5	GROUND STUD-L FIREWALL	583	1
GS127	131270-3	GROUND STUD-L FIREWALL	583	1
G1	23085-001	LEFT START/GENERATOR	411	1
K108	M6106/29-023	RELAY-FIELD GROUNDING	547	1
P215	207017-1	PLUG-CB PANEL ASSY	583	1
P227	MS27473T20A16S	PLUG-L GCU	547	1
R112	100-380007-5	RESISTOR-L LOADMETER SHUNT	583	1
S153	31AT46-S	SW-GENERATOR CONTROL	242	1
VR101	51538-001B	PANEL-L GENERATOR CONTROL	547	1
W116	122-361014-81	BUS BAR	583	1
W119	122-361014-45	BUS BAR	583	1
W421	M27500-20TE2U15	CABLE-2 CNDCT	172	1
W483	M27500-20TE2U15	CABLE-2 CNDCT	583	1
W575	109-361022-31	FW WIRE FEEDTHRU ASSY-L GEN	583	1
W576	109-361022-49	FW WIRE FEEDTHRU ASSY-L GEN	583	1
W603	109-361022-53	FW WIRE FEEDTHRU ASSY-L GEN	583	1
W717	M27500-16TE2T14	CABLE-2 CNDCT	583	1
XK108	451116-371	RELAY SOCKET-L FIELD GROUNDING	547	1

**EFFECTIVITY CODE**

1. NC-4 THRU NC-29

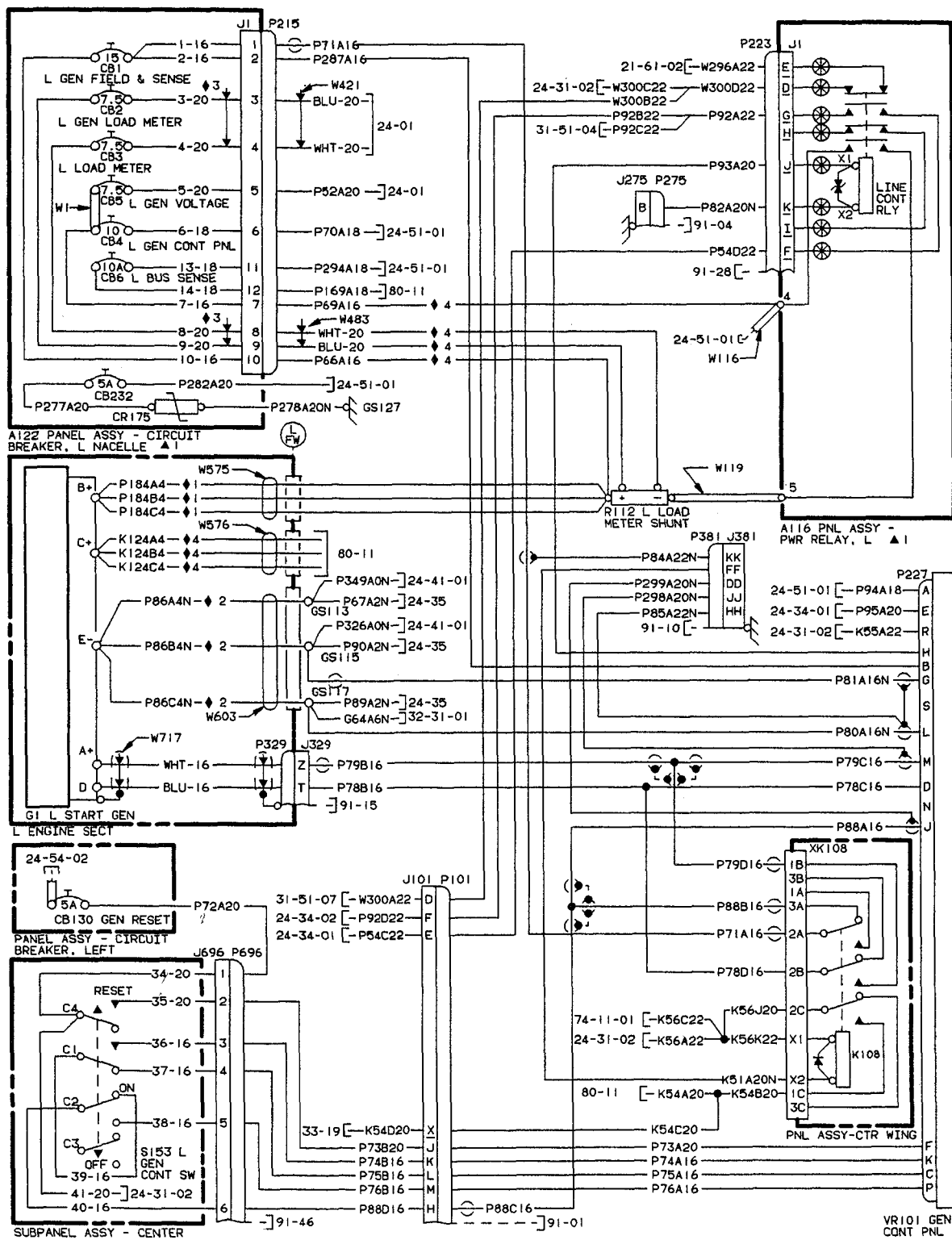
**Beechcraft**  
**STARSHIP 1**  
**WIRING DIAGRAM MANUAL**

# **24-31-01**

## **Configuration 2**

**NC-30 & AFTER**

# Beechcraft STARSHIP 1 WIRING DIAGRAM MANUAL



- ◆ 4 ROUTE SEPARATE FROM OTHER WIRING.
- ◆ 3 TWIST WIRES 6 TURNS PER FT.
- ◆ 2 WIRES TO BE SAME LG ±1.0 IN
- ◆ 1 WIRES TO BE SAME LG ±1.0 IN
- ◆ WIRES TO BE SAME LG ±1.0 IN

## DC GENERATION-LEFT (Configuration 2)



**Beechcraft**  
**STARSHIP 1**  
**WIRING DIAGRAM MANUAL**

REFERENCE DESIGNATOR	PART NUMBER	DESCRIPTION	USABLE	
			INSTL ZONE	ON CODE
<b>24-31-01</b> <b>(Configuration 2 )</b>				
A122	122-361013-41	CB PANEL ASSY-LEFT NACELLE	583	1
A122CB1	131984-15	CB-L GEN FIELD AND SENSE	583	1
A122CB2	131984-7	CB-L GEN LOADMETER	583	1
A122CB4	131984-10	CB-L GEN CONTROL PANEL	583	1
A122CB5	131984-7	CB-L GEN VOLTAGE	583	1
A122CB6	131984-10	CB-L BUS SENSE	583	1
A122J1	207018-1	RCPT	583	1
A122W1	122-361014-21	BUS BAR	583	1
CB130	131984-5	CB-GENERATOR RESET	236	1
CB232	131984-5	CB-LIGHTNING STRIKE	583	1
CR175	122-380062-5	VARISTOR-TRANSIENT VOLTAGE PROTECTION	583	1
GS113	AN5-5	GROUND STUD-L FIREWALL	583	1
GS115	AN5-5	GROUND STUD-L FIREWALL	583	1
GS117	AN5-5	GROUND STUD-L FIREWALL	583	1
GS127	131270-3	GROUND STUD-L FIREWALL	583	1
G1	23085-001	LEFT START/GENERATOR	411	1
K108	M6106/29-023	RELAY-FIELD GROUNDING	547	1
P215	207017-1	PLUG-CB PANEL ASSY	583	1
P227	MS27473T20A16S	PLUG-L GCU	547	1
R112	100-380007-5	RESISTOR-L LOADMETER SHUNT	583	1
S153	31AT46-S	SW-GENERATOR CONTROL	242	1
W116	122-361014-81	BUS BAR	583	1
W119	122-361014-45	BUS BAR	583	1
W421	M27500-20TE2U15	CABLE-2 CNDCT	172	1
W483	M27500-20TE2U15	CABLE-2 CNDCT	583	1
W575	109-361022-31	FW WIRE FEEDTHRU ASSY-L GEN	583	1
W576	109-361022-49	FW WIRE FEEDTHRU ASSY-L GEN	583	1
W603	109-361022-53	FW WIRE FEEDTHRU ASSY-L GEN	583	1
W717	M27500-16TE2T14	CABLE-2 CNDCT	583	1
XK108	451116-371	RELAY SOCKET-L FIELD GROUNDING	547	1

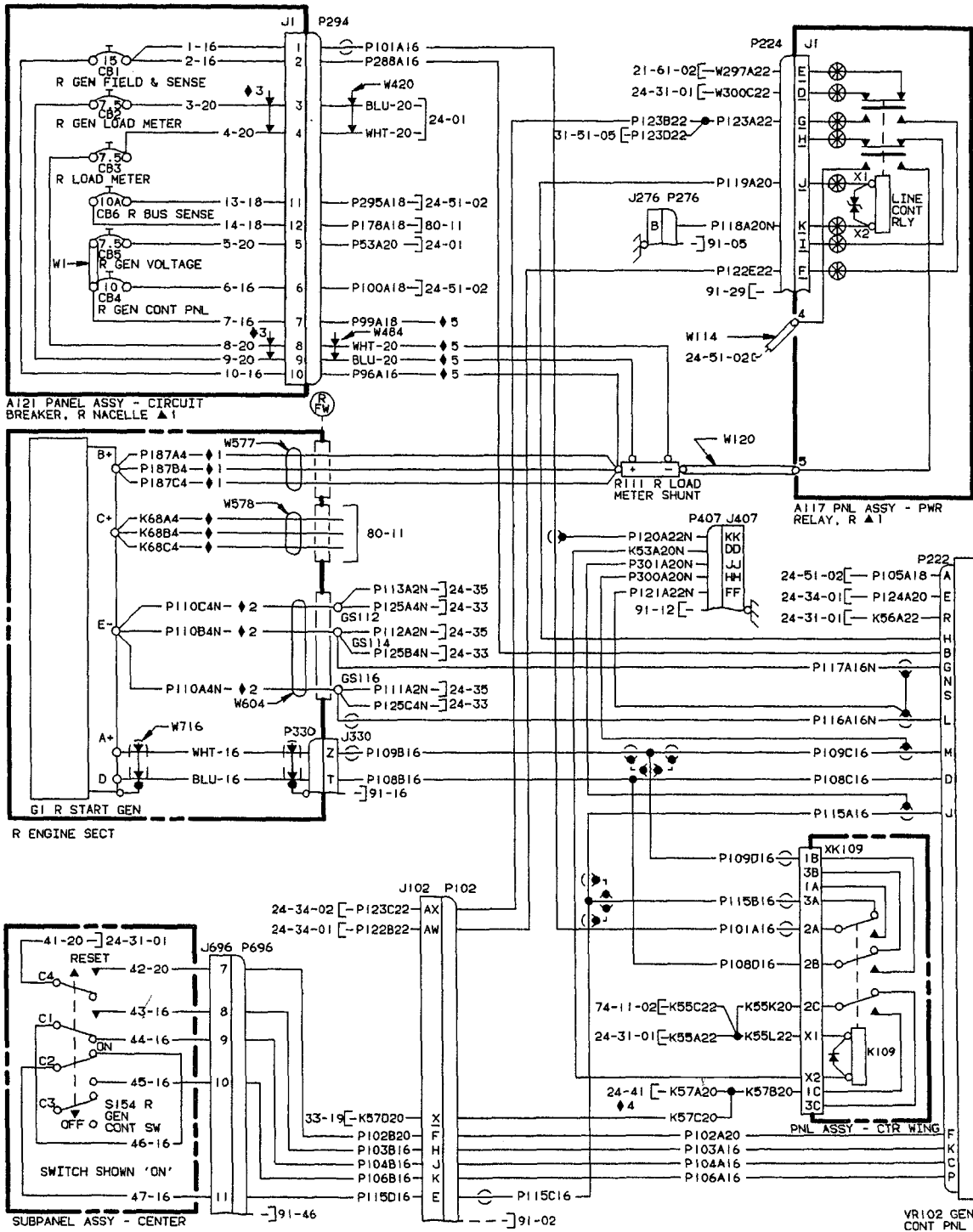
**EFFECTIVITY CODE**

1. NC-30 & AFTER

**Beechcraft**  
**STARSHIP 1**  
**WIRING DIAGRAM MANUAL**

**24-31-02**

# Beechcraft STARSHIP 1 WIRING DIAGRAM MANUAL



- ◆5 ROUTE SEP FROM OTHER WIRING.
- ◆4 REF DES 80-11 NC-30 & AFT
- ◆3 TWIST WIRES 6 TURNS PER FT.
- ◆2 WIRES TO BE SAME LG ±1.0 IN
- ◆1 WIRES TO BE SAME LG ±1.0 IN
- ◆ WIRES TO BE SAME LG ±1.0 IN

## DC GENERATION-RIGHT

**Beechcraft**  
**STARSHIP 1**  
**WIRING DIAGRAM MANUAL**

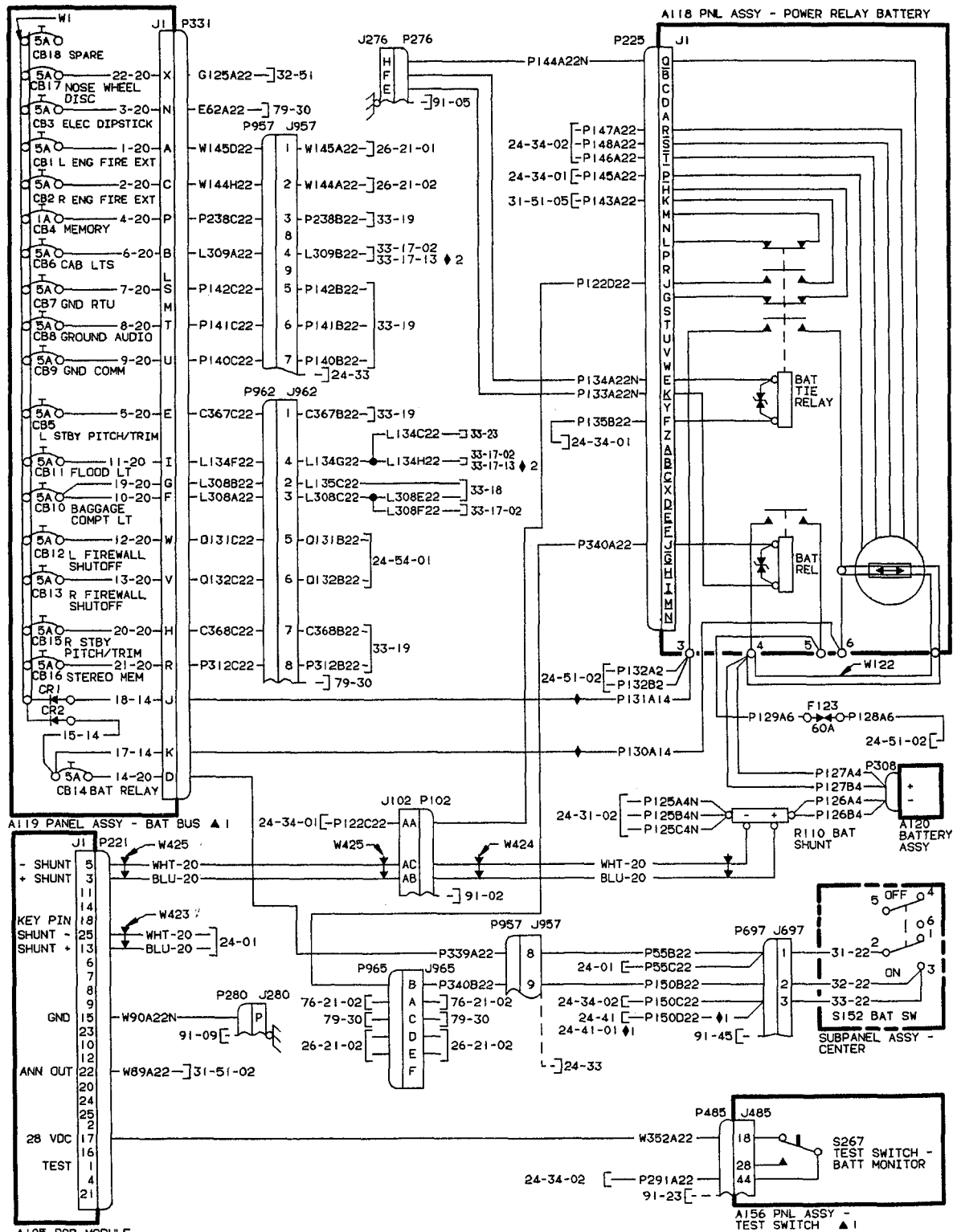
REFERENCE DESIGNATOR	PART NUMBER	DESCRIPTION	USABLE	
			INSTL ZONE	ON CODE
<b>24-31-02</b>				
A121	122-361013-77	CB PANEL ASSY-RIGHT NACELLE		683
A121CB1	131984-15	CB-R GEN FIELD & SENSE		683
A121CB2	131984-7	CB-R GEN LOADMETER		683
A121CB3	131981-7	CB-R LOADMETER		683
A121CB4	131984-10	CB-R GEN CONTROL PANEL		683
A121CB5	131984-7	CB-R GEN VOLTAGE		683
A121CB6	131984-10	CB-R BUS SENSE		683
A121J1	207018-1	RCPT		683
A121W1	122-361014-21	BUS BAR		683
GS112	AN5-5	GROUND STUD-R FIREWALL		683
GS114	AN5-5	GROUND STUD-R FIREWALL		683
GS116	AN5-5	GROUND STUD-R FIREWALL		683
G1	23085-001	RIGHT START/GENERATOR		421
K109	M6106/29-023	RELAY-FIELD GROUNDING		547
P222	M27473T20A16S	PLUG-R GCU		547
P294	207017-1	PLUG-R NACELLE CB PANEL		683
R111	100-380007-5	RESISTOR-R LOADMETER SHUNT		683
S154	31AT46-S	SW-R GEN CONTROL		242
VR102	51538-001B	PANEL-R GEN CONTROL		547
W114	122-361014-89	BUS BAR		683
W120	122-361014-89	BUS BAR		683
W420	M27500-20TE2U15	CABLE-2 CNDCT		172
W484	M27500-20TE2U15	CABLE-2 CNDCT		683
W577	109-361022-41	FW WIRE FEEDTHRU ASSY-R GEN		683
W578	109-361022-43	FW WIRE FEEDTHRU ASSY-R GEN		683
W604	109-361022-55	FW WIRE FEEDTHRU ASSY-R GEN		683
W716	M27500/16TG2T14	CABLE-2 CNDCT		421
XK109	451116-371	RLY SOCKET-R FIELD GROUNDING		547

**EFFECTIVITY CODE**

**Beechcraft**  
**STARSHIP 1**  
**WIRING DIAGRAM MANUAL**

**24-33-00**

# Beechcraft STARSHIP 1 WIRING DIAGRAM MANUAL



A125 PCB MODULE -  
BATT MONITOR ▲ I

- ◆ 2 NC-21 & AFT
- ◆ 1 EFF. : NC-30 & AFT
- ◆ ROUTE SEPARATE FROM OTHER WIRING

## DC GENERATION-BATTERY

**Beechcraft**  
**STARSHIP 1**  
**WIRING DIAGRAM MANUAL**

REFERENCE DESIGNATOR	PART NUMBER	DESCRIPTION	USABLE	
			INSTL ZONE	ON CODE
24-33-00				
A118	122-389020-1	PANEL ASSY-BATTERY POWER RELAY		683
A118J1	MS3122E20-41P	RCPT-POWER PANEL ASSY		683
A119	122-361013-37	PANEL ASSY-BATTERY BUS		683
A119CB1	131984-5	CB-L ENGINE FIRE EXTINGUISHER		683
A119CB10	131984-5	CB-BAGGAGE COMPARTMENT LIGHT		683
A119CB11	131984-5	CB-FLOOD LIGHT		683
A119CB12	131984-5	CB-LEFT FIREWALL SHUTOFF		683
A119CB13	131984-5	CB-RIGHT FIREWALL SHUTOFF		683
A119CB14	131984-5	CB-BATTERY RELAY		683
A119CB15	131984-5	CB-R STANDBY PITCH/TRIM		683
A119CB16	131984-5	CB-STEREO MEMORY		683
A119CB17	131984-5	CB-NOSE WHEEL DISCONNECT		683
A119CB18	131984-5	CB-SPARE		683
A119CB2	131984-5	CB-R ENGINE FIRE EXTINGUISHER		683
A119CB3	131984-5	CB-ELECTRIC DIPSTICK		683
A119CB4	131984-1	CB-MEMORY		683
A119CB5	131984-5	CB-L STANDBY PITCH/TRIM		683
A119CB6	131984-5	CB-CABIN LIGHTS CIRCUIT		683
A119CB7	131984-5	CB-GROUND RTU		683
A119CB8	131984-5	CB-GROUND AUDIO		683
A119CB9	131984-5	CB-GROUND COMM		683
A119CR1	60HQ100	DIODE-RECTIFIER		683
A119CR2	60HQ100	DIODE-RECTIFIER		683
A119J1	MS3452L28-11P	RCPT		683
A119W1	122-361014-65	BUS BAR		683
A120	101-381008-7	BATTERY ASSEMBLY		683
A125	122-364182-7	PCB MODULE-BATTERY MONITOR		237
A125J1	DBM25PD	RCPT		237
F123	ACH-60	LIMITER-BATTERY TRIPLEFED		683
J957	LMD-3001-P	RCPT-BATTERY BUS		171
J965	MS3476L10-6S	RCPT		683
P221	130106BSM-25S	PLUG-BATTERY MONITOR		237
P225	MS3476L20-41S	PLUG-BATTERY POWER RELAY PANEL		683
P308	122-361015-1	PLUG-BATTERY		683
P331	MS3456L28-11S	PLUG-BATTERY BUS PANEL		683
P957	LMD-3001-S	PLUG-BATTERY BUS		172
P965	MS3471L10-6P	PLUG		683
R110	100-380007-3	RESISTOR-BATTERY SHUNT		683
S152	112TW91-3	SW-BATTERY		242
S267	MB2011SW06BK	SW-BATTERY MONITOR TEST		244
W122	122-361014-43	BUS BAR		683
W423	M27500-20TE2U15	CABLE-2 CNDCT		237
W424	M27500-20TE2U15	CABLE-2 CNDCT		172
W425	M27500-20TE2U15	CABLE-2 CNDCT		237

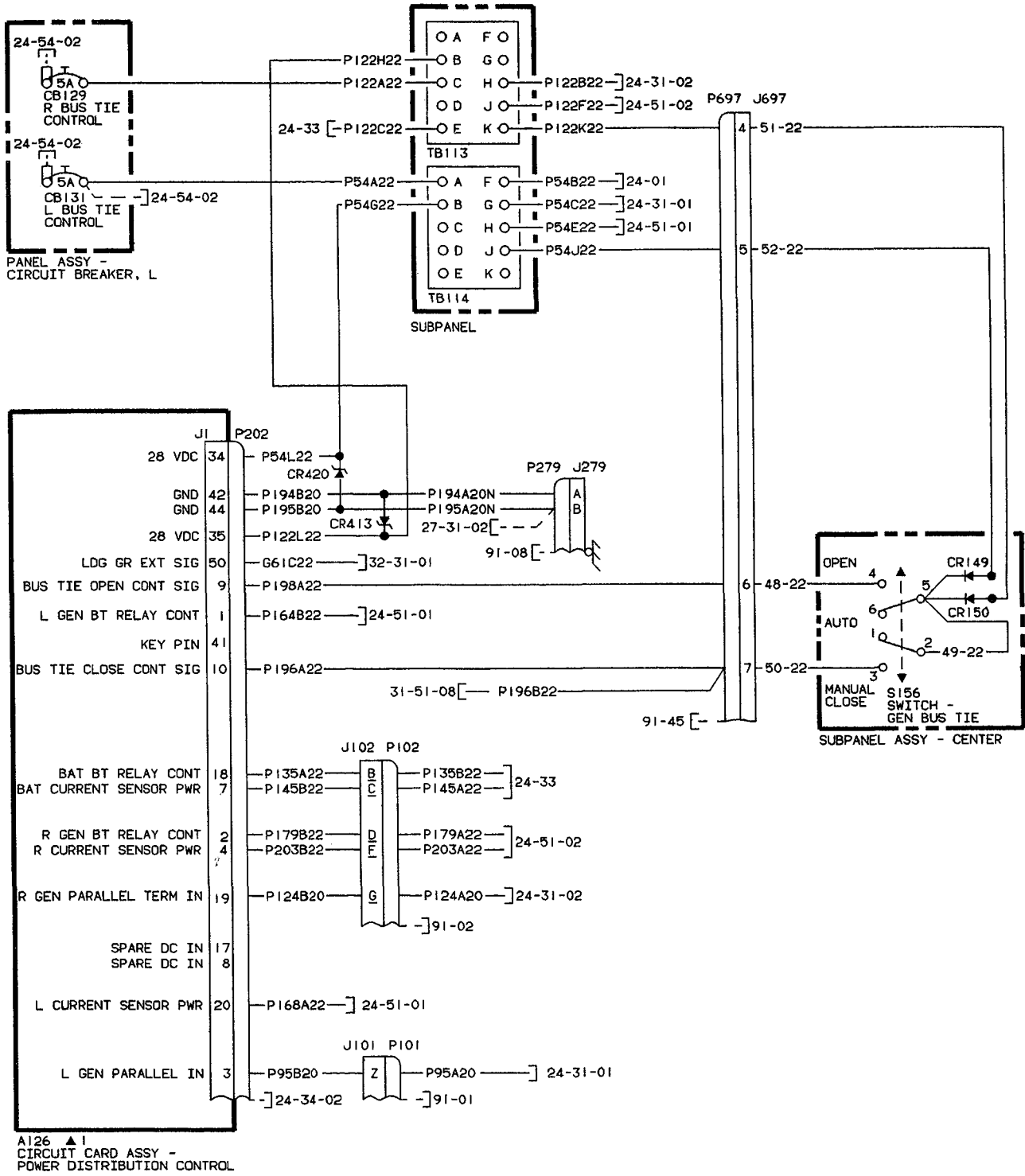
EFFECTIVITY CODE

**Beechcraft**  
**STARSHIP 1**  
**WIRING DIAGRAM MANUAL**

**24-34-01**



# Beechcraft STARSHIP 1 WIRING DIAGRAM MANUAL



**DC GENERATION-BUS TIE CONTROL**

Beechcraft  
**STARSHIP 1**  
**WIRING DIAGRAM MANUAL**

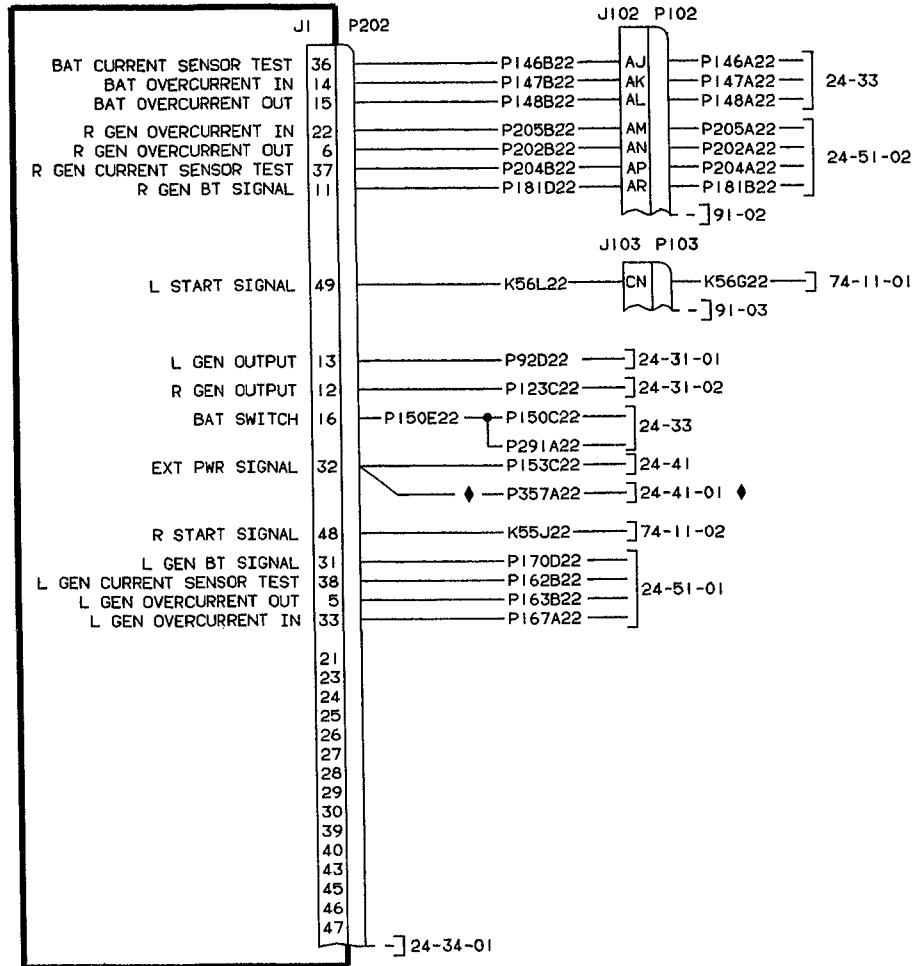
REFERENCE DESIGNATOR	PART NUMBER	DESCRIPTION	USABLE INSTL ON ZONE CODE
<b>24-34-01</b>			
A126	122-364173-17	CIRCUIT CARD ASSY-POWER DISTRIBUTION CONTROL	237
A126J1	DDM50PD	RCPT-POWER DISTRIBUTION CONTROL	237
CB129	131984-5	CB-RIGHT BUS TIE CONTROL	236
CB131	131984-5	CB-LEFT BUS TIE CONTROL	236
CR149	1N4007	DIODE	242
CR150	1N4007	DIODE	242
CR413	704-15K36	TRANSZORB	237
CR420	704-15K36	TRANSZORB	237
P202	130106DSM-50S	PLUG-POWER DISTRIBUTION CONTROL	237
S156	112-TW59-10A	SW-GEN BUS TIE	242
TB113	MRTB20E04	TERMINAL JUNCTION	239
TB114	MRTB20E04	TERMINAL JUNCTION	239

**EFFECTIVITY CODE**

**Beechcraft**  
**STARSHIP 1**  
**WIRING DIAGRAM MANUAL**

**24-34-02**

# Beechcraft STARSHIP 1 WIRING DIAGRAM MANUAL



A126 ▲ I  
CIRCUIT CARD ASSY -  
POWER DISTRIBUTION CONTROL

◆ ON AIRCRAFT NC-30 & AFTER,  
WIRE P357A22 AND PAGE DES  
24-41-01 ARE USED.

## DC GENERATION-BUS TIE CONTROL

**Beechcraft**  
**STARSHIP 1**  
**WIRING DIAGRAM MANUAL**

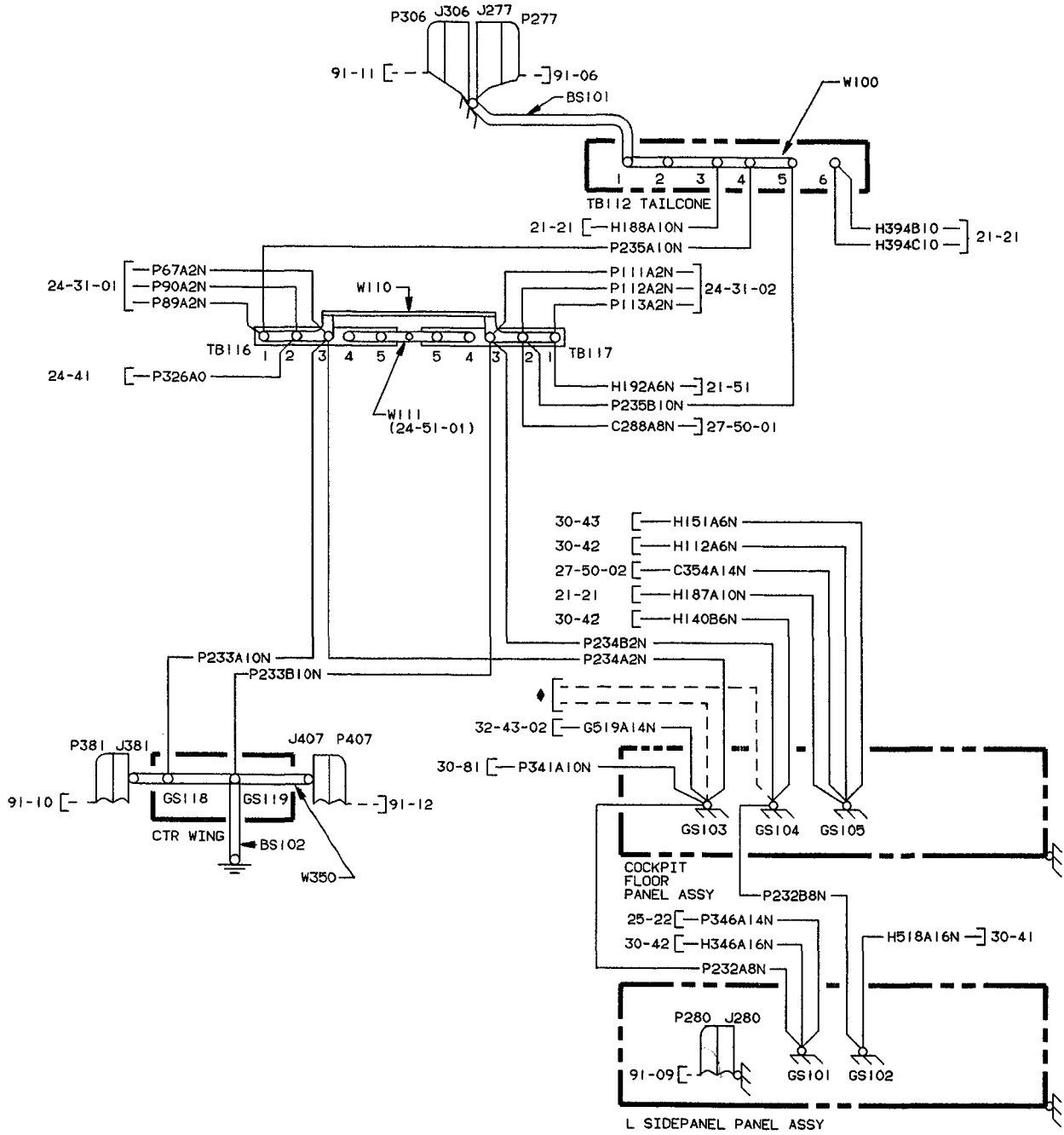
REFERENCE DESIGNATOR	PART NUMBER	DESCRIPTION	USABLE	
			INSTL	ON ZONE CODE
24-34-02				
A126	122-364173-17	CIRCUIT CARD ASSY-POWER DISTRIBUTION CONTROL	237	
A126J1	DDM50PD	RCPT-POWER DISTRIBUTION CONTROL	237	
P202	130106DSM-50S	PLUG-POWER DISTRIBUTION CONTROL	237	

**EFFECTIVITY CODE**

**Beechcraft**  
**STARSHIP 1**  
**WIRING DIAGRAM MANUAL**

**24-35-00**

# Beechcraft STARSHIP 1 WIRING DIAGRAM MANUAL



◆ THIS WIRING IS SUPPLIED AS PART OF AVIONICS WIRE HARNESS.

## DC GENERATION-POWER RETURN

Beechcraft  
**STARSHIP 1**  
**WIRING DIAGRAM MANUAL**

REFERENCE DESIGNATOR	PART NUMBER	DESCRIPTION	USABLE	
			INSTL	ON ZONE CODE
24-35-00				
BS101	MS25083-2BB5	BOND STRAP	320	
BS102	122-361003-51	BOND STRAP	547	
GS101	131270-3	GROUND STUD	237	
GS102	131270-3	GROUND STUD	237	
GS103	AN4-5A	GROUND STUD	143	
GS104	AN4-5A	GROUND STUD	143	
GS105	AN4-5A	GROUND STUD	143	
GS118	131270-3	GROUND STUD	547	
GS119	131270-3	GROUND STUD	547	
TB112	MS27212-2-6	TERMINAL BOARD	320	
TB116	MS27212-5-5	TERMINAL BOARD	556	
TB117	MS27212-5-5	TERMINAL BOARD	556	
W100	MS25226-4-5	BUS BAR	320	
W110	122-361014-57	BUS BAR	556	
W111	122-361014-55	BUS BAR	556	
W350	122-361019-11	BUS BAR	547	

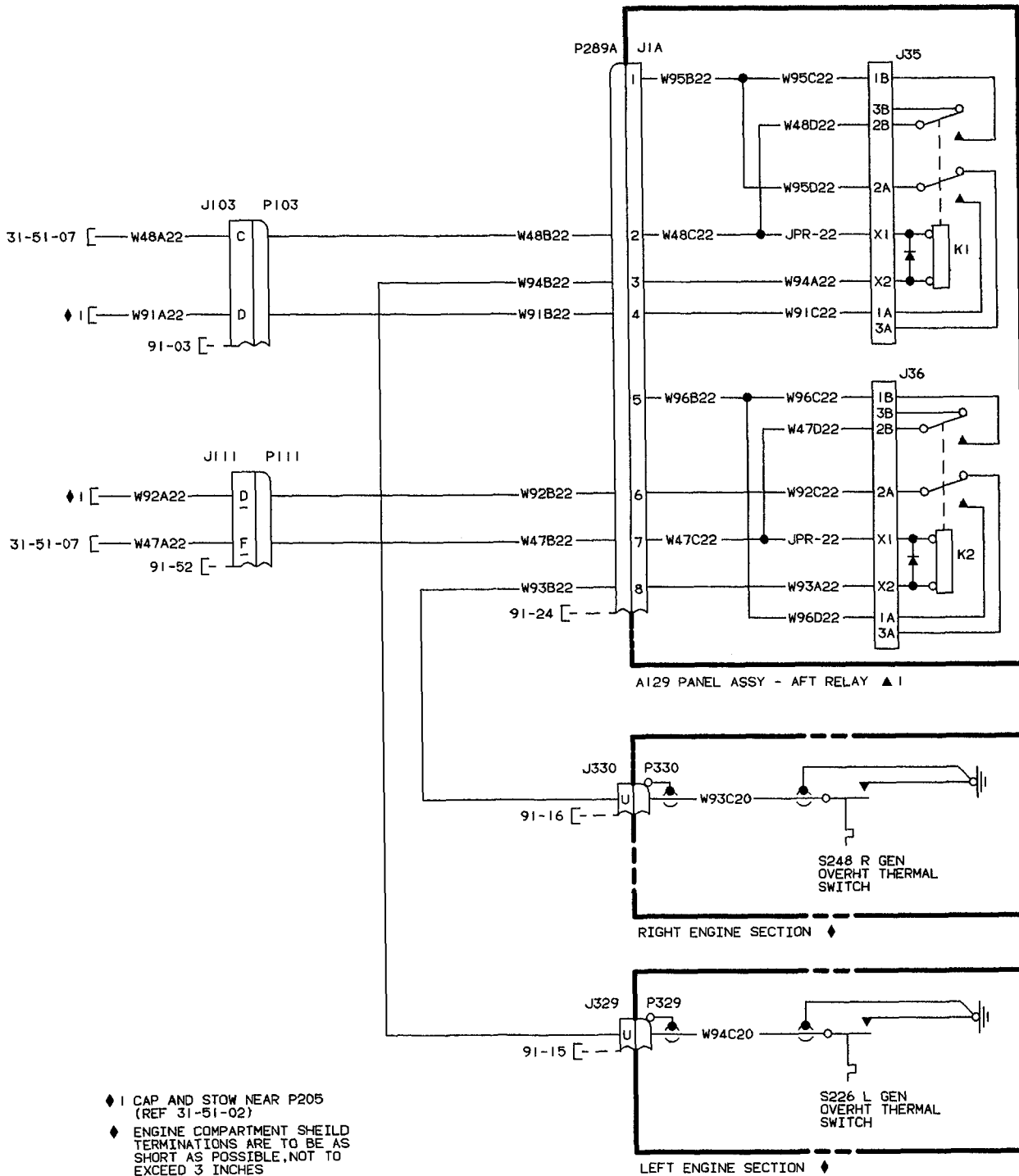
**EFFECTIVITY CODE**



**Beechcraft**  
**STARSHIP 1**  
**WIRING DIAGRAM MANUAL**

**24-36-00**

# Beechcraft STARSHIP 1 WIRING DIAGRAM MANUAL



**DC GENERATION-GENERATOR OVERTEMPERATURE (OPTIONAL)**

**Beechcraft**  
**STARSHIP 1**  
**WIRING DIAGRAM MANUAL**

REFERENCE DESIGNATOR	PART NUMBER	DESCRIPTION	USABLE	
			INSTL ZONE	ON CODE
24-36-00				
A129J35	451120-051	RCPT-RELAY		320
A129J36	451120-051	RCPT-RELAY		320
A129K1	M6106/27-023	RELAY		320
A129K2	M6106/27-023	RELAY		320

**EFFECTIVITY CODE**

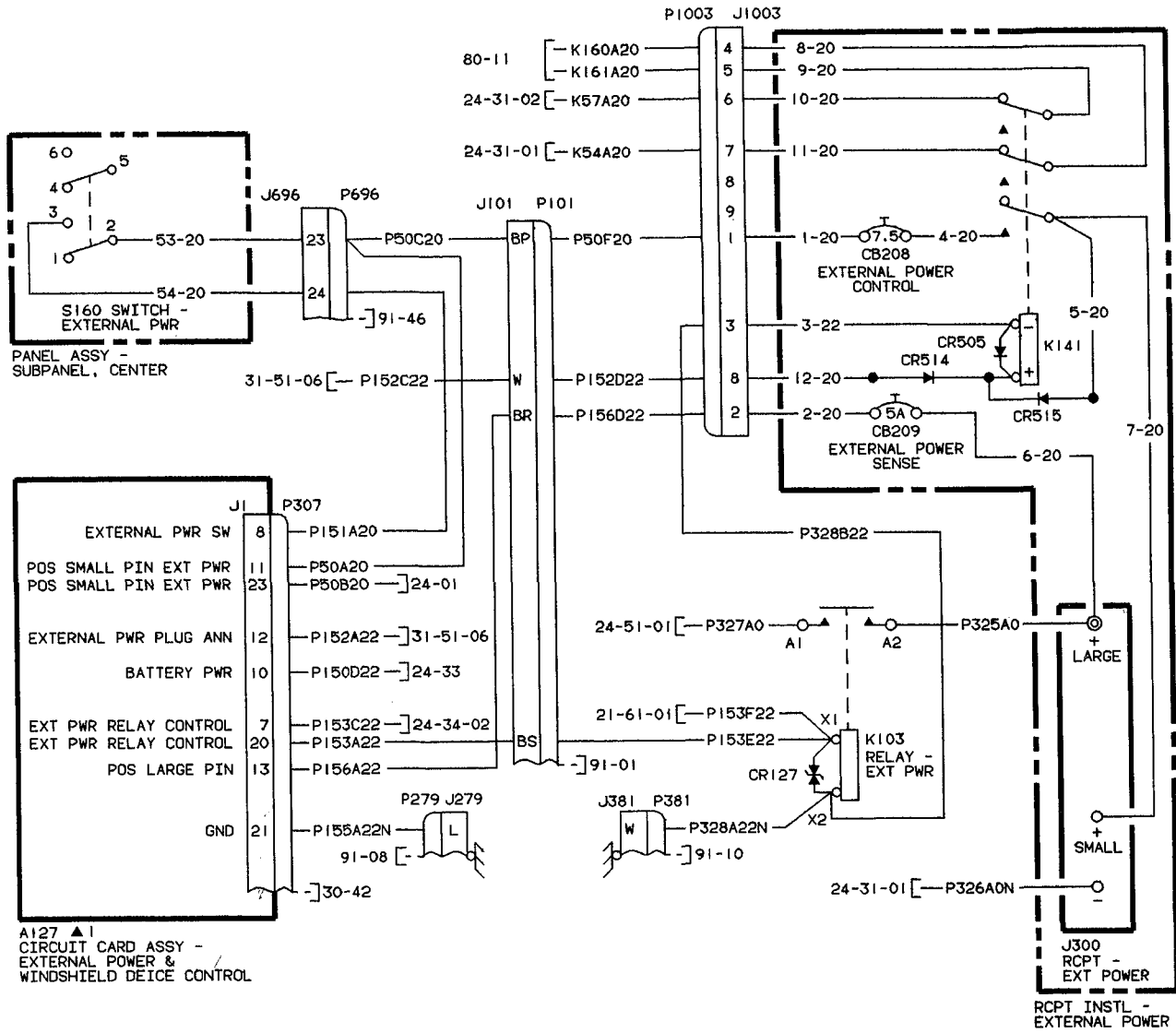
**Beechcraft**  
**STARSHIP 1**  
**WIRING DIAGRAM MANUAL**

# **24-41-00**

## **Configuration 1**

**NC-4 THRU NC-29**

# Beechcraft STARSHIP 1 WIRING DIAGRAM MANUAL



**EXTERNAL POWER-AFT FUSELAGE (WITHOUT KIT 122-3002)  
(Configuration 1)**

**Beechcraft**  
**STARSHIP 1**  
**WIRING DIAGRAM MANUAL**

REFERENCE DESIGNATOR	PART NUMBER	DESCRIPTION	USABLE	
			INSTL ZONE	ON CODE
<b>24-41-00</b> <b>(Configuration 1 )</b>				
A127	122-364030-5	CIRCUIT CARD ASSY-EXTERNAL POWER	237	1
A127J1	DBM25PD	RCPT	237	1
CB208	131984-7	CB-EXTERNAL POWER CONTROL	556	1
CB209	131984-5	CB-EXTERNAL POWER SENSE	556	1
CR127	100-361045-1	TRANSZORB ASSY	556	1
CR505	1N4007	DIODE	556	1
CR514	1N4007	DIODE	556	1
CR515	1N4007	DIODE	556	1
J1003	207439-1	RCPT	556	1
J300	MS3506-1	RCPT-EXTERNAL POWER	556	1
K103	6041H279	RELAY-EXTERNAL POWER	556	1
K141	FCA325-45	RELAY-STARTER LOCKOUT	556	1
P1003	207440-1	PLUG	556	1
P307	13016BSM-25S	PLUG	237	1
S160	112-TN91-3	SW-EXTERNAL POWER	242	1

**EFFECTIVITY CODE**

1. NC-4 THRU NC-29

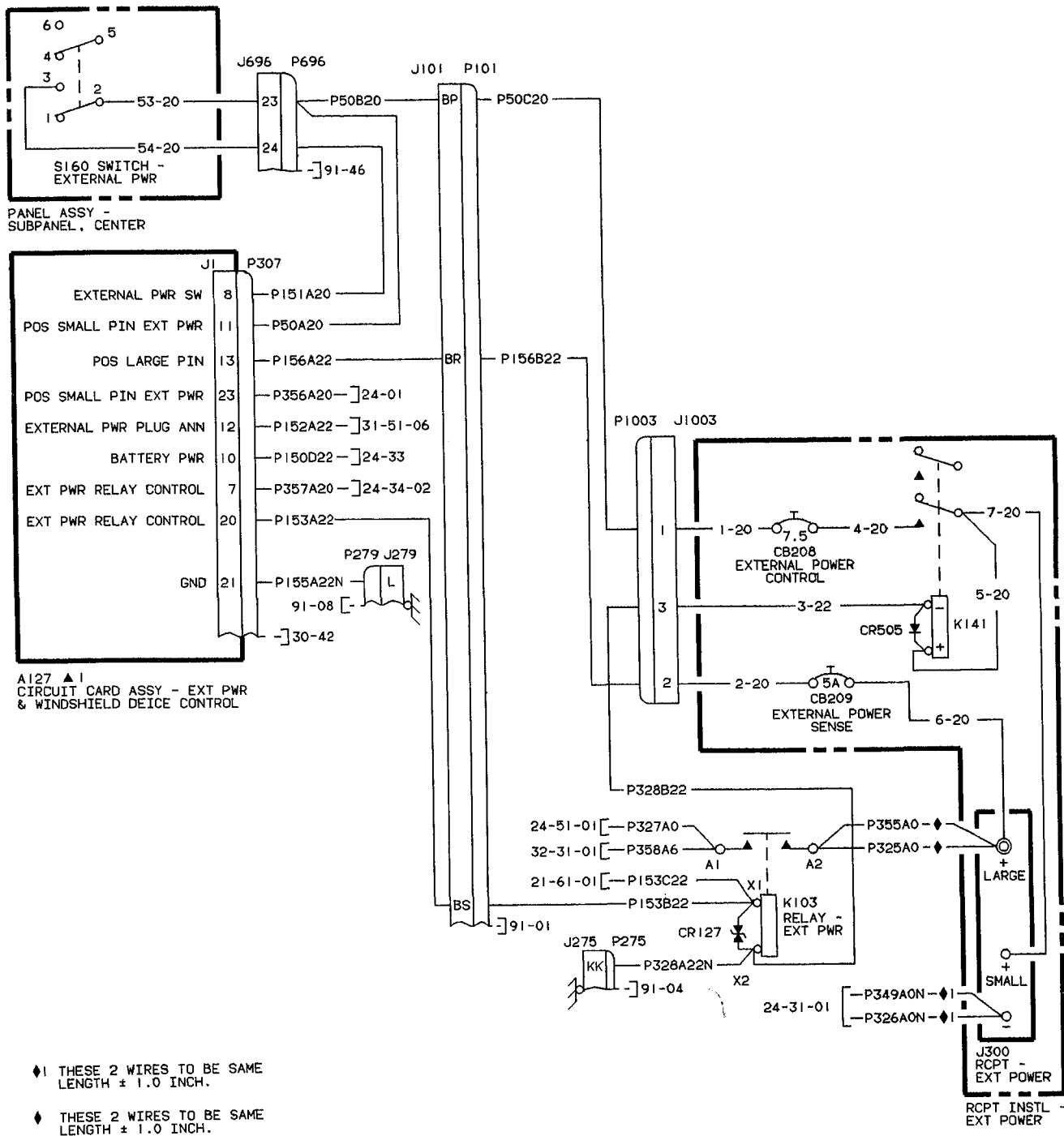
**Beechcraft**  
**STARSHIP 1**  
**WIRING DIAGRAM MANUAL**

# **24-41-01**

## **Configuration 2**

**NC-30 & AFTER**

# Beechcraft STARSHIP 1 WIRING DIAGRAM MANUAL



**EXTERNAL POWER-LEFT MAIN WING  
(Configuration 2)**



Beechcraft  
**STARSHIP 1**  
**WIRING DIAGRAM MANUAL**

REFERENCE DESIGNATOR	PART NUMBER	DESCRIPTION	USABLE	
			INSTL ZONE	ON CODE
<b>24-41-01</b>				
<b>(Configuration 2 )</b>				
A127	122-364030-5	CIRCUIT CARD ASSY-EXTERNAL POWER	237	1
A127J1	DBM25PD	RCPT	237	1
CB208	131984-7	CB-EXTERNAL POWER CONTROL	556	1
CB209	131984-5	CB-EXTERNAL POWER SENSE	556	1
CR127	100-361045-1	TRANSZORB ASSY	556	1
CR505	1N4007	DIODE	556	1
J1003	207439-1	RCPT	556	1
J300	MS3506-1	RCPT-EXTERNAL POWER	556	1
K103	6041H279	RELAY-EXTERNAL POWER	556	1
K141	FCA325-45	RELAY-STARTER LOCKOUT	556	1
P1003	207440-1	PLUG	556	1
P307	13016BSM-25S	PLUG	237	1
S160	112-TN91-3	SW-EXTERNAL POWER	242	1

**EFFECTIVITY CODE**

1. NC-30 & AFTER

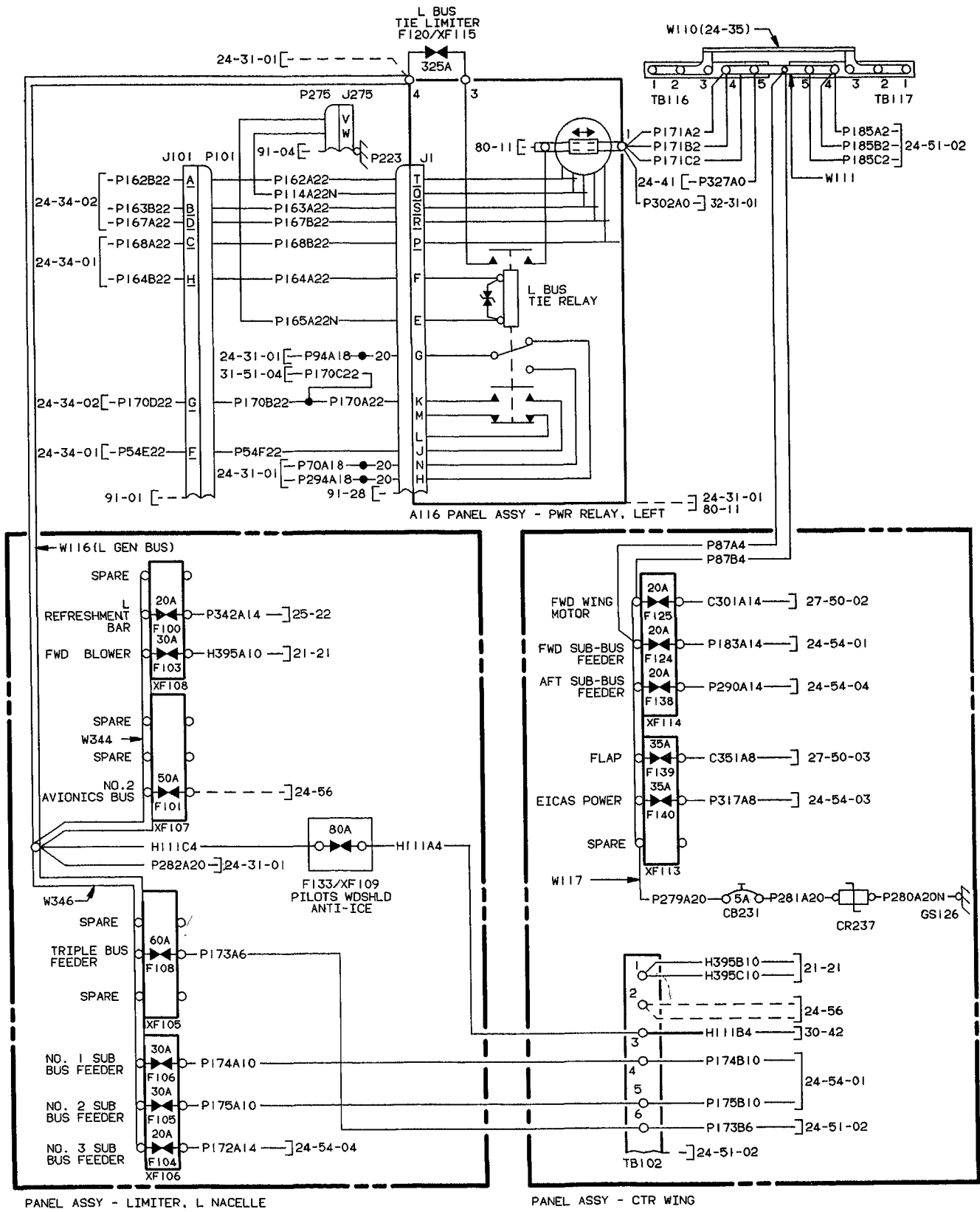
**Beechcraft**  
**STARSHIP 1**  
**WIRING DIAGRAM MANUAL**

# **24-51-01**

## **Configuration 1**

**NC-4 THRU NC-29**

# Beechcraft STARSHIP 1 WIRING DIAGRAM MANUAL



**ELECTRIC LOAD DISTRIBUTION-L DC GENERATOR & CENTER BUS  
(Configuration 1)**

**Beechcraft**  
**STARSHIP 1**  
**WIRING DIAGRAM MANUAL**

REFERENCE DESIGNATOR	PART NUMBER	DESCRIPTION	USABLE	
			INSTL ZONE	ON CODE
<b>24-51-01</b> <b>(Configuration 1 )</b>				
CB231	131984-5	CB-LIGHTNING PROTECTION	547	1
CR237	122-380062-5	VARISTOR-TRANSIENT VOLTAGE PROTECTION	547	1
F100	ACH-20	LIMITER-L REFRESHMENT BAR	583	1
F101	ACH-50	LIMITER-AVIONICS #2 BUS FEEDER	583	1
F103	ACH-30	LIMITER-FWD BLOWER	583	1
F104	ACH-20	LIMITER-SUB-BUS FEEDER,NO.3	583	1
F105	ACH-30	LIMITER-SUB-BUS FEEDER,NO.2	583	1
F106	ACH-30	LIMITER-SUB-BUS FEEDER,NO.1	583	1
F108	ACH-60	LIMITER-TRIPLE BUS FEEDER	583	1
F120	ANL-M-400	LIMITER-L BUS TIE	583	1
F124	ACH-20	LIMITER-FWD SUB-BUS FEEDER	547	1
F125	ACH-20	LIMITER-FWD WING MOTOR	547	1
F133	ANL-M-80	LIMITER-PILOT WINDSHIELD ANTI-ICE	583	1
F138	ACH-20	LIMITER-AFT SUB-BUS FEEDER	547	1
F139	ACH-35	LIMITER-FLAP	547	1
F140	ACH-35	LIMITER-EICAS POWER	547	1
GS126	131270-3	GROUND STUD	547	1
TB102	MS27212-2-15	TERMINAL BOARD	547	1
W116	122-361014-81	BUS BAR	583	1
W117	122-361014-85	BUS BAR	547	1
W344	122-361014-53	BUS BAR	583	1
W346	122-361014-53	BUS BAR	583	1
XF105	3968	LIMITER BASE	583	1
XF106	3967	LIMITER BASE	583	1
XF107	3968	LIMITER BASE	583	1
XF108	3967	LIMITER BASE	583	1
XF109	EM103	LIMITER BASE-PILOT WINDSHIELD ANTI-ICE	583	1
XF113	3968	LIMITER BASE	547	1
XF114	3967	LIMITER BASE	547	1
XF117	EM103	LIMITER BASE-PILOT WINDSHIELD ANTI-ICE	683	1

**EFFECTIVITY CODE**

1. NC-4 THRU NC-29

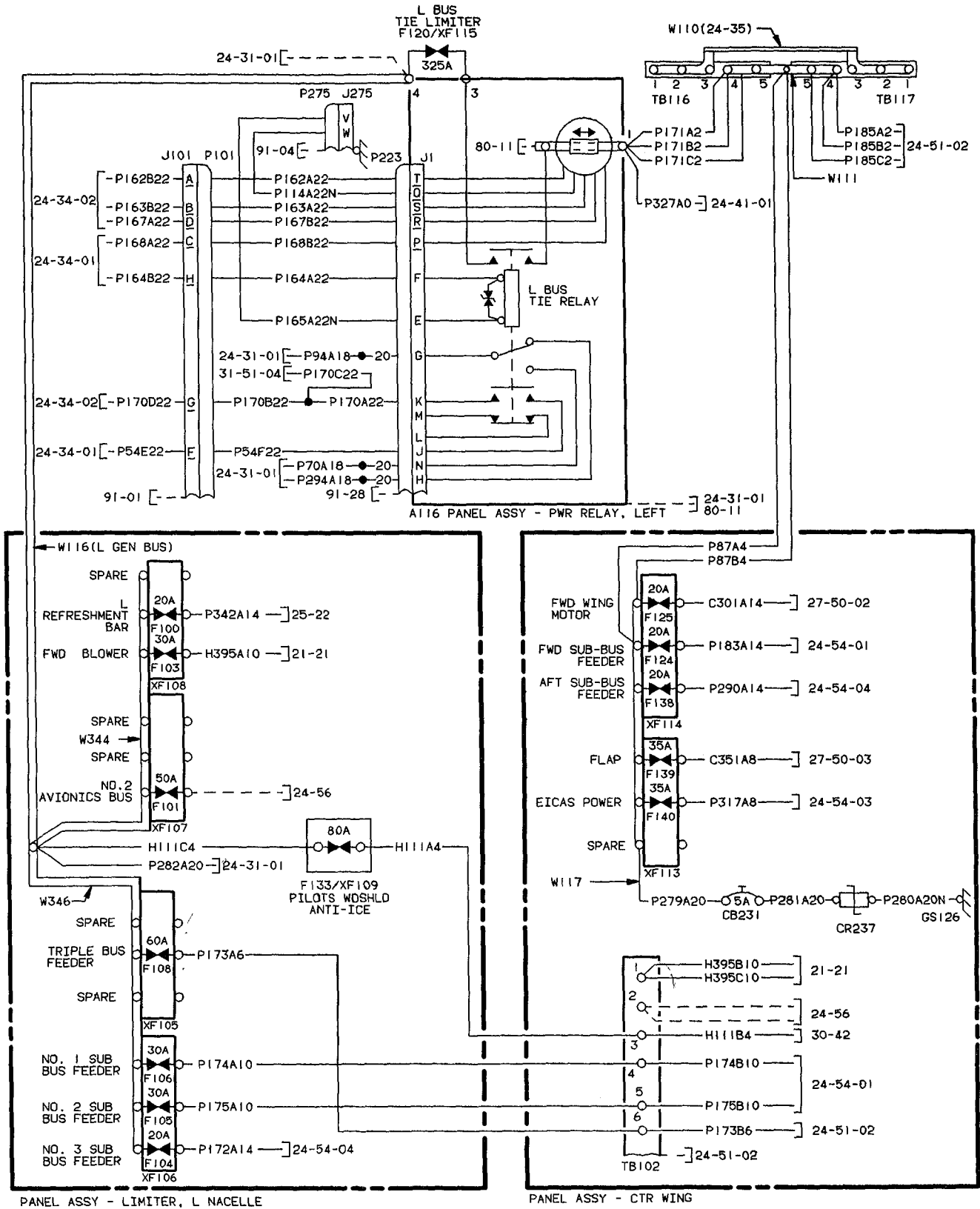
**Beechcraft**  
**STARSHIP 1**  
**WIRING DIAGRAM MANUAL**

# **24-51-01**

## **Configuration 2**

**NC-30 THRU NC-35**

# Beechcraft STARSHIP 1 WIRING DIAGRAM MANUAL



**ELECTRIC LOAD DISTRIBUTION-L DC GENERATOR & CENTER BUS  
(Configuration 2)**

**Beechcraft**  
**STARSHIP 1**  
**WIRING DIAGRAM MANUAL**

REFERENCE DESIGNATOR	PART NUMBER	DESCRIPTION	USABLE INSTL ON ZONE CODE
<b>24-51-01</b>			
<b>(Configuration 2 )</b>			
CB231	131984-5	CB-LIGHTNING PROTECTION	547 1
CR237	122-380062-5	VARISTOR-TRANSIENT VOLTAGE PROTECTION	547 1
F100	ACH-20	LIMITER-L REFRESHMENT BAR	583 1
F101	ACH-50	LIMITER-AVIONICS #2 BUS FEEDER	583 1
F103	ACH-30	LIMITER-FWD BLOWER	583 1
F104	ACH-20	LIMITER-SUB-BUS FEEDER,NO.3	583 1
F105	ACH-30	LIMITER-SUB-BUS FEEDER,NO.2	583 1
F106	ACH-30	LIMITER-SUB-BUS FEEDER,NO.1	583 1
F108	ACH-60	LIMITER-TRIPLE BUS FEEDER	583 1
F120	ANL-M-400	LIMITER-L BUS TIE	583 1
F124	ACH-20	LIMITER-FWD SUB-BUS FEEDER	547 1
F125	ACH-20	LIMITER-FWD WING MOTOR	547 1
F133	ANL-M-80	LIMITER-PILOT WINDSHIELD ANTI-ICE	583 1
F138	ACH-20	LIMITER-AFT SUB-BUS FEEDER	547 1
F139	ACH-35	LIMITER-FLAP	547 1
F140	ACH-35	LIMITER-EICAS POWER	547 1
GS126	131270-3	GROUND STUD	547 1
TB102	MS27212-2-15	TERMINAL BOARD	547 1
W116	122-361014-81	BUS BAR	583 1
W117	122-361014-85	BUS BAR	547 1
W344	122-361014-53	BUS BAR	583 1
W346	122-361014-53	BUS BAR	583 1
XF105	3968	LIMITER BASE	583 1
XF106	3967	LIMITER BASE	583 1
XF107	3968	LIMITER BASE	583 1
XF108	3967	LIMITER BASE	583 1
XF109	EM103	LIMITER BASE-PILOT WINDSHIELD ANTI-ICE	583 1
XF113	3968	LIMITER BASE	547 1
XF114	3967	LIMITER BASE	547 1
XF117	EM103	LIMITER BASE-PILOT WINDSHIELD ANTI-ICE	683 1

**EFFECTIVITY CODE**

1. NC-30 THRU NC-35

**Beechcraft**  
**STARSHIP 1**  
**WIRING DIAGRAM MANUAL**

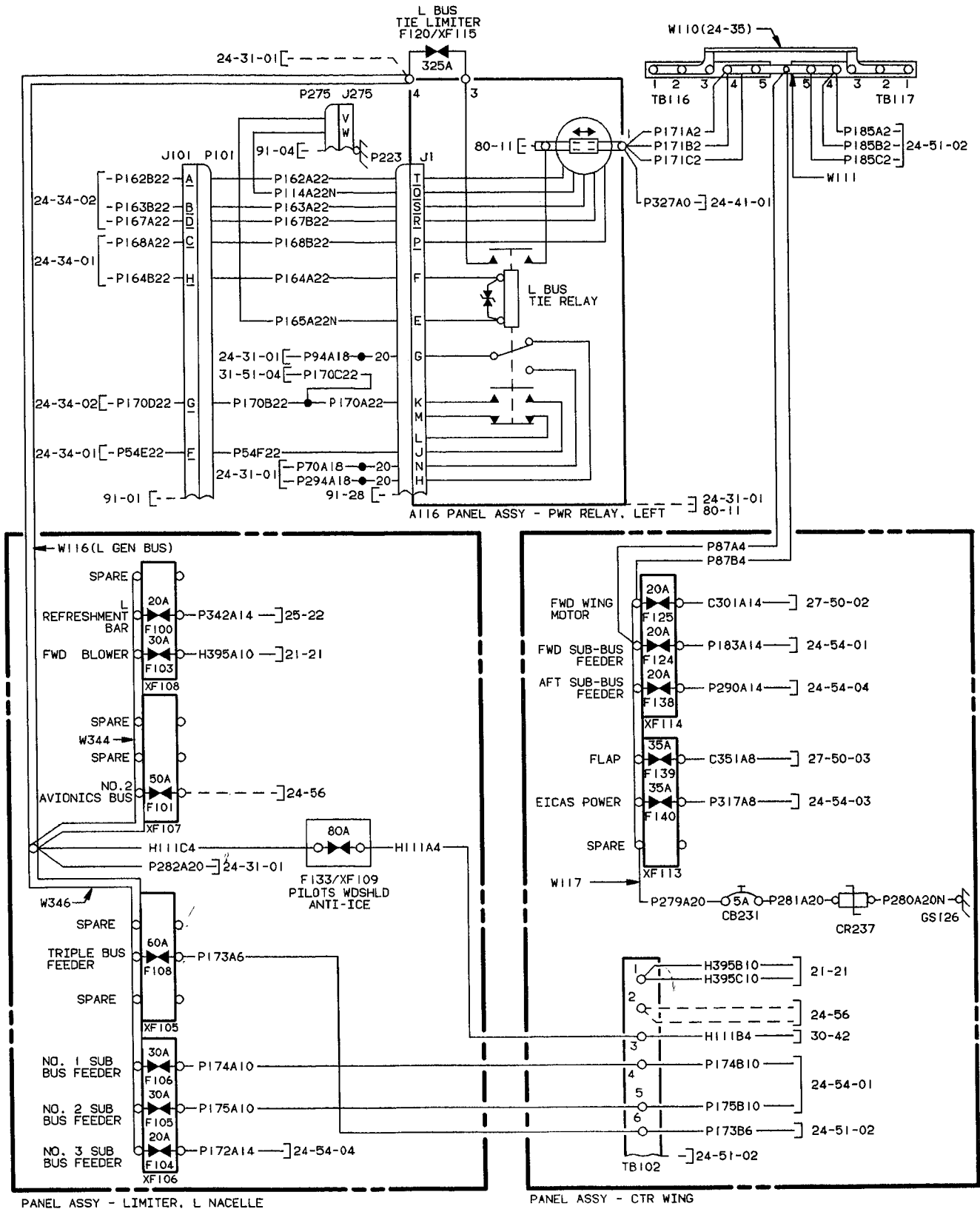
# **24-51-01**

## **Configuration 3**

**NC-36 & AFTER**



# Beechcraft STARSHIP 1 WIRING DIAGRAM MANUAL



**ELECTRIC LOAD DISTRIBUTION-L DC GENERATOR & CENTER BUS  
(Configuration 3)**

**Beechcraft**  
**STARSHIP 1**  
**WIRING DIAGRAM MANUAL**

REFERENCE DESIGNATOR	PART NUMBER	DESCRIPTION	USABLE	
			INSTL ZONE	ON CODE
<b>24-51-01 (Configuration 3 )</b>				
CB231	131984-5	CB-LIGHTNING PROTECTION	547	1
CR237	122-380062-5	VARISTOR-TRANSIENT VOLTAGE PROTECTION	547	1
F100	ACH-20	LIMITER-L REFRESHMENT BAR	583	1
F101	ACH-50	LIMITER-AVIONICS #2 BUS FEEDER	583	1
F103	ACH-30	LIMITER-FWD BLOWER	583	1
F104	ACH-20	LIMITER-SUB-BUS FEEDER,NO.3	583	1
F105	ACH-30	LIMITER-SUB-BUS FEEDER,NO.2	583	1
F106	ACH-30	LIMITER-SUB-BUS FEEDER,NO.1	583	1
F108	ACH-60	LIMITER-TRIPLE BUS FEEDER	583	1
F120	ANL-M-400	LIMITER-L BUS TIE	583	1
F124	ACH-20	LIMITER-FWD SUB-BUS FEEDER	547	1
F125	ACH-20	LIMITER-FWD WING MOTOR	547	1
F133	ANL-M-80	LIMITER-PILOT WINDSHIELD ANTI-ICE	583	1
F138	ACH-20	LIMITER-AFT SUB-BUS FEEDER	547	1
F139	ACH-35	LIMITER-FLAP	547	1
F140	ACH-35	LIMITER-EICAS POWER	547	1
GS126	131270-3	GROUND STUD	547	1
TB102	MS27212-2-15	TERMINAL BOARD	547	1
W116	122-361014-81	BUS BAR	583	1
W117	122-361014-85	BUS BAR	547	1
W344	122-361014-53	BUS BAR	583	1
W346	122-361014-53	BUS BAR	583	1
XF105	3968	LIMITER BASE	583	1
XF106	3967	LIMITER BASE	583	1
XF107	3968	LIMITER BASE	583	1
XF108	3967	LIMITER BASE	583	1
XF109	EM103	LIMITER BASE-PILOT WINDSHIELD ANTI-ICE	583	1
XF113	3968	LIMITER BASE	547	1
XF114	3967	LIMITER BASE	547	1
XF117	EM103	LIMITER BASE-PILOT WINDSHIELD ANTI-ICE	683	1

**EFFECTIVITY CODE**

1. NC-36 & AFTER

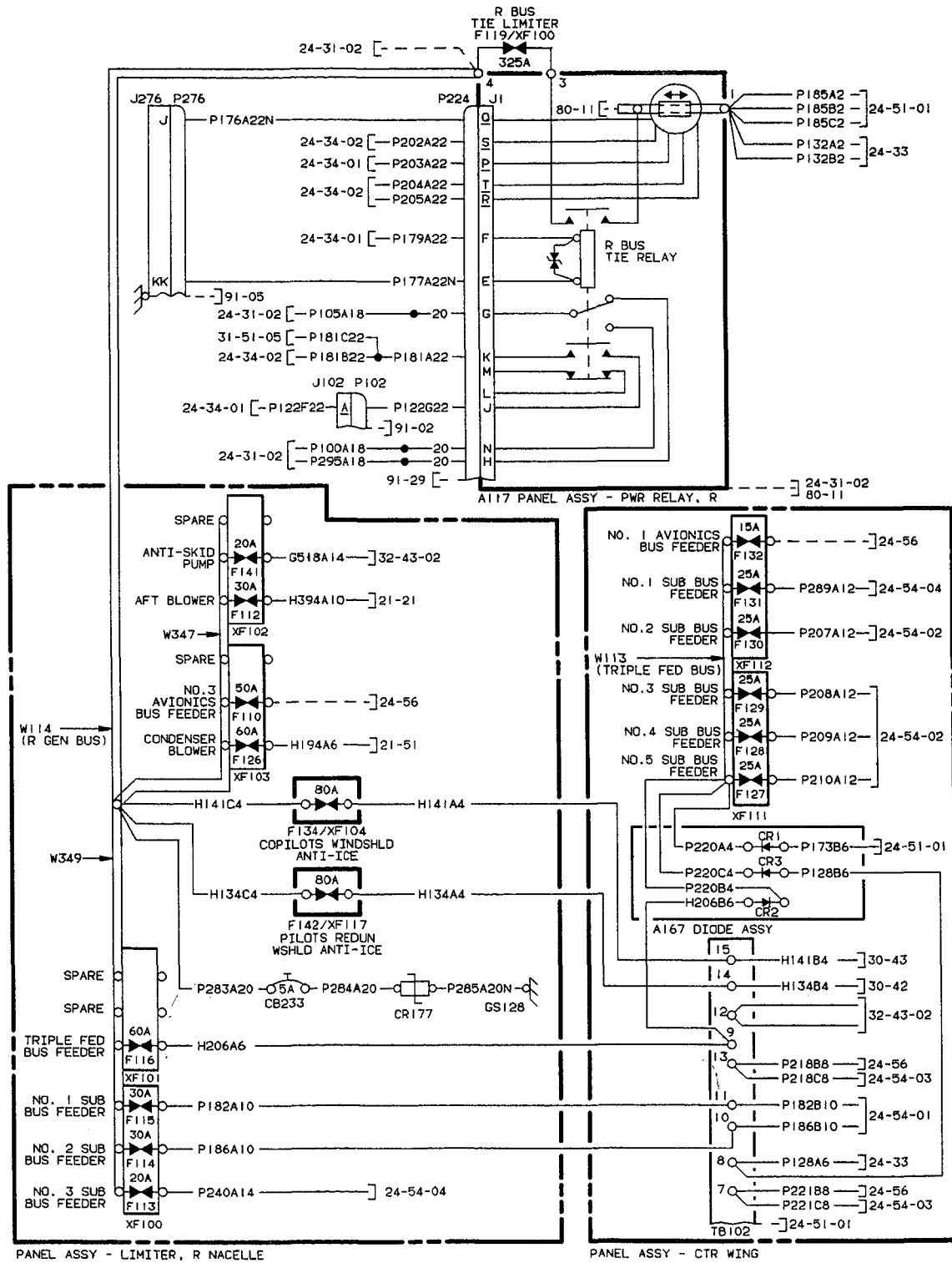
**Beechcraft**  
**STARSHIP 1**  
**WIRING DIAGRAM MANUAL**

# **24-51-02**

## **Configuration 1**

**NC-4 THRU NC-35**

# Beechcraft STARSHIP 1 WIRING DIAGRAM MANUAL



**ELECTRIC LOAD DISTRIBUTION-R DC GENERATOR & TRIPLE BUS  
(Configuration 1)**

**Beechcraft**  
**STARSHIP 1**  
**WIRING DIAGRAM MANUAL**

REFERENCE DESIGNATOR	PART NUMBER	DESCRIPTION	USABLE	
			INSTL ZONE	ON CODE
<b>24-51-02 (Configuration 1 )</b>				
A167	122-361019-15	DIODE ASSY	547	1
A167CR1	85HF100	DIODE	547	1
A167CR2	85HF100	DIODE	547	1
A167CR3	85HF100	DIODE	547	1
CB233	131984-5	CB-LIGHTNING PROTECTION	683	1
CR177	122-380062-5	VARISTOR-TRANSIENT VOLTAGE PROTECTION	683	1
F110	ACH-50	LIMITER-AVIONICS #3 BUS FEEDER	683	1
F112	ACH-30	LIMITER-AFT BLOWER	683	1
F113	ACH-20	LIMITER-SUB-BUS FEEDER,NO.3	683	1
F114	ACH-30	LIMITER-SUB-BUS FEEDER,NO.2	683	1
F115	ACH-30	LIMITER-SUB-BUS FEEDER,NO.1	683	1
F116	ACH-60	LIMITER-TRIPLE FED BUS FEEDER	683	1
F119	ANL-M-400	LIMITER-R BUS TIE	683	1
F126	ACH-60	LIMITER-CONDENSER BLOWER	683	1
F127	ACH-25	LIMITER-SUB-BUS FEEDER,NO.5	547	1
F128	ACH-25	LIMITER-SUB-BUS FEEDER,NO.4	547	1
F129	ACH-25	LIMITER-SUB-BUS FEEDER,NO.3	547	1
F130	ACH-25	LIMITER-SUB-BUS FEEDER,NO.2	547	1
F131	ACH-25	LIMITER-SUB-BUS FEEDER,NO.1	547	1
F132	ACH-15	LIMITER-AVIONICS #1 FEEDER	547	1
F134	ANL-M-80	LIMITER-COPILOT WINDSHIELD ANTI-ICE	683	1
F141	ACH-20	LIMITER-ANTI-SKID POWER	683	1
F142	ANL-M-80	LIMITER-PILOT REDUNDANT WINDSHIELD ANTI-ICE	683	1
GS128	131270-3	GROUND STUD	683	1
W113	122-361014-83	BUS BAR	547	1
W114	122-361014-89	BUS BAR	683	1
W347	122-361014-53	BUS BAR	683	1
W349	122-361014-53	BUS BAR	683	1
XF100	3967	LIMITER BASE	683	1
XF101	3968	LIMITER BASE	683	1
XF102	3967	LIMITER BASE	683	1
XF103	3968	LIMITER BASE	683	1
XF104	EM103	LIMITER BASE-WINDSHIELD HEAT	683	1
XF111	3967	LIMITER BASE	547	1
XF112	3967	LIMITER BASE	547	1

**EFFECTIVITY CODE**

1. NC-4 THRU NC-35

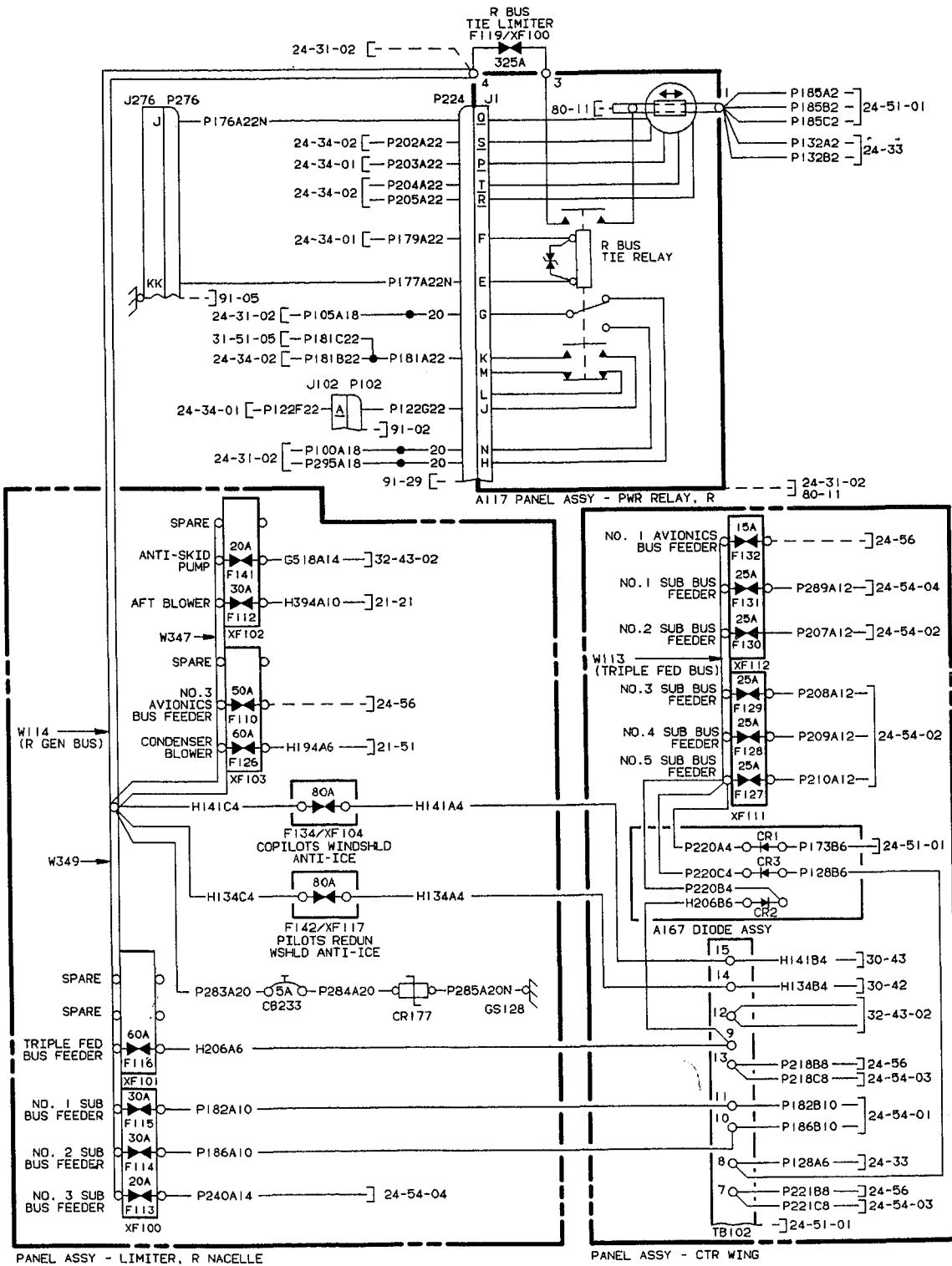
**Beechcraft**  
**STARSHIP 1**  
**WIRING DIAGRAM MANUAL**

# **24-51-02**

## **Configuration 2**

**NC-36 & AFTER**

# Beechcraft STARSHIP 1 WIRING DIAGRAM MANUAL



**ELECTRIC LOAD DISTRIBUTION-R DC GENERATOR & TRIPLE BUS  
(Configuration 2)**

**Beechcraft**  
**STARSHIP 1**  
**WIRING DIAGRAM MANUAL**

REFERENCE DESIGNATOR	PART NUMBER	DESCRIPTION	USABLE	
			INSTL ZONE	ON CODE
24-51-02 (Configuration 2 )				
A167	122-361019-15	DIODE ASSY	547	1
A167CR1	85HF100	DIODE	547	1
A167CR2	85HF100	DIODE	547	1
A167CR3	85HF100	DIODE	547	1
CB233	131984-5	CB-LIGHTNING PROTECTION	683	1
CR177	122-380062-5	VARISTOR-TRANSIENT VOLTAGE PROTECTION	683	1
F110	ACH-50	LIMITER-AVIONICS #3 BUS FEEDER	683	1
F112	ACH-30	LIMITER-AFT BLOWER	683	1
F113	ACH-20	LIMITER-SUB-BUS FEEDER,NO.3	683	1
F114	ACH-30	LIMITER-SUB-BUS FEEDER,NO.2	683	1
F115	ACH-30	LIMITER-SUB-BUS FEEDER,NO.1	683	1
F116	ACH-60	LIMITER-TRIPLE FED BUS FEEDER	683	1
F119	ANL-M-400	LIMITER-R BUS TIE	683	1
F126	ACH-60	LIMITER-CONDENSER BLOWER	683	1
F127	ACH-25	LIMITER-SUB-BUS FEEDER,NO.5	547	1
F128	ACH-25	LIMITER-SUB-BUS FEEDER,NO.4	547	1
F129	ACH-25	LIMITER-SUB-BUS FEEDER,NO.3	547	1
F130	ACH-25	LIMITER-SUB-BUS FEEDER,NO.2	547	1
F131	ACH-25	LIMITER-SUB-BUS FEEDER,NO.1	547	1
F132	ACH-15	LIMITER-AVIONICS #1 FEEDER	547	1
F134	ANL-M-80	LIMITER-COPILOT WINDSHIELD ANTI-ICE	683	1
F141	ACH-20	LIMITER-ANTI-SKID POWER	683	1
F142	ANL-M-80	LIMITER-PILOT REDUNDANT WINDSHIELD ANTI-ICE	683	1
GS128	131270-3	GROUND STUD	683	1
W113	122-361014-83	BUS BAR	547	1
W114	122-361014-89	BUS BAR	683	1
W347	122-361014-53	BUS BAR	683	1
W349	122-361014-53	BUS BAR	683	1
XF100	3967	LIMITER BASE	683	1
XF101	3968	LIMITER BASE	683	1
XF102	3967	LIMITER BASE	683	1
XF103	3968	LIMITER BASE	683	1
XF104	EM103	LIMITER BASE-WINDSHIELD HEAT	683	1
XF111	3967	LIMITER BASE	547	1
XF112	3967	LIMITER BASE	547	1

**EFFECTIVITY CODE**

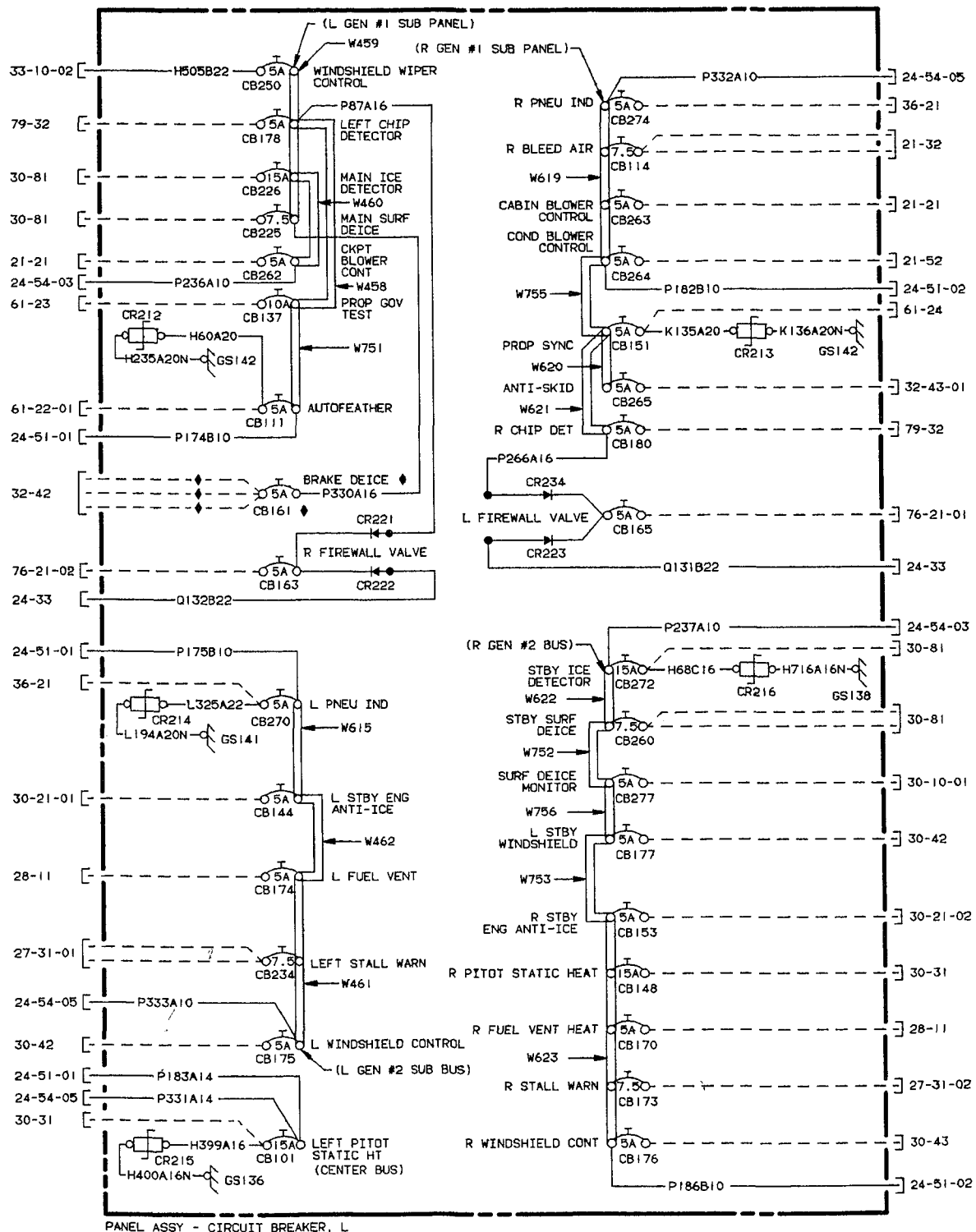
1. NC-36 & AFTER



Beechcraft  
STARSHIP 1  
WIRING DIAGRAM MANUAL

**24-54-01**

# Beechcraft STARSHIP 1 WIRING DIAGRAM MANUAL



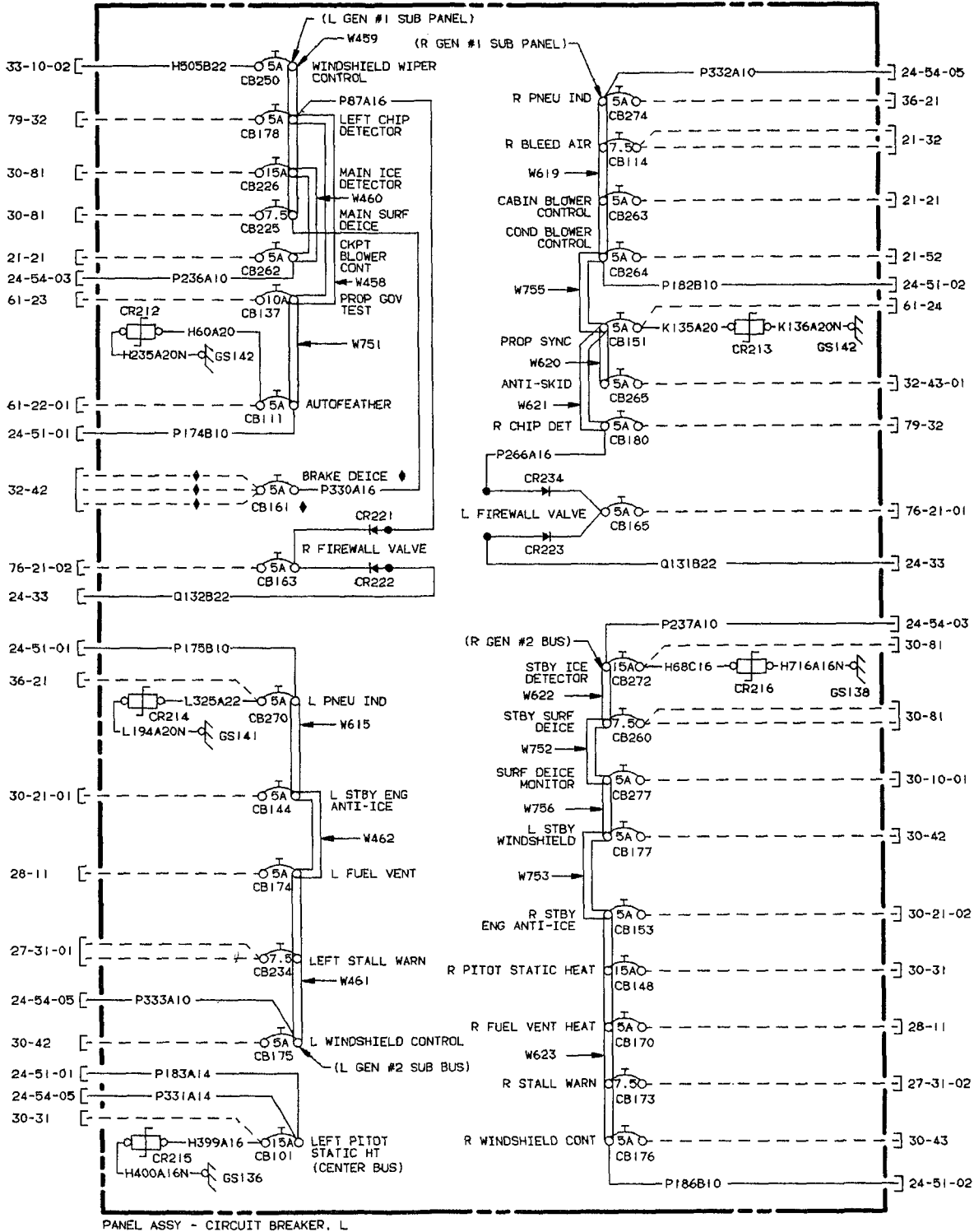
♦ OPTIONAL EQPT AS REQD BY ACFT WORK ORDER. IF EQPT IS NOT INSTALLED, CAP & STOW THESE MATING WIRES.

## ELECTRIC LOAD DISTRIBUTION-CIRCUIT BREAKER PANEL, LEFT (OPTIONAL)

**Beechcraft**  
**STARSHIP 1**  
**WIRING DIAGRAM MANUAL**

REFERENCE DESIGNATOR	PART NUMBER	DESCRIPTION	USABLE	
			INSTL	ON ZONE CODE
<b>24-54-01</b>				
CB101	131984-15	CB-LEFT PITOT STATIC HEAT		236
CB111	131984-5	CB-AUTOFEATHER		236
CB114	131984-7	CB-RIGHT BLEED AIR		236
CB137	131984-10	CB-PROPELLER GOVERNOR TEST		236
CB144	131984-5	CB-LEFT ENGINE STANDBY ANTI-ICE		236
CB148	131984-15	CB-RIGHT PITOT STATIC HEAT		236
CB151	131984-5	CB-PROP SYNCHROPHASER		236
CB153	131984-5	CB-RIGHT ENGINE STANDBY ANTI-ICE		236
CB161	131984-5	CB-BRAKE DEICE		236
CB163	131984-5	CB-RIGHT FIREWALL VALVE		236
CB165	131984-5	CB-LEFT FIREWALL VALVE		236
CB170	131984-5	CB-RIGHT FUEL VENT HEAT		236
CB173	131984-7	CB-RIGHT STALL WARN HEAT		236
CB174	131984-5	CB-LEFT FUEL VENT HEAT		236
CB175	131984-5	CB-LEFT WINDSHIELD CONTROL		236
CB176	131984-5	CB-RIGHT WINDSHIELD CONTROL		236
CB177	131984-5	CB-LEFT WINDSHIELD STANDBY ANTI-ICE		236
CB178	131984-5	CB-LEFT CHIP DETECTOR		236
CB180	131984-5	CB-RIGHT CHIP DETECTOR		236
CB225	131984-7	CB-MAIN SURFACE DEICE		236
CB226	131984-15	CB-MAIN ICE DETECTOR		236
CB234	131984-7	CB-LEFT STALL WARNING HEAT		236
CB250	131984-5	CB-WINDSHIELD WIPER CONTROL		236
CB260	131984-7	CB-STANDBY SURFACE DEICE		236
CB262	131984-5	CB-COCKPIT BLOWER CONTROL		236
CB263	131984-5	CB-CABIN BLOWER CONTROL		236
CB264	131984-5	CB-CONDENSER BLOWER CONTROL		236
CB265	131984-5	CB-ANTI-SKID CONTROL		236
CB270	131984-5	CB-LEFT PNEUMATIC INDICATOR		236
CB272	131984-15	CB-STANDBY ICE DETECTOR		236
CB274	131984-5	CB-RIGHT PNEUMATIC INDICATOR		236
CB277	131984-5	CB-SURFACE DEICE MONITOR		236
CR212	122-380062-1	VARISTOR-TRANSIENT VOLTAGE PROTECTION		236
CR213	122-380062-1	VARISTOR-TRANSIENT VOLTAGE PROTECTION		236
CR214	122-380062-1	VARISTOR-TRANSIENT VOLTAGE PROTECTION		236
CR215	122-380062-1	VARISTOR-TRANSIENT VOLTAGE PROTECTION		236
CR216	122-380062-1	VARISTOR-TRANSIENT VOLTAGE PROTECTION		236
CR221	MR510	DIODE		236
CR222	MR510	DIODE		236
CR223	MR510	DIODE		236
CR234	MR510	DIODE		236
GS136	MS24698-S23	GROUND STUD		236
GS138	MS24698-S23	GROUND STUD		236
GS141	MS24698-S23	GROUND STUD		236
GS142	MS24698-S23	GROUND STUD		236
W458	122-322184-43	BUS BAR		236
W459	122-322187-135	BUS BAR		236
W460	122-322187-129	BUS BAR		236

# Beechcraft STARSHIP 1 WIRING DIAGRAM MANUAL



♦ OPTIONAL EQPT AS REQD BY ACFT WORK ORDER. IF EQPT IS NOT INSTALLED, CAP & STOW THESE MATING WIRES.

## ELECTRIC LOAD DISTRIBUTION-CIRCUIT BREAKER PANEL, LEFT (OPTIONAL)

**Beechcraft**  
**STARSHIP 1**  
**WIRING DIAGRAM MANUAL**

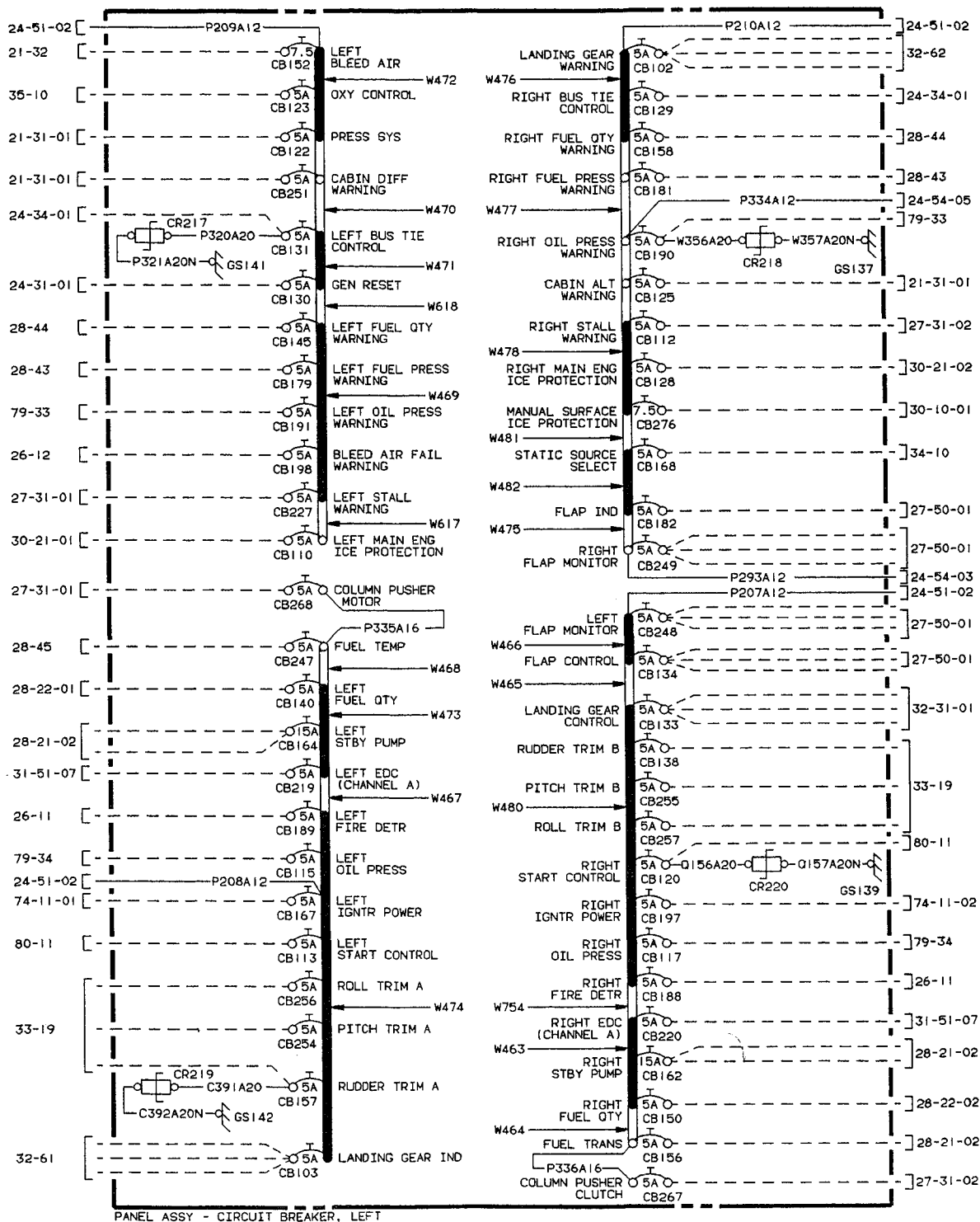
REFERENCE DESIGNATOR	PART NUMBER	DESCRIPTION	USABLE INSTL ON ZONE CODE
24-54-01			
W461	50-369101-207	BUS BAR	236
W462	122-322184-31	BUS BAR	236
W615	122-322184-33	BUS BAR	236
W619	122-322184-113	BUS BAR	236
W620	50-369101-205	BUS BAR	236
W621	122-322184-73	BUS BAR	236
W622	50-369101-205	BUS BAR	236
W623	50-369101-225	BUS BAR	236
W751	50-369101-205	BUS BAR	236
W752	122-322184-33	BUS BAR	236
W753	122-322184-127	BUS BAR	236
W755	122-322184-113	BUS BAR	236
W756	50-369101-205	BUS BAR	236

**EFFECTIVITY CODE**

**Beechcraft**  
**STARSHIP 1**  
**WIRING DIAGRAM MANUAL**

**24-54-02**

# Beechcraft STARSHIP 1 WIRING DIAGRAM MANUAL



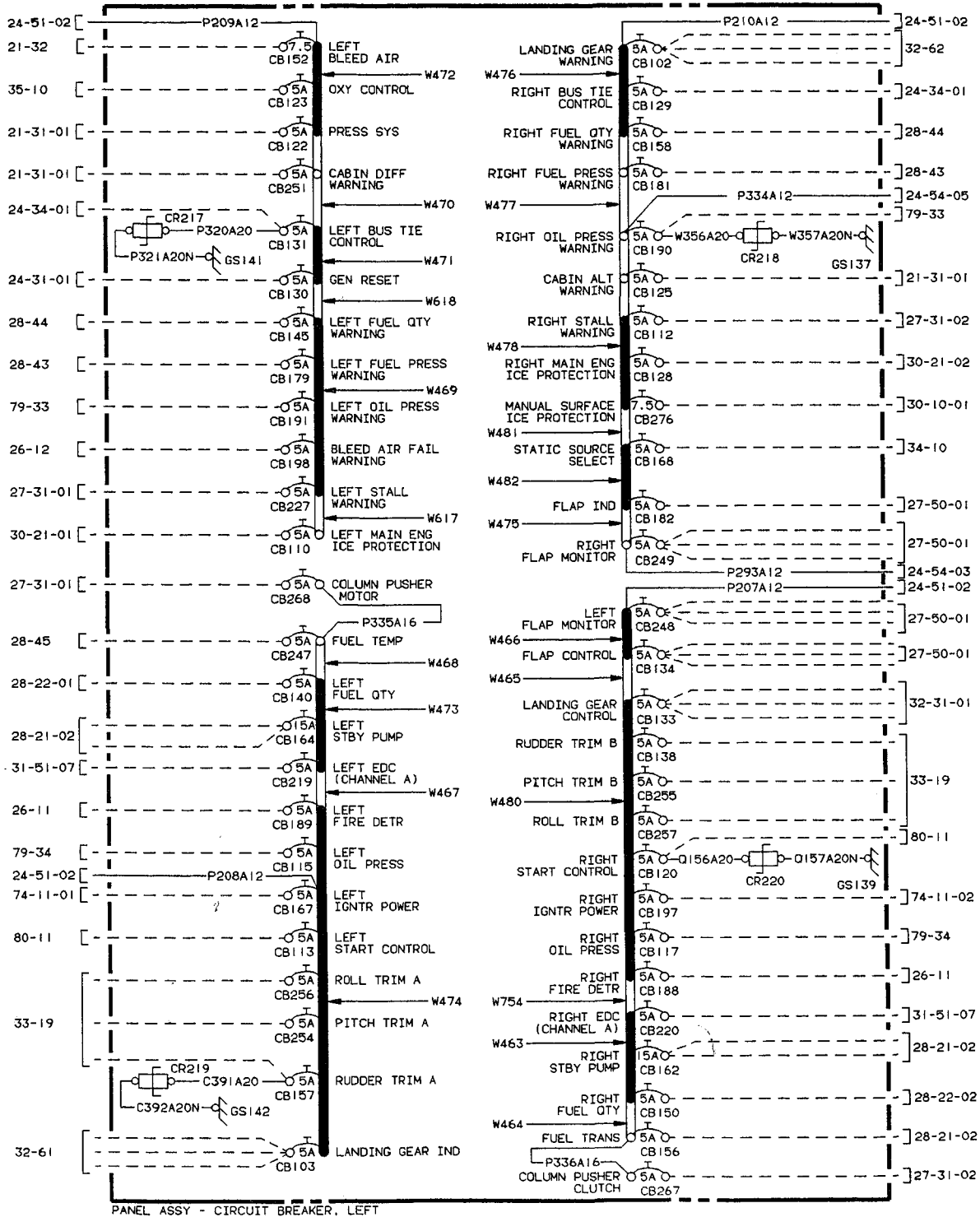
**ELECTRIC LOAD DISTRIBUTION-CIRCUIT BREAKER PANEL, LEFT**

**Beechcraft**  
**STARSHIP 1**  
**WIRING DIAGRAM MANUAL**

REFERENCE DESIGNATOR	PART NUMBER	DESCRIPTION	USABLE	
			INSTL ZONE	ON CODE
24-54-02				
CB102	131984-5	CB-LDG GR WARNING HORN		236
CB103	131984-5	CB-LDG GR INDICATOR		236
CB110	131984-5	CB-LEFT ENGINE MAIN ANTI-ICE		236
CB112	131984-5	CB-RIGHT STALL WARN CONTROL		236
CB113	131984-5	CB-LEFT START CONTROL		236
CB115	131984-5	CB-LEFT OIL PRESSURE		236
CB117	131984-5	CB-RIGHT OIL PRESSURE		236
CB120	131984-5	CB-RIGHT START CONTROL		236
CB122	131984-5	CB-PRESSURE SYSTEM		236
CB123	131984-5	CB-OXYGEN CONTROL		236
CB125	131984-5	CB-CABIN ALTITUDE WARN		236
CB128	131984-5	CB-RIGHT ENG MAIN ANTI-ICE		236
CB129	131984-5	CB-RIGHT BUS TIE CONTROL		236
CB130	131984-5	CB-GENERATOR RESET		236
CB131	131984-5	CB-LEFT BUS TIE CONTROL		236
CB133	131984-5	CB-LANDING GEAR CONTROL		236
CB134	131984-5	CB-FLAP CONTROL		236
CB138	131984-5	CB-RUDDER TRIM B		236
CB140	131984-5	CB-LEFT FUEL QUANTITY		236
CB145	131984-5	CB-LEFT FUEL QUANTITY WARN		236
CB150	131984-5	CB-RIGHT FUEL QUANTITY INDICATOR		236
CB152	131984-7	CB-LEFT BLEED AIR		236
CB156	131984-5	CB-FUEL TRANSFER		236
CB157	131984-5	CB-RUDDER TRIM A		236
CB158	131984-5	CB-RIGHT FUEL QUANTITY WARN		236
CB162	131984-15	CB-RIGHT STANDBY PUMP		236
CB164	131984-15	CB-LEFT STANDBY PUMP		236
CB167	131984-5	CB-LEFT IGNITION POWER		236
CB168	131984-5	CB-STATIC SOURCE SELECT		236
CB179	131984-5	CB-LEFT FUEL PRESSURE WARNING		236
CB181	131984-5	CB-RIGHT FUEL PRESSURE WARNING		236
CB182	131984-5	CB-FLAP INDICATOR		236
CB188	131984-5	CB-RIGHT FIRE DETECTOR		236
CB189	131984-5	CB-LEFT FIRE DETECTOR		236
CB190	131984-5	CB-RIGHT OIL PRESSURE WARN		236
CB191	131984-5	CB-LEFT OIL PRESSURE WARN		236
CB197	131984-5	CB-RIGHT IGNITION POWER		236
CB198	131984-5	CB-BLEED AIR FAIL WARNING		236
CB219	131984-5	CB-LEFT EDC CHANNEL A		236
CB220	131984-5	CB-RIGHT EDC CHANNEL A		236
CB227	131984-5	CB-LEFT STALL WARN CONTROL		236
CB247	131984-5	CB-FUEL TEMP		236
CB248	131984-5	CB-LEFT FLAP MONITOR		236
CB249	131984-5	CB-RIGHT FLAP MONITOR		236
CB251	131984-5	CB-CABIN DIFFERENTIAL PRESSURE WARN		236
CB254	131984-5	CB-PITCH TRIM A		236
CB255	131984-5	CB-PITCH TRIM B		236
CB256	131984-5	CB-ROLL TRIM A		236



# Beechcraft STARSHIP 1 WIRING DIAGRAM MANUAL



**ELECTRIC LOAD DISTRIBUTION-CIRCUIT BREAKER PANEL, LEFT**

Beechcraft  
STARSHIP 1  
WIRING DIAGRAM MANUAL

REFERENCE DESIGNATOR	PART NUMBER	DESCRIPTION	USABLE
			INSTL ON ZONE CODE
24-54-02			
CB257	131984-5	CB-ROLL TRIM B	236
CB267	131984-5	CB-STICK PUSHER CLUTCH	236
CB268	131984-5	CB-STICK PUSHER MOTOR	236
CB276	131984-7	CB-MANUAL SURFACE DEICE	236
CR217	122-380062-1	VARISTOR-TRANSIENT VOLTAGE PROTECTION	236
CR218	122-380062-1	VARISTOR-TRANSIENT VOLTAGE PROTECTION	236
CR219	122-380062-1	VARISTOR-TRANSIENT VOLTAGE PROTECTION	236
CR220	122-380062-1	VARISTOR-TRANSIENT VOLTAGE PROTECTION	236
GS137	MS24698-23S	GROUND STUD	236
GS139	MS24698-S23	GROUND STUD	236
GS141	MS24698-S23	GROUND STUD	236
GS142	MS24698-S23	GROUND STUD	236
W463	50-369101-207	BUS BAR	236
W464	122-322184-115	BUS BAR	236
W465	122-322184-115	BUS BAR	236
W466	50-369101-205	BUS BAR	236
W467	122-322184-119	BUS BAR	236
W468	122-322184-33	BUS BAR	236
W469	50-369101-225	BUS BAR	236
W470	122-322184-123	BUS BAR	236
W471	50-369101-205	BUS BAR	236
W472	50-369101-207	BUS BAR	236
W473	50-369101-207	BUS BAR	236
W474	50-369101-235	BUS BAR	236
W475	122-322184-27	BUS BAR	236
W476	122-322184-125	BUS BAR	236
W477	50-369101-225	BUS BAR	236
W478	122-322184-121	BUS BAR	236
W480	50-369101-235	BUS BAR	236
W481	122-322184-131	BUS BAR	236
W482	50-369101-205	BUS BAR	236
W617	122-322184-31	BUS BAR	236
W618	122-322184-43	BUS BAR	236
W754	122-322184-31	BUS BAR	236

EFFECTIVITY CODE

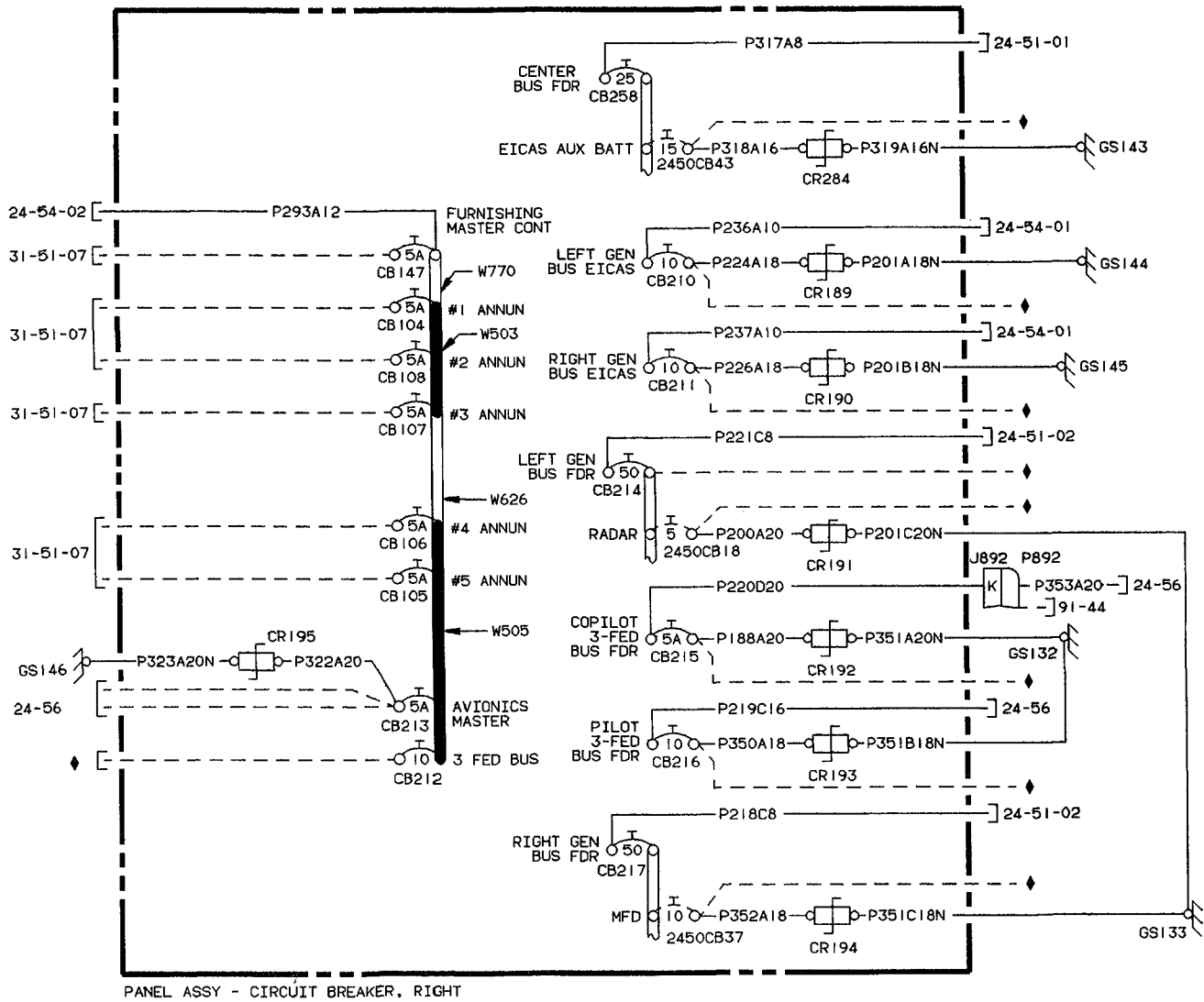
**Beechcraft**  
**STARSHIP 1**  
**WIRING DIAGRAM MANUAL**

# **24-54-03**

## **Configuration 1**

**NC-4, NC-6 THRU NC-9**

# Beechcraft STARSHIP 1 WIRING DIAGRAM MANUAL



PANEL ASSY - CIRCUIT BREAKER, RIGHT

◆ AVIONICS WIRING -  
SEE AVIONICS  
WIRING DIAGRAMS  
FOR TERMINATION.

**ELECTRIC LOAD DISTRIBUTION-CIRCUIT BREAKER PANEL, RIGHT  
(Configuration 1)**

**Beechcraft**  
**STARSHIP 1**  
**WIRING DIAGRAM MANUAL**

REFERENCE DESIGNATOR	PART NUMBER	DESCRIPTION	USABLE	
			INSTL ZONE	ON CODE
24-54-03 (Configuration 1 )				
CB104	131984-5	CB-NO.1 ANNUNCIATOR	246	1
CB105	131984-5	CB-NO.5 ANNUNCIATOR	246	1
CB106	131984-5	CB-NO.4 ANNUNCIATOR	246	1
CB107	131984-5	CB-NO.3 ANNUNCIATOR	246	1
CB108	131984-5	CB-NO.2 ANNUNCIATOR	246	1
CB147	131984-5	CB-FURNISHING MASTER CONTROL	246	1
CB210	131984-10	CB-LEFT GEN BUS EICAS	246	1
CB211	131984-10	CB-RIGHT GEN BUS EICAS	246	1
CB212	131984-10	CB-TRIPLE FED BUS	246	1
CB213	131984-5	CB-AVIONICS MASTER	246	1
CB214	700-001-50	CB-LEFT GEN BUS FEEDER	246	1
CB215	131984-5	CB-COPILOT TRIPLE FED BUS FEEDER	246	1
CB216	131984-10	CB-PILOT TRIPLE FED BUS FEEDER	246	1
CB217	700-001-50	CB-RIGHT GEN BUS FEEDER	246	1
CB258	131984-25	CB-CENTER BUS FEEDER	246	1
CR189	122-380062-1	VARISTOR-TRANSIENT VOLTAGE PROTECTION	246	1
CR190	122-380062-1	VARISTOR-TRANSIENT VOLTAGE PROTECTION	246	1
CR191	122-380062-1	VARISTOR-TRANSIENT VOLTAGE PROTECTION	246	1
CR192	122-380062-1	VARISTOR-TRANSIENT VOLTAGE PROTECTION	246	1
CR193	122-380062-1	VARISTOR-TRANSIENT VOLTAGE PROTECTION	246	1
CR194	122-380062-1	VARISTOR-TRANSIENT VOLTAGE PROTECTION	246	1
CR195	122-380062-1	VARISTOR-TRANSIENT VOLTAGE PROTECTION	246	1
CR284	122-380062-1	VARISTOR-TRANSIENT VOLTAGE PROTECTION	246	1
GS132	MS24693-S28	GROUND STUD	246	1
GS133	MS24693-S28	GROUND STUD	246	1
GS143	MS24693-S28	GROUND STUD	246	1
GS144	MS24693-S28	GROUND STUD	246	1
GS145	MS24693-S28	GROUND STUD	246	1
GS146	MS24693-S28	GROUND STUD	246	1
W503	50-369101-207	BUS BAR	246	1
W505	50-369101-225	BUS BAR	246	1
W626	122-322184-29	BUS BAR	246	1
W770	122-322184-1	BUS BAR	246	1
2450CB18	131984-5	CB-RADAR	246	1
2450CB37	131984-10	CB-MFD	246	1
2450CB43	131984-15	CB-EICAS AUXILIARY BATTERY	246	1

**EFFECTIVITY CODE**

1. NC-4, NC-6 THRU NC-9

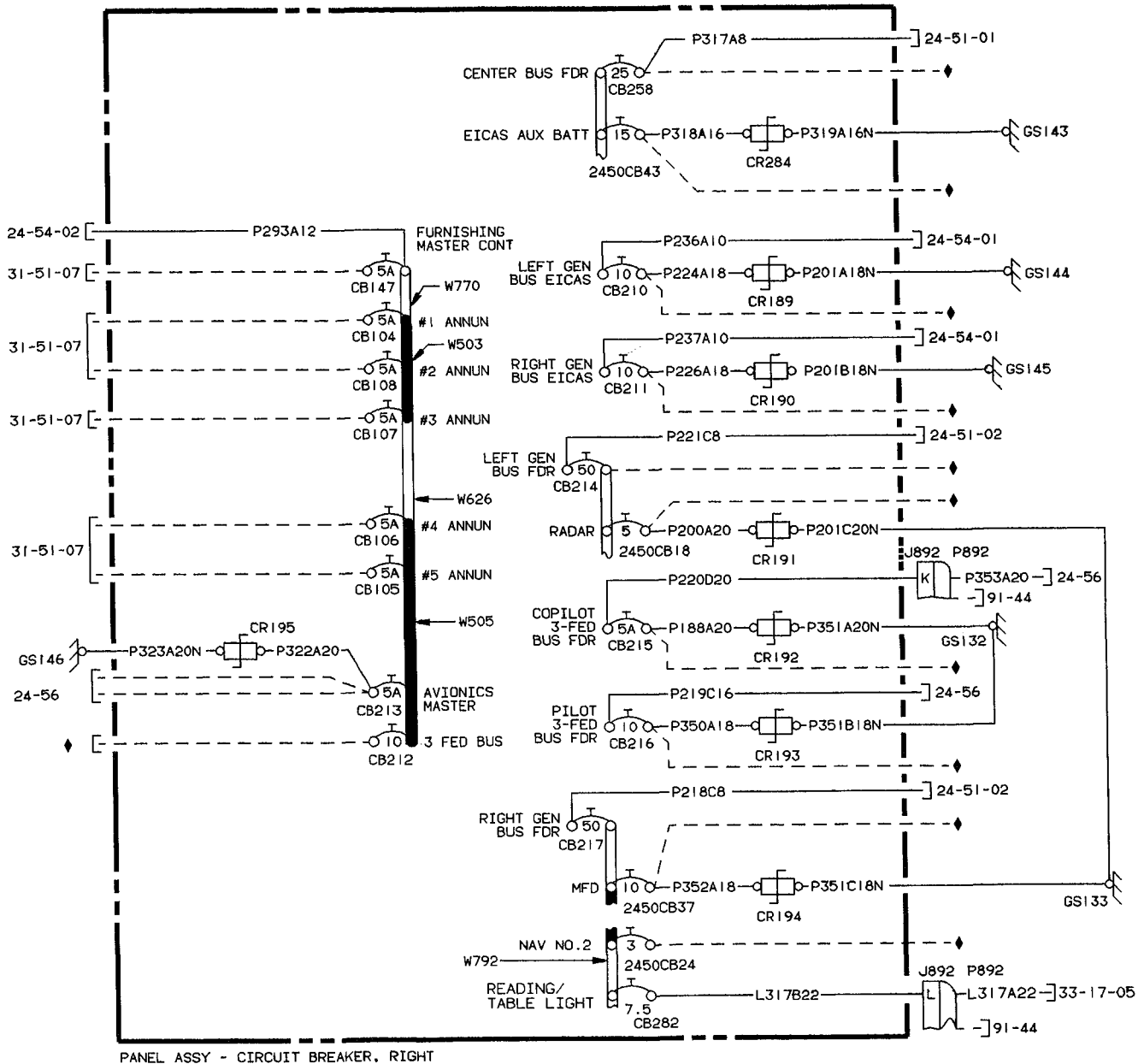
**Beechcraft**  
**STARSHIP 1**  
**WIRING DIAGRAM MANUAL**

# **24-54-03**

## **Configuration 2**

**NC-5, NC-10 THRU NC-20**

# Beechcraft STARSHIP 1 WIRING DIAGRAM MANUAL



◆ AVIONICS WIRING -  
SEE AVIONICS  
WIRING DIAGRAMS  
FOR TERMINATION.

**ELECTRIC LOAD DISTRIBUTION-CIRCUIT BREAKER PANEL, RIGHT  
(Configuration 2)**

**Beechcraft**  
**STARSHIP 1**  
**WIRING DIAGRAM MANUAL**

REFERENCE DESIGNATOR	PART NUMBER	DESCRIPTION	USABLE	
			INSTL ZONE	ON CODE
<b>24-54-03</b> (Configuration 2 )				
CB104	131984-5	CB-NO.1 ANNUNCIATOR	246	1
CB105	131984-5	CB-NO.5 ANNUNCIATOR	246	1
CB106	131984-5	CB-NO.4 ANNUNCIATOR	246	1
CB107	131984-5	CB-NO.3 ANNUNCIATOR	246	1
CB108	131984-5	CB-NO.2 ANNUNCIATOR	246	1
CB147	131984-5	CB-FURNISHING MASTER CONTROL	246	1
CB210	131984-10	CB-LEFT GEN BUS EICAS	246	1
CB211	131984-10	CB-RIGHT GEN BUS EICAS	246	1
CB212	131984-10	CB-TRIPLE FED BUS	246	1
CB213	131984-5	CB-AVIONICS MASTER	246	1
CB214	700-001-50	CB-LEFT GEN BUS FEEDER	246	1
CB215	131984-5	CB-COPILOT TRIPLE FED BUS FEEDER	246	1
CB216	131984-10	CB-PILOT TRIPLE FED BUS FEEDER	246	1
CB217	700-001-50	CB-RIGHT GEN BUS FEEDER	246	1
CB258	131984-25	CB-CENTER BUS FEEDER	246	1
CB282	131984-7	CB-READING/TABLE LIGHT	246	1
CR189	122-380062-1	VARISTOR-TRANSIENT VOLTAGE PROTECTION	246	1
CR190	122-380062-1	VARISTOR-TRANSIENT VOLTAGE PROTECTION	246	1
CR191	122-380062-1	VARISTOR-TRANSIENT VOLTAGE PROTECTION	246	1
CR192	122-380062-1	VARISTOR-TRANSIENT VOLTAGE PROTECTION	246	1
CR193	122-380062-1	VARISTOR-TRANSIENT VOLTAGE PROTECTION	246	1
CR194	122-380062-1	VARISTOR-TRANSIENT VOLTAGE PROTECTION	246	1
CR195	122-380062-1	VARISTOR-TRANSIENT VOLTAGE PROTECTION	246	1
CR284	122-380062-1	VARISTOR-TRANSIENT VOLTAGE PROTECTION	246	1
GS132	MS24693-S28	GROUND STUD	246	1
GS133	MS24693-S28	GROUND STUD	246	1
GS143	MS24693-S28	GROUND STUD	246	1
GS144	MS24693-S28	GROUND STUD	246	1
GS145	MS24693-S28	GROUND STUD	246	1
GS146	MS24693-S28	GROUND STUD	246	1
W503	50-369101-207	BUS BAR	246	1
W505	50-369101-225	BUS BAR	246	1
W626	122-322184-29	BUS BAR	246	1
W770	122-322184-1	BUS BAR	246	1
W792	122-322184-139	BUS BAR	246	2
2450CB18	131984-5	CB-RADAR	246	1
2450CB37	131984-10	CB-MFD	246	1
2450CB43	131984-15	CB-EICAS AUXILIARY BATTERY	246	1

**EFFECTIVITY CODE**

1. NC-5, NC-10 THRU NC-20
2. NC-5, NC-10, NC-14 THRU NC-20



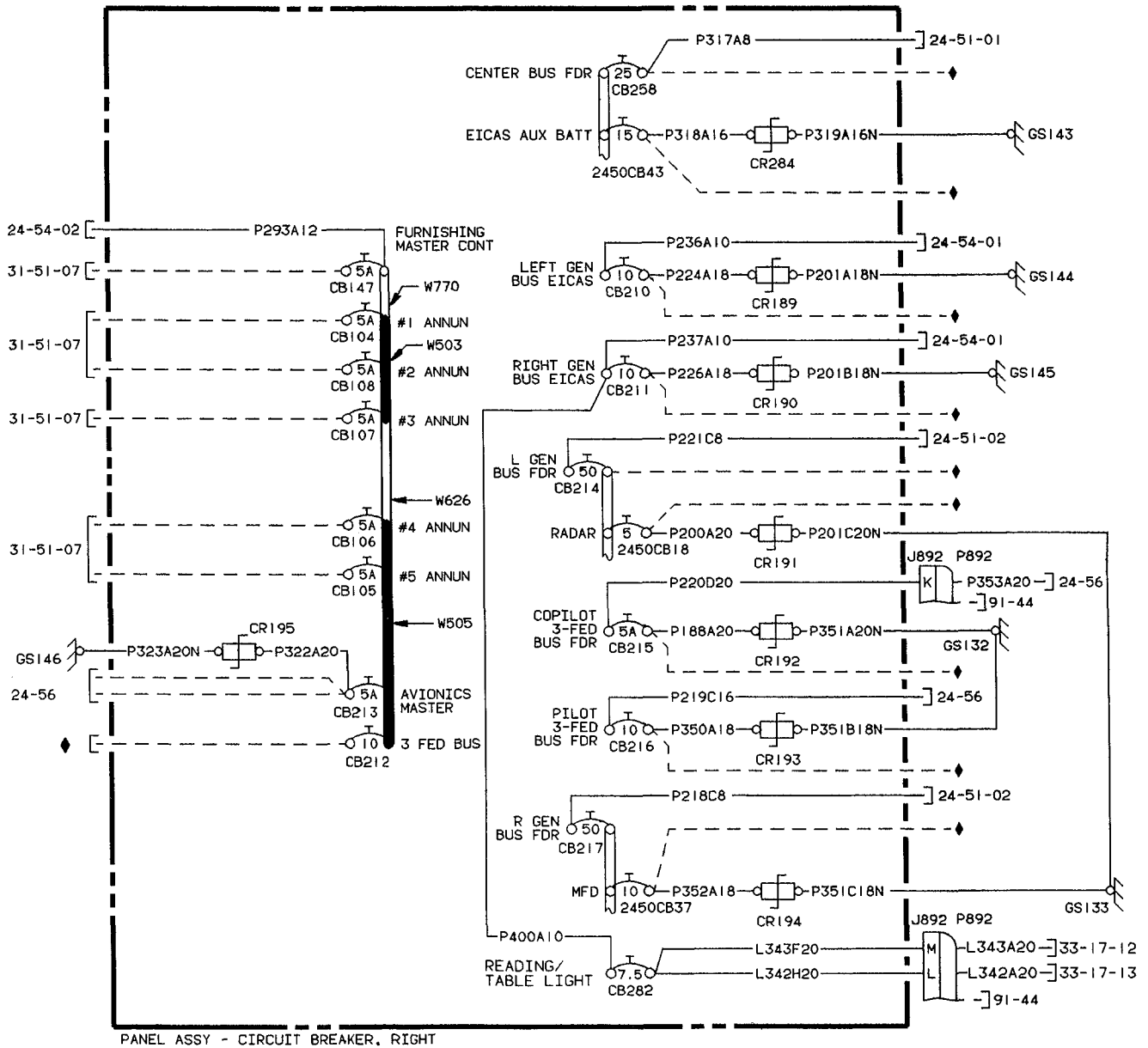
**Beechcraft**  
**STARSHIP 1**  
**WIRING DIAGRAM MANUAL**

# **24-54-03**

## **Configuration 3**

**NC-21 & AFTER**

# Beechcraft STARSHIP 1 WIRING DIAGRAM MANUAL



◆ AVIONICS WIRING -  
SEE AVIONICS  
WIRING DIAGRAMS  
FOR TERMINATION.

**ELECTRIC LOAD DISTRIBUTION-CIRCUIT BREAKER PANEL, RIGHT  
(Configuration 3)**

**Beechcraft**  
**STARSHIP 1**  
**WIRING DIAGRAM MANUAL**

REFERENCE DESIGNATOR	PART NUMBER	DESCRIPTION	USABLE	
			INSTL ZONE	ON CODE
<b>24-54-03</b>				
<b>(Configuration 3 )</b>				
CB104	131984-5	CB-NO.1 ANNUNCIATOR	246	1
CB105	131984-5	CB-NO.5 ANNUNCIATOR	246	1
CB106	131984-5	CB-NO.4 ANNUNCIATOR	246	1
CB107	131984-5	CB-NO.3 ANNUNCIATOR	246	1
CB108	131984-5	CB-NO.2 ANNUNCIATOR	246	1
CB147	131984-5	CB-FURNISHING MASTER CONTROL	246	1
CB210	131984-10	CB-LEFT GEN BUS EICAS	246	1
CB211	131984-10	CB-RIGHT GEN BUS EICAS	246	1
CB212	131984-10	CB-TRIPLE FED BUS	246	1
CB213	131984-5	CB-AVIONICS MASTER	246	1
CB214	700-001-50	CB-LEFT GEN BUS FEEDER	246	1
CB215	131984-5	CB-COPILOT TRIPLE FED BUS FEEDER	246	1
CB216	131984-10	CB-PILOT TRIPLE FED BUS FEEDER	246	1
CB217	700-001-50	CB-RIGHT GEN BUS FEEDER	246	1
CB258	131984-25	CB-CENTER BUS FEEDER	246	1
CB282	131984-7	CB-READING/TABLE LIGHT	246	1
CR189	122-380062-1	VARISTOR-TRANSIENT VOLTAGE PROTECTION	246	1
CR190	122-380062-1	VARISTOR-TRANSIENT VOLTAGE PROTECTION	246	1
CR191	122-380062-1	VARISTOR-TRANSIENT VOLTAGE PROTECTION	246	1
CR192	122-380062-1	VARISTOR-TRANSIENT VOLTAGE PROTECTION	246	1
CR193	122-380062-1	VARISTOR-TRANSIENT VOLTAGE PROTECTION	246	1
CR194	122-380062-1	VARISTOR-TRANSIENT VOLTAGE PROTECTION	246	1
CR195	122-380062-1	VARISTOR-TRANSIENT VOLTAGE PROTECTION	246	1
CR284	122-380062-1	VARISTOR-TRANSIENT VOLTAGE PROTECTION	246	1
GS132	MS24693-S28	GROUND STUD	246	1
GS133	MS24693-S28	GROUND STUD	246	1
GS143	MS24693-S28	GROUND STUD	246	1
GS144	MS24693-S28	GROUND STUD	246	1
GS145	MS24693-S28	GROUND STUD	246	1
GS146	MS24693-S28	GROUND STUD	246	1
W503	50-369101-207	BUS BAR	246	1
W505	50-369101-225	BUS BAR	246	1
W626	122-322184-29	BUS BAR	246	1
W770	122-322184-1	BUS BAR	246	1
2450CB18	131984-5	CB-RADAR	246	1
2450CB37	131984-10	CB-MFD	246	1
2450CB43	131984-15	CB-EICAS AUXILIARY BATTERY	246	1

**EFFECTIVITY CODE**

1. NC-21 & AFTER

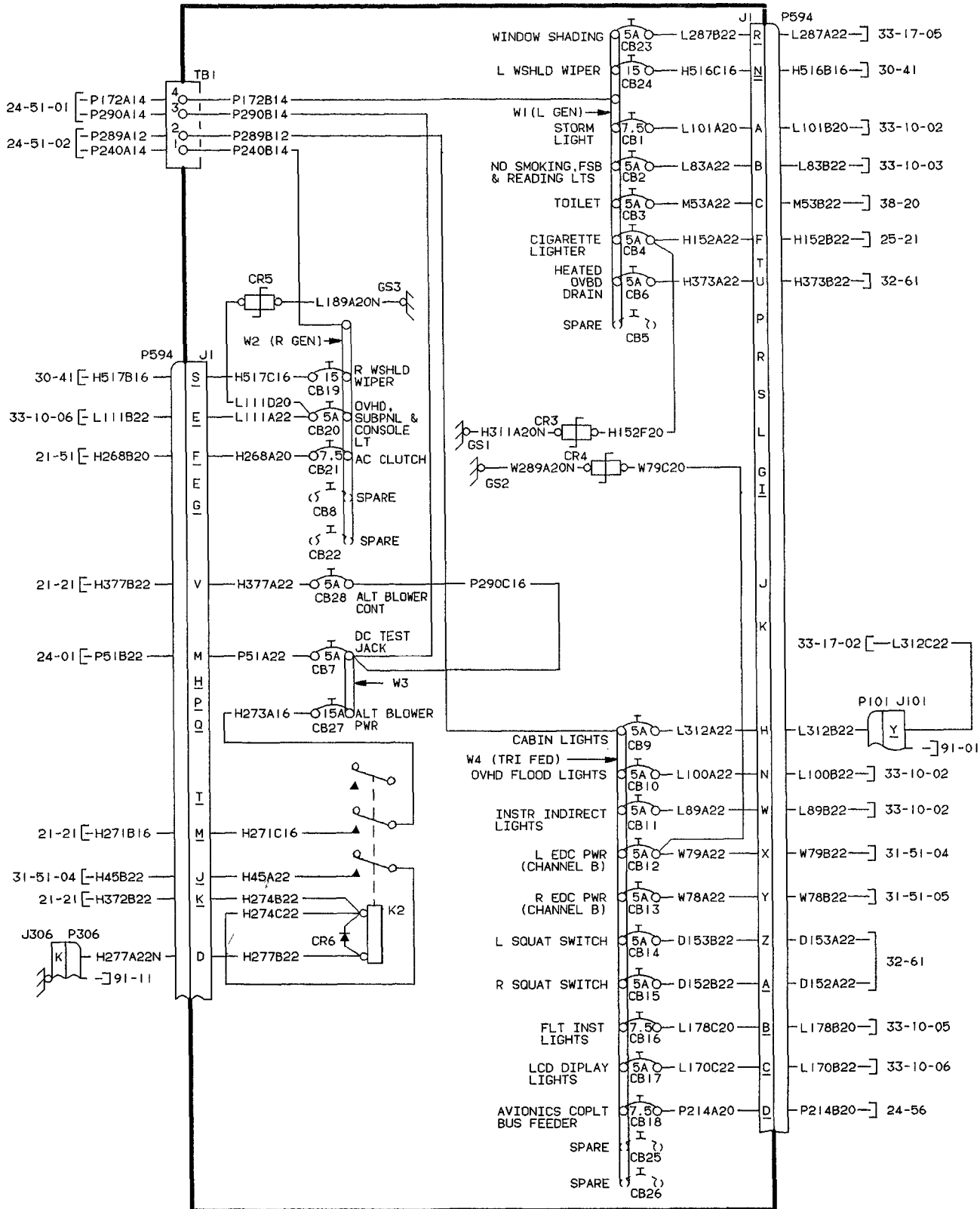
**Beechcraft**  
**STARSHIP 1**  
**WIRING DIAGRAM MANUAL**

# **24-54-04**

## **Configuration 1**

**NC-4 THRU NC-20**

# Beechcraft STARSHIP 1 WIRING DIAGRAM MANUAL



A164 PANEL ASSY - CIRCUIT BREAKER, AFT ▲ I

**ELECTRIC LOAD DISTRIBUTION-CIRCUIT BREAKER PANEL, AFT  
(Configuration 1)**

**Beechcraft**  
**STARSHIP 1**  
**WIRING DIAGRAM MANUAL**

REFERENCE DESIGNATOR	PART NUMBER	DESCRIPTION	USABLE	
			INSTL ZONE	ON CODE
24-54-04 (Configuration 1 )				
A164	122-361013-55	CB PANEL ASSY-AFT	320	1
A164CB1	131984-7	CB-STORM LIGHT	320	1
A164CB10	131984-5	CB-OVERHEAD FLOOD LIGHTS	320	1
A164CB11	131984-5	CB-INSTRUMENT INDIRECT LIGHTS	320	1
A164CB12	131984-5	CB-LEFT EDC POWER	320	1
A164CB13	131984-5	CB-RIGHT EDC POWER	320	1
A164CB14	131984-5	CB-LEFT SQUAT SWITCH	320	1
A164CB15	131984-5	CB-RIGHT SQUAT SWITCH	320	1
A164CB16	131984-7	CB-FLIGHT INSTRUMENT LIGHTS	320	1
A164CB17	131984-5	CB-LCD DISPLAY LIGHTS	320	1
A164CB18	131984-7	CB-AVIONICS COPILOT BUS FEEDER	320	1
A164CB19	131984-15	CB-RIGHT WINDSHIELD WIPER	320	1
A164CB2	131984-5	CB-NO SMOKING & READING LIGHTS	320	1
A164CB20	131984-5	CB-OVERHEAD SUBPANEL & CONSOLE	320	1
A164CB21	131984-7	CB-AC CLUTCH	320	1
A164CB23	131984-5	CB-WINDOW SHADING	320	1
A164CB24	131984-15	CB-LEFT WINDSHIELD WIPER	320	1
A164CB27	131984-15	CB-ALTERNATE BLOWER POWER	320	1
A164CB28	131984-5	CB-ALTERNATE BLOWER CONTROL	320	1
A164CB3	131984-5	CB-TOILET	320	1
A164CB4	131984-5	CB-CIGARETTE LIGHTER	320	1
A164CB5	131984-7	CB-CABIN FLUORESCENT LIGHT	320	1
A164CB6	131984-5	CB-HEATED OVERHEAD DRAIN	320	1
A164CB7	131984-5	CB-DC TEST JACK	320	1
A164CB9	131984-5	CB-CABIN LIGHTS	320	1
A164CR3	122-380062-1	VARISTOR-TRANSIENT VOLTAGE PROTECTION	320	1
A164CR4	122-380062-1	VARISTOR-TRANSIENT VOLTAGE PROTECTION	320	1
A164CR5	122-380062-1	VARISTOR-TRANSIENT VOLTAGE PROTECTION	320	1
A164CR6	1N4007	DIODE	320	1
A164GS1	13270-1	GROUND STUD	320	1
A164GS2	131270-1	GROUND STUD	320	1
A164GS3	131270-1	GROUND STUD	320	1
A164J1	MS3472L20-41P	RCPT	320	1
A164K2	FCA-325-45	RELAY	320	1
A164TB1	MS27212-1-4	TERMINAL BOARD	320	1
A164W1	122-361014-75	BUS BAR	320	1
A164W2	122-361014-73	BUS BAR	320	1
A164W3	122-361014-21	BUS BAR	320	1
A164W4	122-361014-35	BUS BAR	320	1
P594	MS3476L22-41S	PLUG	320	1

**EFFECTIVITY CODE**

1. NC-4 THRU NC-20

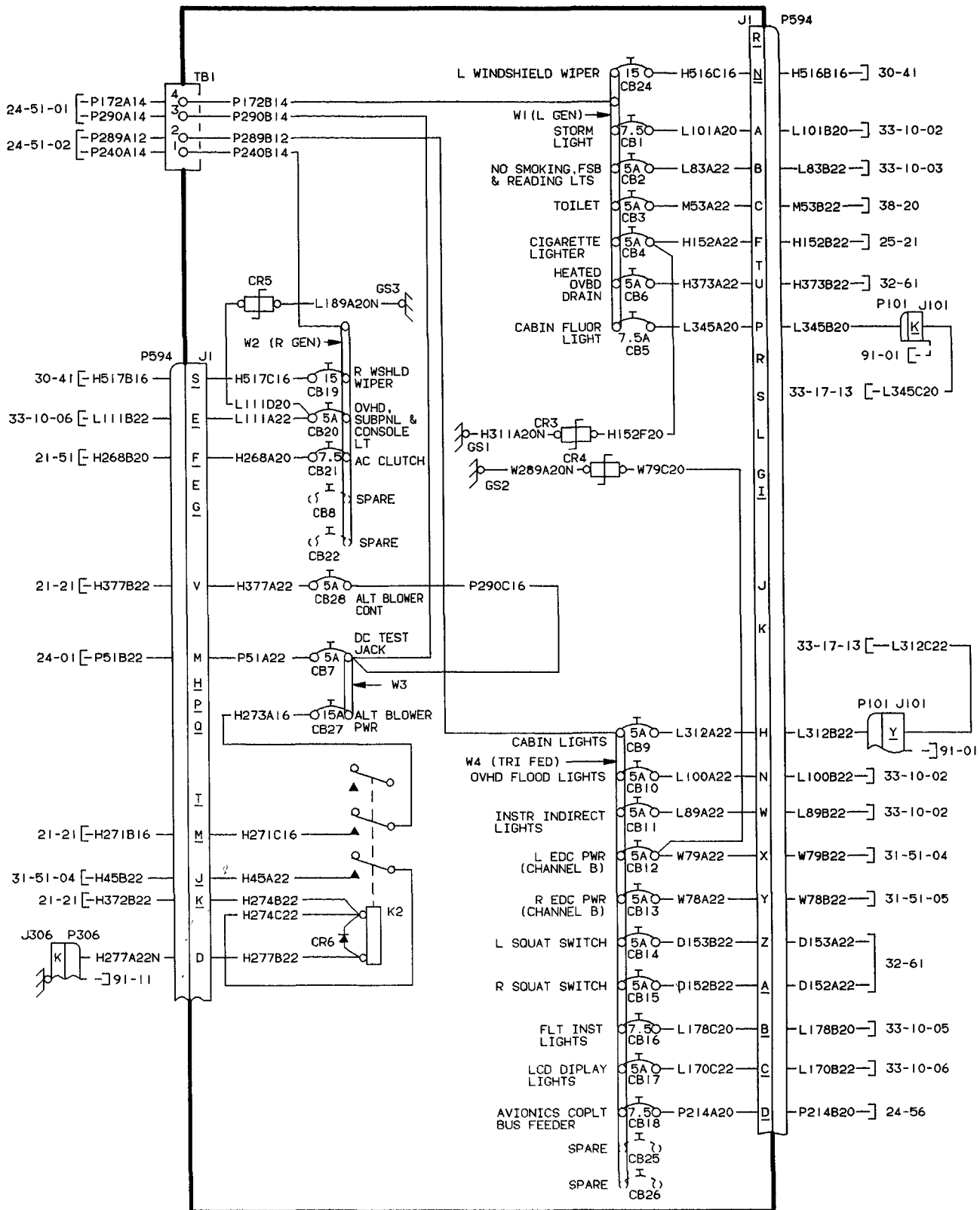
**Beechcraft**  
**STARSHIP 1**  
**WIRING DIAGRAM MANUAL**

# **24-54-04**

## **Configuration 2**

**NC-21 & AFTER**

# Beechcraft STARSHIP 1 WIRING DIAGRAM MANUAL



A164 PANEL ASSY - CIRCUIT BREAKER, AFT ▲ I

**ELECTRIC LOAD DISTRIBUTION-CIRCUIT BREAKER PANEL, AFT  
(Configuration 2)**



**Beechcraft**  
**STARSHIP 1**  
**WIRING DIAGRAM MANUAL**

REFERENCE DESIGNATOR	PART NUMBER	DESCRIPTION	USABLE	
			INSTL ZONE	ON CODE
24-54-04 (Configuration 2 )				
A164	122-361013-55	CB PANEL ASSY-AFT	320	1
A164CB1	131984-7	CB-STORM LIGHT	320	1
A164CB10	131984-5	CB-OVERHEAD FLOOD LIGHTS	320	1
A164CB11	131984-5	CB-INSTRUMENT INDIRECT LIGHTS	320	1
A164CB12	131984-5	CB-LEFT EDC POWER	320	1
A164CB13	131984-5	CB-RIGHT EDC POWER	320	1
A164CB14	131984-5	CB-LEFT SQUAT SWITCH	320	1
A164CB15	131984-5	CB-RIGHT SQUAT SWITCH	320	1
A164CB16	131984-7	CB-FLIGHT INSTRUMENT LIGHTS	320	1
A164CB17	131984-5	CB-LCD DISPLAY LIGHTS	320	1
A164CB18	131984-7	CB-AVIONICS COPILOT BUS FEEDER	320	1
A164CB19	131984-15	CB-RIGHT WINDSHIELD WIPER	320	1
A164CB2	131984-5	CB-NO SMOKING & READING LIGHTS	320	1
A164CB20	131984-5	CB-OVERHEAD SUBPANEL & CONSOLE	320	1
A164CB21	131984-7	CB-AC CLUTCH	320	1
A164CB24	131984-15	CB-LEFT WINDSHIELD WIPER	320	1
A164CB27	131984-15	CB-ALTERNATE BLOWER POWER	320	1
A164CB28	131984-5	CB-ALTERNATE BLOWER CONTROL	320	1
A164CB3	131984-5	CB-TOILET	320	1
A164CB4	131984-5	CB-CIGARETTE LIGHTER	320	1
A164CB5	131984-7	CB-CABIN FLUORESCENT LIGHT	320	1
A164CB6	131984-5	CB-HEATED OVERHEAD DRAIN	320	1
A164CB7	131984-5	CB-DC TEST JACK	320	1
A164CB9	131984-5	CB-CABIN LIGHTS	320	1
A164CR3	122-380062-1	VARISTOR-TRANSIENT VOLTAGE PROTECTION	320	1
A164CR4	122-380062-1	VARISTOR-TRANSIENT VOLTAGE PROTECTION	320	1
A164CR5	122-380062-1	VARISTOR-TRANSIENT VOLTAGE PROTECTION	320	1
A164CR6	1N4007	DIODE	320	1
A164GS1	13270-1	GROUND STUD	320	1
A164GS2	131270-1	GROUND STUD	320	1
A164GS3	131270-1	GROUND STUD	320	1
A164J1	MS3472L20-41P	RCPT	320	1
A164K2	FCA-325-45	RELAY	320	1
A164TB1	MS27212-1-4	TERMINAL BOARD	320	1
A164W1	122-361014-75	BUS BAR	320	1
A164W2	122-361014-73	BUS BAR	320	1
A164W3	122-361014-21	BUS BAR	320	1
A164W4	122-361014-35	BUS BAR	320	1
P594	MS3476L22-41S	PLUG	320	1

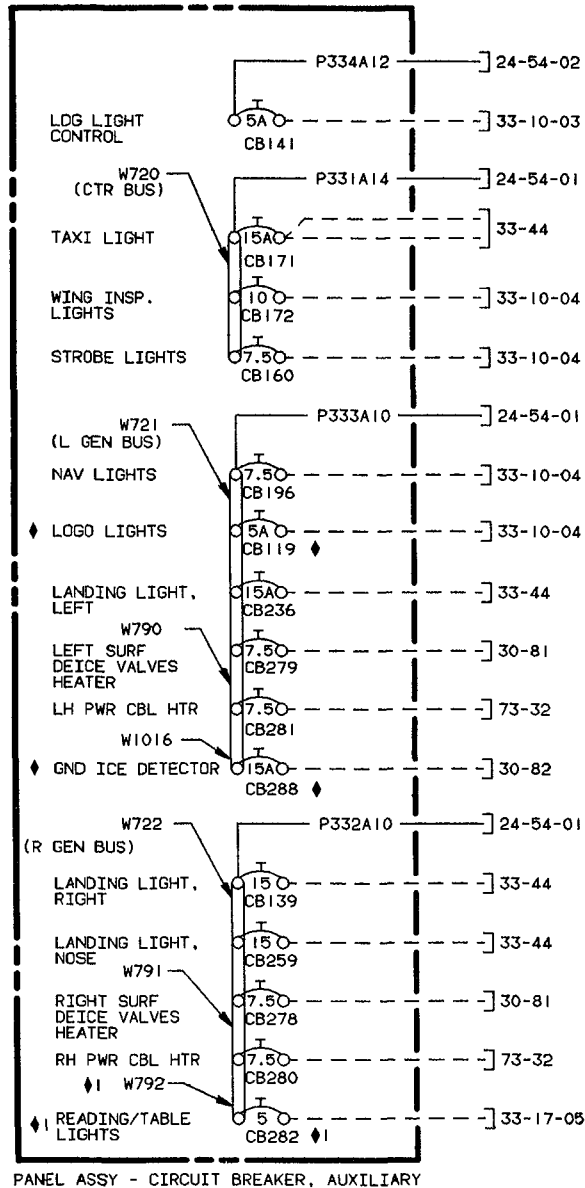
**EFFECTIVITY CODE**

1. NC-21 & AFTER

**Beechcraft**  
**STARSHIP 1**  
**WIRING DIAGRAM MANUAL**

**24-54-05**

# Beechcraft STARSHIP 1 WIRING DIAGRAM MANUAL



◆ ON AIRCRAFT NC-4 & NC-6  
THRU NC-9, BUS BAR W792 &  
CKT BRKR CB282 ARE USED.

◆ OPTIONAL EQUIPMENT

## ELECTRIC LOAD DISTRIBUTION-CIRCUIT BREAKER PANEL, AUXILIARY

**Beechcraft**  
**STARSHIP 1**  
**WIRING DIAGRAM MANUAL**

REFERENCE DESIGNATOR	PART NUMBER	DESCRIPTION	USABLE INSTL ON ZONE CODE
24-54-05			
CB119	131984-5	CB-LOGO LIGHTS	235
CB139	131984-15	CB-RIGHT LANDING LIGHT	235
CB141	131984-5	CB-LANDING LIGHT CONTROL	235
CB160	131984-7	CB-STROBE LIGHTS	235
CB171	131984-15	CB-TAXI LIGHT	235
CB172	131984-10	CB-WING INSPECTION LIGHTS	235
CB196	131984-7	CB-NAVIGATION LIGHTS	235
CB236	131984-15	CB-LEFT LANDING LIGHT	235
CB259	131984-15	CB-NOSE LANDING LIGHT	235
CB278	131984-7	CB-RIGHT SURFACE DEICE V HTR	235
CB279	131984-7	CB-LEFT SURFACE DEICE V HTR	235
CB280	131984-7	CB-RH POWER CABLE HEATER	235
CB281	131984-7	CB-LH POWER CABLE HEATER	235
CB282	131984-5	CB-READING/TABLE LIGHT	235 1
CB288	131984-15	CB-GROUND ICE DETECTOR	235 2
W1016	50-369101-205	BUS BAR	235
W720	50-369101-207	BUS BAR	235
W721	50-369101-207	BUS BAR	235
W722	50-369101-205	BUS BAR	235
W790	50-369101-205	BUS BAR	235
W791	50-369101-205	BUS BAR	235
W792	50-369101-225	BUS BAR	235 1

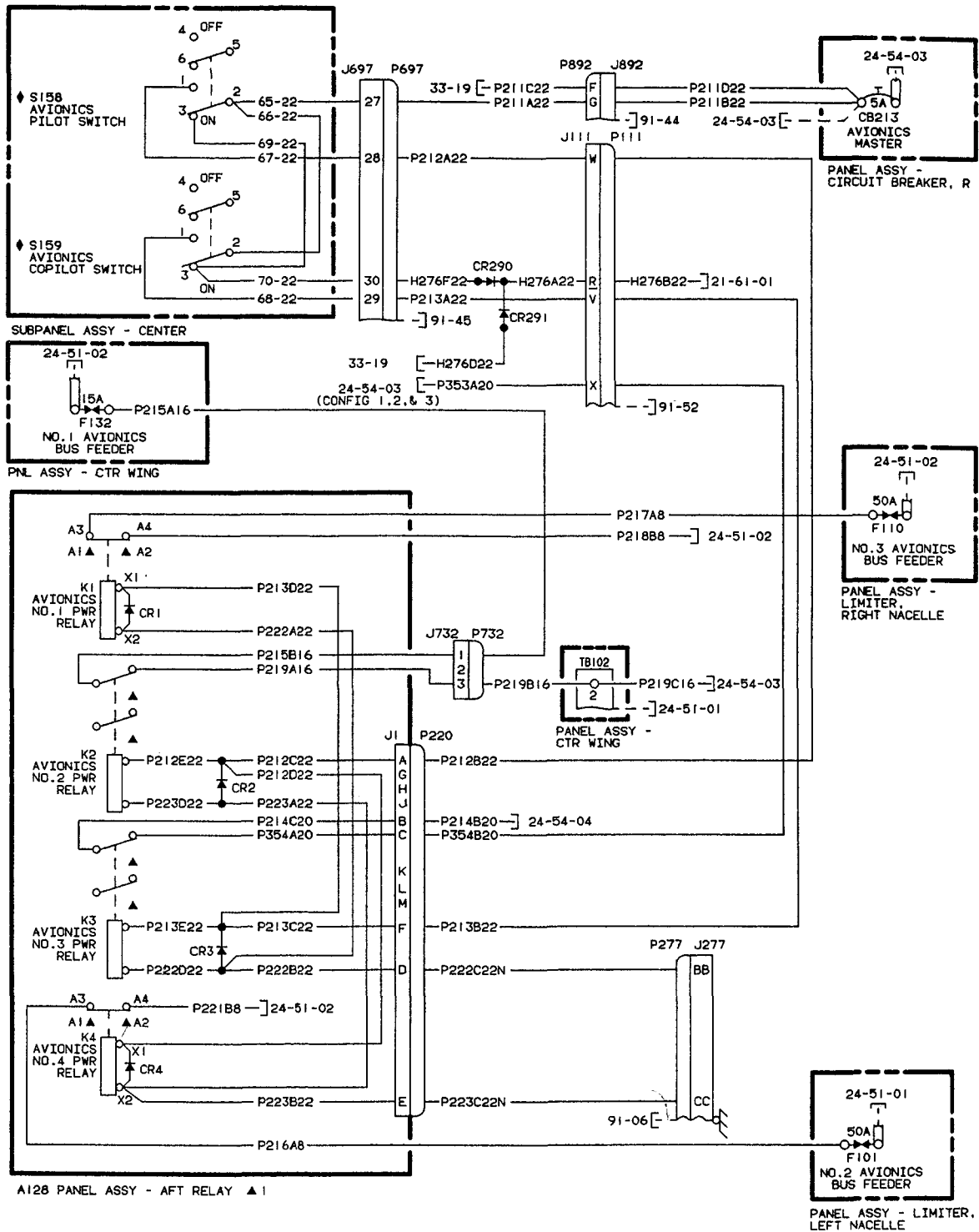
**EFFECTIVITY CODE**

1. NC-4, NC-6 THRU NC-9
2. NC-10, NC-44 & AFTER

**Beechcraft**  
**STARSHIP 1**  
**WIRING DIAGRAM MANUAL**

**24-56-00**

# Beechcraft STARSHIP 1 WIRING DIAGRAM MANUAL



## ELECTRIC LOAD DISTRIBUTION-AVIONICS POWER

Beechcraft  
STARSHIP 1  
WIRING DIAGRAM MANUAL

REFERENCE DESIGNATOR	PART NUMBER	DESCRIPTION	USABLE	
			INSTL	ON ZONE CODE
24-56-00				
A128	122-364064-13	PANEL ASSY-AFT RELAY		320
A128CR1	100-361045-1	TRANSZORB ASSY		320
A128CR2	1N4007	DIODE		320
A128CR3	1N4007	DIODE		320
A128CR4	100-361045-1	TRANSZORB ASSY		320
A128J1	MS3472L14-12P	RCPT		320
A128K1	6041H220	RELAY-AVIONICS NO.1 PWR		320
A128K2	50-380048-1	RELAY-AVIONICS NO.2 PWR		320
A128K3	50-380048-1	RELAY-AVIONICS NO.3 PWR		320
A128K4	6041H220	RELAY-AVIONICS NO.4 PWR		320
CB213	131984-5	CB-AVIONICS MASTER		246
CR290	1N4007	DIODE		242
CR291	1N4007	DIODE		242
F101	ACH-50	LIMITER-AVIONICS #2 BUS FEEDER		583
F110	ACH-50	LIMITER-AVIONICS #3 BUS FEEDER		683
F132	ACH-15	LIMITER-AVIONICS #1 FEEDER		547
J732	207359-1	RCPT		320
P220	MS3476L14-12S	PLUG		320
P732	207360-1	PLUG		320
S158	112TW91-3	SW-PILOT AVIONICS		242
S159	112TW59-10A	SW-COPILOT AVIONICS		242

EFFECTIVITY CODE

**Beechcraft**  
**STARSHIP 1**  
**WIRING DIAGRAM MANUAL**  
*LIST OF PAGES & TABLE OF CONTENTS*  
*for*  
**CHAPTER 25 - EQUIPMENT/FURNISHINGS**

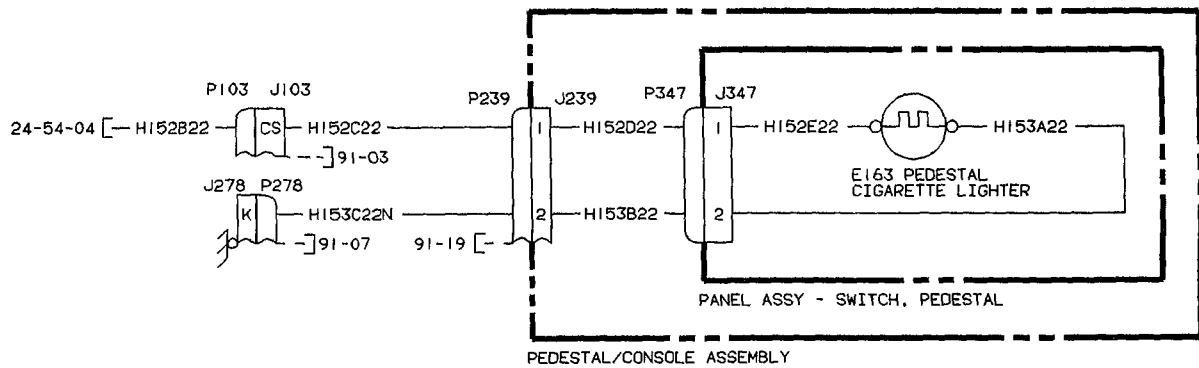
<b>SYS/SUB-SYS/ CHAP SECTION</b>	<b>PAGE NO.</b>	<b>EFFECTIVE DATE</b>	<b>TABLE OF CONTENTS</b>
<b>25-21-00</b>	Page 1	02/25/94	PASSENGER COMPARTMENT-CIGARETTE LIGHTER
	Page 2	02/25/94	
	Page 3	02/25/94	
<b>25-22-00</b>	Page 1	02/25/94	PASSENGER COMPARTMENT-REFRESHMENT CABINET
	Page 2	02/25/94	
	Page 3	02/25/94	



**Beechcraft**  
**STARSHIP 1**  
**WIRING DIAGRAM MANUAL**

**25-21-00**

# Beechcraft STARSHIP 1 WIRING DIAGRAM MANUAL



## PASSENGER COMPARTMENT-CIGARETTE LIGHTER

**Beechcraft**  
**STARSHIP 1**  
**WIRING DIAGRAM MANUAL**

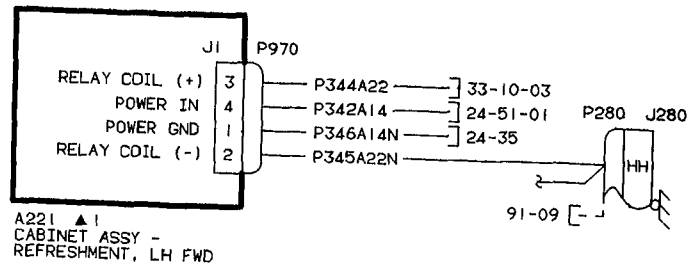
REFERENCE DESIGNATOR	PART NUMBER	DESCRIPTION	USABLE
			INSTL ON ZONE CODE
		25-21-00	
E163	206482-24V-7	CIGARETTE LIGHTER	249
J347	1-480699-0	RCPT	249
P347	1-480698-0	PLUG	249

EFFECTIVITY CODE

**Beechcraft**  
**STARSHIP 1**  
**WIRING DIAGRAM MANUAL**

**25-22-00**

Beechcraft  
STARSHIP 1  
WIRING DIAGRAM MANUAL



PASSENGER COMPARTMENT-REFRESHMENT CABINET

**Beechcraft**  
**STARSHIP 1**  
**WIRING DIAGRAM MANUAL**

REFERENCE DESIGNATOR	PART NUMBER	DESCRIPTION	USABLE	
			INSTL ZONE	ON CODE
25-22-00				
A221	122-384108-1	CABINET ASSY-REFRESHMENT	271	1
A221	122-384108-23	CABINET ASSY-REFRESHMENT	271	2
A221J1	206153-1	RCPT	271	
P970	206060-1	PLUG	271	

**EFFECTIVITY CODE**

1. NC-4 & NC-5
2. NC-6 & AFTER

**Deechcraft**  
**STARSHIP 1**  
**WIRING DIAGRAM MANUAL**  
*LIST OF PAGES & TABLE OF CONTENTS*  
*for*  
**CHAPTER 26 - FIRE PROTECTION**

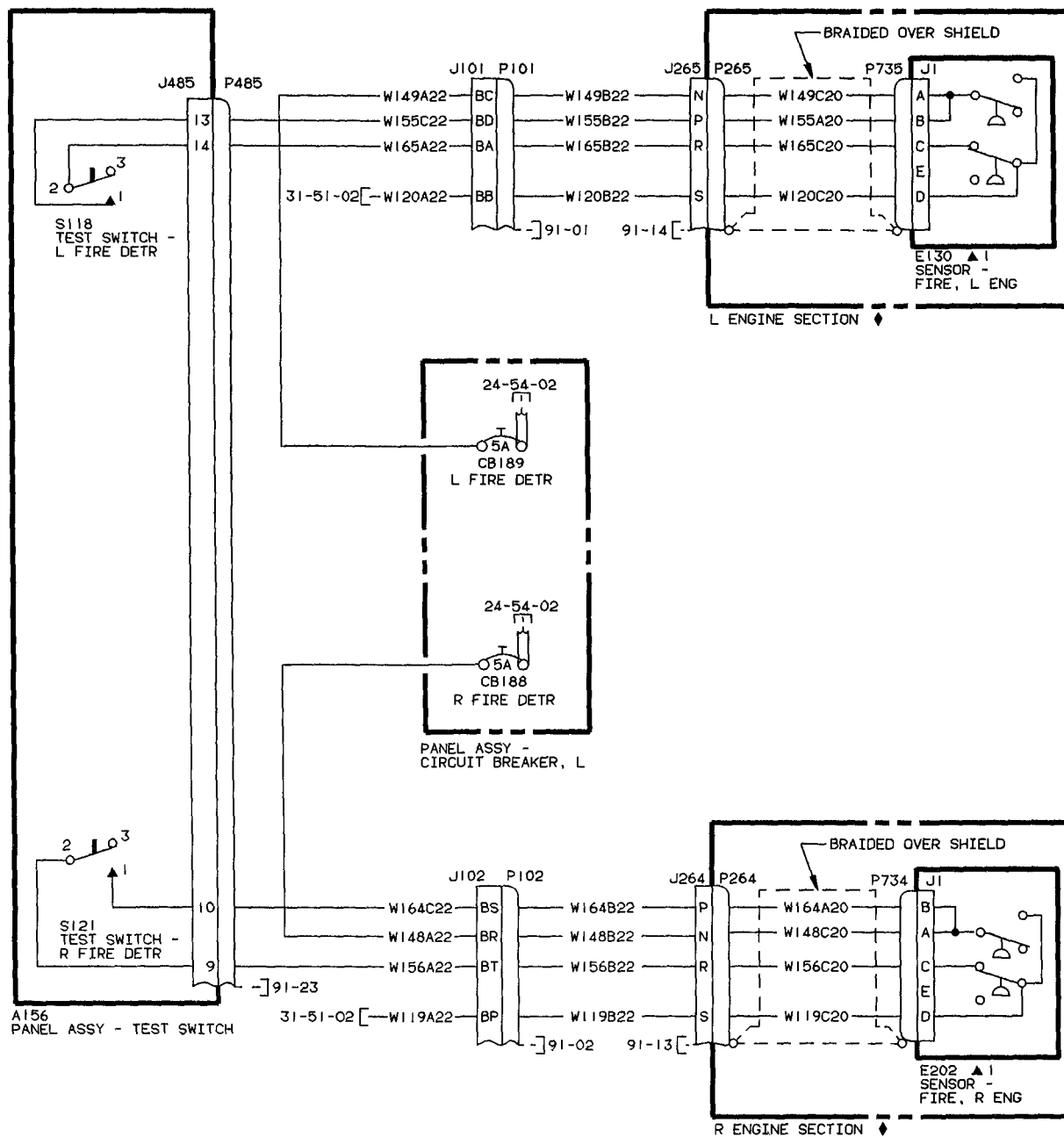
<b>SYS/SUB-SYS/ CHAP SECTION</b>	<b>PAGE NO.</b>	<b>EFFECTIVE DATE</b>	<b>TABLE OF CONTENTS</b>
<b>26-11-00</b>	Page 1	02/25/94	DETECTION-ENGINE FIRE
	Page 2	02/25/94	
	Page 3	02/25/94	
<b>26-12-00</b>	Page 1	02/25/94	DETECTION-BLEED AIR FAILURE
	Page 2	02/25/94	
	Page 3	02/25/94	
<b>26-21-01</b>	Page 1	02/25/94	EXTINGUISHER-ENGINE FIRE, LEFT
	Page 2	02/25/94	
	Page 3	02/25/94	
<b>26-21-02</b>	Page 1	02/25/94	EXTINGUISHER-ENGINE FIRE, RIGHT
	Page 2	02/25/94	
	Page 3	02/25/94	

**Beechcraft**  
**STARSHIP 1**  
**WIRING DIAGRAM MANUAL**

**26-11-00**



# Beechcraft STARSHIP 1 WIRING DIAGRAM MANUAL



◆ ENGINE COMPARTMENT SHIELD TERMINATIONS ARE TO BE AS SHORT AS POSSIBLE, NOT TO EXCEED 3 INCHES.

## DETECTION-ENGINE FIRE

Beechcraft  
**STARSHIP 1**  
**WIRING DIAGRAM MANUAL**

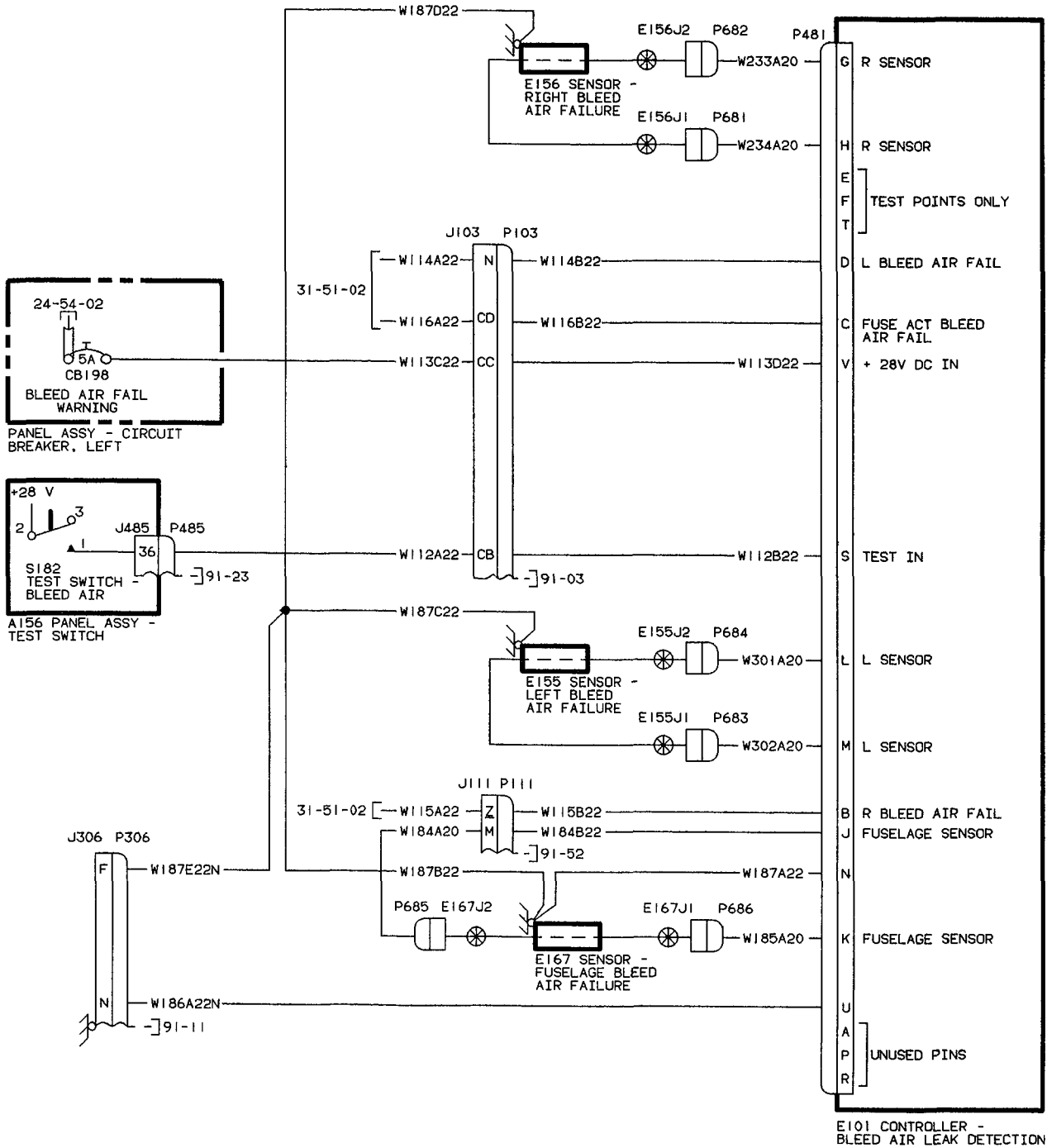
REFERENCE DESIGNATOR	PART NUMBER	DESCRIPTION	USABLE	
			INSTL	ON ZONE CODE
26-11-00				
CB188	131984-5	CB-RIGHT FIRE DETECTOR		236
CB189	131984-5	CB-LEFT FIRE DETECTOR		236
E130	7666	FIRE SENSOR		411
E202	7666	FIRE SENSOR		421
P734	MS3456KT14S-5S	PLUG		421
P735	MS3456KT14S-5S	PLUG		411
S118	MB2011SW06BK	SW-LEFT FIRE TEST		244
S121	MB2011SW06BK	SW-RIGHT FIRE TEST		244

**EFFECTIVITY CODE**

**Beechcraft**  
**STARSHIP 1**  
**WIRING DIAGRAM MANUAL**

**26-12-00**

# Beechcraft STARSHIP 1 WIRING DIAGRAM MANUAL



## DETECTION-BLEED AIR FAILURE

Beechcraft  
**STARSHIP 1**  
**WIRING DIAGRAM MANUAL**

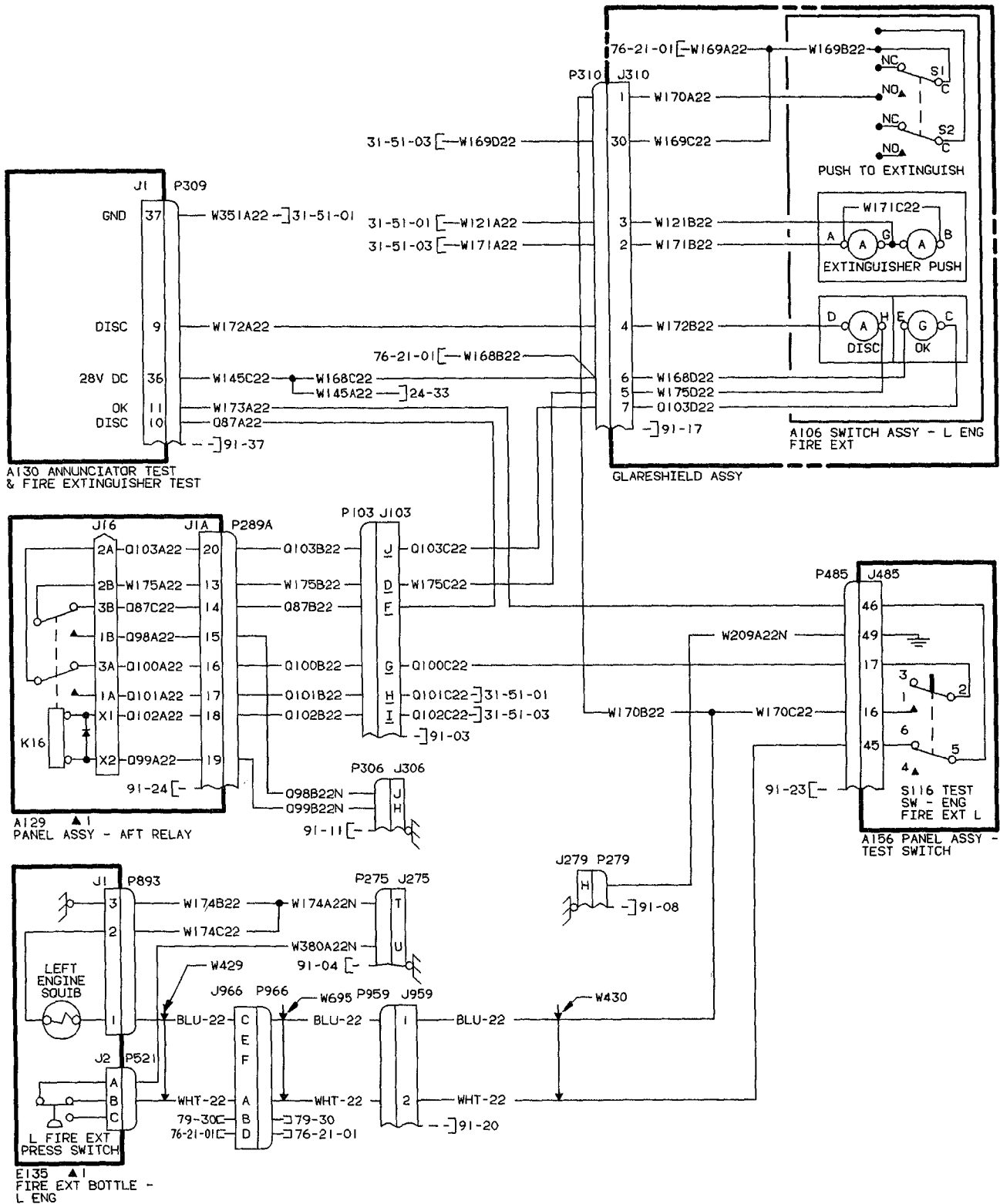
REFERENCE DESIGNATOR	PART NUMBER	DESCRIPTION	USABLE	
			INSTL ZONE	ON CODE
26-12-00				
CB198	131984-5	CB-BLEED AIR FAIL WARNING		236
E101	472184-04	CONTROLLER-BLEED AIR LEAK DETECTION		320
E155A	472195	ELEMENT		583
E155B	472197	ELEMENT		561
E155C	472197	ELEMENT		581
E155D	472197	ELEMENT		581
E155E	472197	ELEMENT		581
E155F	872248	JUMPER ASSY		582
E156A	472195	ELEMENT		683
E156B	472196	ELEMENT		310
E156C	472197	ELEMENT		661
E156D	472197	ELEMENT		681
E156E	472197	ELEMENT		681
E156F	472197	ELEMENT		681
E156G	872248	JUMPER ASSY		682
E167A	472189	ELEMENT		162
E167B	472196	ELEMENT		310
E167C	472196	ELEMENT		310
E167D	472196	ELEMENT		172
E167E	472196	ELEMENT		143
E167F	472197	ELEMENT		556
E167G	472197	ELEMENT		547
P481	MS3476L14-19S	PLUG		320
P681	446054	PLUG		310
P682	446055	PLUG		683
P683	446054	PLUG		310
P684	446055	PLUG		583
P685	446055	PLUG		142
P686	446054	PLUG		310
S182	MB2011SW06BK	SW-BLEED AIR TEST		244

**EFFECTIVITY CODE**

**Beechcraft**  
**STARSHIP 1**  
**WIRING DIAGRAM MANUAL**

**26-21-01**

# Beechcraft STARSHIP 1 WIRING DIAGRAM MANUAL



**Beechcraft**  
**STARSHIP 1**  
**WIRING DIAGRAM MANUAL**

REFERENCE DESIGNATOR	PART NUMBER	DESCRIPTION	USABLE	
			INSTL ZONE	ON CODE
26-21-01				
A106	122-382033-3	SW ASSY-LEFT ENGINE FIRE EXTINGUISHER	257	1
A106	122-382170-3	SW ASSY-LEFT ENGINE FIRE EXTINGUISHER	257	2
A129J16	451120-051	RCPT-RELAY	320	
A129K16	M6106/27-023	RELAY	320	
E135	122-380069-1	LEFT FIRE EXTINGUISHER BOTTLE	581	
E135J1	MS3476L8-33SW	RCPT-LEFT FIRE EXTINGUISHER BOTTLE	581	
E135J2	MS3476L8-33SW	RCPT-LEFT FIRE EXTINGUISHER BOTTLE	581	
J966	MS3476L10-6S	RCPT	583	
P521	MS3476L8-33SW	PLUG	581	
P893	M83723/86R803N	PLUG	581	
P966	MS3471L10-6P	PLUG	583	
S116	MB2061SW06BK	SW-LEFT ENGINE FIRE EXTINGUISHER TEST	244	
W429	M27500-22TE2U15	CABLE-2 CNDCT	581	
W430	M27500-22TE2U15	CABLE-2 CNDCT	234	
W695	M27500-22TE2U15	CABLE-2 CNDCT	583	

**EFFECTIVITY CODE**

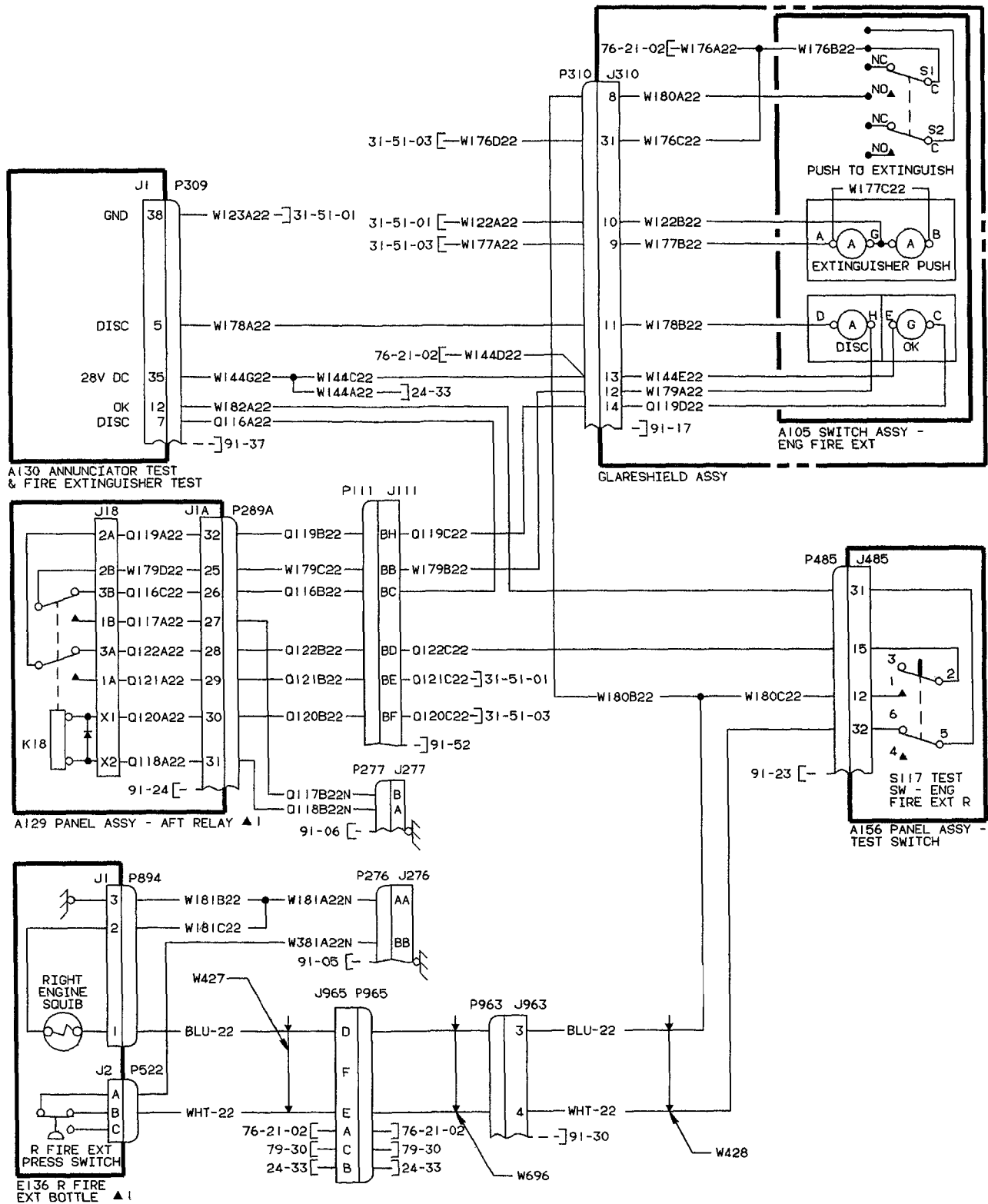
1. NC-4 THRU NC-53
2. NC-54 & AFTER



**Beechcraft**  
**STARSHIP 1**  
**WIRING DIAGRAM MANUAL**

**26-21-02**

# Beechcraft STARSHIP 1 WIRING DIAGRAM MANUAL



**EXTINGUISHER-ENGINE FIRE, RIGHT**

**Beechcraft**  
**STARSHIP 1**  
**WIRING DIAGRAM MANUAL**

REFERENCE DESIGNATOR	PART NUMBER	DESCRIPTION	USABLE	
			INSTL ZONE	ON CODE
26-21-02				
A105	122-382033-3	SW ASSY-ENGINE FIRE EXTINGUISHER	257	1
A105	122-382170-1	SW ASSY-ENGINE FIRE EXTINGUISHER	257	2
A129J18	451120-051	RCPT-RELAY	320	
A129K18	M6106/27-023	RELAY	320	
E136	122-380069-1	RIGHT FIRE EXTINGUISHER BOTTLE	681	
E136J1	MS3476L8-33SW	RCPT-RIGHT FIRE EXTINGUISHER BOTTLE	681	
E136J2	MS3476L8-33SW	RCPT-RIGHT FIRE EXTINGUISHER BOTTLE	681	
J965	MS3476L10-6S	RCPT	683	
P522	MS3476L8-33SW	PLUG	681	
P894	M83723/86R803N	PLUG	681	
P965	MS3471L10-6P	PLUG	683	
S117	MB2061SW06BK	SW-RIGHT ENGINE FIRE EXTINGUISHER TEST	244	
W427	M27500-22TE2U15	CABLE-2 CNDCT	681	
W428	M27500-22TE2U15	CABLE-2 CNDCT	234	
W696	M27500-22TE2U15	CABLE-2 CNDCT	683	

**EFFECTIVITY CODE**

1. NC-4 THRU NC-53
2. NC-54 & AFTER

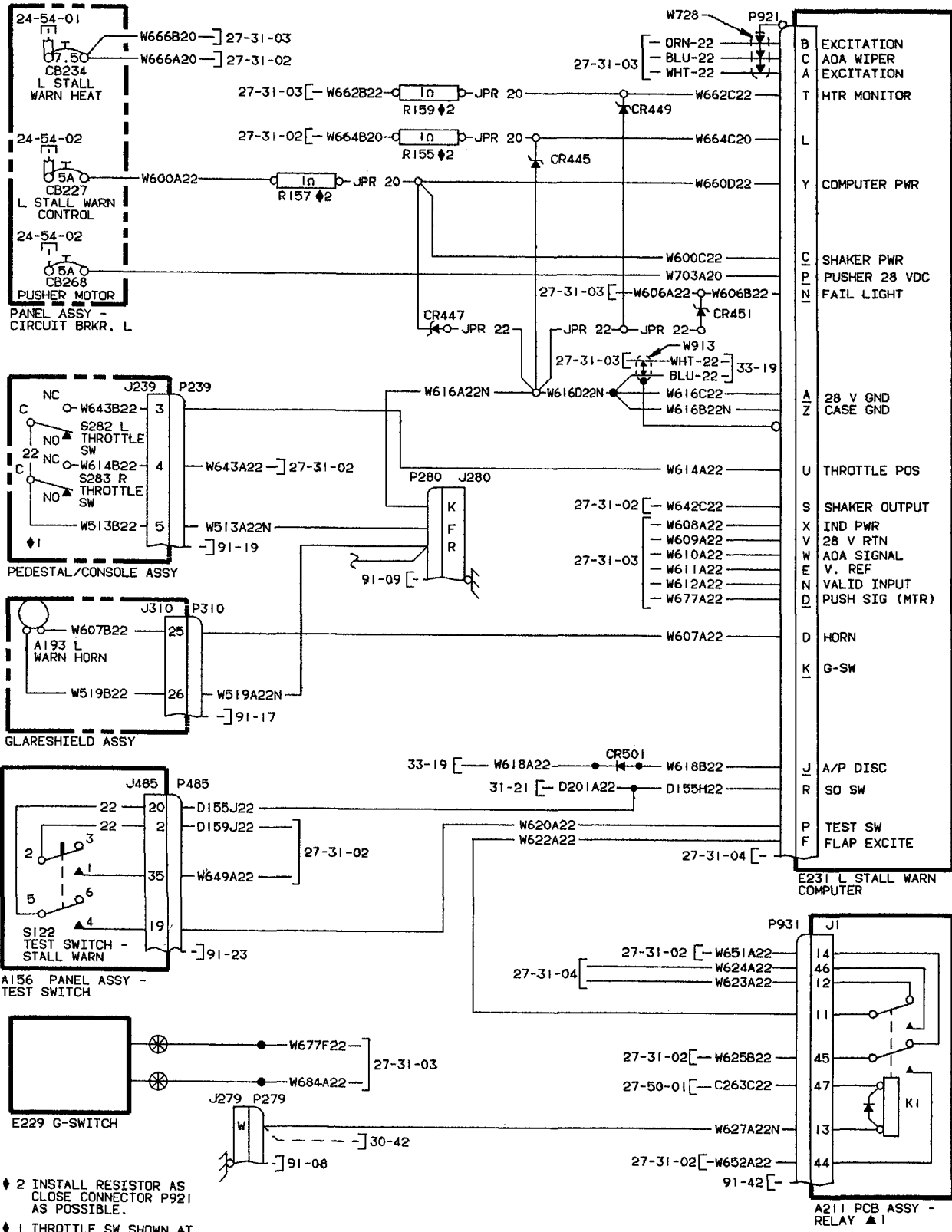
**Beechcraft**  
**STARSHIP 1**  
**WIRING DIAGRAM MANUAL**  
*LIST OF PAGES & TABLE OF CONTENTS*  
*for*  
**CHAPTER 27 - FLIGHT CONTROLS**

<b>SYS/SUB-SYS/ CHAP SECTION</b>	<b>PAGE NO.</b>	<b>EFFECTIVE DATE</b>	<b>TABLE OF CONTENTS</b>
<b>27-31-01</b>	Page 1	02/25/94	ELEVATOR & TAB-STALL WARNING, LH
	Page 2	02/25/94	
	Page 3	02/25/94	
<b>27-31-02</b>	Page 1	02/25/94	ELEVATOR & TAB-STALL WARNING, RH
	Page 2	02/25/94	
	Page 3	02/25/94	
<b>27-31-03</b>	Page 1	02/25/94	ELEVATOR & TAB-STALL WARNING, AOA INDICATOR
	Page 2	02/25/94	
	Page 3	02/25/94	
<b>27-31-04</b>	Page 1	02/25/94	ELEVATOR & TAB-STALL WARNING, LH
	Page 2	02/25/94	
	Page 3	02/25/94	
<b>27-50-01 (Config 1)</b>	Page 1	02/25/94	FLAP/FWD WING CONTROL
	Page 2	02/25/94	
	Page 3	02/25/94	
<b>27-50-01 (Config 2)</b>	Page 1	02/25/94	FLAP/FWD WING CONTROL
	Page 2	02/25/94	
	Page 3	02/25/94	
<b>27-50-02</b>	Page 1	02/25/94	FLAP/FWD WING CONTROL
	Page 2	02/25/94	
	Page 3	02/25/94	
<b>27-50-03</b>	Page 1	02/25/94	FLAP/FWD WING CONTROL-LEFT
	Page 2	02/25/94	
	Page 3	02/25/94	
<b>27-50-04</b>	Page 1	02/25/94	FLAP/FWD WING CONTROL-RIGHT
	Page 2	02/25/94	
	Page 3	02/25/94	
<b>27-50-05</b>	Page 1	02/25/94	FLAP/FWD WING CONTROL
	Page 2	02/25/94	
	Page 3	02/25/94	

**Beechcraft**  
**STARSHIP 1**  
**WIRING DIAGRAM MANUAL**

**27-31-01**

# Beechcraft STARSHIP 1 WIRING DIAGRAM MANUAL



◆ 2 INSTALL RESISTOR AS CLOSE CONNECTOR P921 AS POSSIBLE.  
 ◆ 1 THROTTLE SW SHOWN AT IDLE SETTING.

**ELEVATOR & TAB-STALL WARNING, LH**

**Beechcraft**  
**STARSHIP 1**  
**WIRING DIAGRAM MANUAL**

REFERENCE DESIGNATOR	PART NUMBER	DESCRIPTION	USABLE
			INSTL ON ZONE CODE
27-31-01			
A193	169-380021-9	HORN-LEFT STALL WARN	257
A211K1	M39016/6-209L	RELAY	237
CB227	131984-5	CB-LEFT STALL WARN CONTROL	236
CB234	131984-7	CB-LEFT STALL WARNING HEAT	236
CB268	131984-5	CB-STICK PUSHER MOTOR	236
CR445	704-15K36	TRANSZORB	222
CR447	704-15K36	TRANSZORB	222
CR449	704-15K36	TRANSZORB	222
CR451	704-15K36	TRANSZORB	222
CR501	1N4007	DIODE	212
E229	STL-20	SWITCH-GRAVITY	143
E231	SLZ7702-B-04	COMPUTER-LEFT STALL WARN	222
P921	MS3126F20-41S	PLUG-L STALL WARN COMPUTER	222
R155	95J1R0	RESISTOR	222
R157	95J1R0	RESISTOR	222
R159	95J1R0	RESISTOR	222
S122	MB2061SW06BK	SW-STALL WARNING TEST	244
S282	11SM3-S	SW-LEFT THROTTLE	239
S283	11SM3-S	SW-RIGHT THROTTLE	239
W728	M27500-22TE3T15	CABLE-3 CNDCT	222
W913	M27500-22TE2T15	CABLE-2 CNDCT	222

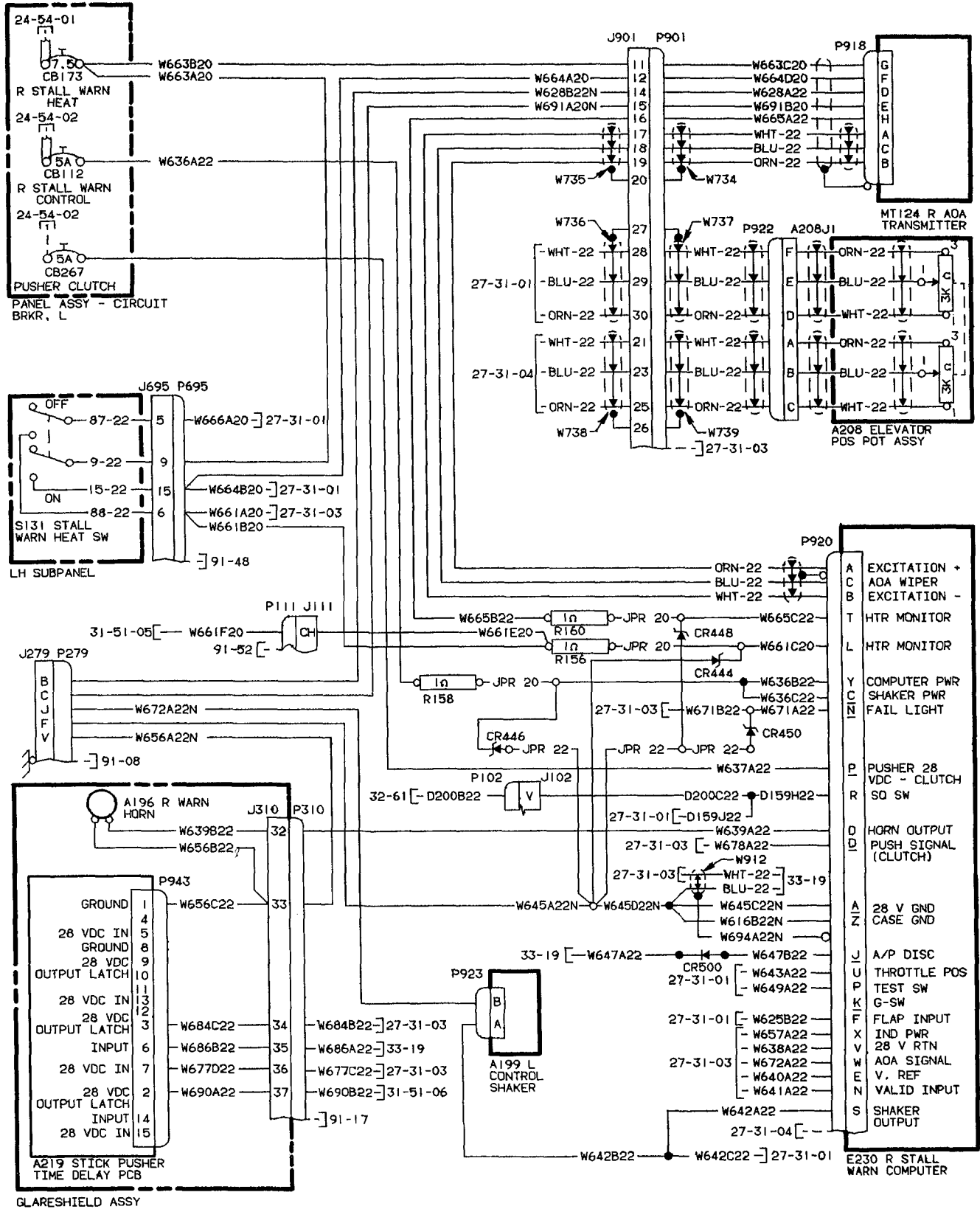
**EFFECTIVITY CODE**

**Beechcraft**  
**STARSHIP 1**  
**WIRING DIAGRAM MANUAL**

**27-31-02**



# Beechcraft STARSHIP 1 WIRING DIAGRAM MANUAL



## ELEVATOR & TAB-STALL WARNING, RH

**Beechcraft**  
**STARSHIP 1**  
**WIRING DIAGRAM MANUAL**

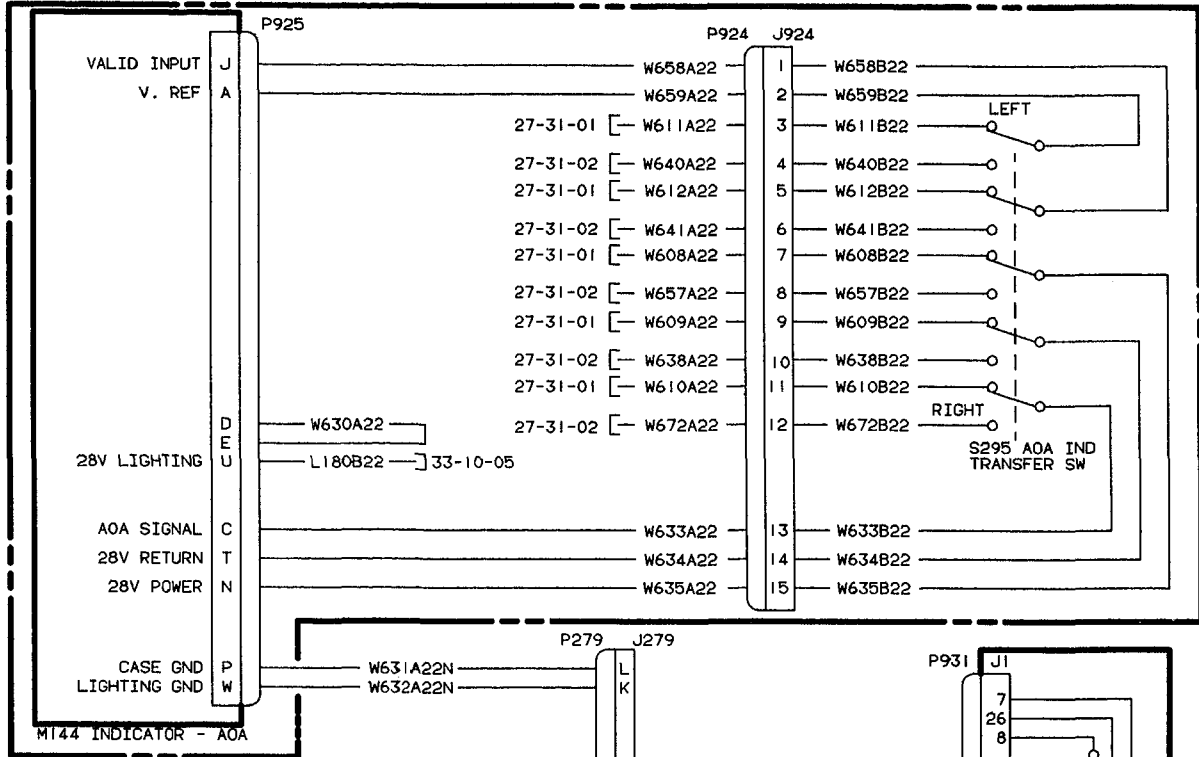
REFERENCE DESIGNATOR	PART NUMBER	DESCRIPTION	USABLE	
			INSTL ZONE	ON CODE
27-31-02				
A196	169-380021-9	HORN-RIGHT STALL WARN		257
A199	C-04402-3	SHAKER-LEFT CONTROL		221
A208	122-364204-1	POTENTIOMETER ASSY-ELEVATOR POSITION		213
A208J1	MS3471L10-6P	RCPT		213
A219	122-364195-1	PCB-STICK PUSHER TIME DELAY		257
CB112	131984-5	CB-RIGHT STALL WARN CONTROL		236
CB173	131984-7	CB-RIGHT STALL WARN HEAT		236
CB267	131984-5	CB-STICK PUSHER CLUTCH		236
CR444	704-15K36	TRANSZORB		222
CR446	704-15K36	TRANSZORB		222
CR448	704-15K36	TRANSZORB		222
CR450	704-15K36	TRANSZORB		222
CR500	1N4007	DIODE		212
E230	SLZ-7702-B-04	COMPUTER-RIGHT STALL WARN		222
J901	206306-2	RCPT		142
MT124	SLZ7306	TRANSMITTER-RIGHT AOA		122
P901	206305-1	PLUG		142
P918	MS3120E12-10S	PLUG-RIGHT AOA TRANSMITTER		122
P920	MS3126F20-41S	PLUG-R STALL WARN COMPUTER		221
P922	MS3476L10-6S	PLUG-ELEVATOR POSITION POTENTIOMETER		213
P923	PT06A8-2S	PLUG-STALL SHAKER		221
P943	13016ASM-15S	PLUG-STICK PUSHER TIME DELAY		257
R156	95J1R0	RESISTOR		221
R158	95J1R0	RESISTOR		221
R160	95J1R0	RESISTOR		221
S131	112TW91-3	SW-STALL WARN HEAT		233
S131	MS21347-731	ALTN FOR 112TW91-3		233
W734	M27500-22TE3T14	CABLE-3 CNDCT		142
W735	M27500-22TE3T14	CABLE-3 CNDCT		221
W736	M27500-22TE3T14	CABLE-3 CNDCT		222
W737	M27500-22TE3T14	CABLE-3 CNDCT		142
W738	M27500-22TE3T14	CABLE-3 CNDCT		236
W739	M27500-22TE3T14	CABLE-3 CNDCT		142
W912	M27500-22TE2T14	CABLE-2 CNDCT		222

EFFECTIVITY CODE

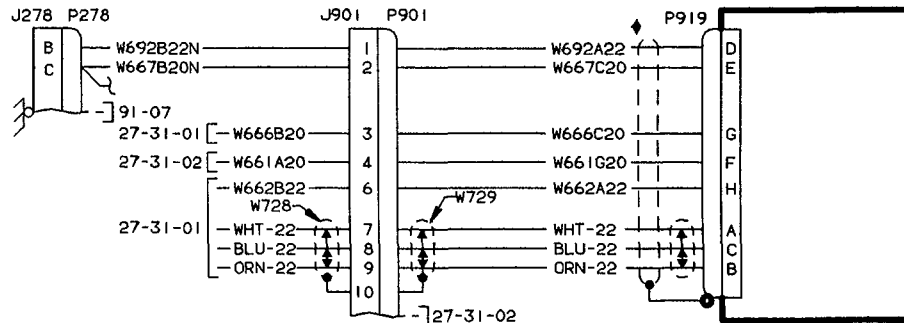
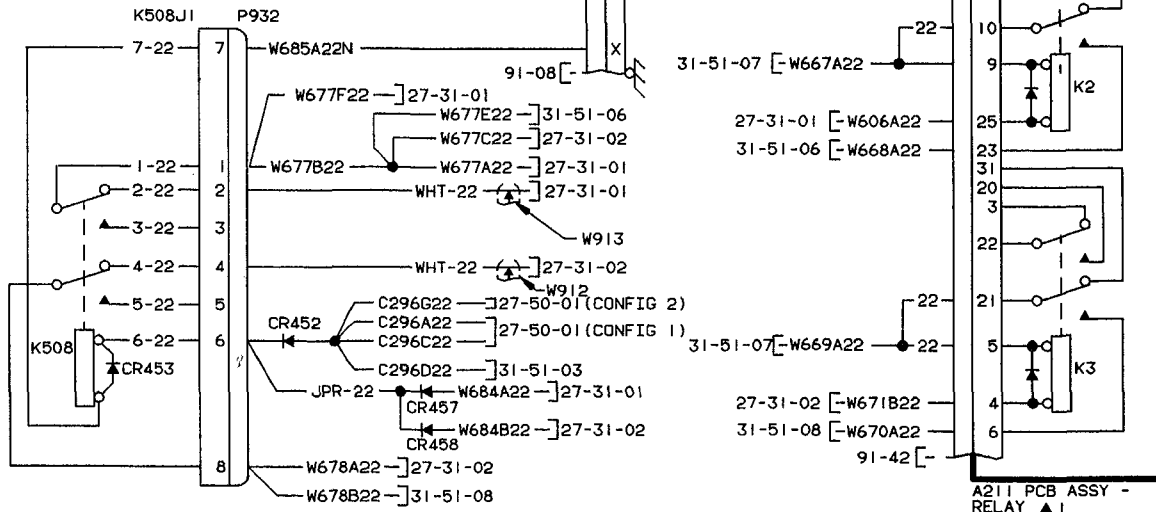
**Beechcraft**  
**STARSHIP 1**  
**WIRING DIAGRAM MANUAL**

**27-31-03**

# Beechcraft STARSHIP 1 WIRING DIAGRAM MANUAL



L UPPER CONSOLE



ELEVATOR & TAB-STALL WARNING, AOA INDICATOR

MT123 TRANSMITTER - AOA, L

**Beechcraft**  
**STARSHIP 1**  
**WIRING DIAGRAM MANUAL**

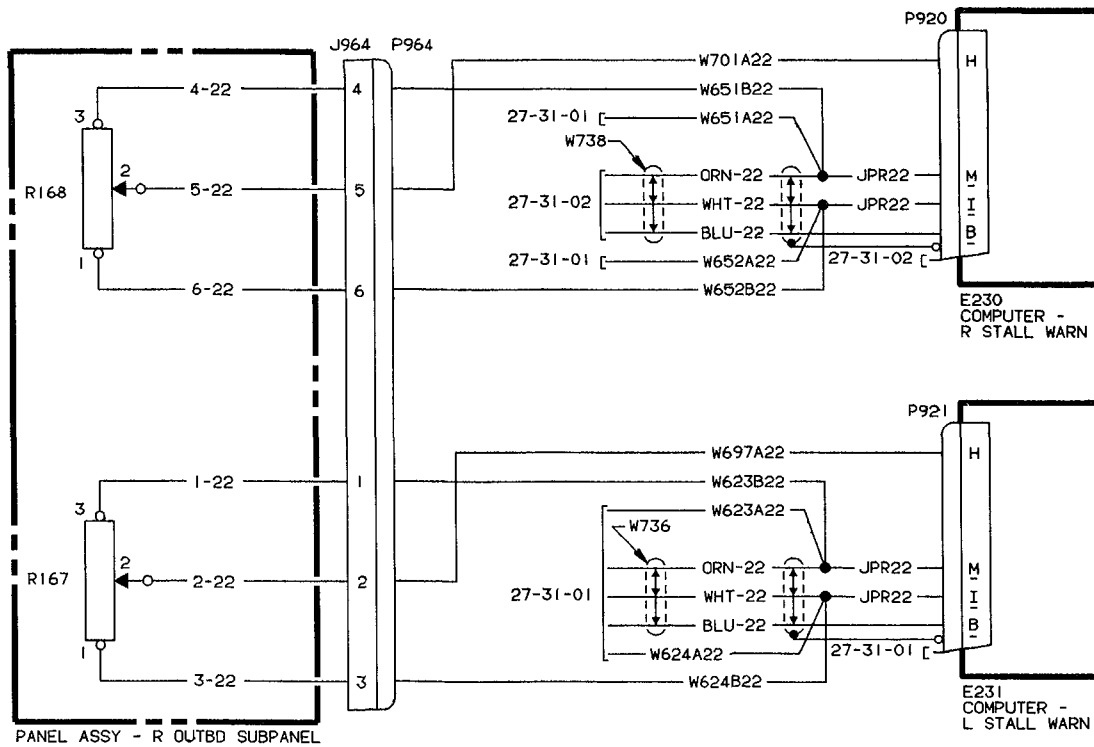
REFERENCE DESIGNATOR	PART NUMBER	DESCRIPTION	USABLE INSTL ON ZONE CODE
27-31-03			
A211K2	M39016/6-209L	RELAY	237
A211K3	M39016/6-209L	RELAY	237
CR452	1N4007	DIODE	222
CR453	1N4007	DIODE	222
CR457	1N4007	DIODE	222
CR458	1N4007	DIODE	222
J901	206306-2	RCPT	142
J924	207443-1	RCPT	259
K508	50-380048-1	RELAY	222
K508J1	207440-1	RCPT	222
MT123	SLZ7306	TRANSMITTER-LEFT AOA	121
M144	122-382153-1	AOA INDICATOR	259
P901	206305-1	PLUG	142
P919	MS3120E12-10S	PLUG-LEFT AOA TRANSMITTER	121
P924	207442-1	PLUG-AOA INDICATOR TRANSFER	259
P925	MS3126F16-26S	PLUG-AOA INDICATOR	259
P932	207439-1	PLUG	222
S295	A3-202-05	SW-AOA INDICATOR TRANSFER	259
W728	M27500-22TE3T15	CABLE-3 CNDCT	222
W729	M27500-22TE3T14	CABLE-3 CNDCT	142
W912	M27500-22TE2T14	CABLE-2 CNDCT	222
W913	M27500-22TE2T15	CABLE-2 CNDCT	222

**EFFECTIVITY CODE**

**Beechcraft**  
**STARSHIP 1**  
**WIRING DIAGRAM MANUAL**

**27-31-04**

# Beechcraft STARSHIP 1 WIRING DIAGRAM MANUAL



## ELEVATOR & TAB-STALL WARNING, LH

**Beechcraft**  
**STARSHIP 1**  
**WIRING DIAGRAM MANUAL**

REFERENCE DESIGNATOR	PART NUMBER	DESCRIPTION	USABLE
			INSTL ON ZONE CODE
27-31-04			
J964	207153-1	RCPT	234
P964	207152-1	PLUG	234
R167	3059J-1-103M	TRIM POTENTIOMETER	234
R168	3059J-1-103M	TRIM POTENTIOMETER	234

EFFECTIVITY CODE



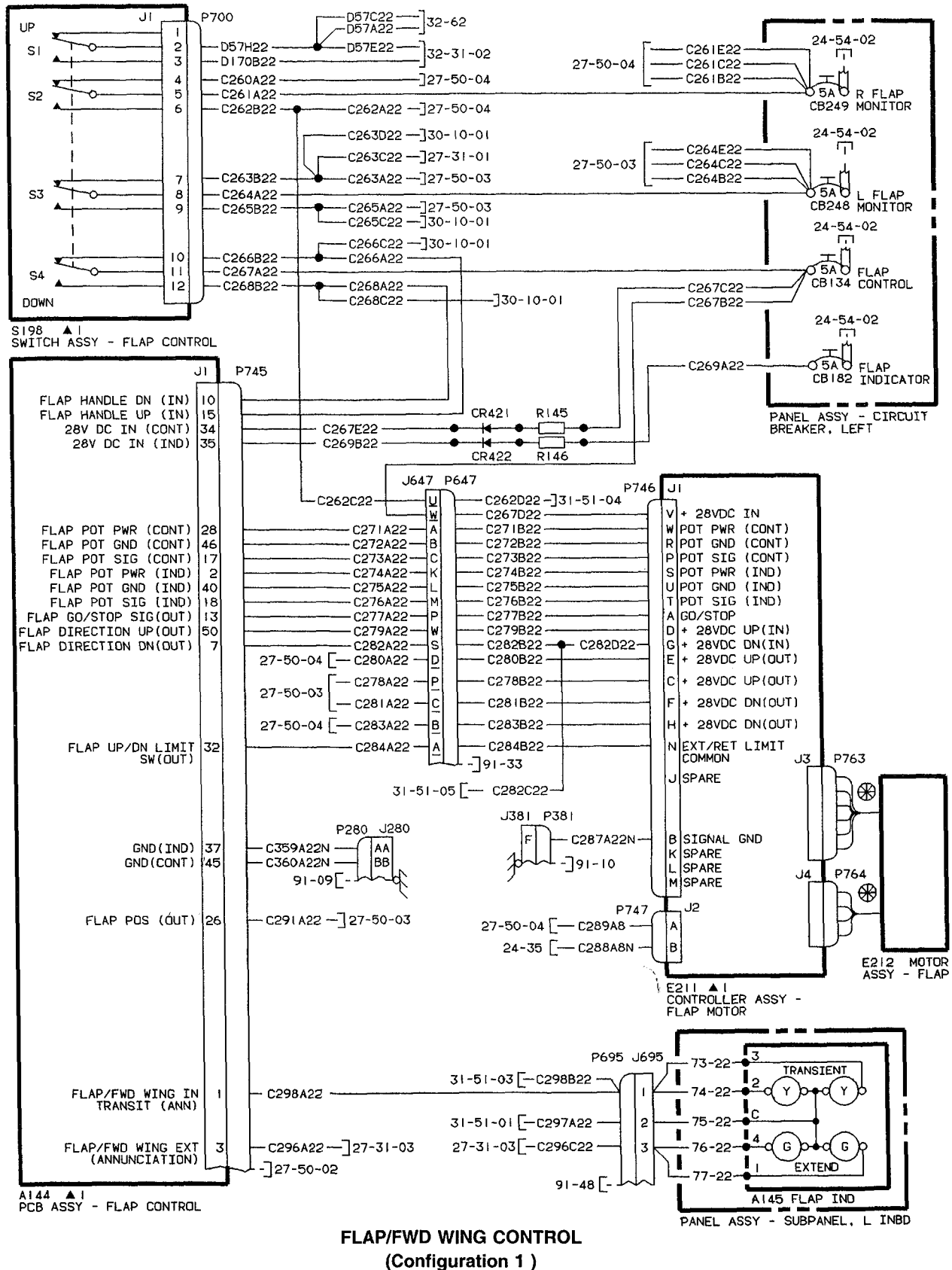
**Beechcraft**  
**STARSHIP 1**  
**WIRING DIAGRAM MANUAL**

# **27-50-01**

## **Configuration 1**

**NC-4 THRU NC-20**

# Beechcraft STARSHIP 1 WIRING DIAGRAM MANUAL



**Beechcraft**  
**STARSHIP 1**  
**WIRING DIAGRAM MANUAL**

REFERENCE DESIGNATOR	PART NUMBER	DESCRIPTION	USABLE	
			INSTL ZONE	ON CODE
<b>27-50-01</b> <b>(Configuration 1 )</b>				
A144	122-364166-9	PCB ASSY-FLAP CONTROL	237	1
A144J1	DDM50PD	RCPT	237	1
A145	122-382034-13	INDICATOR-FLAP	233	1
CB134	131984-5	CB-FLAP CONTROL	236	1
CB182	131984-5	CB-FLAP INDICATOR	236	1
CB248	131984-5	CB-LEFT FLAP MONITOR	236	1
CB249	131984-5	CB-RIGHT FLAP MONITOR	236	1
CR421	1N4007	DIODE	237	1
CR422	1N4007	DIODE	237	1
E211	122-381014-25	CONTROLLER ASSY-FLAP MOTOR	556	1
E212	122-381014-21	FLAP MOTOR ASSY	556	1
P700	206037-1	PLUG	239	1
P745	130106DSM-50S	PLUG	237	1
P746	MS3476L16-26SW	PLUG	556	1
P747	MS3106F20-23S	PLUG-FLAP MOTOR POWER	556	1
R145	95J1R0	RESISTOR	237	1
R146	95J3R9	RESISTOR	237	1
S198	122-382037-1	SW ASSY-FLAP CONTROL	239	1
S198J1	206038-1	RCPT-FLAP CONTROL	239	1

**EFFECTIVITY CODE**

1. NC-4 THRU NC-20

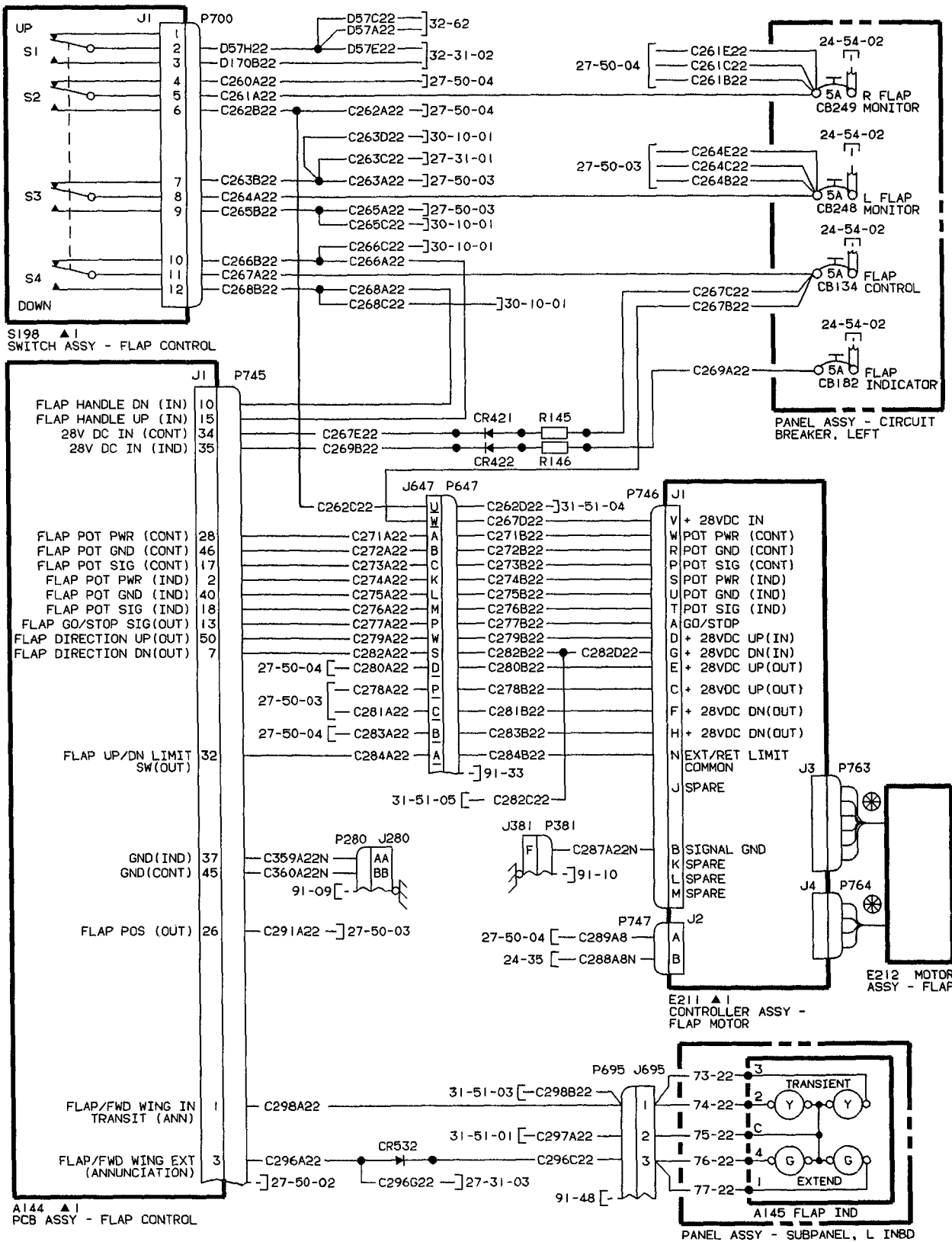
**Beechcraft**  
**STARSHIP 1**  
**WIRING DIAGRAM MANUAL**

# **27-50-01**

## **Configuration 2**

**NC-21 & AFTER**

# Beechcraft STARSHIP 1 WIRING DIAGRAM MANUAL



**FLAP/FWD WING CONTROL  
(Configuration 2)**

**Beechcraft**  
**STARSHIP 1**  
**WIRING DIAGRAM MANUAL**

REFERENCE DESIGNATOR	PART NUMBER	DESCRIPTION	USABLE	
			INSTL ZONE	ON CODE
27-50-01 (Configuration 2 )				
A144	122-364166-9	PCB ASSY-FLAP CONTROL	237	1
A144J1	DDM50PD	RCPT	237	1
A145	122-382034-13	INDICATOR-FLAP	233	1
CB134	131984-5	CB-FLAP CONTROL	236	1
CB182	131984-5	CB-FLAP INDICATOR	236	1
CB248	131984-5	CB-LEFT FLAP MONITOR	236	1
CB249	131984-5	CB-RIGHT FLAP MONITOR	236	1
CR421	1N4007	DIODE	237	1
CR422	1N4007	DIODE	237	1
CR532	1N4007	DIODE	233	1
E211	122-381014-25	CONTROLLER ASSY-FLAP MOTOR	556	1
E212	122-381014-21	FLAP MOTOR ASSY	556	1
P700	206037-1	PLUG	239	1
P745	130106DSM-50S	PLUG	237	1
P746	MS3476L16-26SW	PLUG	556	1
P747	MS3106F20-23S	PLUG-FLAP MOTOR POWER	556	1
R145	95J1R0	RESISTOR	237	1
R146	95J3R9	RESISTOR	237	1
S198	122-382037-1	SW ASSY-FLAP CONTROL	239	1
S198J1	206038-1	RCPT-FLAP CONTROL	239	1

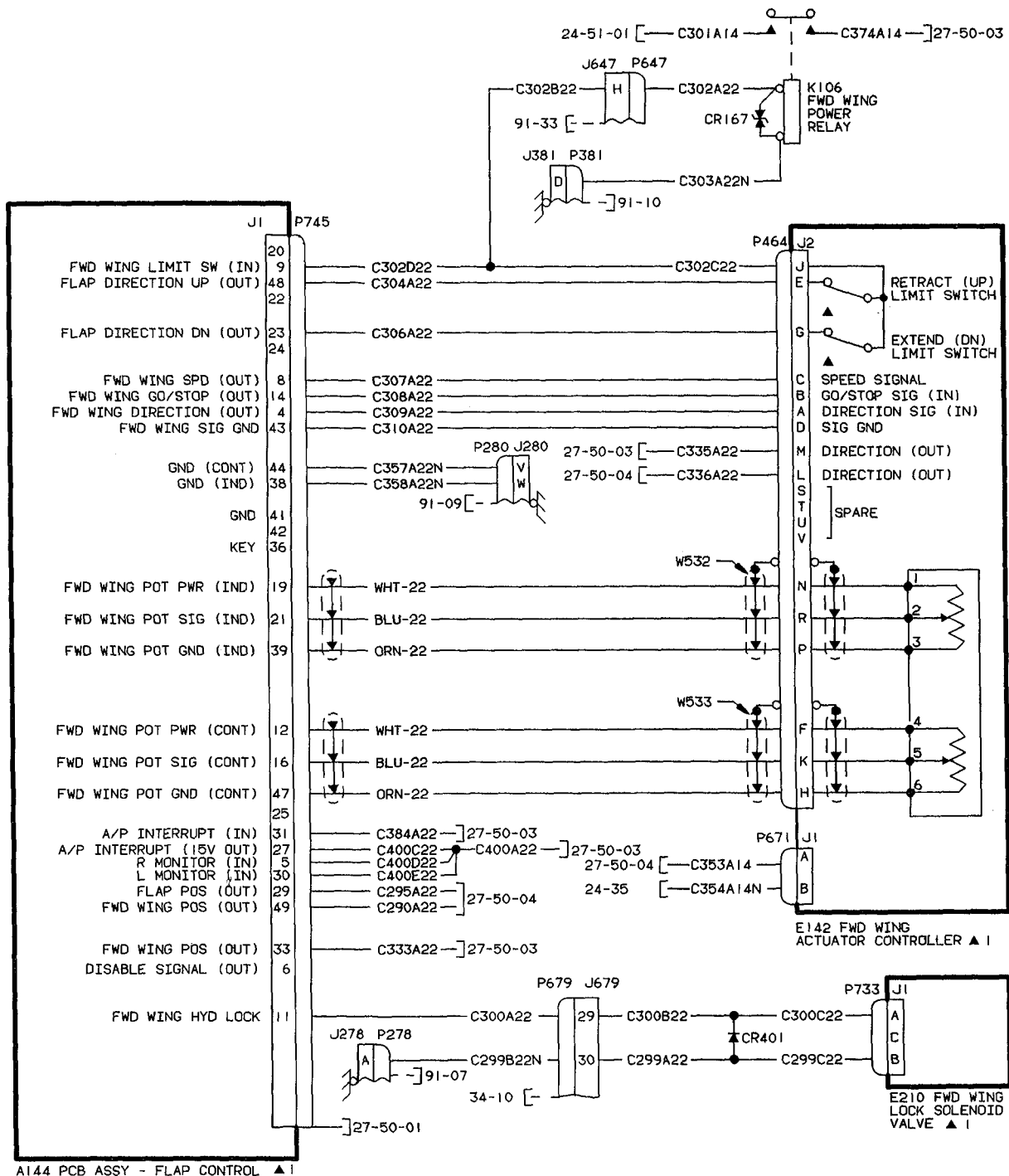
**EFFECTIVITY CODE**

1. NC-21 & AFTER

**Beechcraft**  
**STARSHIP 1**  
**WIRING DIAGRAM MANUAL**

**27-50-02**

# Beechcraft STARSHIP 1 WIRING DIAGRAM MANUAL



## FLAP/FWD WING CONTROL



**Beechcraft**  
**STARSHIP 1**  
**WIRING DIAGRAM MANUAL**

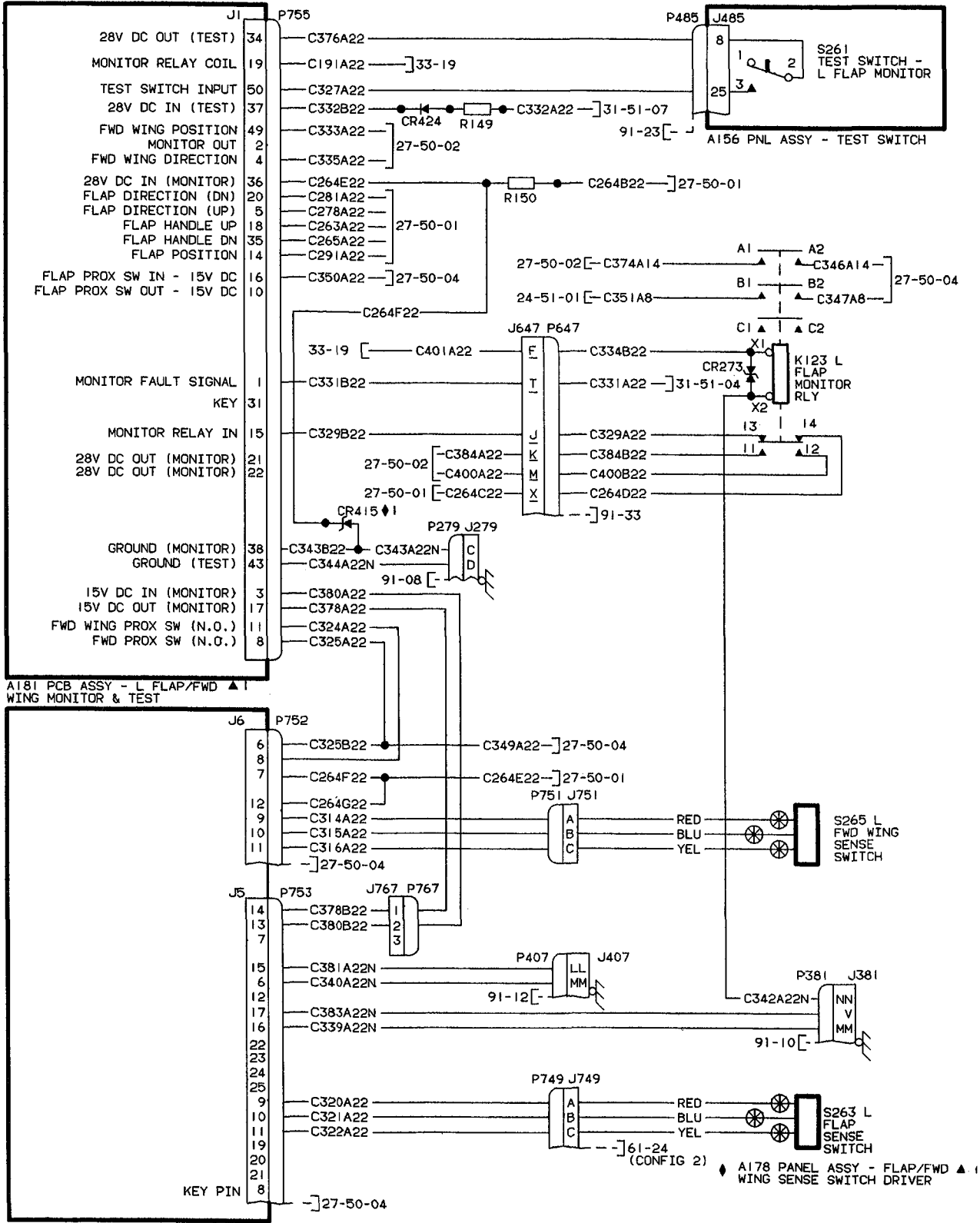
REFERENCE DESIGNATOR	PART NUMBER	DESCRIPTION	USABLE	
			INSTL	ON ZONE CODE
27-50-02				
CR167	100-361045-1	TRANSZORB ASSY		547
CR401	1N4007	DIODE		211
E142	122-380011-7	CONTROLLER-FWD WING ACTUATOR		211
E142J1	MS3102E20-23P	RCPT-POWER		211
E142J2	MS3112E12-10P	RCPT-SIGNAL		211
E210	122-381032-1	VALVE ASSY-FWD WING LOCK		211
E210J1	MS3122E8-3P	RCPT		211
J679	206151-2	RCPT-FWD HORN BREAK		142
K106	109-381002-1	RELAY-FWD WING POWER		547
P464	MS3476L14-19S	PLUG		211
P671	MS3106F20-23S	PLUG		211
P679	206150-1	PLUG-FWD HORN BREAK		142
P733	MS3476L8-33S	PLUG		211
W532	M27500-22TE3T14	CABLE-3 CNDCT		211
W533	M27500-22TE3T14	CABLE-3 CNDCT		211

**EFFECTIVITY CODE**

**Beechcraft**  
**STARSHIP 1**  
**WIRING DIAGRAM MANUAL**

**27-50-03**

# Beechcraft STARSHIP 1 WIRING DIAGRAM MANUAL



**FLAP/FWD WING CONTROL-LEFT**

**Beechcraft**  
**STARSHIP 1**  
**WIRING DIAGRAM MANUAL**

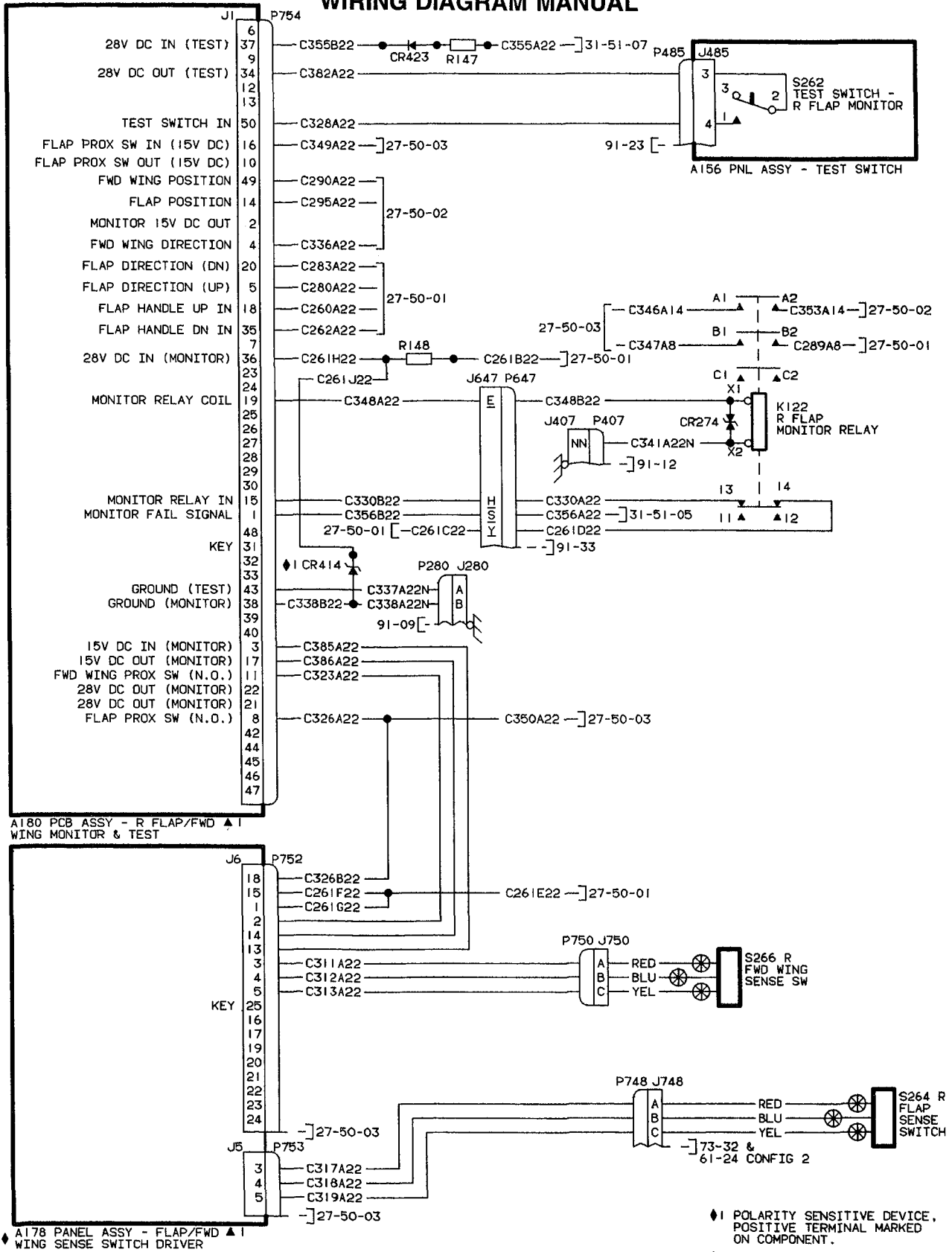
REFERENCE DESIGNATOR	PART NUMBER	DESCRIPTION	USABLE INSTL ON ZONE CODE
27-50-03			
A178	122-364165-25	PANEL ASSY-FLAP/FWD WING	175
A178J5	205560-2	RCPT	175
A178J6	205560-2	RCPT	175
A181	122-364168-17	PCB ASSY-L FLAP/FWD WING MONITOR	237
A181J1	DDM50PD	RCPT	237
CR273	100-361045-1	TRANSZORB ASSY	547
CR415	704-15K36	TRANSZORB	237
CR424	1N4007	DIODE	237
J749	MS3456KT18-1P	RCPT-LEFT FLAP SENSOR	561
J751	MS3471L8-33P	RCPT-LEFT FWD WING SENSE	211
J767	207359-1	RCPT	175
K123	MS24376-D2	RELAY-LEFT FLAP MONITOR	547
P749	MS3450L18-1S	PLUG-LEFT FLAP SENSOR	561
P751	MS3476L8-33S	PLUG-LEFT FWD WING SENSE	211
P752	130106BSM-25S	PLUG-MONITOR BOX	175
P753	130106BSM-25S	PLUG-MONITOR BOX	175
P753	130106BSM-25S	PLUG-MONITOR BOX	175
P755	130106DSM-50S	PLUG-FLAP/FWD WING MONITOR	237
P767	207360-1	PLUG-FLAP/FWD WING CONTROL	175
R149	95J3R9	RESISTOR	237
R150	95J1R0	RESISTOR	237
S261	MB2011SW06BK	SW-LEFT FLAP MONITOR TEST	244
S263	390FW05-2	SWITCH-LEFT FLAP SENSE	562
S265	390FW05-6	SENSOR-LEFT FWD WING	211

**EFFECTIVITY CODE**

**Beechcraft**  
**STARSHIP 1**  
**WIRING DIAGRAM MANUAL**

**27-50-04**

# Beechcraft STARSHIP 1 WIRING DIAGRAM MANUAL



◆ POLARITY SENSITIVE DEVICE, POSITIVE TERMINAL MARKED ON COMPONENT.  
◆ FOR INTERNAL WIRING OF A178 SEE SHEET 27-50-05.

## FLAP/FWD WING CONTROL-RIGHT

**Beechcraft**  
**STARSHIP 1**  
**WIRING DIAGRAM MANUAL**

REFERENCE DESIGNATOR	PART NUMBER	DESCRIPTION	USABLE	
			INSTL ZONE	ON CODE
27-50-04				
A178	122-364165-25	PANEL ASSY-FLAP/FWD WING		175
A178J5	205560-2	RCPT		175
A178J6	205560-2	RCPT		175
A180	122-364168-17	PCB ASSY-R FLAP/FWD WING MONITOR		237
A180J1	DDM50PD	RCPT		237
CR274	100-361045-1	TRANSZORB ASSY		547
CR414	704-15K36	TRANSZORB		237
CR423	1N4007	DIODE		237
J748	MS3456KT18-1P	RCPT-RIGHT FLAP SENSOR		661
J750	MS3471L8-33P	RCPT-RIGHT FWD WING SENSE		212
K122	MS24376-D2	RELAY-RIGHT FLAP MONITOR		547
P748	MS3450L18-1S	PLUG-RIGHT FLAP SENSOR		661
P750	MS3476L8-33S	PLUG-RIGHT FWD WING SENSE		212
P752	130106BSM-25S	PLUG-MONITOR BOX		175
P754	130106DSM-50S	PLUG		237
R147	95J3R9	RESISTOR		237
R148	95J1R0	RESISTOR		237
S262	MB2011SW06BK	SW-FLAP MONITOR TEST,RIGHT		244
S264	390FW05-2	SW-RIGHT FLAP SENSE		662
S266	390FW05-6	SENSOR-RIGHT FWD WING		212

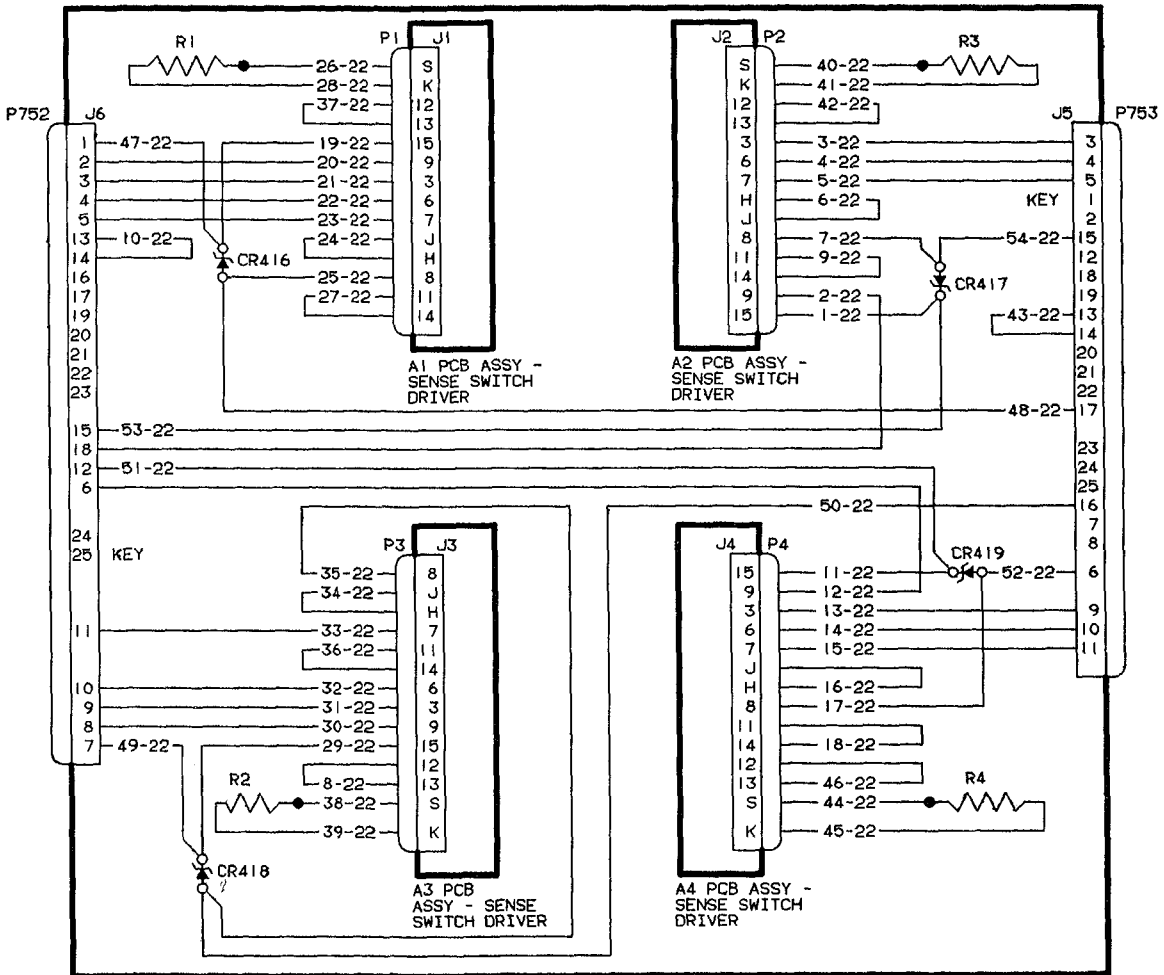
**EFFECTIVITY CODE**

**Beechcraft**  
**STARSHIP 1**  
**WIRING DIAGRAM MANUAL**

**27-50-05**



# Beechcraft STARSHIP 1 WIRING DIAGRAM MANUAL



A178 PANEL ASSY - FLAP/FWD WING SENSE SWITCH DRIVER

## FLAP/FWD WING CONTROL

**Beechcraft**  
**STARSHIP 1**  
**WIRING DIAGRAM MANUAL**

REFERENCE DESIGNATOR	PART NUMBER	DESCRIPTION	USABLE IN STL ON ZONE CODE
27-50-05			
A178	122-364165-25	PANEL ASSY-FLAP/FWD WING	175
A178A1	405FW504-B	PCB-SENSE SWITCH DRIVER	175
A178A2	405FW504-B	PCB-SENSE SWITCH DRIVER	175
A178A3	405FW504-B	PCB-SENSE SWITCH DRIVER	175
A178A4	405FW504-B	PCB-SENSE SWITCH DRIVER	175
A178J5	205560-2	RCPT	175
A178J6	205560-2	RCPT	175
A178P1	582553-1	PLUG	175
A178P2	582553-1	PLUG	175
A178P3	582553-1	PLUG	175
A178P4	582553-1	PLUG	175
A178R1	RCR42G202JS	RESISTOR	175
A178R2	RCR42G202JS	RESISTOR	175
A178R3	RCR42G202JS	RESISTOR	175
A178R4	RCR42G202JS	RESISTOR	175
CR416	704-15K36	TRANSZORB	175
CR417	704-15K36	TRANSZORB	175
CR418	704-15K36	TRANSZORB	175
CR419	704-15K36	TRANSZORB	175

**EFFECTIVITY CODE**

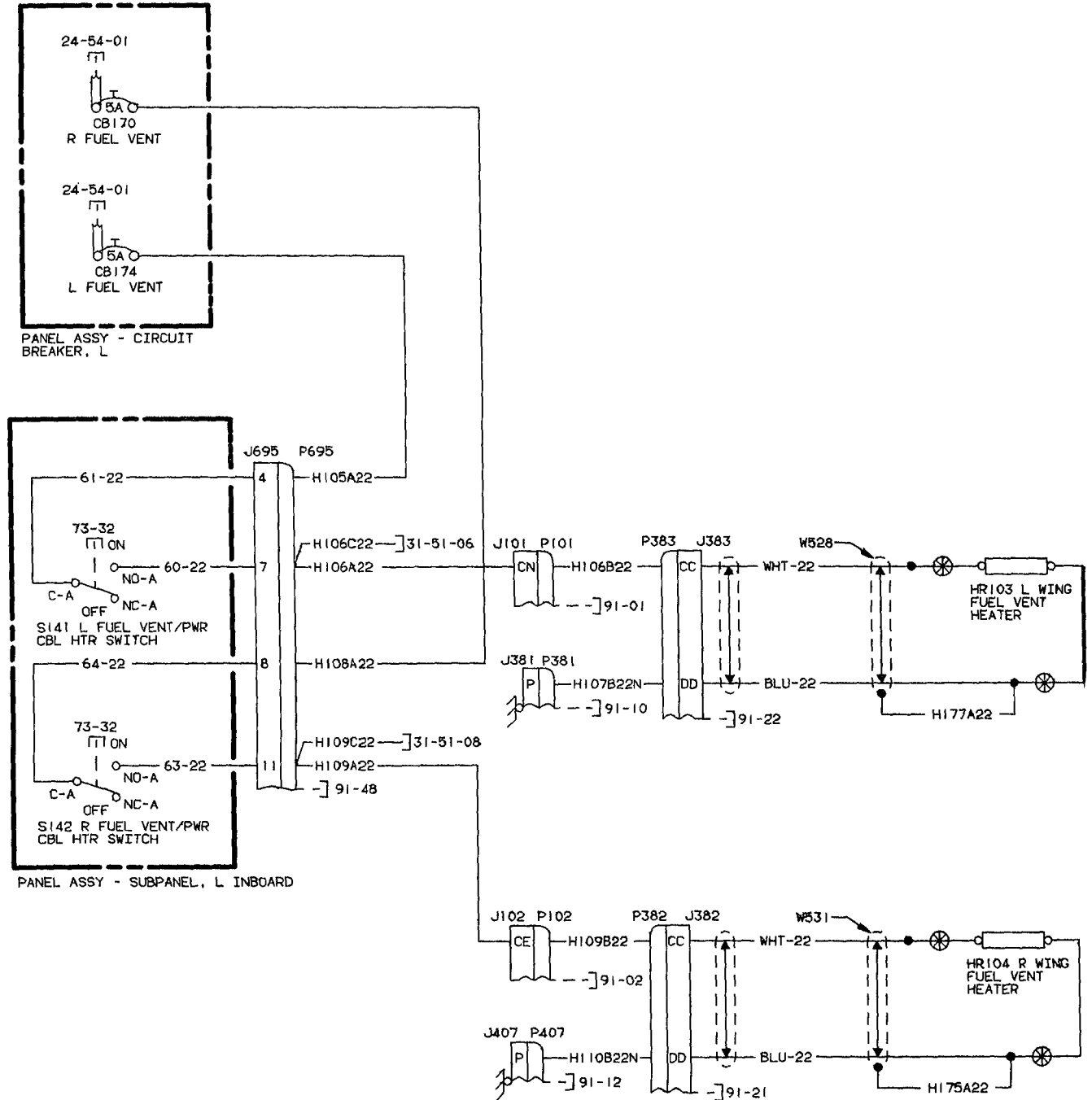
**Beechcraft**  
**STARSHIP 1**  
**WIRING DIAGRAM MANUAL**  
*LIST OF PAGES & TABLE OF CONTENTS*  
*for*  
**CHAPTER 28 - FUEL**

<b>SYS/SUB-SYS/ CHAP SECTION</b>	<b>PAGE NO.</b>	<b>EFFECTIVE DATE</b>	<b>TABLE OF CONTENTS</b>
<b>28-11-00</b>	Page 1	02/25/94	STORAGE-FUEL VENT HEATER
	Page 2	02/25/94	
	Page 3	02/25/94	
<b>28-21-01</b>	Page 1	02/25/94	DISTRIBUTION-AUXILIARY FUEL PUMP & CROSS TRANSFER
	Page 2	02/25/94	
	Page 3	02/25/94	
<b>28-21-02</b>	Page 1	02/25/94	DISTRIBUTION-AUXILIARY FUEL PUMP & CROSS TRANSFER
	Page 2	02/25/94	
	Page 3	02/25/94	
<b>28-22-01</b>	Page 1	02/25/94	DISTRIBUTION-FUEL QUANTITY, LEFT
	Page 2	02/25/94	
	Page 3	02/25/94	
<b>28-22-02</b>	Page 1	02/25/94	DISTRIBUTION-FUEL QUANTITY, RIGHT
	Page 2	02/25/94	
	Page 3	02/25/94	
<b>28-43-00</b>	Page 1	02/25/94	INDICATING-FUEL WARNING, LOW PRESSURE
	Page 2	02/25/94	
	Page 3	02/25/94	
<b>28-44-00</b>	Page 1	02/25/94	INDICATING-LOW FUEL WARNING
	Page 2	02/25/94	
	Page 3	02/25/94	
<b>28-45-00</b>	Page 1	02/25/94	INDICATING-WARNING, LOW FUEL TEMPERATURE
	Page 2	02/25/94	
	Page 3	02/25/94	

**Beechcraft**  
**STARSHIP 1**  
**WIRING DIAGRAM MANUAL**

**28-11-00**

# Beechcraft STARSHIP 1 WIRING DIAGRAM MANUAL



**STORAGE-FUEL VENT HEATER**

**Beechcraft**  
**STARSHIP 1**  
**WIRING DIAGRAM MANUAL**

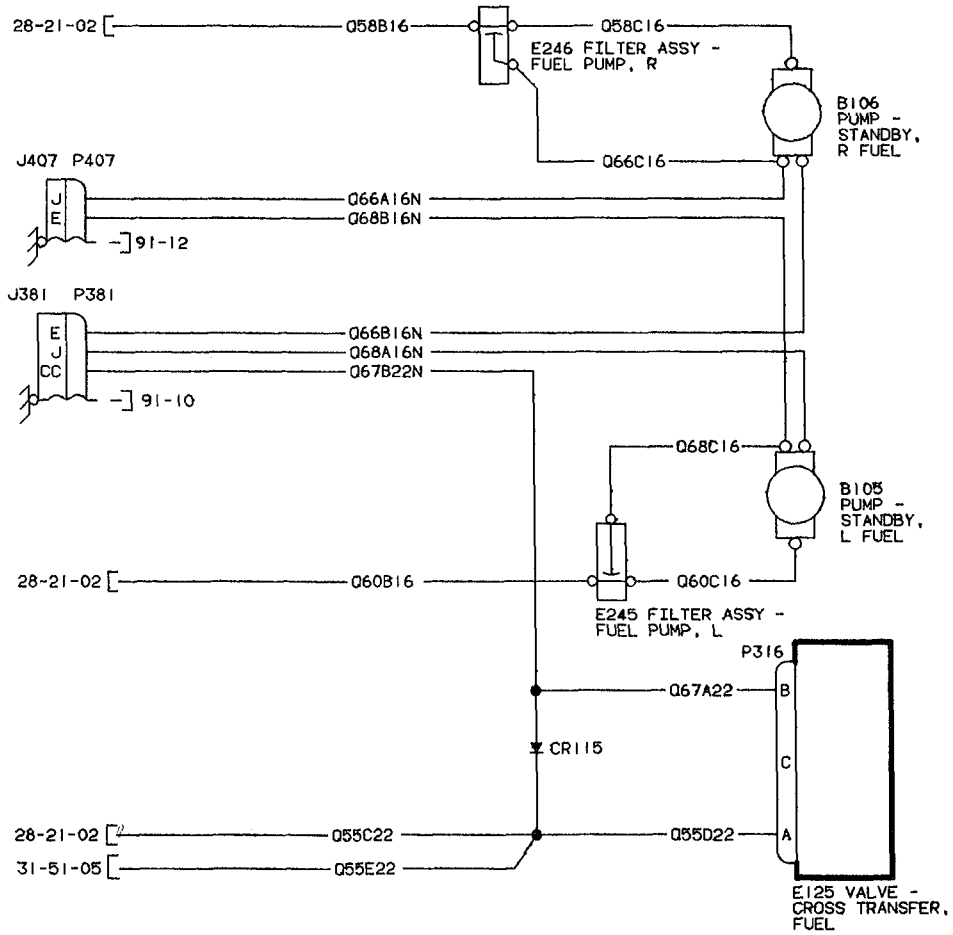
REFERENCE DESIGNATOR	PART NUMBER	DESCRIPTION	USABLE INSTL ON ZONE CODE
<b>28-11-00</b>			
CB170	131984-5	CB-RIGHT FUEL VENT HEAT	236
CB174	131984-5	CB-LEFT FUEL VENT HEAT	236
HR103	122-389025-3	HEATER-LEFT WING FUEL VENT	552
HR104	122-389025-3	HEATER-RIGHT WING FUEL VENT	652
S141	62AT46-3	SW-L FUEL VENT/POWER CABLE HEATER	233
S141	MS21347-731	ALTN FOR 62AT46-3	233
S142	62AT46-3	SW-R FUEL VENT/POWER CABLE HEATER	233
S142	MS21347-731	ALTN FOR 62AT46-3	233
W528	M27500-22TE2T14	CABLE-2 CNDCT	552
W531	M27500-22TE2T14	CABLE-2 CNDCT	652

**EFFECTIVITY CODE**

**Beechcraft**  
**STARSHIP 1**  
**WIRING DIAGRAM MANUAL**

**28-21-01**

# Beechcraft STARSHIP 1 WIRING DIAGRAM MANUAL



**DISTRIBUTION-AUXILIARY FUEL PUMP & CROSS TRANSFER**



**Beechcraft**  
**STARSHIP 1**  
**WIRING DIAGRAM MANUAL**

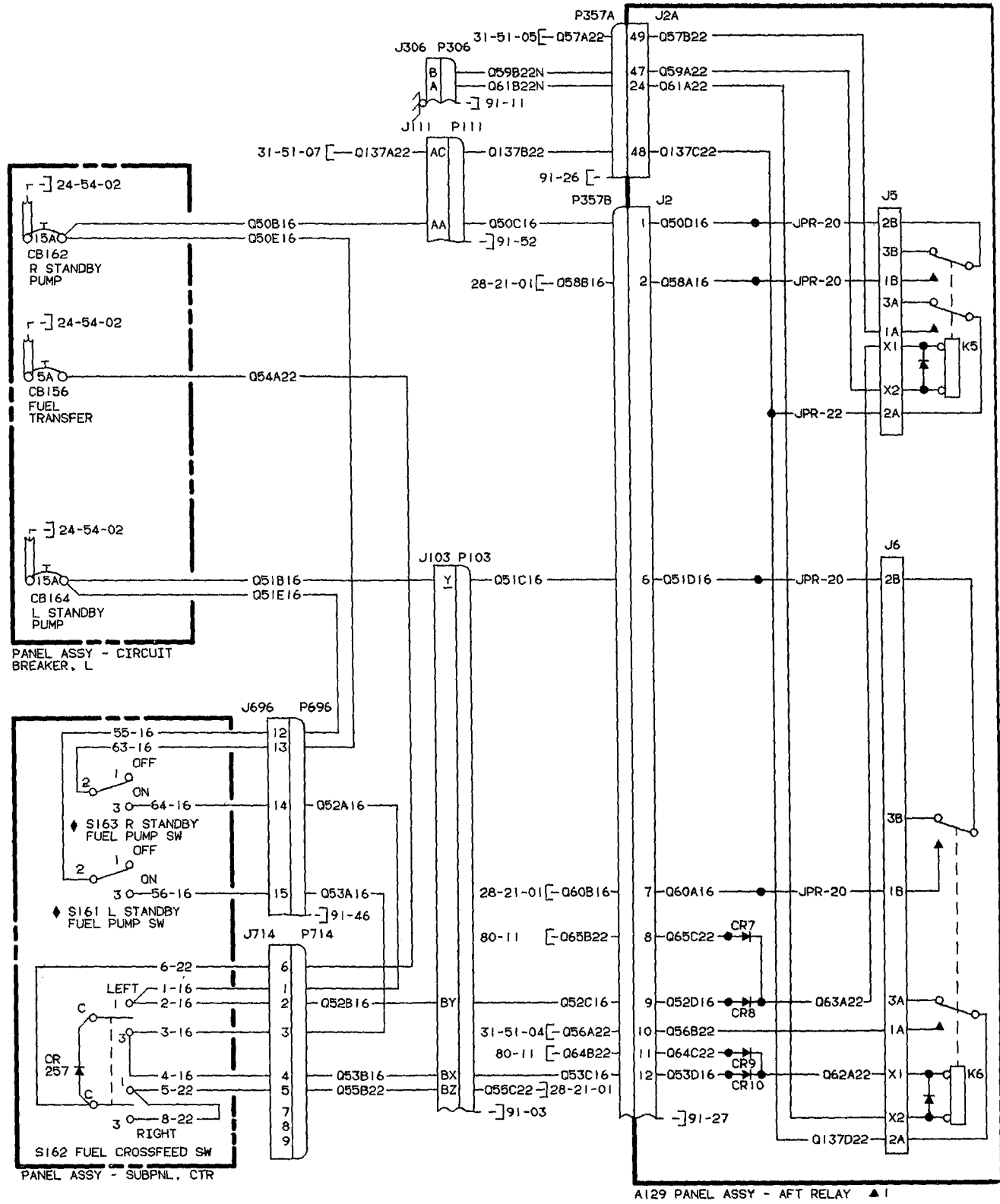
<b>REFERENCE DESIGNATOR</b>	<b>PART NUMBER</b>	<b>DESCRIPTION</b>	<b>USABLE INSTL ON ZONE CODE</b>
<b>28-21-01</b>			
B105	122-920051-43	PUMP-LEFT STANDBY FUEL	531
B106	122-920051-43	PUMP-RIGHT STANDBY FUEL	631
CR115	1N4007	DIODE	527
E125	100-389020-1	VALVE-FUEL CROSS XFR	541
E245	A-1437	FILTER ASSY-LEFT FUEL PUMP	527
E246	A-1437	FILTER ASSY-RIGHT FUEL PUMP	627
P316	MS3456L10SL-3S	PLUG-FUEL XFR VALVE	541

**EFFECTIVITY CODE**

**Beechcraft**  
**STARSHIP 1**  
**WIRING DIAGRAM MANUAL**

**28-21-02**

# Beechcraft STARSHIP 1 WIRING DIAGRAM MANUAL



◆ S161 & S163 ARE 2 POLE SWITCHES, ONLY ONE POLE IS SHOWN

## DISTRIBUTION-AUXILIARY FUEL PUMP & CROSS TRANSFER

**Beechcraft**  
**STARSHIP 1**  
**WIRING DIAGRAM MANUAL**

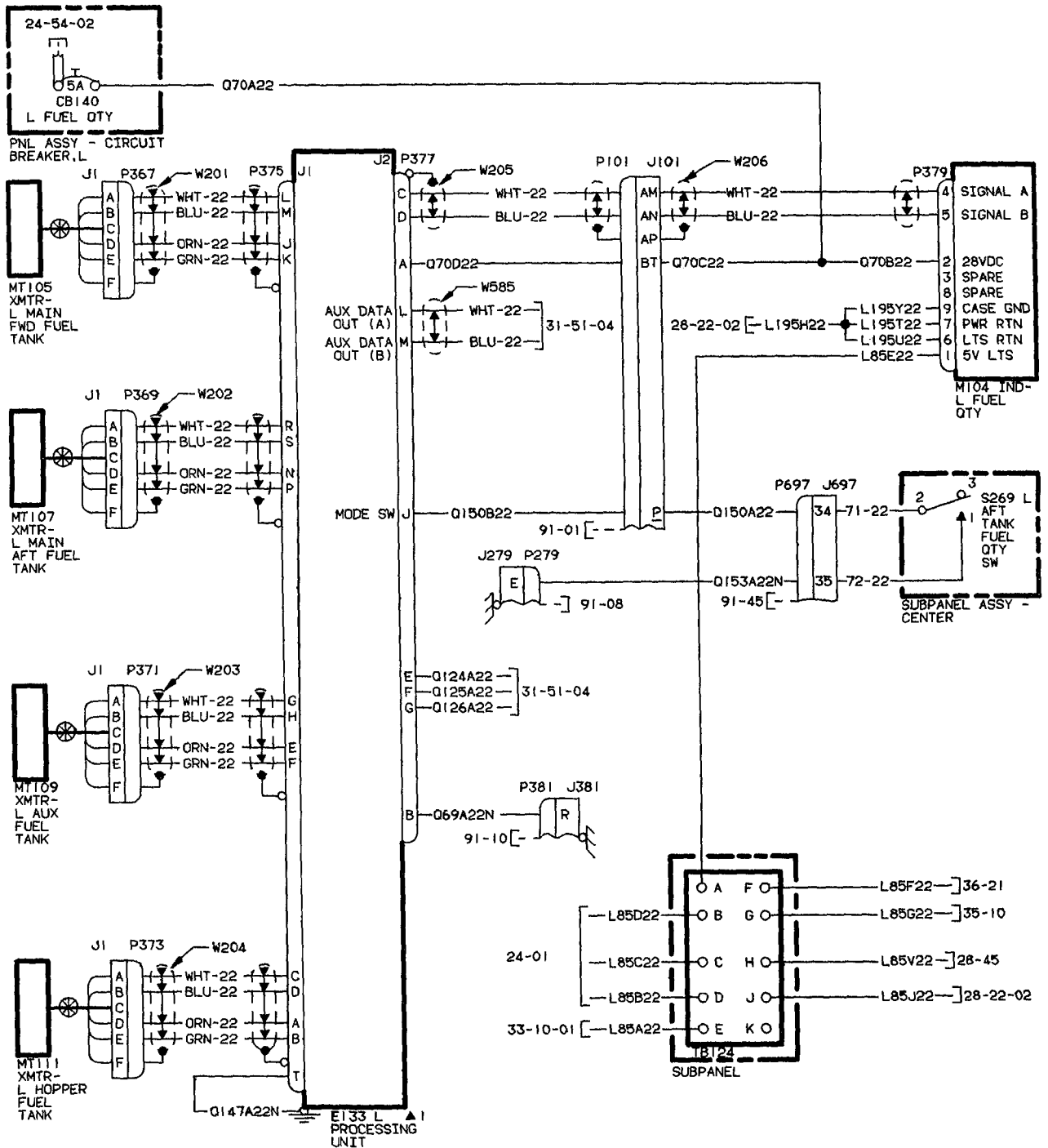
REFERENCE DESIGNATOR	PART NUMBER	DESCRIPTION	USABLE INSTL ON ZONE CODE
28-21-02			
A129CR10	1N4007	DIODE	320
A129CR7	1N4007	DIODE	320
A129CR8	1N4007	DIODE	320
A129CR9	1N4007	DIODE	320
A129J5	451116-162	RCPT-RELAY	320
A129J6	451116-162	RCPT-RELAY	320
A129K5	MS27743-18	RELAY	320
A129K6	MS27743-18	RELAY	320
CB156	131984-5	CB-FUEL TRANSFER	236
CB162	131984-15	CB-RIGHT STANDBY PUMP	236
CB164	131984-15	CB-LEFT STANDBY PUMP	236
CR257	1N4007	DIODE	242
J714	206705-2	RCPT-FUEL CROSSFEED SWITCH	242
P714	206708-1	PLUG-FUEL CROSSFEED SWITCH	242
S161	MS24523-23	SW-L STANDBY FUEL PUMP	242
S162	122-322171-1	SW-FUEL CROSSFEED	242
S163	MS24523-23	SW-R STANDBY FUEL PUMP	242

**EFFECTIVITY CODE**

**Beechcraft**  
**STARSHIP 1**  
**WIRING DIAGRAM MANUAL**

**28-22-01**

# Beechcraft STARSHIP 1 WIRING DIAGRAM MANUAL



DISTRIBUTION-FUEL QUANTITY, LEFT

**Beechcraft**  
**STARSHIP 1**  
**WIRING DIAGRAM MANUAL**

REFERENCE DESIGNATOR	PART NUMBER	DESCRIPTION	USABLE INSTL ON ZONE CODE
28-22-01			
CB140	131984-5	CB-LEFT FUEL QTY	236
E133	122-380059-7	L PROCESSING UNIT (FSU)	551
E133J1	MS3114-14-19P	RCPT	551
E133J2	MS3114-14-19PX	RCPT	551
MT105	122-380060-7	XMTR-LEFT MAIN FWD FUEL TANK	531
MT105J1	MS3114H10-8P	RCPT	531
MT107	122-380060-5	XMTR-LEFT MAIN AFT FUEL TANK	531
MT107J1	MS3114H10-8P	RCPT	531
MT109	122-380060-3	XMTR-LEFT AUXILIARY FUEL TANK	541
MT109J1	MS3114H10-8P	RCPT	541
MT111	122-380060-1	XMTR-LEFT HOPPER FUEL TANK	531
MT111J1	MS3114H10-8P	RCPT	531
M104	122-382009-7	DISPLAY-LEFT FUEL QUANTITY	242
P367	MS3476L10-6S	PLUG-L MAIN FWD TANK XMTR	531
P369	MS3476L10-6S	PLUG-L MAIN FWD TANK XMTR	531
P371	MS3476L10-6S	PLUG-L AUXILIARY TANK XMTR	541
P373	MS3476L10-6S	PLUG-L HOPPER TANK XMTR	531
P375	MS3476L14-19S	PLUG-L PROCESSING UNIT	531
P377	MS3476L14-19SX	PLUG-L PROCESSING UNIT	551
P379	205203-1	PLUG-L FUEL QUANTITY INDICATOR	242
S269	MB2011SW01BK	SW-LEFT AFT TANK FUEL QUANTITY	242
TB124	MRTB20E04	TERMINAL JUNCTION	239
W201	M27500-22TE4T14	CABLE-4 CNDCT	531
W202	M27500-22TE4T14	CABLE-4 CNDCT	531
W203	M27500-22TE4T14	CABLE-4 CNDCT	541
W204	M27500-22TE4T14	CABLE-4 CNDCT	531
W205	M27500-22TE2T14	CABLE-2 CNDCT	551
W206	M27500-22TE2T14	CABLE-2 CNDCT	242
W585	M27500-22TE2T14	CABLE-2 CNDCT	551

**EFFECTIVITY CODE**

**Beechcraft**  
**STARSHIP 1**  
**WIRING DIAGRAM MANUAL**

**28-22-02**





**Beechcraft**  
**STARSHIP 1**  
**WIRING DIAGRAM MANUAL**

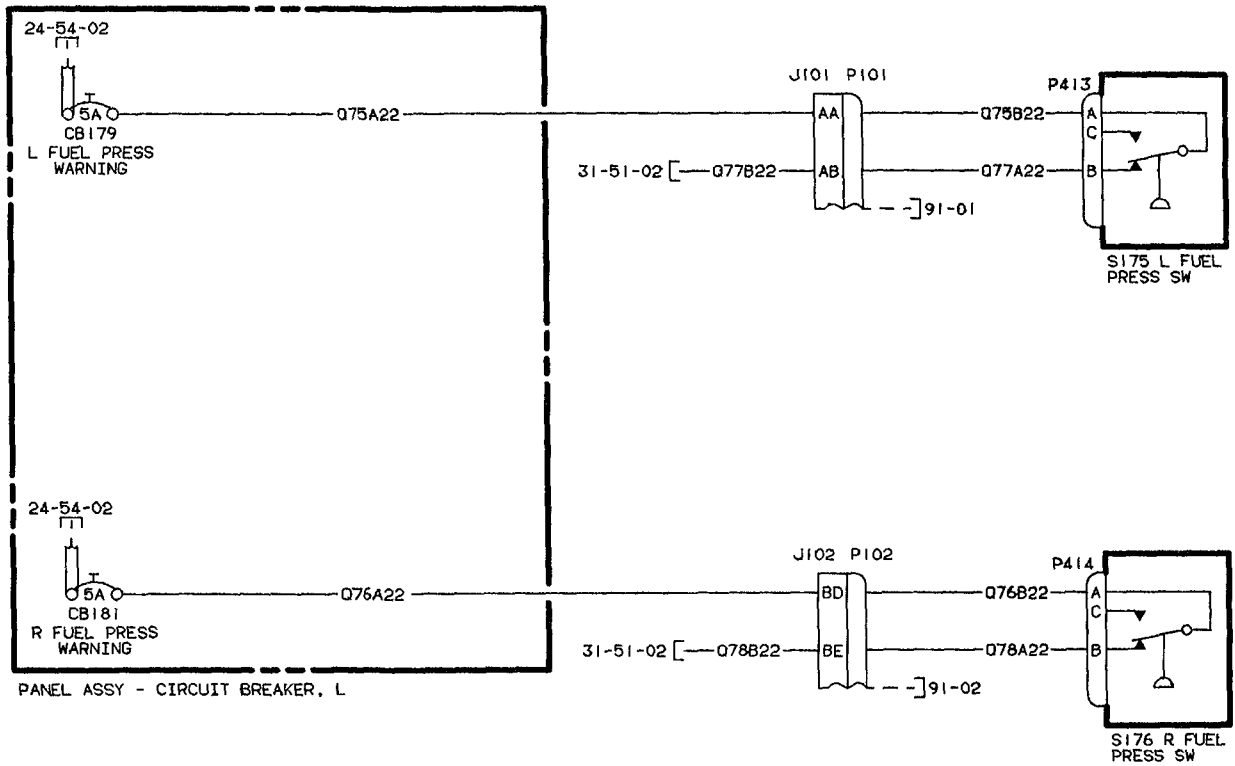
REFERENCE DESIGNATOR	PART NUMBER	DESCRIPTION	USABLE INSTL ON ZONE CODE
28-22-02			
CB150	131984-5	CB-RIGHT FUEL QUANTITY INDICATOR	236
E134	122-380059-7	R PROCESSING UNIT (FSU)	651
E134J1	MS3114-14-19P	RCPT	651
E134J2	MS3114-14-19PX	RCPT	651
MT104	122-380060-5	XMTR-RIGHT MAIN AFT FUEL TANK	631
MT104J1	MS3114H10-8P	RCPT-RIGHT MAIN AFT TANK XMTR	631
MT106	122-380060-3	XMTR-R AUXILIARY FUEL TANK	641
MT106J1	MS3114H10-8P	RCPT-R AUXILIARY TANK XMTR	641
MT108	122-380060-1	XMTR-R HOPPER FUEL TANK	631
MT108J1	MS3114H10-8P	RCPT-R HOPPER TANK XMTR	631
MT110	122-380060-7	XMTR-R MAIN FWD FUEL TANK	631
MT110J1	MS3114H10-8P	RCPT-R MAIN FWD TANK XMTR	631
M105	122-382009-7	DISPLAY-R FUEL QUANTITY	242
P368	MS3476L10-6S	PLUG-R MAIN FWD TANK XMTR	631
P370	MS3476L10-6S	PLUG-R MAIN AFT TANK XMTR	631
P372	MS3476L10-6S	PLUG-R AUXILIARY TANK XMTR	641
P374	MS3476L10-6S	PLUG-R HOPPER TANK XMTR	631
P376	MS3476L14-19S	PLUG-R PROCESSING UNIT	651
P378	MS3476L14-19SX	PLUG-R PROCESSING UNIT	651
P380	205203-1	PLUG-R FUEL QUANTITY INDICATOR	242
S270	MB2011SW01BK	SW-R AFT TANK FUEL QUANTITY	242
TB125	MRTB20E03	TERMINAL JUNCTION	239
TB126	MRTB20E04	TERMINAL JUNCTION	239
W207	M27500-22TE4T14	CABLE-4 CNDCT	631
W208	M27500-22TE4T14	CABLE-4 CNDCT	631
W209	M27500-22TE4T14	CABLE-4 CNDCT	641
W210	M27500-22TE4T14	CABLE-4 CNDCT	631
W211	M27500-22TE2T14	CABLE-2 CNDCT	651
W212	M27500-22TE2T14	CABLE-2 CNDCT	242
W586	M27500-22TE2T14	CABLE-2 CNDCT	651

**EFFECTIVITY CODE**

**Beechcraft**  
**STARSHIP 1**  
**WIRING DIAGRAM MANUAL**

**28-43-00**

# Beechcraft STARSHIP 1 WIRING DIAGRAM MANUAL



INDICATING-FUEL WARNING, LOW PRESSURE

**Beechcraft**  
**STARSHIP 1**  
**WIRING DIAGRAM MANUAL**

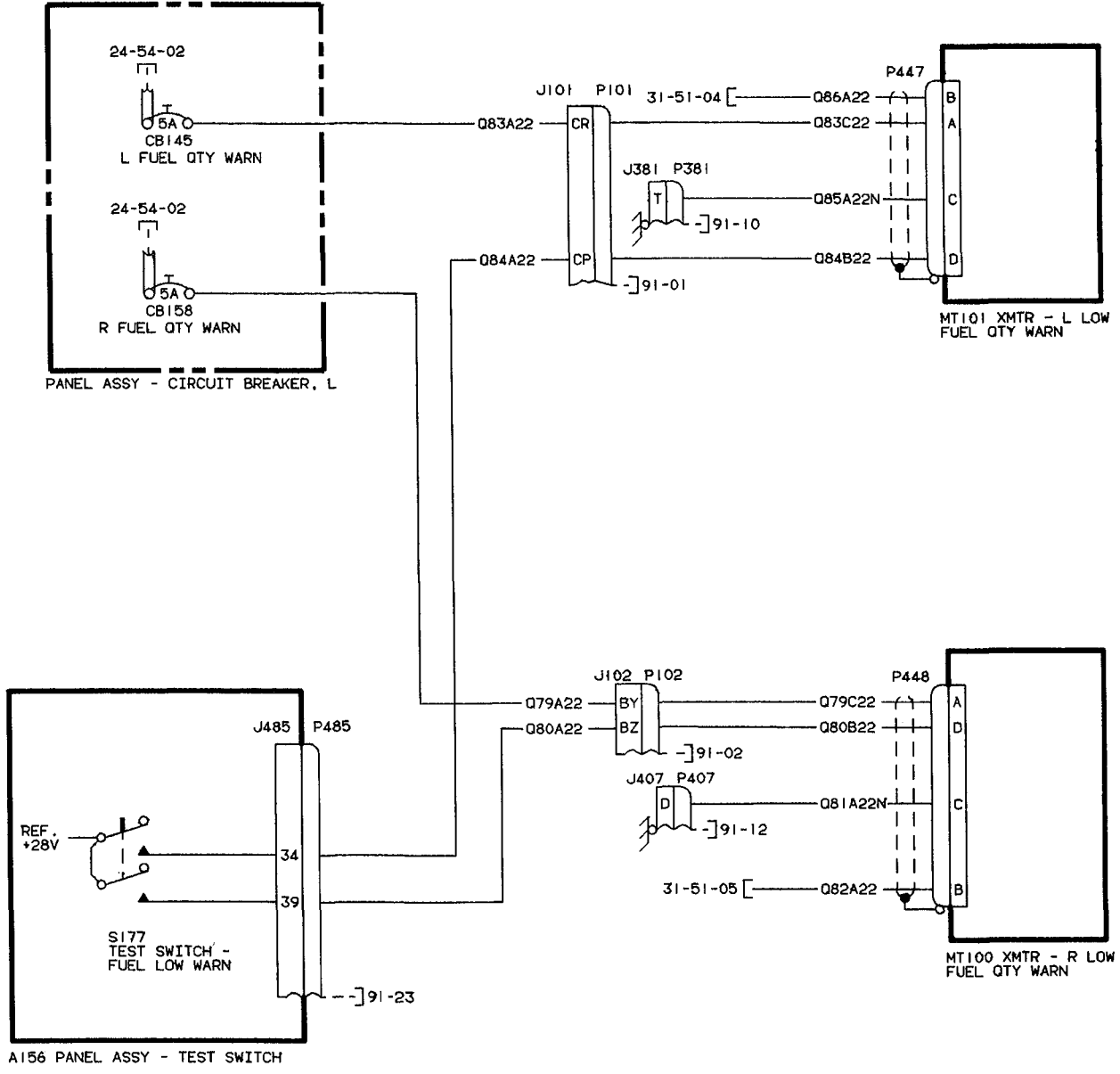
REFERENCE DESIGNATOR	PART NUMBER	DESCRIPTION	USABLE INSTL ON ZONE CODE
28-43-00			
CB179	131984-5	CB-LEFT FUEL PRESSURE WARNING	236
CB181	131984-5	CB-RIGHT FUEL PRESSURE WARNING	236
P413	MS3456L10SL-3S	PLUG-LEFT FUEL PRESSURE SWITCH	561
P414	MS3456L10SL-3S	PLUG-RIGHT FUEL PRESSURE SWITCH	661
S175	100-389018-21	SW-LEFT FUEL PRESSURE	561
S176	100-389018-21	SW-RIGHT FUEL PRESSURE	661

**EFFECTIVITY CODE**

**Beechcraft**  
**STARSHIP 1**  
**WIRING DIAGRAM MANUAL**

**28-44-00**

# Beechcraft STARSHIP 1 WIRING DIAGRAM MANUAL



## INDICATING-LOW FUEL WARNING

**Beechcraft**  
**STARSHIP 1**  
**WIRING DIAGRAM MANUAL**

<b>REFERENCE DESIGNATOR</b>	<b>PART NUMBER</b>	<b>DESCRIPTION</b>	<b>USABLE INSTL ON ZONE CODE</b>
<b>28-44-00</b>			
CB145	131984-5	CB-LEFT FUEL QUANTITY WARNING	236
CB158	131984-5	CB-RIGHT FUEL QUANTITY WARNING	236
MT100	122-389034-3	XMTR-RIGHT LOW FUEL QUANTITY WARNING	631
MT101	122-389034-3	XMTR-LEFT LOW FUEL QUANTITY WARNING	531
P447	MS3116E8-4S	PLUG-LEFT LOW FUEL WARNING	531
P448	MS3116E8-4S	PLUG-RIGHT LOW FUEL WARNING	631
S177	MB2011SW06BK	SW- FUEL QUANTITY WARNING TEST	244

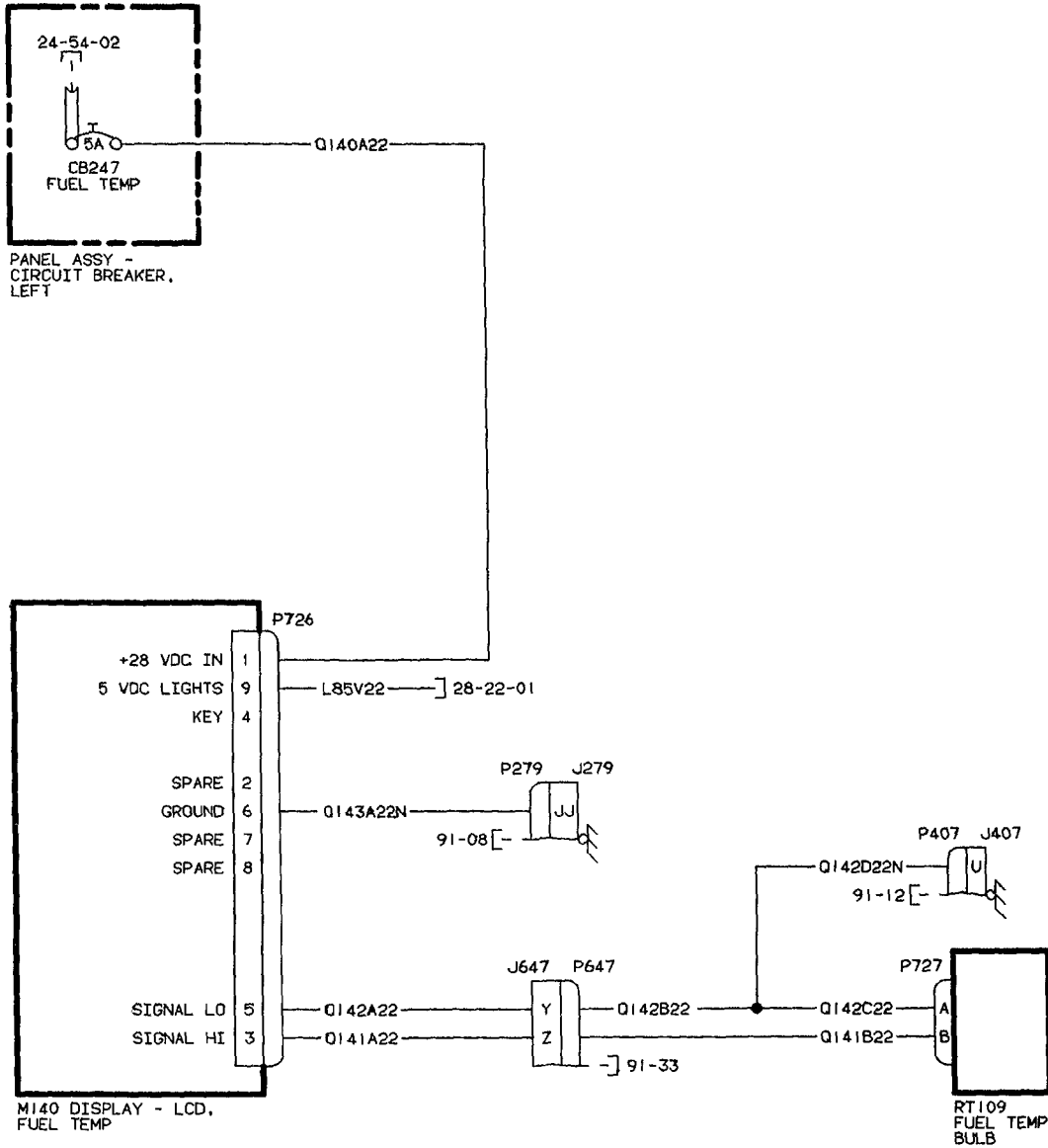
**EFFECTIVITY CODE**



**Beechcraft**  
**STARSHIP 1**  
**WIRING DIAGRAM MANUAL**

**28-45-00**

# Beechcraft STARSHIP 1 WIRING DIAGRAM MANUAL



INDICATING-WARNING, LOW FUEL TEMPERATURE

Beechcraft  
**STARSHIP 1**  
**WIRING DIAGRAM MANUAL**

REFERENCE DESIGNATOR	PART NUMBER	DESCRIPTION	USABLE INSTL ON ZONE CODE
28-45-00			
CB247	131984-5	CB-FUEL TEMP	236
M140	122-382100-7	DISPLAY-LCD FUEL TEMP	242
P726	205203-1	PLUG	242
P727	MS3456L12S-3S	PLUG	527
RT109	MS28034-1	BULB-FUEL TEMP	527

**EFFECTIVITY CODE**

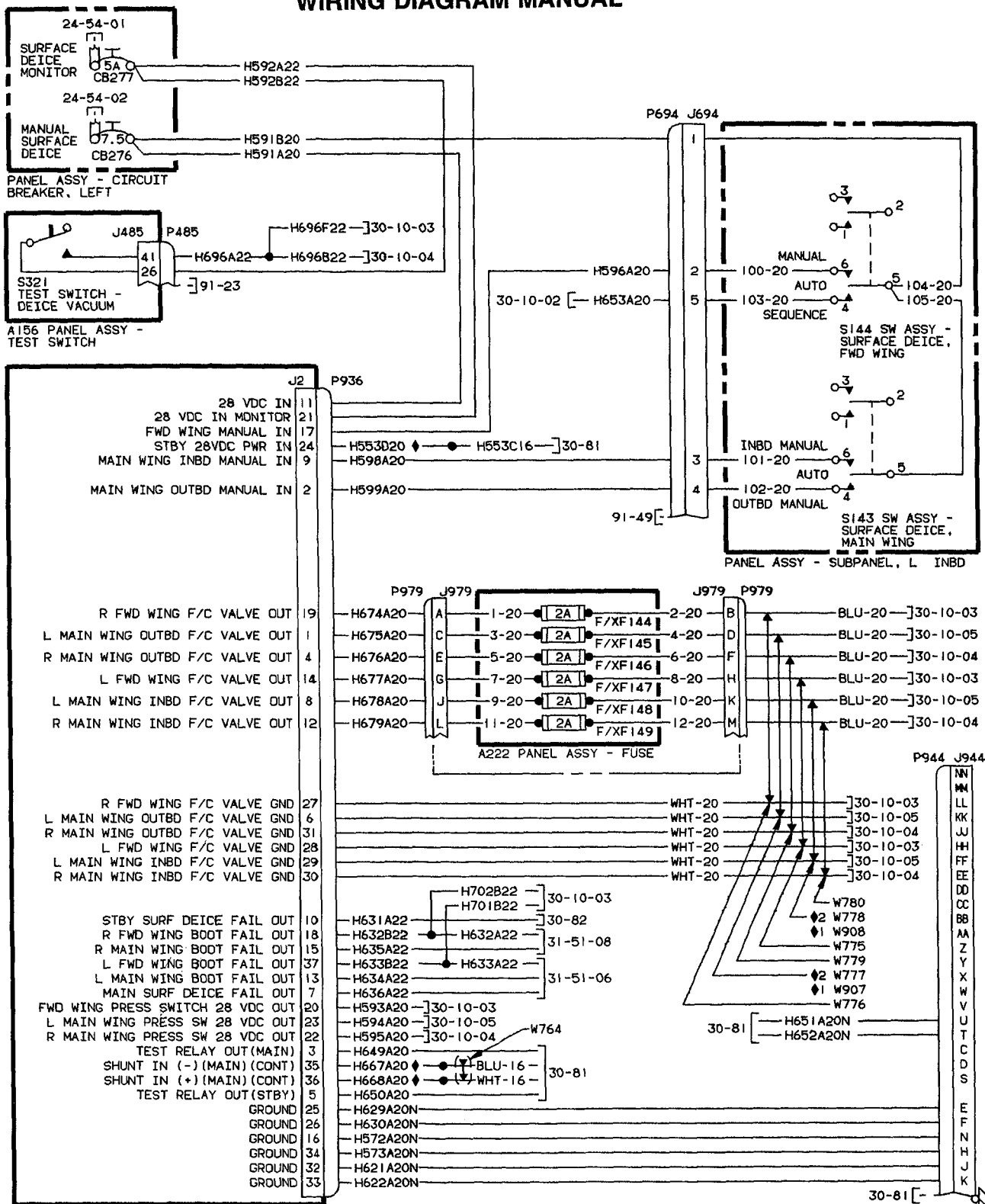
**Beechcraft**  
**STARSHIP 1**  
**WIRING DIAGRAM MANUAL**  
*LIST OF PAGES & TABLE OF CONTENTS*  
*for*  
**CHAPTER 30 - ICE AND RAIN PROTECTION**

<b>SYS/SUB-SYS/ CHAP SECTION</b>	<b>PAGE NO.</b>	<b>EFFECTIVE DATE</b>	<b>TABLE OF CONTENTS</b>
<b>30-10-01</b>	Page 1	02/25/94	ICE & RAIN PROTECTION-AIRFOIL DEICE
	Page 2	02/25/94	
	Page 3	02/25/94	
<b>30-10-02</b>	Page 1	02/25/94	ICE & RAIN PROTECTION-AIRFOIL DEICE
	Page 2	02/25/94	
	Page 3	02/25/94	
<b>30-10-03</b>	Page 1	02/25/94	ICE & RAIN PROTECTION-AIRFOIL DEICE
	Page 2	02/25/94	
	Page 3	02/25/94	
<b>30-10-04</b>	Page 1	02/25/94	ICE & RAIN PROTECTION-AIRFOIL DEICE
	Page 2	02/25/94	
	Page 3	02/25/94	
<b>30-10-05</b>	Page 1	02/25/94	ICE & RAIN PROTECTION-AIRFOIL DEICE
	Page 2	02/25/94	
	Page 3	02/25/94	
<b>30-21-01</b>	Page 1	02/25/94	AIR INTAKE-ENGINE ANTI-ICE, LEFT
	Page 2	02/25/94	
	Page 3	02/25/94	
<b>30-21-02</b>	Page 1	02/25/94	AIR INTAKE-ENGINE ANTI-ICE, RIGHT
	Page 2	02/25/94	
	Page 3	02/25/94	
<b>30-31-00</b>	Page 1	02/25/94	PITOT AND STATIC-PITOT ANTI-ICE
	Page 2	02/25/94	
	Page 3	02/25/94	
<b>30-41-00</b>	Page 1	02/25/94	PILOT/COPILOT WINDSHIELD WIPER
	Page 2	02/25/94	
	Page 3	02/25/94	
<b>30-42-00</b>	Page 1	02/25/94	PILOTS WINDSHIELD-ANTI-ICE
	Page 2	02/25/94	
	Page 3	02/25/94	
<b>30-43-00</b>	Page 1	02/25/94	COPILOTS WINDSHIELD-ANTI-ICE
	Page 2	02/25/94	
	Page 3	02/25/94	
<b>30-81-00</b>	Page 1	02/25/94	ICE & RAIN PROTECTION-ICE DETECTION
	Page 2	02/25/94	
	Page 3	02/25/94	
<b>30-82-00</b>	Page 1	02/25/94	ICE & RAIN PROTECTION-ICE DETECTION, GROUND (OPTIONAL)
	Page 2	02/25/94	
	Page 3	02/25/94	

**Beechcraft**  
**STARSHIP 1**  
**WIRING DIAGRAM MANUAL**

**30-10-01**

# Beechcraft STARSHIP 1 WIRING DIAGRAM MANUAL



A215 ▲1  
PCB ASSY -  
SURFACE DEICE, MANUAL

◆2 ON AIRCRAFT NC-21 & AFT

◆1 ON AIRCRAFT NC-4 THRU NC-20

◆ WIRE TO BE LESS THAN 3 INCHES IN LENGTH.

## ICE & RAIN PROTECTION-AIRFOIL DEICE

**Beechcraft**  
**STARSHIP 1**  
**WIRING DIAGRAM MANUAL**

REFERENCE DESIGNATOR	PART NUMBER	DESCRIPTION	USABLE	
			INSTL	ON ZONE CODE
<b>30-10-01</b>				
A215	122-364208-1	PCB ASSY-MANUAL SURFACE DEICE		211
A215J2	DCM37PD	RCPT-SURFACE DEICE PCB		211
A222	122-364203-23	PANEL ASSY-FUSE		211
CB276	131984-7	CB-MANUAL SURFACE DEICE		236
CB277	131984-5	CB-SURFACE DEICE MONITOR		236
F144	GMW2A	FUSE		211
F145	GMW2A	FUSE		211
F146	GMW2A	FUSE		211
F147	GMW2A	FUSE		211
F148	GMW2A	FUSE		211
F149	GMW2A	FUSE		211
J944	204814-1	RCPT-SURFACE DEICE GROUND BLOCK		211
J979	MS3471L14-12P	RCPT		211
P936	130106CSM-37S	PLUG		211
P944	200838-3	PLUG-SURFACE DEICE GROUND BLOCK		211
P979	MS3476L14-12S	PLUG-FUSE PANEL		211
S143	MS24523-27	SWITCH ASSY-SURFACE DEICE		233
S144	MS24523-27	SW ASSY-SURFACE DEICE		233
S321	MB2011SW06BK	SW-DEICE VACUUM TEST		244
W764	M27500-16TG2T14	CABLE-2 CNDCT		210
W775	M27500-20TE2U15	CABLE-2 CNDCT		210
W776	M27500-20TE2U15	CABLE-2 CNDCT		210
W777	M27500-20TE2U15	CABLE-2 CNDCT		211
W778	M27500-20TE2U15	CABLE-2 CNDCT		211
W779	M27500-20TE2U15	CABLE-2 CNDCT		211
W780	M27500-20TE2U15	CABLE-2 CNDCT		211
XF144	HWA-AF	FUSEHOLDER		211
XF145	HWA-AF	FUSEHOLDER		211
XF146	HWA-AF	FUSEHOLDER		211
XF147	HWA-AF	FUSEHOLDER		211
XF148	HWA-AF	FUSEHOLDER		211
XF149	HWA-AF	FUSEHOLDER		211

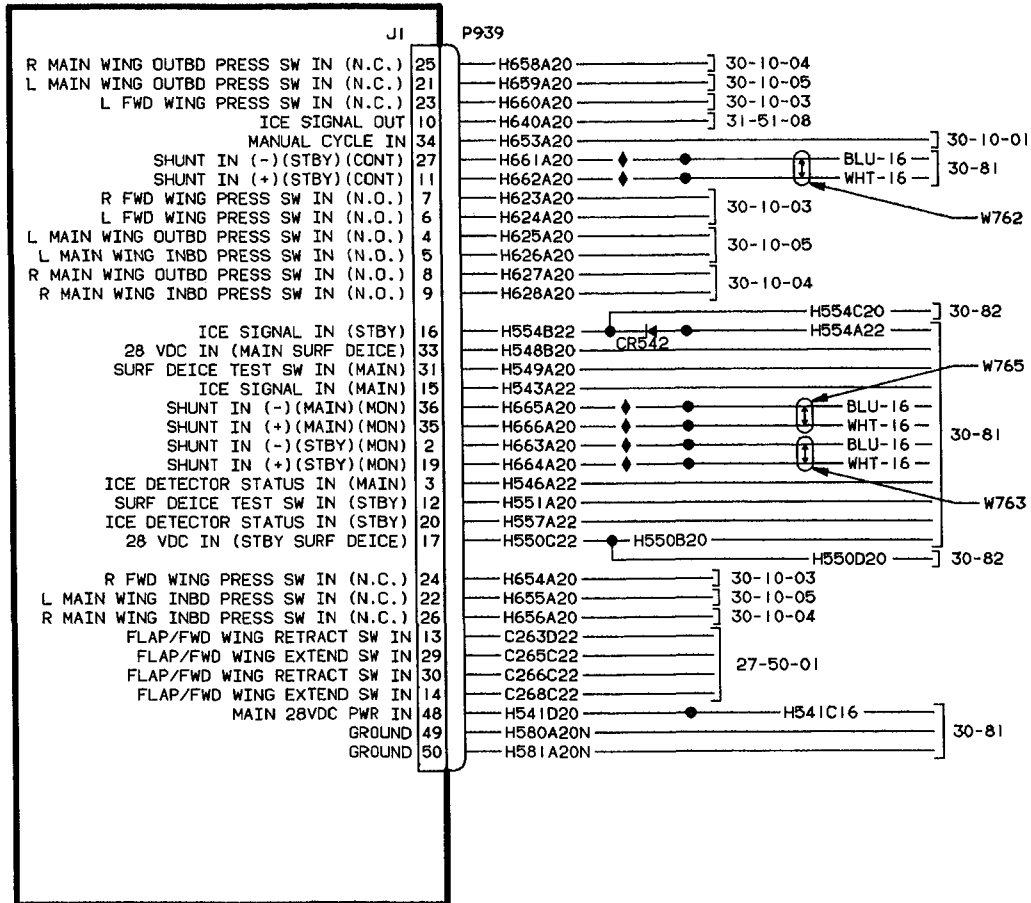
**EFFECTIVITY CODE**

**Beechcraft**  
**STARSHIP 1**  
**WIRING DIAGRAM MANUAL**

**30-10-02**



# Beechcraft STARSHIP 1 WIRING DIAGRAM MANUAL



A215 PCB ASSY - SURFACE DEICE, MANUAL ▲ I

◆ WIRE TO BE LESS THAN 3 INCHES IN LENGTH

## ICE & RAIN PROTECTION-AIRFOIL DEICE

**Beechcraft**  
**STARSHIP 1**  
**WIRING DIAGRAM MANUAL**

REFERENCE DESIGNATOR	PART NUMBER	DESCRIPTION	USABLE	
			INSTL	ON ZONE CODE
<b>30-10-02</b>				
A215	122-364208-1	PCB ASSY-MANUAL SURFACE DEICE	211	
A215J1	DDM50PD	RCPT-SURFACE DEICE PCB	211	
CR542	1N4007	DIODE	211	1
P939	130106DSM-50S	PLUG	211	
W762	M27500-16TG2T14	CABLE-2 CNDCT	210	
W763	M27500-16TG2T14	CABLE-2 CNDCT	210	
W765	M27500-16TG2T14	CABLE-2 CNDCT	210	

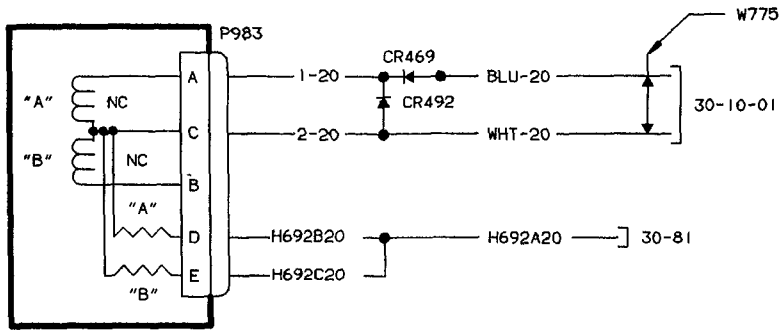
**EFFECTIVITY CODE**

1. NC-10, NC-44 & AFTER

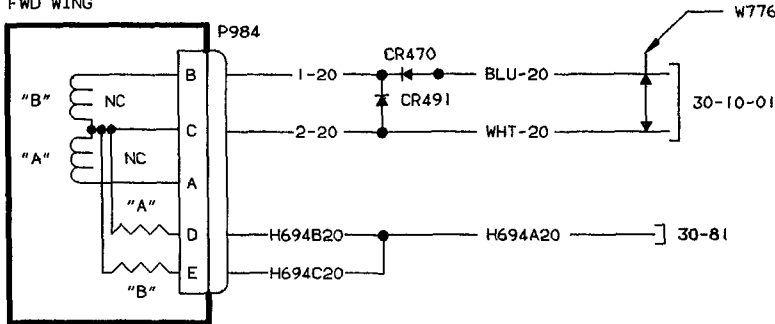
**Beechcraft**  
**STARSHIP 1**  
**WIRING DIAGRAM MANUAL**

**30-10-03**

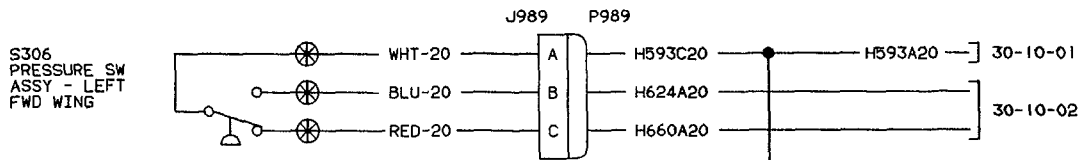
# Beechcraft STARSHIP 1 WIRING DIAGRAM MANUAL



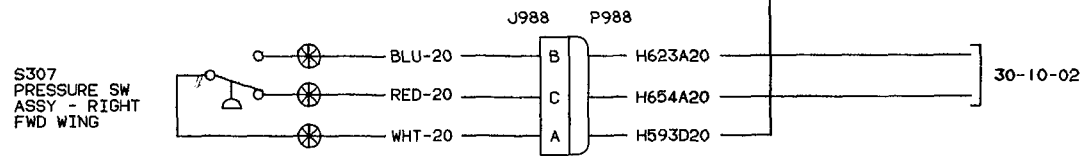
E235  
VALVE ASSY -  
F/C, LEFT  
FWD WING



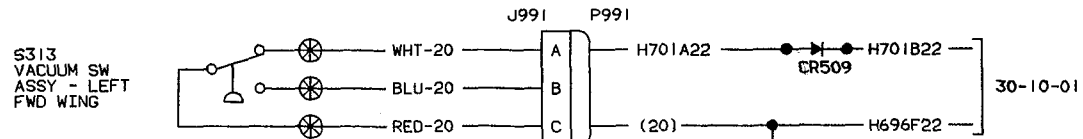
E236  
VALVE ASSY -  
F/C, RIGHT  
FWD WING



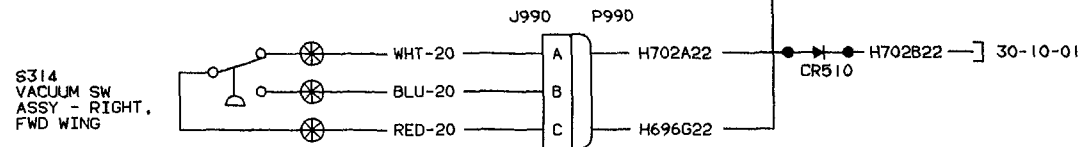
S306  
PRESSURE SW  
ASSY - LEFT  
FWD WING



S307  
PRESSURE SW  
ASSY - RIGHT  
FWD WING



S313  
VACUUM SW  
ASSY - LEFT  
FWD WING



S314  
VACUUM SW  
ASSY - RIGHT  
FWD WING

## ICE & RAIN PROTECTION-AIRFOIL DEICE

**Beechcraft**  
**STARSHIP 1**  
**WIRING DIAGRAM MANUAL**

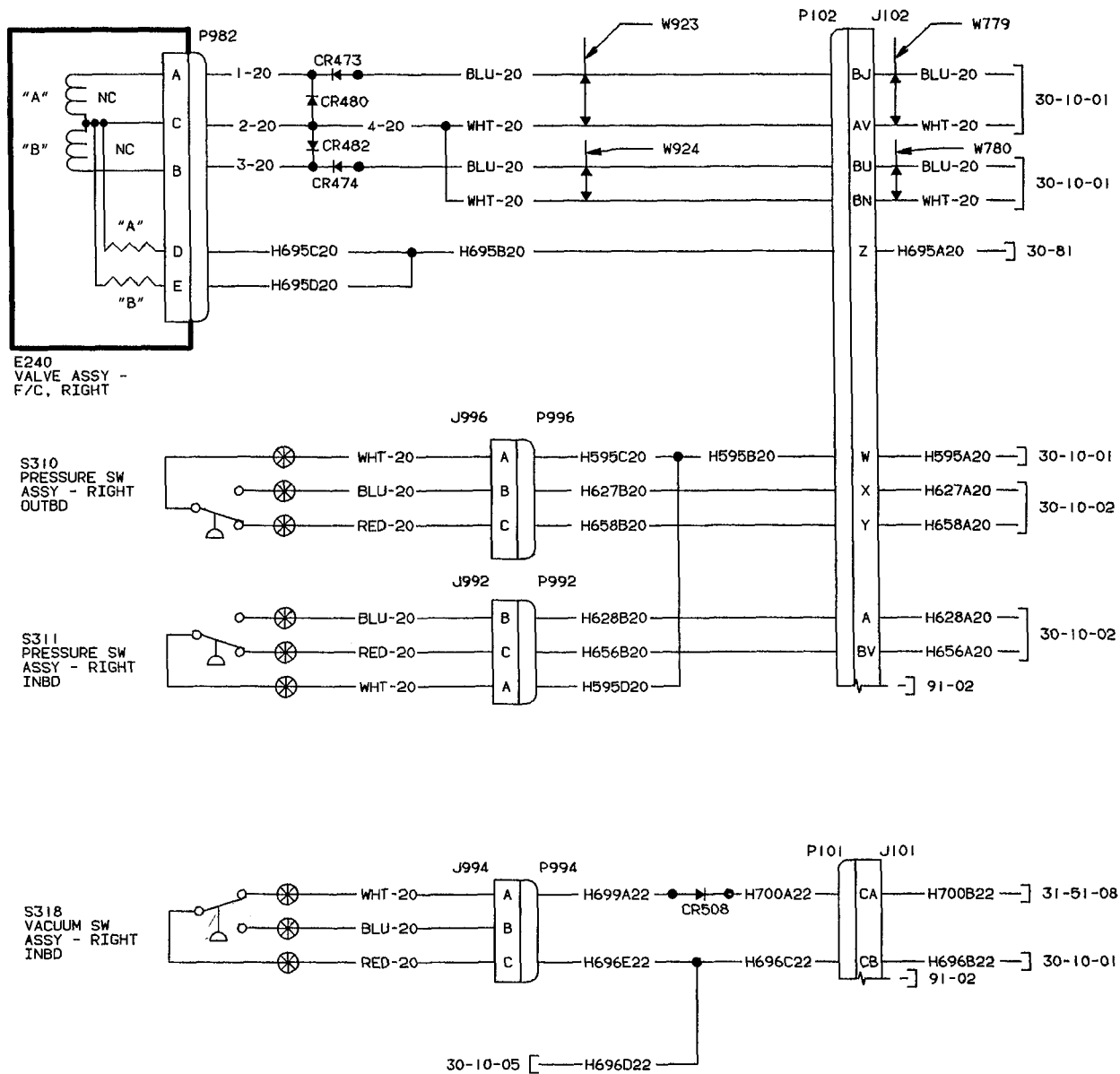
REFERENCE DESIGNATOR	PART NUMBER	DESCRIPTION	USABLE INSTL ON ZONE CODE
<b>30-10-03</b>			
CR469	MR510	DIODE	132
CR470	MR510	DIODE	132
CR491	MR510	DIODE	132
CR492	MR510	DIODE	132
CR509	1N4007	DIODE	214
CR510	1N4007	DIODE	214
E235	122-970105-1	VALVE ASSY-LEFT FLOW CONTROL	212
E236	122-970105-1	VALVE ASSY-RIGHT FLOW CONTROL	212
J988	MS3471L8-33P	RCPT	214
J989	MS3471L8-33P	RCPT	214
J990	MS3471L12-3P	RCPT	214
J991	MS3471L12-3P	RCPT	214
P983	MS3476L14-5S	PLUG	214
P984	MS3476L14-5S	PLUG	214
P988	MS3476L8-33S	PLUG	214
P989	MS3476L8-33S	PLUG	214
P990	MS3476L12-3S	PLUG	214
P991	MS3476L12-3S	PLUG	214
S306	122-970108-1	PRESSURE SW ASSY-L FWD WING	212
S307	122-970108-1	PRESSURE SW ASSY-R FWD WING	212
S313	122-970107-1	SW ASSY,VACUUM-L FWD WING	212
S314	122-970107-1	SW ASSY,VACUUM-R FWD WING	212

**EFFECTIVITY CODE**

**Beechcraft**  
**STARSHIP 1**  
**WIRING DIAGRAM MANUAL**

**30-10-04**

# Beechcraft STARSHIP 1 WIRING DIAGRAM MANUAL



## ICE & RAIN PROTECTION-AIRFOIL DEICE

**Beechcraft**  
**STARSHIP 1**  
**WIRING DIAGRAM MANUAL**

REFERENCE DESIGNATOR	PART NUMBER	DESCRIPTION	USABLE	
			INSTL ZONE	ON CODE
30-10-04				
CR473	MR510	DIODE		162
CR474	MR510	DIODE		162
CR480	MR510	DIODE		162
CR482	MR510	DIODE		162
CR508	1N4007	DIODE		162
E240	122-970105-1	VALVE ASSY-RIGHT MAIN FLOW CONTROL		162
J992	MS3471L8-33P	RCPT		162
J994	MS3471L12-3P	RCPT		162
J996	MS3471L8-33P	RCPT		162
P982	MS3476L14-5S	PLUG		162
P992	MS3476L8-33S	PLUG		162
P994	MS3476L12-3S	PLUG		162
P996	MS3476L8-33S	PLUG		162
S310	122-970108-1	PRESSURE SW ASSY-R OUTBOARD WING		162
S311	122-970108-1	PRESSURE SW ASSY-R INBOARD WING		162
S318	122-970107-1	SW ASSY,VACUUM-R INBOARD WING		162
W923	M27500-20TE2U15	CABLE-2 CNDCT		172
W924	M27500-20TE2U15	CABLE-2 CNDCT		172

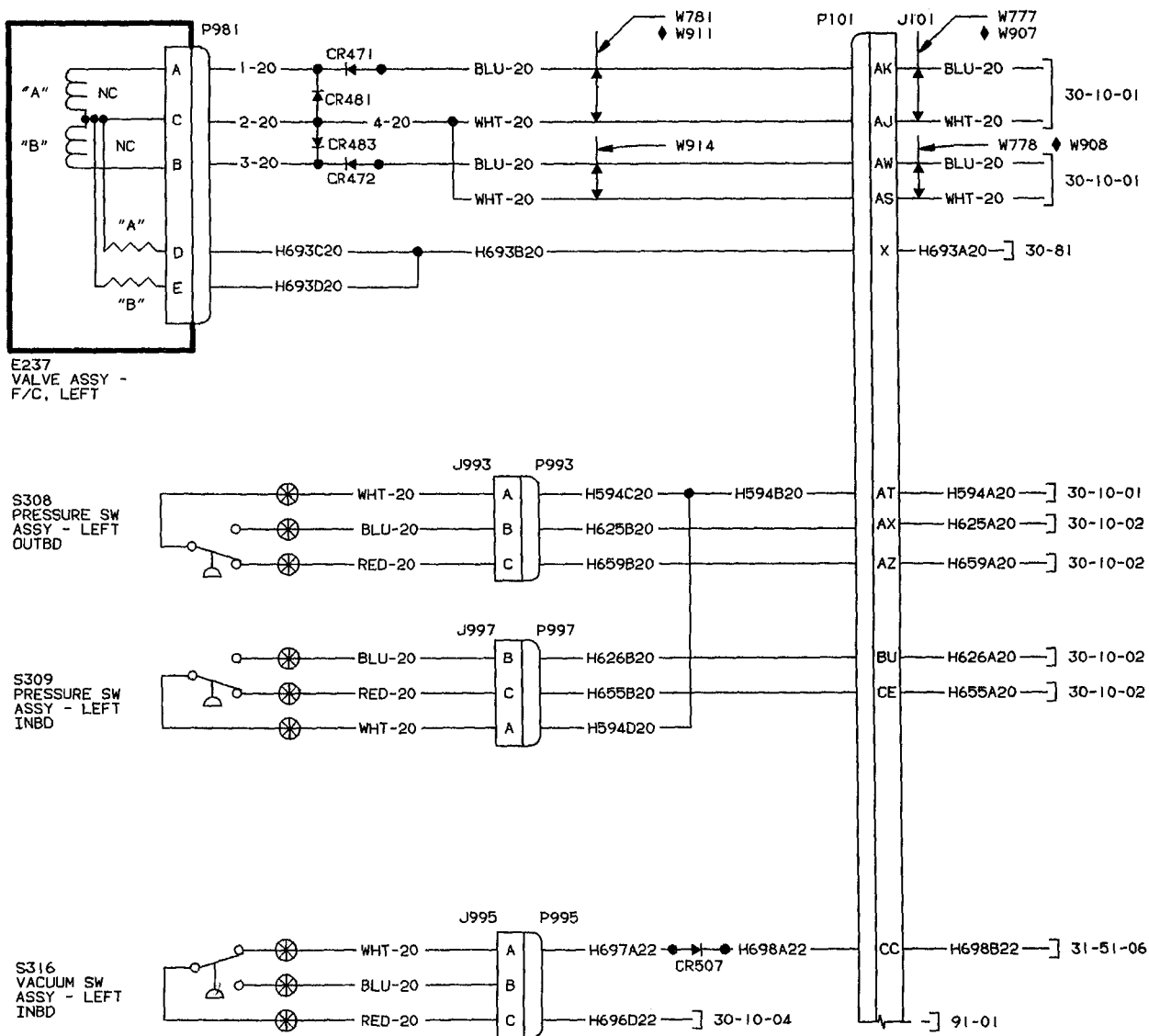
**EFFECTIVITY CODE**



**Beechcraft**  
**STARSHIP 1**  
**WIRING DIAGRAM MANUAL**

**30-10-05**

# Beechcraft STARSHIP 1 WIRING DIAGRAM MANUAL



◆ NC-4 THRU NC-20 ONLY

## ICE & RAIN PROTECTION-AIRFOIL DEICE

**Beechcraft**  
**STARSHIP 1**  
**WIRING DIAGRAM MANUAL**

REFERENCE DESIGNATOR	PART NUMBER	DESCRIPTION	USABLE	
			INSTL ZONE	ON CODE
30-10-05				
CR471	MR510	DIODE	161	
CR472	MR510	DIODE	161	
CR481	MR510	DIODE	161	
CR483	MR510	DIODE	161	
CR507	1N4007	DIODE	161	
E237	122-970105-1	VALVE ASSY-LEFT MAIN FLOW CONTROL	161	
J993	MS3471L8-33P	RCPT	161	
J995	MS3471L12-3P	RCPT	161	
J997	MS3471L8-33P	RCPT	161	
P981	MS3476L14-5S	PLUG	161	
P993	MS3476L8-33S	PLUG	161	
P995	MS3476L12-3S	PLUG	161	
P997	MS3476L8-33S	PLUG	161	
S308	122-970108-1	PRESSURE SW ASSY-L OUTBOARD WING	161	
S309	122-970108-1	PRESSURE SW ASSY-L INBOARD WING	161	
S316	122-970107-1	SW ASSY,VACUUM-L INBOARD WING	161	
W781	M27500-20TE2U15	CABLE-2 CNDCT	172	1
W914	M27500-20TE2U15	CABLE-2 CNDCT	172	

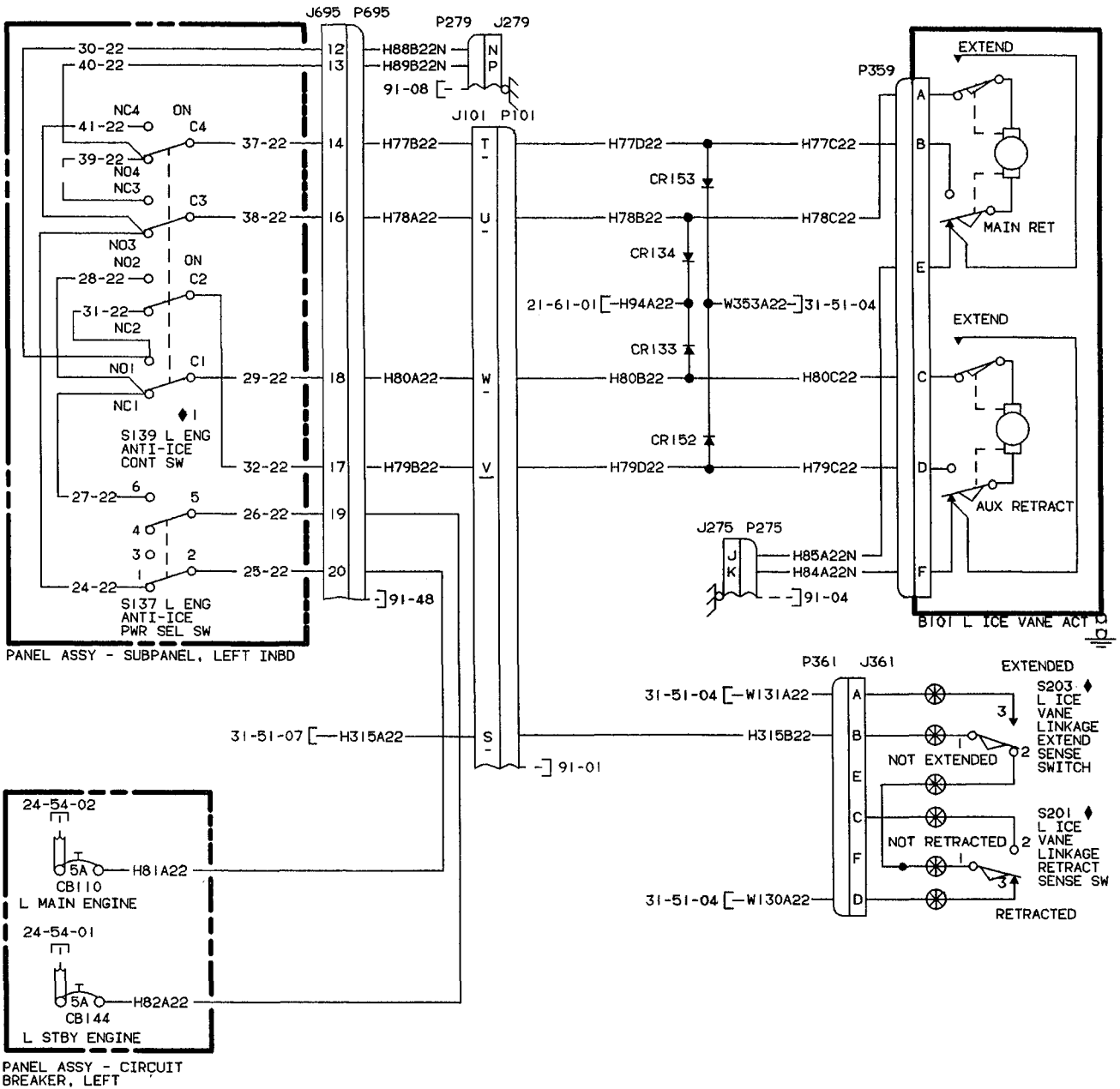
**EFFECTIVITY CODE**

1. NC-20 & AFTER

**Beechcraft**  
**STARSHIP 1**  
**WIRING DIAGRAM MANUAL**

**30-21-01**

# Beechcraft STARSHIP 1 WIRING DIAGRAM MANUAL



- ◆ S139 CONSISTS OF 4 SPDT SWITCHES CONTROLLED BY A COMMON ACTUATOR. THE NUMBER AFTER TERMINAL IDENTIFIERS INDICATES SWITCH NUMBER.
- ◆ SWITCHES ARE SHOWN IN THE RETRACT (NON-ICING) POSITION.

## AIR INTAKE-ENGINE ANTI-ICE, LEFT

**Beechcraft**  
**STARSHIP 1**  
**WIRING DIAGRAM MANUAL**

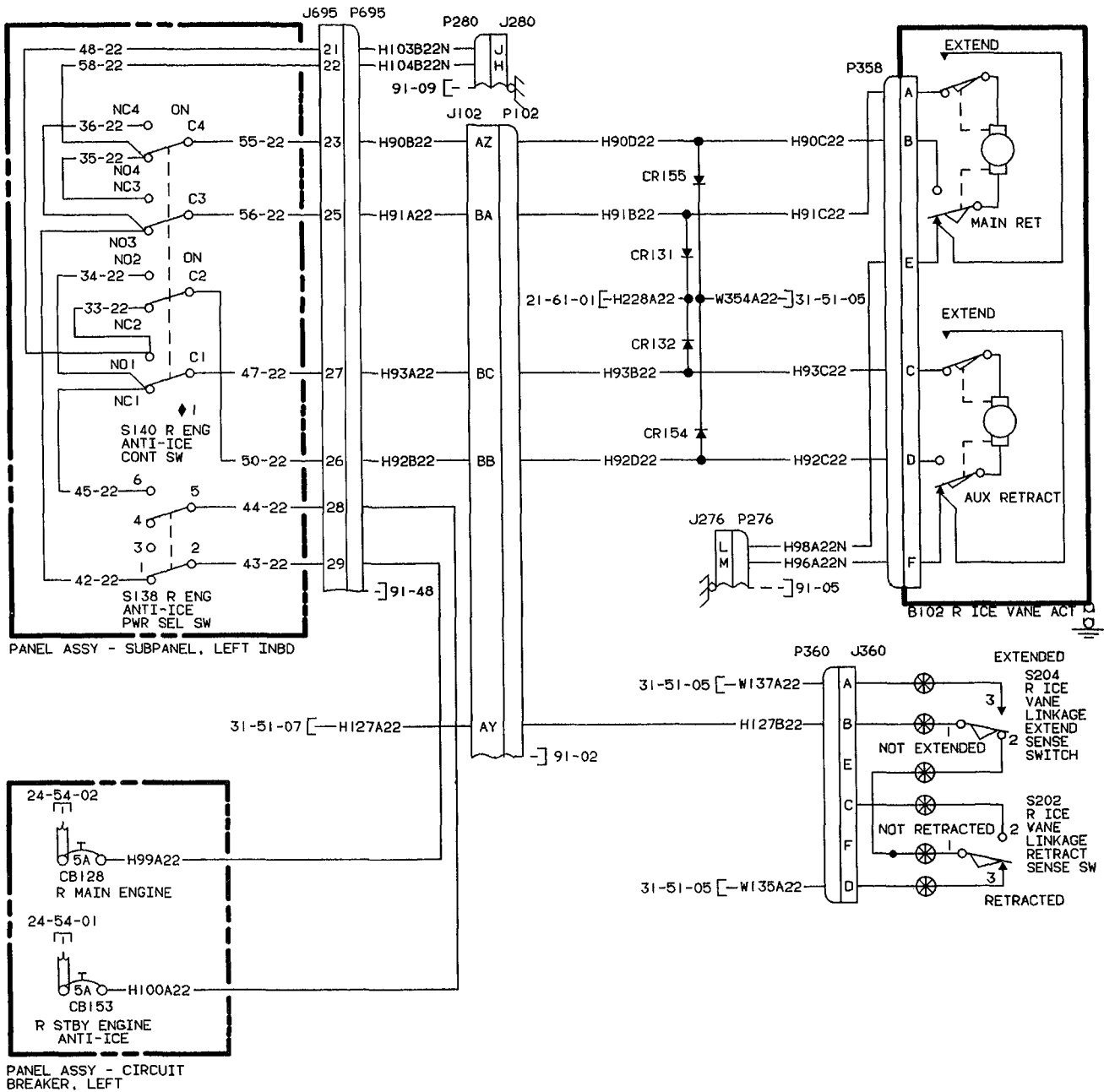
REFERENCE DESIGNATOR	PART NUMBER	DESCRIPTION	USABLE INSTL ON ZONE CODE
30-21-01			
B101	114-389039-23	ACTUATOR-L ICE VANE	581
CB110	131984-5	CB-LEFT ENGINE MAIN ANTI-ICE	236
CB144	131984-5	CB-LEFT ENGINE STANDBY ANTI-ICE	236
CR133	1N4007	DIODE	581
CR134	1N4007	DIODE	581
CR152	1N4007	DIODE	581
CR153	1N4007	DIODE	581
J361	MS3471L10-10P	RCPT	581
P359	MS3476L10-6S	PLUG	581
P361	MS3476L10-6S	PLUG	581
S137	112TW59-3D	SW-L ENGINE ANTI-ICE POWER SELECT	233
S139	64AT46-3	SW-L ENGINE ANTI-ICE CONTROL	233
S139	21649-TI-0109	ALTN FOR 64AT46-3	233
S201	1SE1	SW-L ICE VANE LEAKAGE EXTEND SENSE	581
S203	1SE1	SW-L ICE VANE LEAKAGE RETRACT SENSE	581

**EFFECTIVITY CODE**

**Beechcraft**  
**STARSHIP 1**  
**WIRING DIAGRAM MANUAL**

**30-21-02**

# Beechcraft STARSHIP 1 WIRING DIAGRAM MANUAL



◆ S140 CONSISTS OF 4 SPDT SWITCHES CONTROLLED BY A COMMON ACTUATOR. THE NUMBER AFTER TERMINAL IDENTIFERS INDICATES SWITCH NUMBER.

## AIR INTAKE-ENGINE ANTI-ICE, RIGHT



**Beechcraft**  
**STARSHIP 1**  
**WIRING DIAGRAM MANUAL**

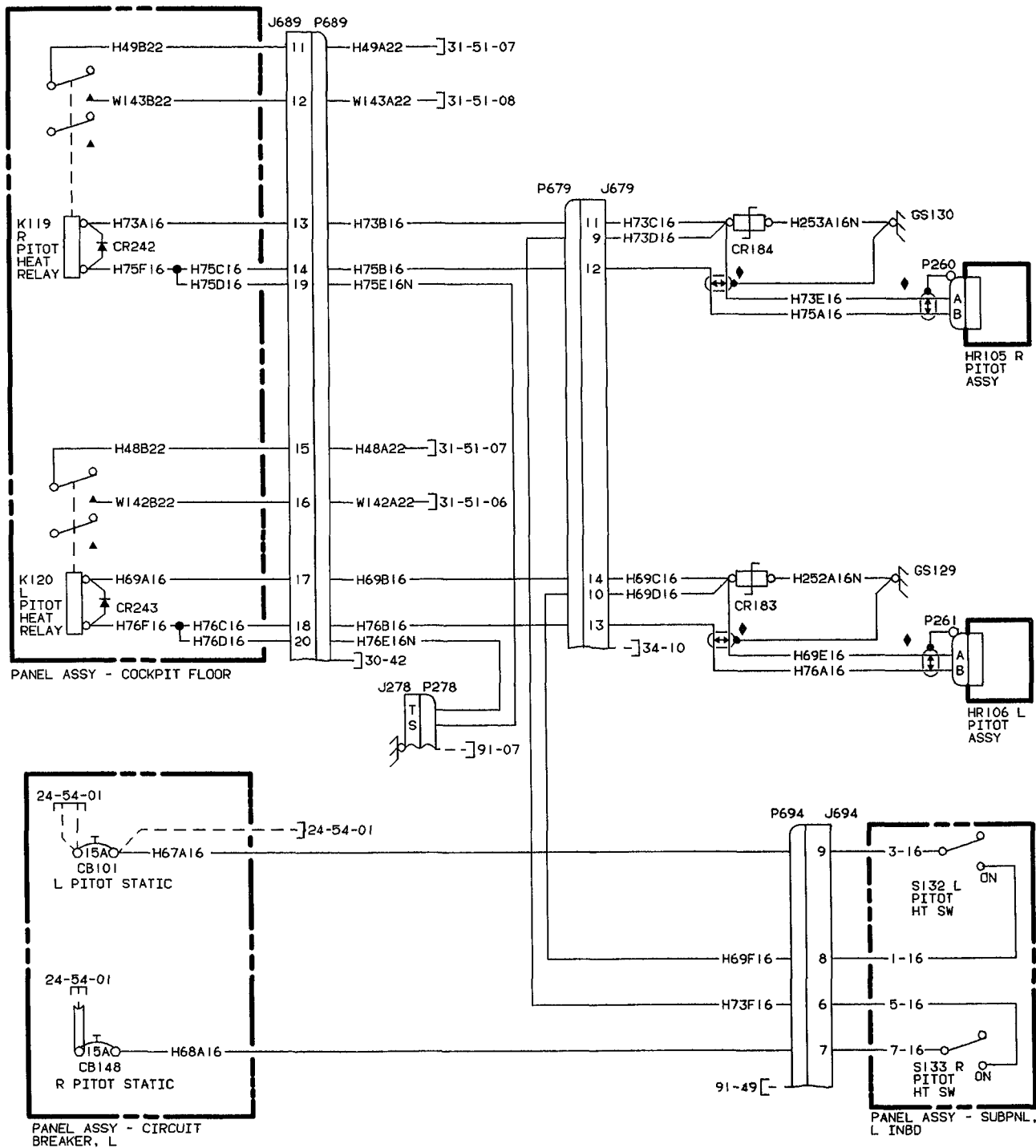
REFERENCE DESIGNATOR	PART NUMBER	DESCRIPTION	USABLE INSTL ON ZONE CODE
30-21-02			
B102	114-389039-23	ACTUATOR-R ICE VANE	681
CB128	131984-5	CB-RIGHT ENGINE MAIN ANTI-ICE	236
CB153	131984-5	CB-RIGHT ENGINE STANDBY ANTI-ICE	236
CR131	1N4007	DIODE	681
CR132	1N4007	DIODE	681
CR154	1N4007	DIODE	681
CR155	1N4007	DIODE	681
J360	MS3471L10-6P	RCPT	681
P358	MS3476L10-6S	PLUG	681
P360	MS3476L10-6S	PLUG	681
S138	112TW59-3D	SW-R ENGINE ANTI-ICE POWER SELECT	233
S140	64AT46-3	SW-R ENGINE ANTI-ICE CONTROL	233
S140	21649-TI-0109	ALTN FOR 64AT46-3	233
S202	1SE1	SW-R ICE VANE LEAKAGE EXTEND SENSE	681
S204	1SE1	SW-R ICE VANE LEAKAGE RETURN SENSE	681

**EFFECTIVITY CODE**

**Beechcraft**  
**STARSHIP 1**  
**WIRING DIAGRAM MANUAL**

**30-31-00**

# Beechcraft STARSHIP 1 WIRING DIAGRAM MANUAL



◆ TWIST WIRES 6 TURNS PER FOOT.

## PITOT AND STATIC-PITOT ANTI-ICE

**Beechcraft**  
**STARSHIP 1**  
**WIRING DIAGRAM MANUAL**

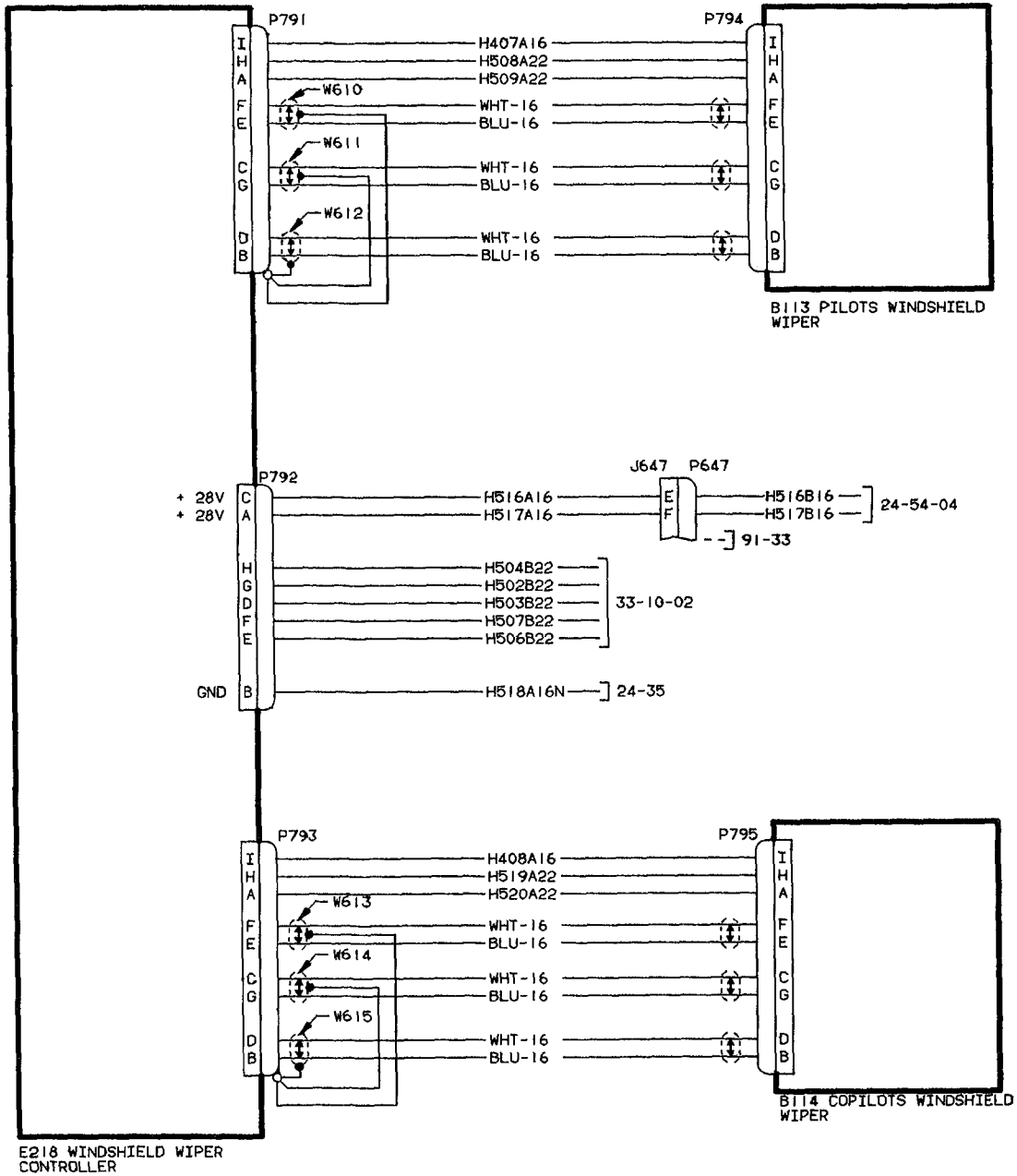
REFERENCE DESIGNATOR	PART NUMBER	DESCRIPTION	USABLE INSTL ON ZONE CODE
<b>30-31-00</b>			
CB101	131984-15	CB-LEFT PITOT STATIC HEAT	236
CB148	131984-15	CB-RIGHT PITOT STATIC HEAT	236
CR183	122-380062-5	VARISTOR-TRANSIENT VOLTAGE PROTECTION	121
CR184	122-380062-5	VARISTOR-TRANSIENT VOLTAGE PROTECTION	122
CR242	1N4007	DIODE	143
CR243	1N4007	DIODE	143
GS129	131270-3	GROUND STUD	121
GS130	131270-3	GROUND STUD	122
HR105	122-384001-3	PITOT ASSY-RIGHT	121
HR106	122-384001-3	PITOT ASSY-LEFT	121
J679	206151-2	RCPT-FORWARD HORN BREAK	142
J689	206151-2	RCPT	143
K119	50-380048-1	RELAY-PITOT HEAT,RIGHT	143
K120	50-380048-1	RELAY-LEFT PITOT HEAT	143
P260	00855-0001	PLUG-RIGHT PITOT HEAT	122
P261	00855-0001	PLUG-LEFT PITOT HEAT	121
P679	206150-1	PLUG-FWD HORN BREAK	142
P689	206150-1	PLUG	143
S132	MS24523-23	SW-LEFT PITOT HEAT	233
S133	MS24523-23	SW-RIGHT PITOT HEAT	233

**EFFECTIVITY CODE**

**Beechcraft**  
**STARSHIP 1**  
**WIRING DIAGRAM MANUAL**

**30-41-00**

# Beechcraft STARSHIP 1 WIRING DIAGRAM MANUAL



## PILOT/COPILOT WINDSHIELD WIPER

**Beechcraft**  
**STARSHIP 1**  
**WIRING DIAGRAM MANUAL**

REFERENCE DESIGNATOR	PART NUMBER	DESCRIPTION	USABLE	
			INSTL ZONE	ON CODE
30-41-00				
B113	122-382118-1	WIPER-PILOTS WINDSHIELD		221
B114	122-382118-2	WIPER-COPILOTS WINDSHIELD		222
E218	122-382129-1	CONTROLLER-WINDSHIELD WIPER		221
P791	MS3456L18-1S	PLUG-WIPER CONTROLLER		221
P792	MS3476L16-8S	PLUG-WIPER CONTROLLER		221
P793	MS3456L18-1S	PLUG-CONTROLLER OUTPUT		221
P794	MS3456L18-1S	PLUG-PILOTS WINDSHIELD WIPER		221
P795	MS3456L18-1S	PLUG-COPILOTS WINDSHIELD WIPER		222
W610	M27500-16TE2T14	CABLE-2 CNDCT		221
W611	M27500-16TE2T14	CABLE-2 CNDCT		221
W612	M27500-16TE2T14	CABLE-2 CNDCT		221
W613	M27500-16TE2T14	CABLE-2 CNDCT		221
W614	M27500-16TE2T14	CABLE-2 CNDCT		221
W615	M27500-16TE2T14	CABLE-2 CNDCT		221

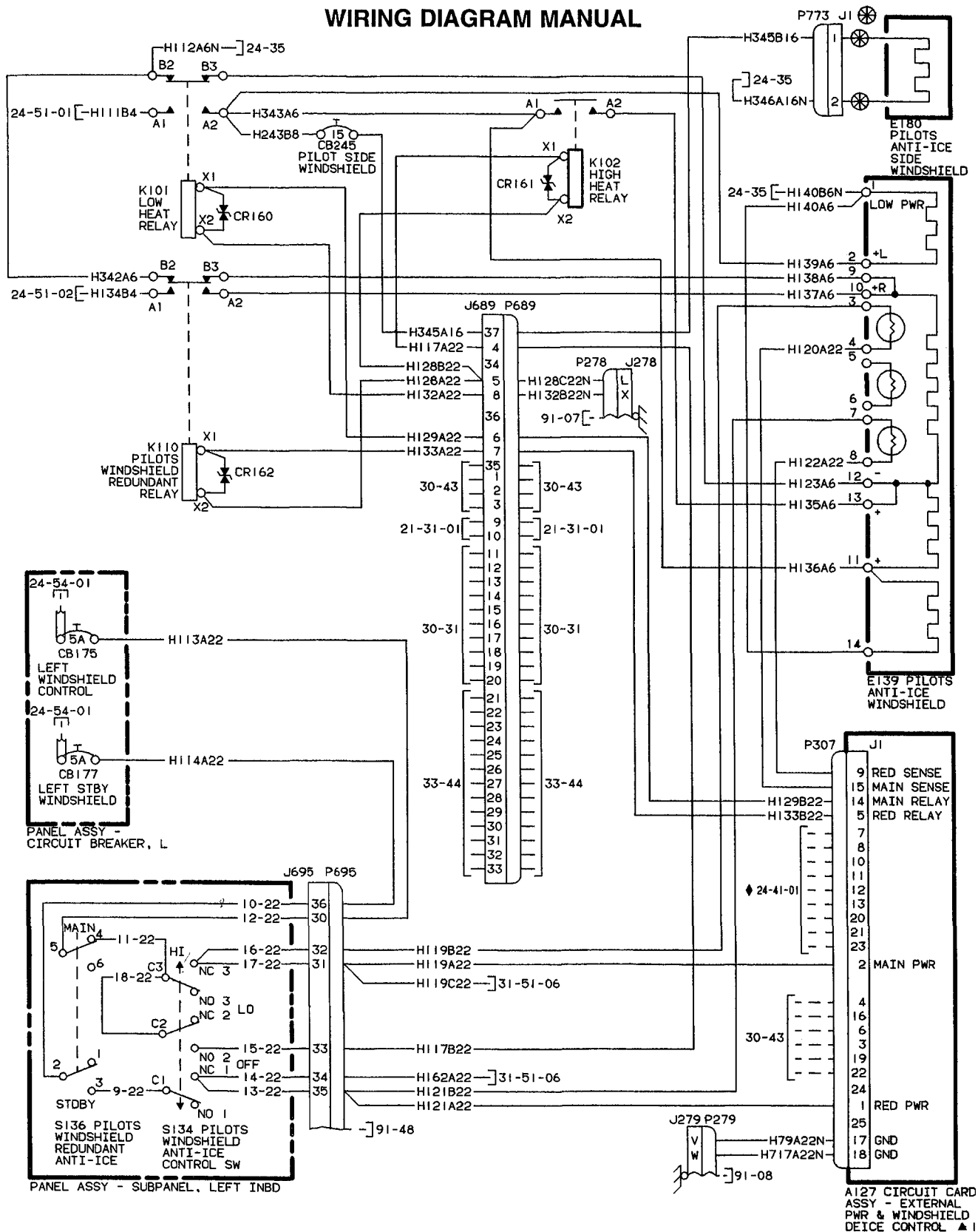
**EFFECTIVITY CODE**

**Beechcraft**  
**STARSHIP 1**  
**WIRING DIAGRAM MANUAL**

**30-42-00**



# Beechcraft STARSHIP 1 WIRING DIAGRAM MANUAL



◆ EFF:NC-30 & AFTER

## PILOTS WINDSHIELD-ANTI-ICE

**Beechcraft**  
**STARSHIP 1**  
**WIRING DIAGRAM MANUAL**

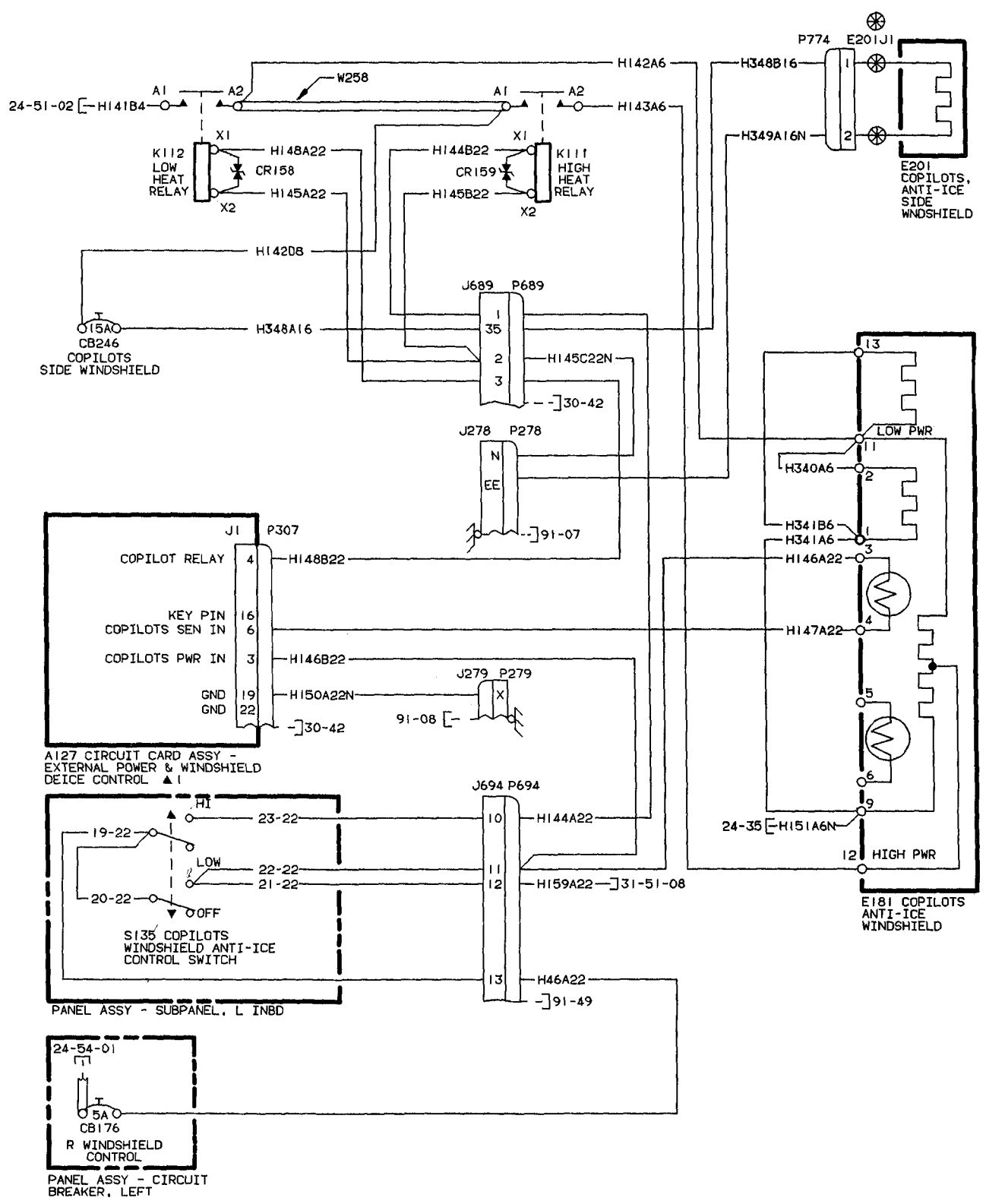
REFERENCE DESIGNATOR	PART NUMBER	DESCRIPTION	USABLE	
			INSTL	ON ZONE CODE
30-42-00				
A127	122-364030-5	CIRCUIT CARD ASSY-EXTERNAL POWER		237
A127J1	DBM25PD	RCPT		237
CB175	131984-5	CB-LEFT WINDSHIELD CONTROL		236
CB177	131984-5	CB-LEFT WINDSHIELD STANDBY ANTI-ICE		236
CB245	131984-15	CB-PILOT SIDE WINDSHIELD HEAT		143
CR160	100-361045-1	TRANSZORB ASSY		143
CR161	100-361045-1	TRANSZORB ASSY		143
CR162	100-361045-1	TRANSZORB ASSY		143
E139	122-384000-7	PILOT ANTI-ICE WINDSHIELD		251
E180	122-384002-5	PILOT ANTI-ICE SIDE WINDSHIELD		251
K101	SM150D5	RELAY-LOW HEAT		143
K102	6041H80A	RELAY-HIGH HEAT		143
K110	SM150D5	RELAY-PILOT WINDSHIELD REDUNDANT		143
P307	13016BSM-25S	PLUG		237
P773	1-480698-0	PLUG-L SIDE WINDOW		251
S134	13AT236-S-N	SW-PILOT WINDSHIELD ANTI-ICE CENTER		273
S136	112TW59-3D	SW-PILOTS WINDSHIELD REDUNDANT ANTI-ICE		233

**EFFECTIVITY CODE**

**Beechcraft**  
**STARSHIP 1**  
**WIRING DIAGRAM MANUAL**

**30-43-00**

# Beechcraft STARSHIP 1 WIRING DIAGRAM MANUAL



**COPILOTS WINDSHIELD-ANTI-ICE**

**Beechcraft**  
**STARSHIP 1**  
**WIRING DIAGRAM MANUAL**

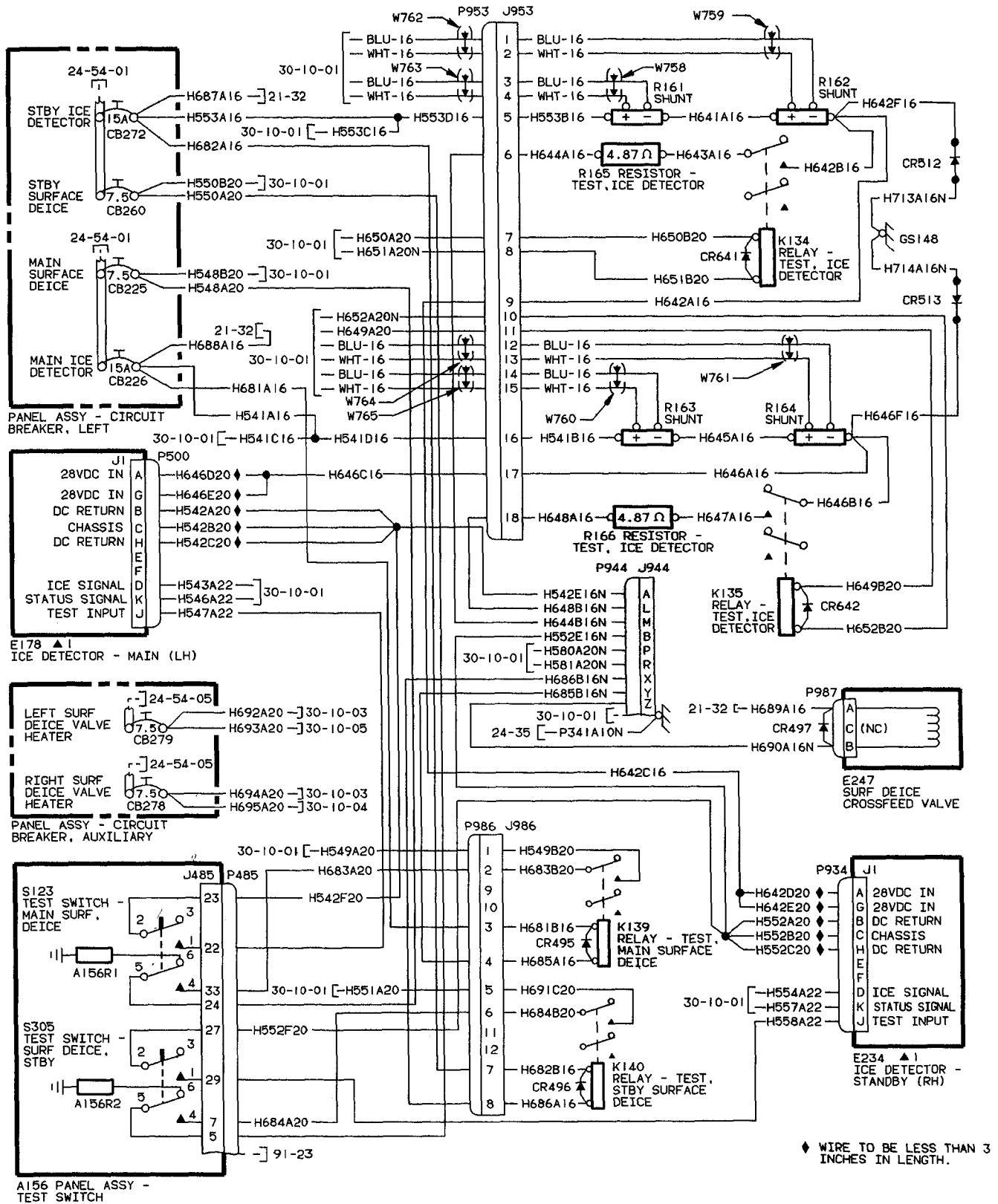
REFERENCE DESIGNATOR	PART NUMBER	DESCRIPTION	USABLE	
			INSTL ZONE	ON CODE
<b>30-43-00</b>				
CB176	131984-5	CB-RIGHT WINDSHIELD CONTROL		236
CB246	131984-15	CB-COPILOT SIDE WINDSHIELD HEAT		143
CR158	100-361045-1	TRANSZORB ASSY		143
CR159	100-361045-1	TRANSZORB ASSY		143
E181	122-384000-8	COPILOT ANTI-ICE WINDSHIELD		252
E201	122-384002-6	COPILOT ANTI-ICE SIDE WINDSHIELD		252
K111	6041H80A	RELAY-HIGH HEAT		143
K112	6041H80A	RELAY-LOW HEAT		143
P774	1-480698-0	PLUG-R SIDE WINDOW		252
S135	112TW59-10N	SW-COPILOT WINDSHIELD ANTI-ICE		233

**EFFECTIVITY CODE**

**Beechcraft**  
**STARSHIP 1**  
**WIRING DIAGRAM MANUAL**

**30-81-00**

# Beechcraft STARSHIP 1 WIRING DIAGRAM MANUAL



## ICE & RAIN PROTECTION-ICE DETECTION

**Beechcraft**  
**STARSHIP 1**  
**WIRING DIAGRAM MANUAL**

REFERENCE DESIGNATOR	PART NUMBER	DESCRIPTION	USABLE
			INSTL ON ZONE CODE
30-81-00			
A156R1	RCR20G472JS	RESISTOR	244
A156R2	RCR20G472JS	RESISTOR	244
CB225	131984-7	CB-MAIN SURFACE DEICE	236
CB226	131984-15	CB-MAIN ICE DETECTOR	236
CB260	131984-7	CB-STANDBY SURFACE DEICE	236
CB272	131984-15	CB-STANDBY ICE DETECTOR	236
CR495	1N4007	DIODE	239
CR496	1N4007	DIODE	239
CR497	MR510	DIODE	132
CR512	122-360023-3	DIODE	132
CR513	122-360023-3	DIODE	132
CR641	1N4007	DIODE	132
CR642	1N4007	DIODE	132
E178	0871CT1	ICE DETECTOR-MAIN,RH	132
E234	0871CT1	ICE DETECTOR-LH STANDBY	131
E247	100-389020-1	VALVE-SURFACE DEICE XFEED	132
J944	204814-1	RCPT-SURFACE DEICE GROUND BLOCK	211
J953	207443-1	RCPT-SHUNT BOARD ASSY	132
J986	207018-1	RCPT	239
K134	50-380048-1	RELAY-ICE DETECTOR TEST	132
K135	50-380048-1	RELAY-ICE DETECTOR TEST	132
K139	50-380048-1	RELAY-MAIN SURFACE DEICE TEST	239
K140	50-380048-1	RELAY-STANDBY SURFACE DEICE TEST	239
P500	MS3476L12-10S	PLUG-MAIN ICE DETECTOR	131
P934	MS3476L12-10S	PLUG-RIGHT ICE DETECTION	132
P944	200838-3	PLUG-SURFACE DEICE GROUND BLOCK	211
P953	207442-1	PLUG-SHUNT BOARD ASSY	132
P986	207017-1	PLUG	239
P987	MS3456L10SL-3S	PLUG	132
R161	76251-10	RESISTOR-SHUNT	132
R162	76251-10	RESISTOR-SHUNT	132
R163	76251-10	RESISTOR-SHUNT	132
R164	76251-10	RESISTOR-SHUNT	132
R165	RE75G4R87	RESISTOR-ICE DETECTOR TEST	132
R166	RE75G4R87	RESISTOR-ICE DETECTOR TEST	132
S123	MB2061SW06BK	SW-MAIN SURFACE DEICE TEST	244
S305	MB2061SW06BK	SW-STANDBY SURFACE DEICE TEST	244
W758	M27500-16TG2T14	CABLE-2 CNDCT	132
W759	M27500-16TG2T14	CABLE-2 CNDCT	132
W760	M27500-16TG2T14	CABLE-2 CNDCT	132
W761	M27500-16TG2T14	CABLE-2 CNDCT	132
W762	M27500-16TG2T14	CABLE-2 CNDCT	210
W763	M27500-16TG2T14	CABLE-2 CNDCT	210
W764	M27500-16TG2T14	CABLE-2 CNDCT	210
W765	M27500-22TE2T14	CABLE-2 CNDCT	210

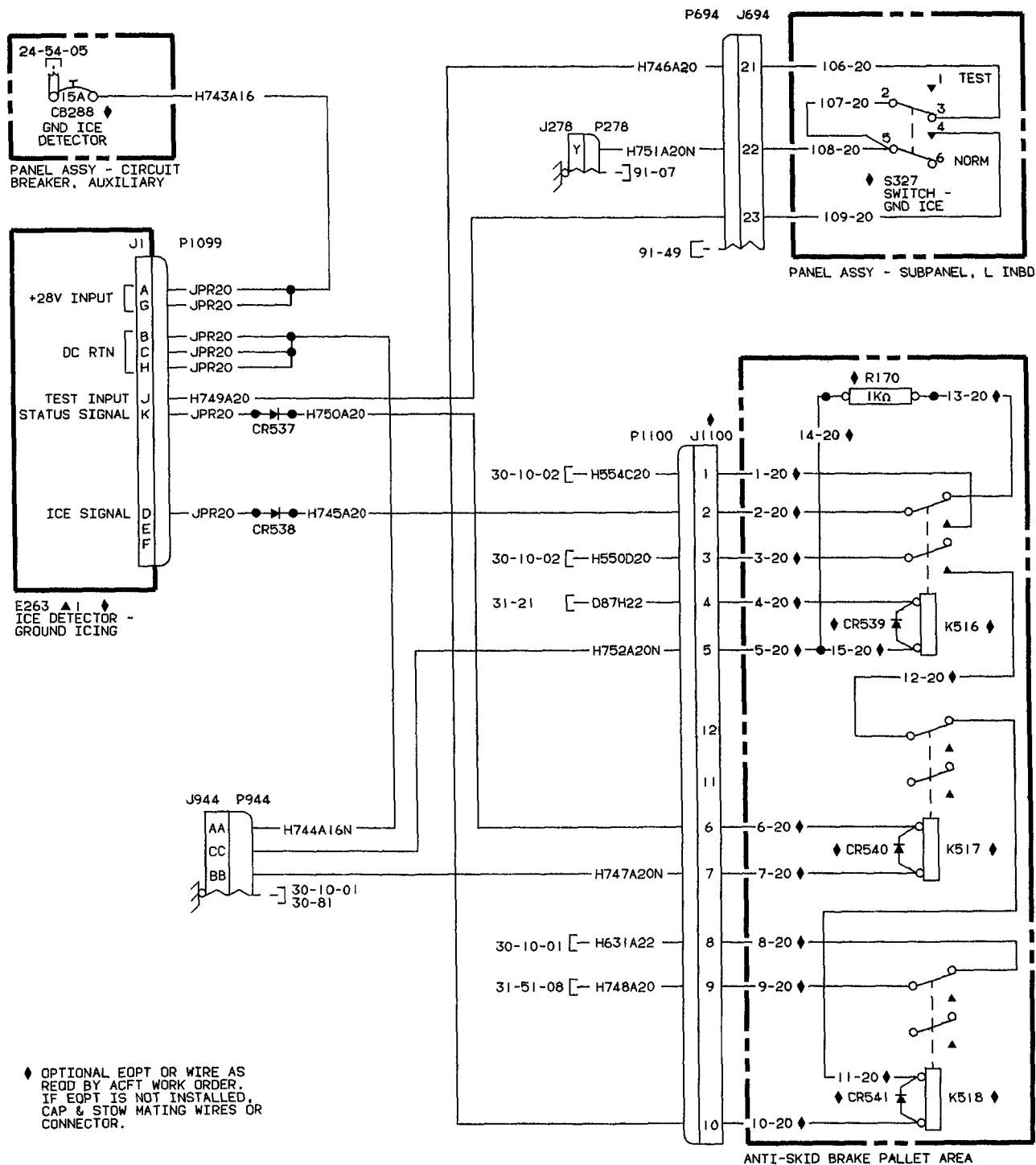
EFFECTIVITY CODE



**Beechcraft**  
**STARSHIP 1**  
**WIRING DIAGRAM MANUAL**

**30-82-00**

# Beechcraft STARSHIP 1 WIRING DIAGRAM MANUAL



## ICE & RAIN PROTECTION-ICE DETECTION, GROUND (OPTIONAL)

**Beechcraft**  
**STARSHIP 1**  
**WIRING DIAGRAM MANUAL**

REFERENCE DESIGNATOR	PART NUMBER	DESCRIPTION	USABLE	
			INSTL ZONE	ON CODE
<b>30-82-00</b>				
CB288	131984-15	CB-GROUND ICE DETECTOR	235	1
CR537	1N4007	DIODE	121	1
CR538	1N4007	DIODE	121	1
CR539	1N4007	DIODE	211	1
CR540	1N4007	DIODE	211	1
CR541	1N4007	DIODE	211	1
E263	0871CT1	ICE DETECTOR-GROUND ICING	121	1
J1100	207018-1	RCPT-RELAY	211	1
J944	204814-1	RCPT-SURFACE DEICE GROUND BLOCK	211	1
K516	50-380048-1	RELAY	211	1
K517	50-380048-1	RELAY	211	1
K518	50-380048-1	RELAY	211	1
P1099	MS3476L12-10S	PLUG-GROUND ICE DETECTOR	121	1
P1100	207017-1	PLUG-RELAY	211	1
R170	RCR20G102JS	RESISTOR	211	1
S327	112TW91-8	SW-GROUND ICE	233	1

**EFFECTIVITY CODE**

1. NC-10, NC-44 & AFTER

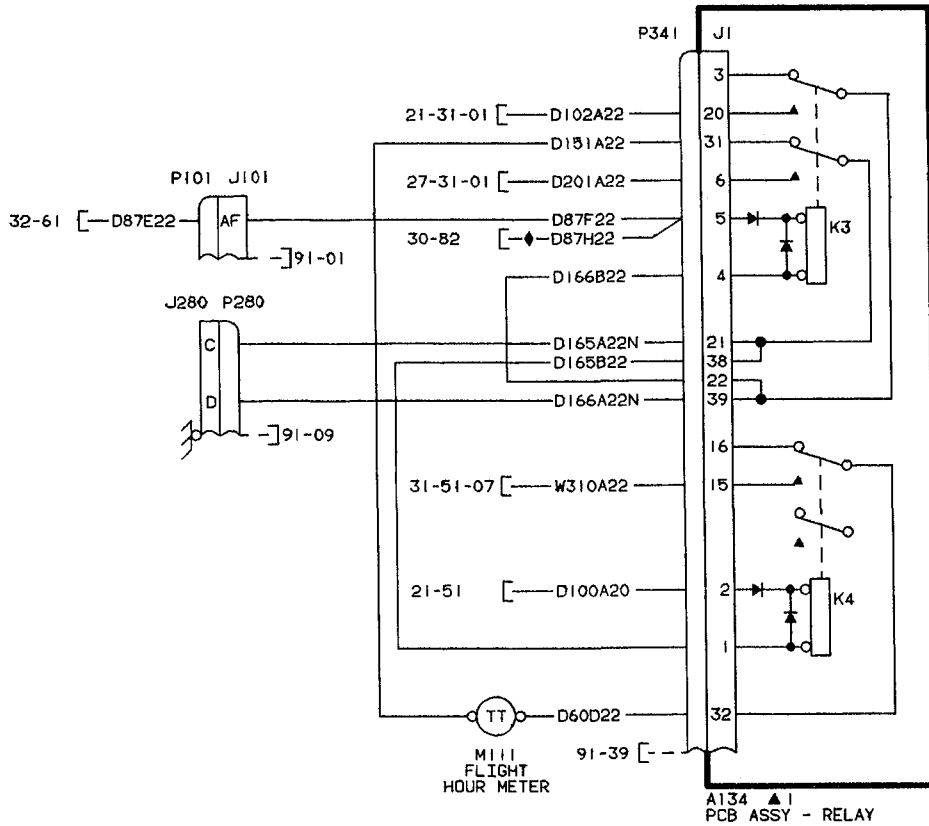
**Beechcraft**  
**STARSHIP 1**  
**WIRING DIAGRAM MANUAL**  
*LIST OF PAGES & TABLE OF CONTENTS*  
*for*  
**CHAPTER 31 - INDICATING/RECORDING SYSTEMS**

<b>SYS/SUB-SYS/ CHAP SECTION</b>	<b>PAGE NO.</b>	<b>EFFECTIVE DATE</b>	<b>TABLE OF CONTENTS</b>
<b>31-21-00</b>	Page 1	02/25/94	INDEPENDENT INSTRUMENTS-FLIGHT HOUR METER
	Page 2	02/25/94	
	Page 3	02/25/94	
<b>31-51-01</b>	Page 1	02/25/94	CENTRAL WARNING SYSTEM-ANNUNCIATOR CONTROL
	Page 2	02/25/94	
	Page 3	02/25/94	
<b>31-51-02</b>	Page 1	02/25/94	CENTRAL WARNING SYSTEM-ANNUNCIATOR WARNING
	Page 2	02/25/94	
	Page 3	02/25/94	
<b>31-51-03</b>	Page 1	02/25/94	CENTRAL WARNING SYSTEM-ANNUNCIATOR TEST
	Page 2	02/25/94	
	Page 3	02/25/94	
<b>31-51-04</b>	Page 1	02/25/94	CENTRAL WARNING SYSTEM-L ENGINE CONCENTRATOR
	Page 2	02/25/94	
	Page 3	02/25/94	
<b>31-51-05</b>	Page 1	02/25/94	CENTRAL WARNING SYSTEM-R ENGINE CONCENTRATOR
	Page 2	02/25/94	
	Page 3	02/25/94	
<b>31-51-06</b>	Page 1	02/25/94	CENTRAL WARNING SYSTEM-AVIONICS INTERFACE, LEFT
	Page 2	02/25/94	
	Page 3	02/25/94	
<b>31-51-07</b>	Page 1	02/25/94	CENTRAL WARNING SYSTEM-ANNUNCIATION POWER
	Page 2	02/25/94	
	Page 3	02/25/94	
<b>31-51-08</b>	Page 1	02/25/94	CENTRAL WARNING SYSTEM-AVIONICS INTERFACE, RIGHT
	Page 2	02/25/94	
	Page 3	02/25/94	

**Beechcraft**  
**STARSHIP 1**  
**WIRING DIAGRAM MANUAL**

**31-21-00**

# Beechcraft STARSHIP 1 WIRING DIAGRAM MANUAL



## INDEPENDENT INSTRUMENTS-FLIGHT HOUR METER

**Beechcraft**  
**STARSHIP 1**  
**WIRING DIAGRAM MANUAL**

REFERENCE DESIGNATOR	PART NUMBER	DESCRIPTION	USABLE INSTL ON ZONE CODE
		31-21-00	
A134K3	M39016/6-209L	RELAY	237
A134K4	M39016/6-209L	RELAY	237
M111	122-382089-1	FLIGHT HOUR METER	244

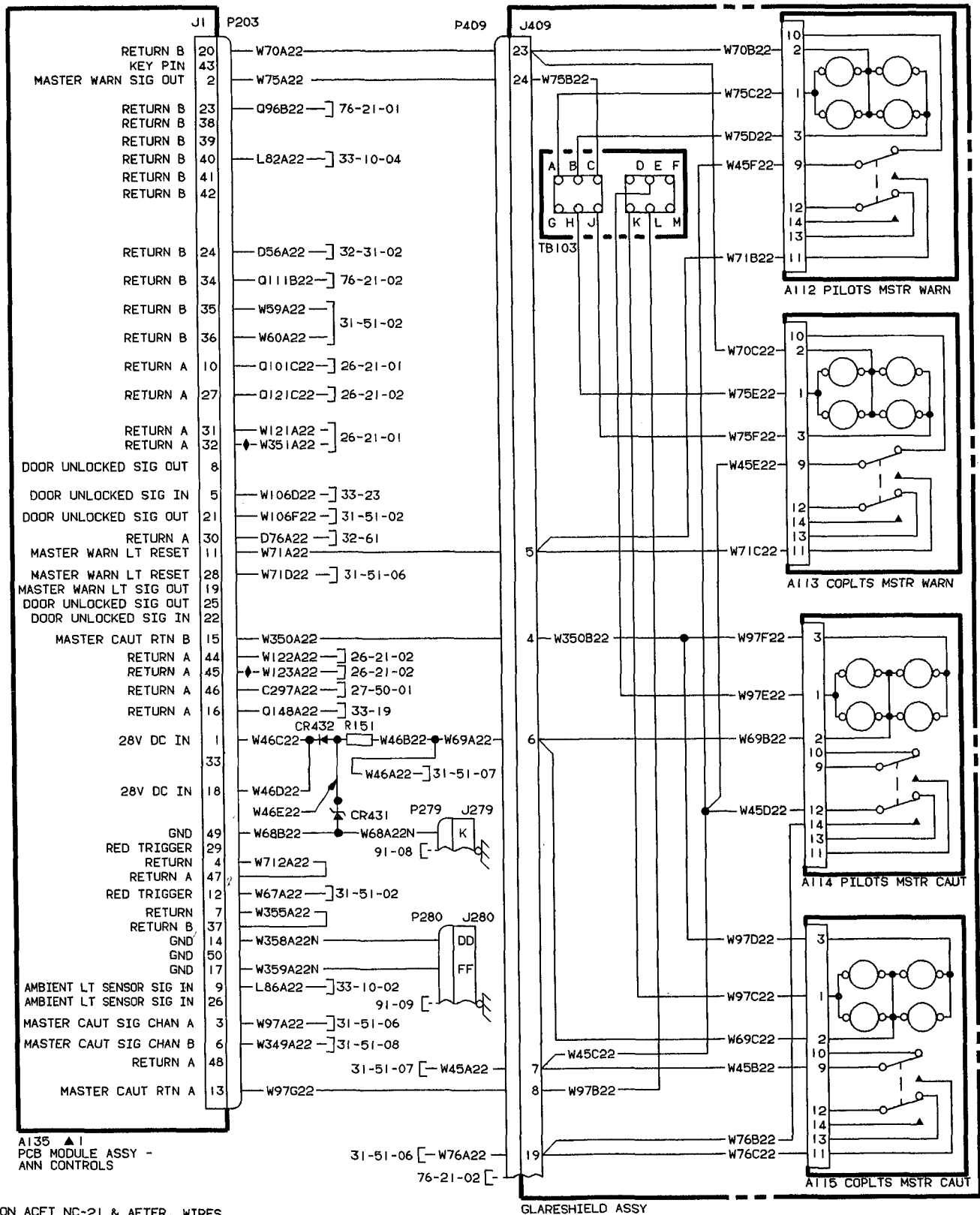
**EFFECTIVITY CODE**

**Beechcraft**  
**STARSHIP 1**  
**WIRING DIAGRAM MANUAL**

**31-51-01**



# Beechcraft STARSHIP 1 WIRING DIAGRAM MANUAL



A135 ▲ PCB MODULE ASSY - ANN CONTROLS

◆ ON ACFT NC-21 & AFTER, WIRES W351A22 & W123A22 ARE NOT USED HEREON. REF 26-21-01 TO GROUND THESE AT GS102 STUD.

## CENTRAL WARNING SYSTEM-ANNUNCIATOR CONTROL

**Beechcraft**  
**STARSHIP 1**  
**WIRING DIAGRAM MANUAL**

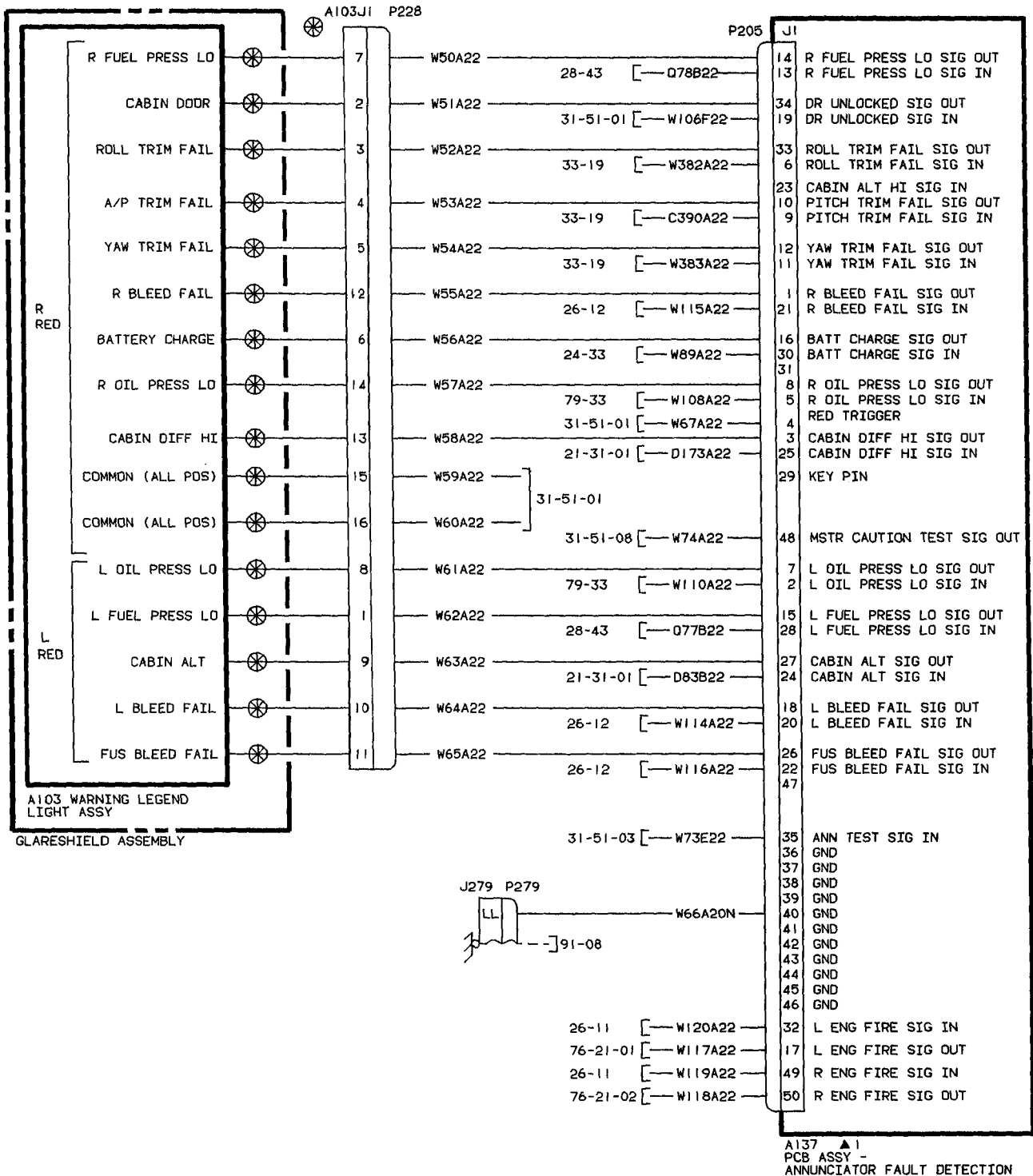
REFERENCE DESIGNATOR	PART NUMBER	DESCRIPTION	USABLE INSTL ON ZONE CODE
31-51-01			
A112	122-382088-5	PILOTS MASTER WARNING	257
A113	122-382088-5	COPILOTS MASTER WARNING	257
A114	122-382088-7	PILOTS MASTER CAUTION	257
A115	122-382088-7	COPILOTS MASTER CAUTION	257
A135	122-364180-1	PCB MODULE ASSY-ANNUNCIATOR CONTROL	237
A135J1	DDM50PD	RCPT	237
CR431	704-15K36	TRANSZORB	237
CR432	1N4007	DIODE	237
J409	206838-1	RCPT	257
P203	130106DSM-50S	PLUG	237
P409	206837-1	PLUG	257
R151	95J1R0	RESISTOR-LIGHTNING STRIKE	237
TB103	204228-3	TERMINAL BOARD	257

**EFFECTIVITY CODE**

**Beechcraft**  
**STARSHIP 1**  
**WIRING DIAGRAM MANUAL**

**31-51-02**

# Beechcraft STARSHIP 1 WIRING DIAGRAM MANUAL



## CENTRAL WARNING SYSTEM-ANNUNCIATOR WARNING

Beechcraft  
**STARSHIP 1**  
**WIRING DIAGRAM MANUAL**

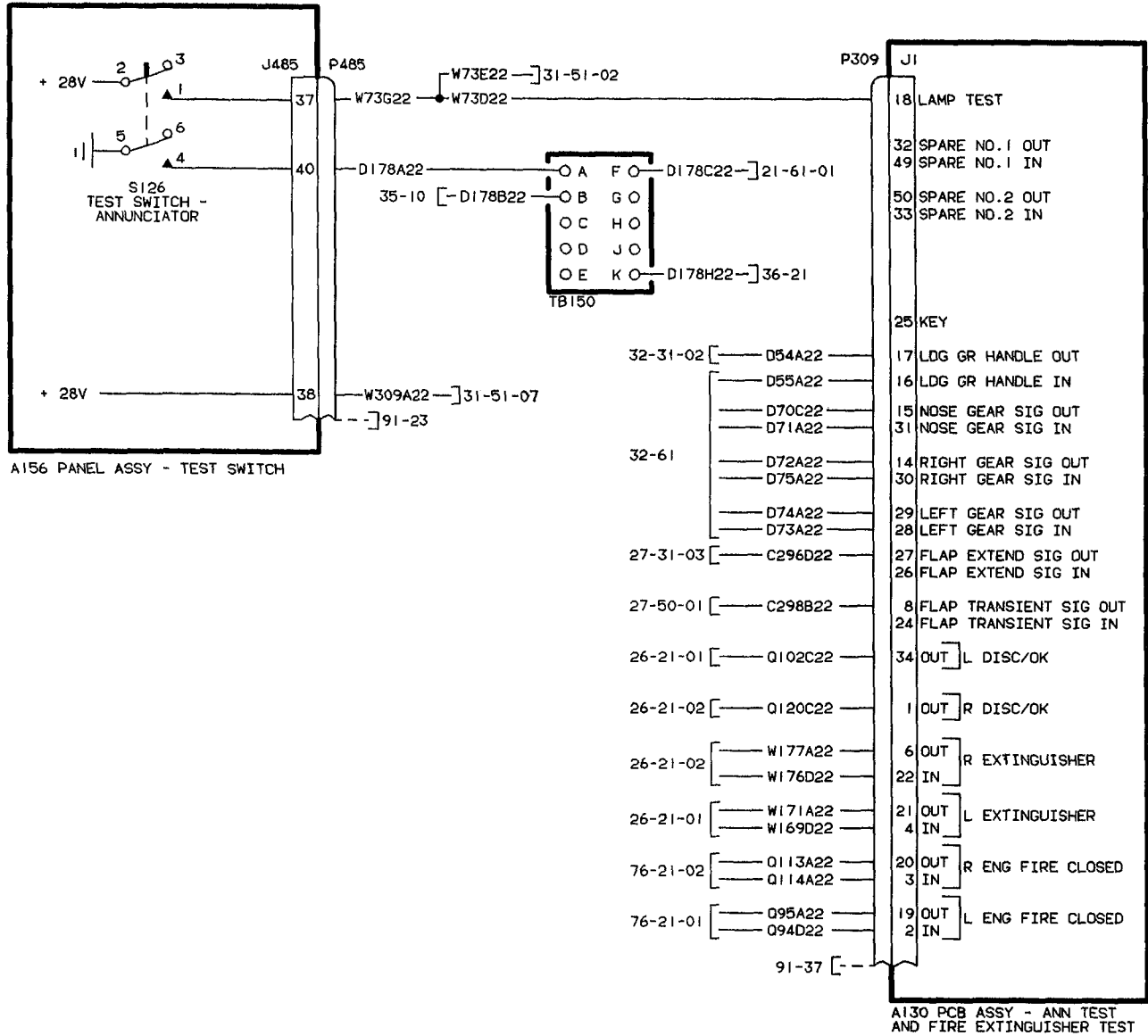
REFERENCE DESIGNATOR	PART NUMBER	DESCRIPTION	USABLE INSTL ON ZONE CODE
31-51-02			
A103	122-322067-9	LIGHT ASSY-WARNING LEGEND	257
A103J1	205840-3	RCPT-WARNING LEGEND LIGHT ASSY	257
A137	122-364139-5	ANNUNCIATOR ASSY-FAULT DETECTION	237
A137J1	DDM50PD	RCPT-FAULT DETECTION ANNUNCIATOR ASSY	237
P205	130106DSM-50S	PLUG-FAULT DETECTION ANNUNCIATOR ASSY	237
P228	205839-3	PLUG-WARNING LEGEND LIGHT ASSY	257

**EFFECTIVITY CODE**

**Beechcraft**  
**STARSHIP 1**  
**WIRING DIAGRAM MANUAL**

**31-51-03**

# Beechcraft STARSHIP 1 WIRING DIAGRAM MANUAL



## CENTRAL WARNING SYSTEM-ANNUNCIATOR TEST

**Beechcraft**  
**STARSHIP 1**  
**WIRING DIAGRAM MANUAL**

REFERENCE DESIGNATOR	PART NUMBER	DESCRIPTION	USABLE
			INSTL ON ZONE CODE
31-51-03			
S126	MB2061SW06BK	SW-ANNUNCIATOR TEST	244
TB150	MRTB20E04	TERMINAL JUNCTION	239

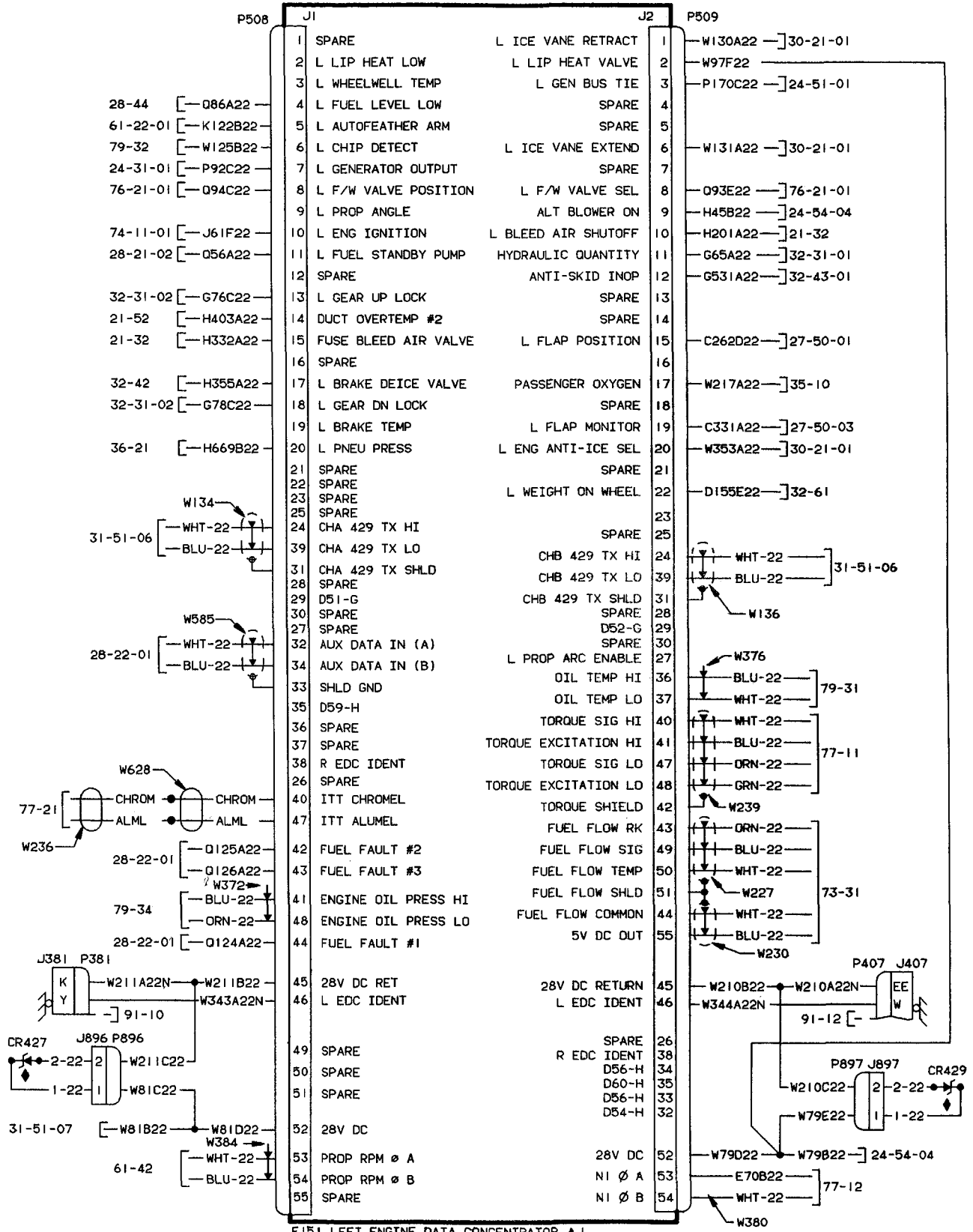
**EFFECTIVITY CODE**



**Beechcraft**  
**STARSHIP 1**  
**WIRING DIAGRAM MANUAL**

**31-51-04**

# Beechcraft STARSHIP 1 WIRING DIAGRAM MANUAL



E151 LEFT ENGINE DATA CONCENTRATOR ▲ I

♦ POLARITY SENSITIVE DEVICE, POSITIVE TERMINAL IDENTIFIED WITH MARKING.

## CENTRAL WARNING SYSTEM-L ENGINE CONCENTRATOR

**Beechcraft**  
**STARSHIP 1**  
**WIRING DIAGRAM MANUAL**

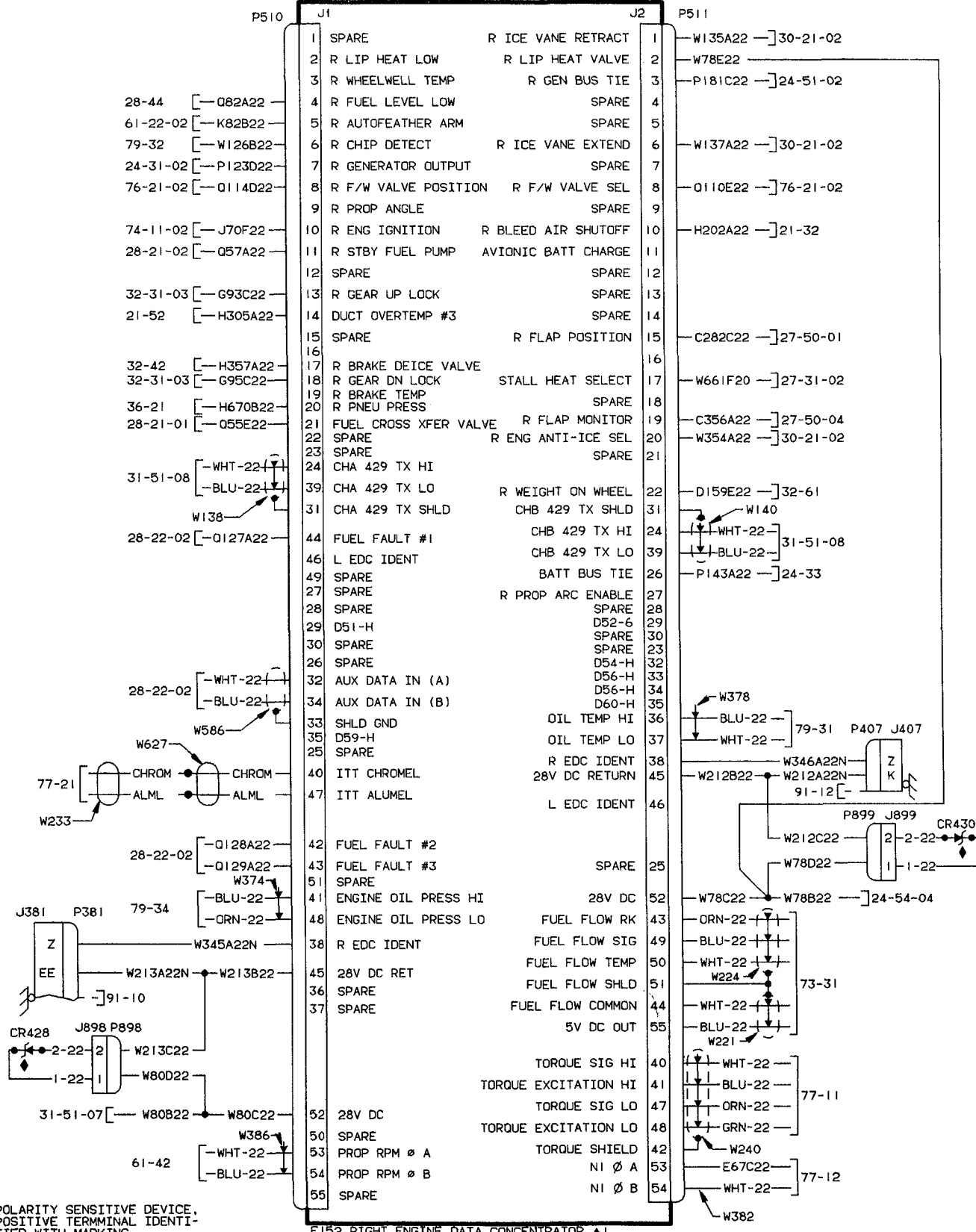
REFERENCE DESIGNATOR	PART NUMBER	DESCRIPTION	USABLE INSTL ON ZONE CODE
31-51-04			
CR427	704-15K36	TRANSZORB	551
CR429	704-15K36	TRANSZORB	551
E151	122-380037-13	CONCENTRATOR-L ENGINE DATA	551
E151J1	D38999/20FE35PA	RCPT-LEFT ENGINE DATA CONC #1	551
E151J2	D38999/20FE35PB	RCPT-LEFT ENGINE DATA CONC #2	551
J896	1-480698-0	RCPT	551
J897	1-480698-0	RCPT	551
P508	D38999/26FE35SA	PLUG-LEFT ENGINE DATA CONC #1	551
P509	D38999/26FE35SB	PLUG-LEFT ENGINE DATA CONC #2	551
P896	1-480699-0	PLUG	551
P897	1-480699-0	PLUG	551
W134	M27500-22TE2T14	CABLE-2 CNDCT	551
W136	M27500-22TE2T14	CABLE-2 CNDCT	551
W227	M27500-22TE3T15	CABLE-3 CNDCT	551
W230	M27500-22TE2T14	CABLE-2 CNDCT	551
W239	M27500-22TE4T14	CABLE-4 CNDCT	551
W372	M27500-22TE3U15	CABLE-3 CNDCT	551
W376	M27500-22TE2U15	CABLE-2 CNDCT	551
W380	M27500-22TE2U15	CABLE-2 CNDCT	551
W384	M27500-22TE2U15	CABLE-2 CNDCT	551
W585	M27500-22TE2T14	CABLE-2 CNDCT	551
W628	M5846-01E20	CABLE-CHROMEL,ALUMEL	551

**EFFECTIVITY CODE**

Beechcraft  
STARSHIP 1  
WIRING DIAGRAM MANUAL

**31-51-05**

# Beechcraft STARSHIP 1 WIRING DIAGRAM MANUAL



♦ POLARITY SENSITIVE DEVICE. POSITIVE TERMINAL IDENTIFIED WITH MARKING.

E152 RIGHT ENGINE DATA CONCENTRATOR ▲1  
**CENTRAL WARNING SYSTEM-R ENGINE CONCENTRATOR**

**Beechcraft**  
**STARSHIP 1**  
**WIRING DIAGRAM MANUAL**

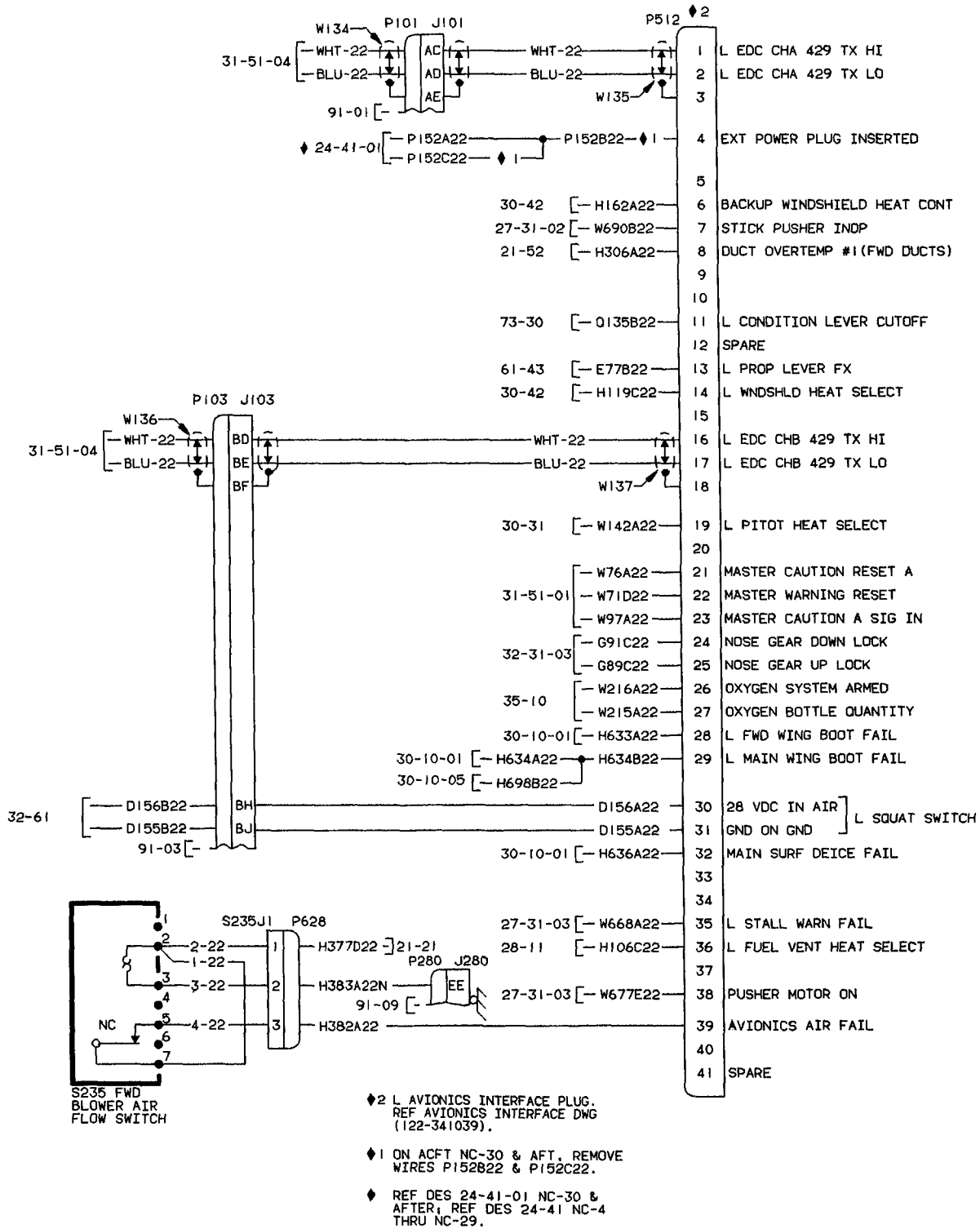
REFERENCE DESIGNATOR	PART NUMBER	DESCRIPTION	USABLE INSTL ON ZONE CODE
31-51-05			
CR428	704-15K36	TRANSZORB	651
CR430	704-15K36	TRANSZORB	651
E152	122-380037-13	CONCENTRATOR-R ENGINE DATA	651
E152J1	D38999/20FE35PA	RCPT-RIGHT ENGINE DATA CONC #1	651
E152J2	D38999/20FE35PB	RCPT-RIGHT ENGINE DATA CONC #2	651
J898	1-480698-0	RCPT	651
J899	1-480698-0	RCPT	651
P510	D38999/26FE35SA	PLUG-RIGHT ENGINE DATA CONC #1	651
P511	D38999/26FE35SB	PLUG-RIGHT ENGINE DATA CONC #2	651
P898	1-480699-0	PLUG	651
P899	1-480699-0	PLUG	651
W138	M27500-22TE2T14	CABLE-2 CNDCT	651
W140	M27500-22TE2T14	CABLE-2 CNDCT	651
W221	M27500-22TE2T15	CABLE-2 CNDCT	651
W224	M27500-22TE3T15	CABLE-3 CNDCT	651
W240	M27500-22TE4T14	CABLE-4 CNDCT	651
W374	M27500-22TE3U15	CABLE-3 CNDCT	651
W378	M27500-22TE2U15	CABLE-2 CNDCT	651
W382	M27500-22TE2U15	CABLE-2 CNDCT	651
W386	M27500-22TE2U15	CABLE-2 CNDCT	651
W586	M27500-22TE2T14	CABLE-2 CNDCT	651
W627	M5846-01E20	CABLE-CHROMEL,ALUMEL	651

**EFFECTIVITY CODE**

**Beechcraft**  
**STARSHIP 1**  
**WIRING DIAGRAM MANUAL**

**31-51-06**

# Beechcraft STARSHIP 1 WIRING DIAGRAM MANUAL



## CENTRAL WARNING SYSTEM-AVIONICS INTERFACE, LEFT



**Beechcraft**  
**STARSHIP 1**  
**WIRING DIAGRAM MANUAL**

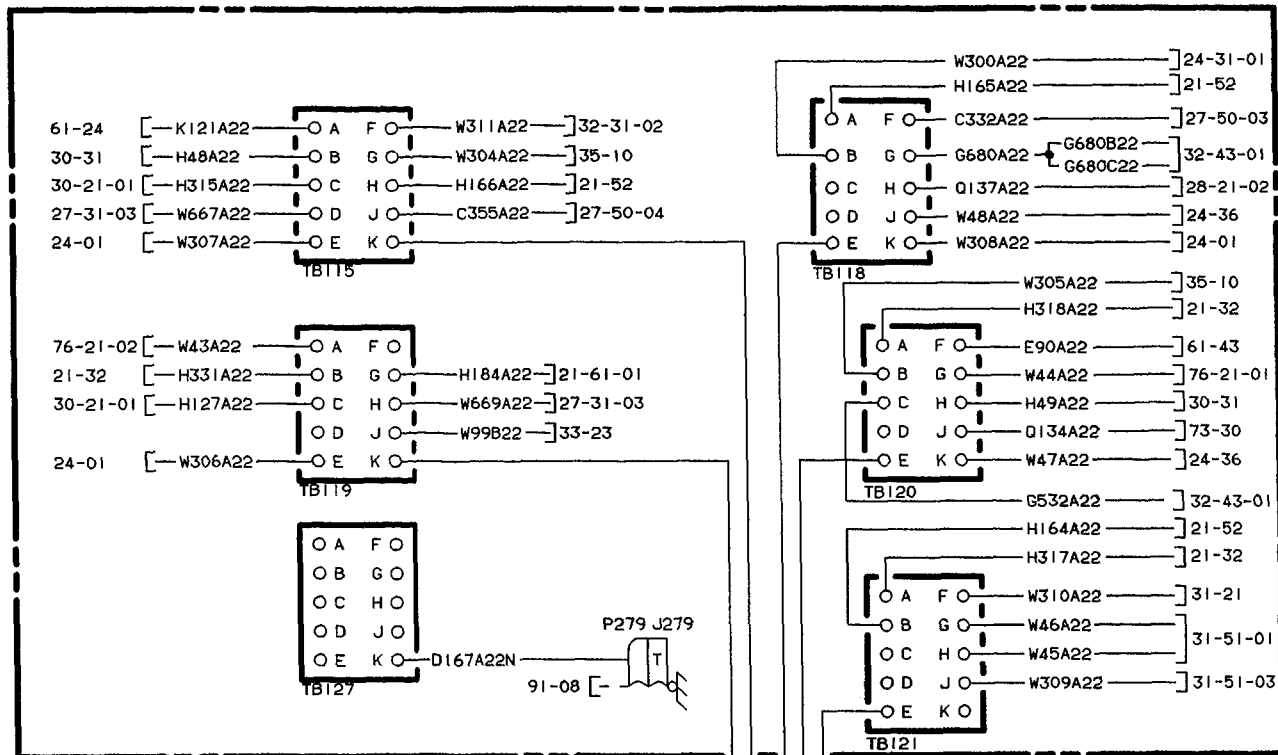
REFERENCE DESIGNATOR	PART NUMBER	DESCRIPTION	USABLE INSTL ON ZONE CODE
<b>31-51-06</b>			
P512	M83723/75R2041N	PLUG-LEFT DAU AVIONICS INTERFACE	143
P628	207360-1	PLUG-FWD BLOWER AIR FLOW SW BREAK	248
S235	LS-5022	SENSOR SW ASSY-FWD BLOWER AIR FLOW	248
S235J1	207359-1	RCPT-FWD BLOWER AIR FLOW BREAK	248
W134	M27500-22TE2T14	CABLE-2 CNDCT	551
W135	M27500-22TE2T14	CABLE-2 CNDCT	143
W136	M27500-22TE2T14	CABLE-2 CNDCT	551
W137	M27500-22TE2T14	CABLE-2 CNDCT	246

**EFFECTIVITY CODE**

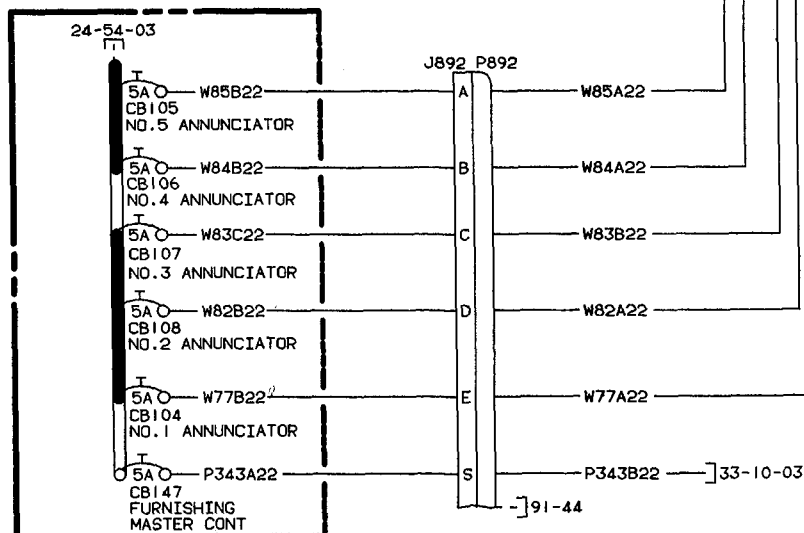
**Beechcraft**  
**STARSHIP 1**  
**WIRING DIAGRAM MANUAL**

**31-51-07**

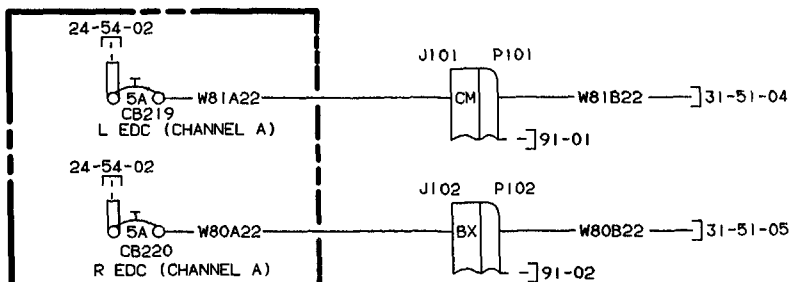
# Beechcraft STARSHIP 1 WIRING DIAGRAM MANUAL



SUBPANEL



PANEL ASSY - CIRCUIT BREAKER, R



PANEL ASSY - CIRCUIT BREAKER, L

## CENTRAL WARNING SYSTEM-ANNUNCIATION POWER

**Beechcraft**  
**STARSHIP 1**  
**WIRING DIAGRAM MANUAL**

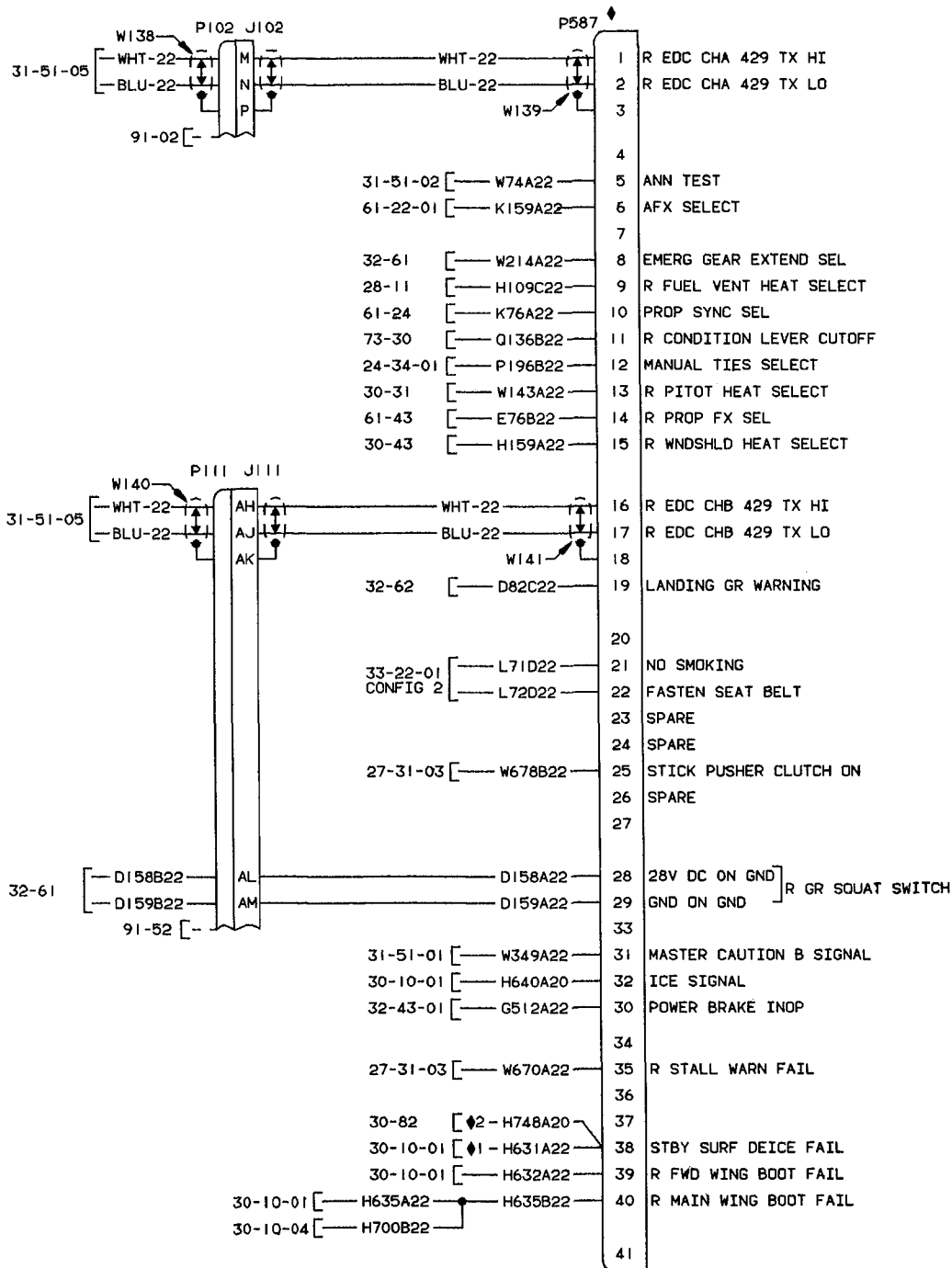
REFERENCE DESIGNATOR	PART NUMBER	DESCRIPTION	USABLE
			INSTL ON ZONE CODE
31-51-07			
CB104	131984-5	CB-NO.1 ANNUNCIATOR	246
CB105	131984-5	CB-NO.5 ANNUNCIATOR	246
CB106	131984-5	CB-NO.4 ANNUNCIATOR	246
CB107	131984-5	CB-NO.3 ANNUNCIATOR	246
CB108	131984-5	CB-NO.2 ANNUNCIATOR	246
CB147	131984-5	CB-FURNISHING MASTER CONTROL	246
CB219	131984-5	CB-LEFT EDC CHANNEL A	236
CB220	131984-5	CB-RIGHT EDC CHANNEL A	236
TB115	MRTB20E04	TERMINAL JUNCTION	239
TB118	MRTB20E04	TERMINAL JUNCTION	239
TB119	MRTB20E04	TERMINAL JUNCTION	239
TB120	MRTB20E04	TERMINAL JUNCTION	239
TB121	MRTB20E04	TERMINAL JUNCTION	239
TB127	MRTB20E04	TERMINAL JUNCTION	239

**EFFECTIVITY CODE**

**Beechcraft**  
**STARSHIP 1**  
**WIRING DIAGRAM MANUAL**

**31-51-08**

# Beechcraft STARSHIP 1 WIRING DIAGRAM MANUAL



◆2 USED ON AIRCRAFT NC-10, NC-44 & AFT.

◆1 USED ON AIRCRAFT NC-4 THRU NC-9, NC-11 THRU NC-43

◆ R AVIONICS INTERFACE PLUG. REF AVIONICS INTERFACE DWG (122-341039)

## CENTRAL WARNING SYSTEM-AVIONICS INTERFACE, RIGHT

**Beechcraft**  
**STARSHIP 1**  
**WIRING DIAGRAM MANUAL**

<b>REFERENCE DESIGNATOR</b>	<b>PART NUMBER</b>	<b>DESCRIPTION</b>	<b>USABLE INSTL ON ZONE CODE</b>
<b>31-51-08</b>			
P587	M83723/75R2041N	PLUG-RIGHT AVIONICS INTERFACE	143
W138	M27500-22TE2T14	CABLE-2 CNDCT	651
W139	M27500-22TE2T14	CABLE-2 CNDCT	143
W140	M27500-22TE2T14	CABLE-2 CNDCT	651
W141	M27500-22TE2T14	CABLE-2 CNDCT	143

**EFFECTIVITY CODE**

**Beechcraft**  
**STARSHIP 1**  
**WIRING DIAGRAM MANUAL**  
*LIST OF PAGES & TABLE OF CONTENTS*  
*for*  
**CHAPTER 32 - LANDING GEAR**

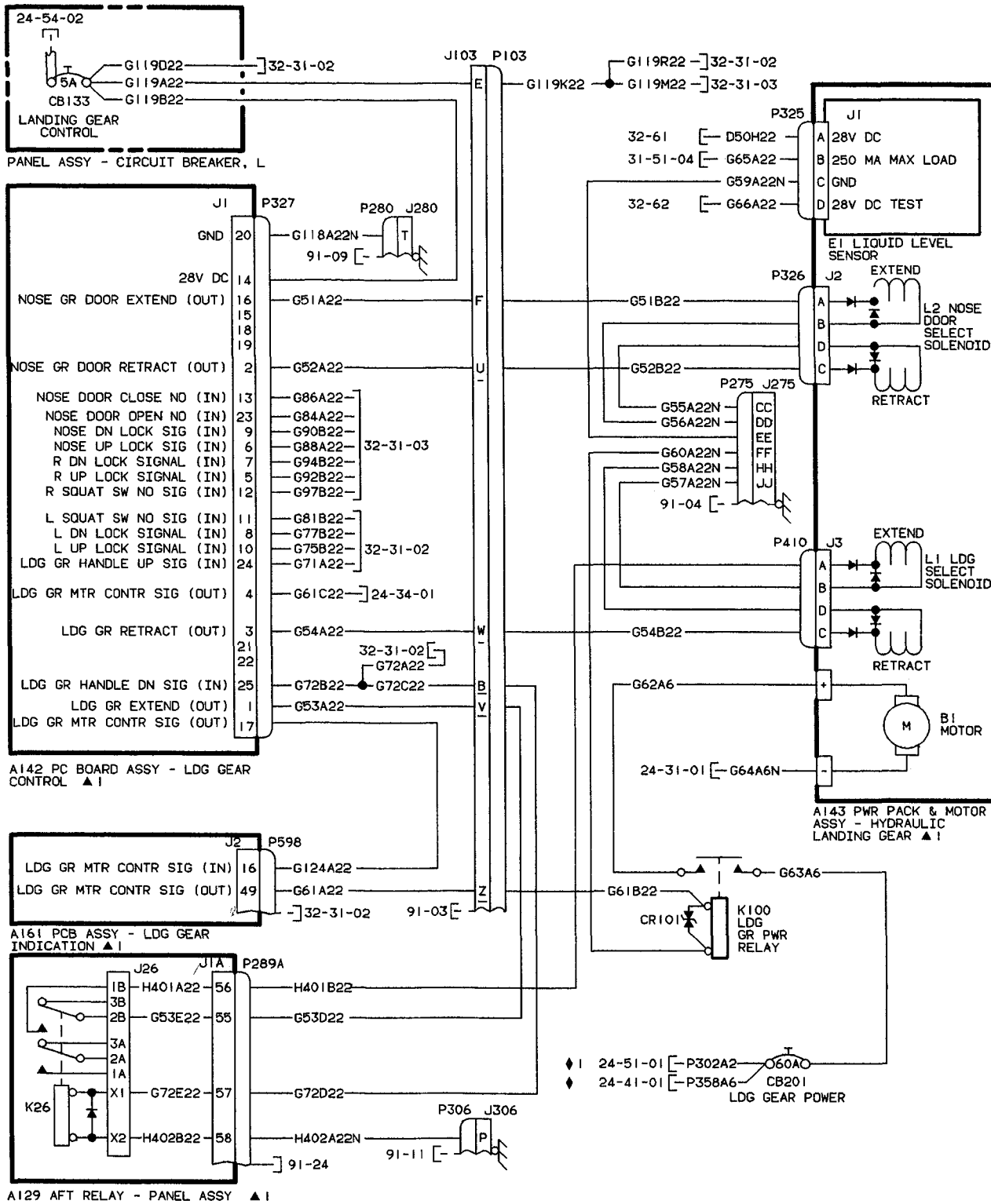
<b>SYS/SUB-SYS/ CHAP SECTION</b>	<b>PAGE NO.</b>	<b>EFFECTIVE DATE</b>	<b>TABLE OF CONTENTS</b>
<b>32-31-01</b>	Page 1	02/25/94	EXTENSION & RETRACTION-HYDRAULIC GEAR POWER
	Page 2	02/25/94	
	Page 3	02/25/94	
<b>32-31-02</b>	Page 1	02/25/94	EXTENSION & RETRACTION-HYDRAULIC GEAR CONTROL
	Page 2	02/25/94	
	Page 3	02/25/94	
<b>32-31-03</b>	Page 1	02/25/94	EXTENSION & RETRACTION-HYDRAULIC GEAR CONTROL
	Page 2	02/25/94	
	Page 3	02/25/94	
<b>32-42-00</b>	Page 1	02/25/94	WHEELS & BRAKES-BRAKE DEICE (OPTIONAL)
	Page 2	02/25/94	
	Page 3	02/25/94	
<b>32-43-01</b>	Page 1	02/25/94	WHEELS & BRAKES-ANTI-SKID EQUIPMENT
	Page 2	02/25/94	
	Page 3	02/25/94	
<b>32-43-02 (Config 1)</b>	Page 1	02/25/94	WHEELS & BRAKES-ANTI-SKID EQUIPMENT
	Page 2	02/25/94	
	Page 3	02/25/94	
<b>32-43-02 (Config 2)</b>	Page 1	02/25/94	WHEELS & BRAKES-ANTI-SKID EQUIPMENT
	Page 2	02/25/94	
	Page 3	02/25/94	
<b>32-51-00</b>	Page 1	02/25/94	STEERING-NOSE GEAR DISCONNECT
	Page 2	02/25/94	
	Page 3	02/25/94	
<b>32-61-00</b>	Page 1	02/25/94	POSITION & WARNING-HYDRAULIC GEAR
	Page 2	02/25/94	
	Page 3	02/25/94	
<b>32-62-00</b>	Page 1	02/25/94	POSITION & WARNING-LANDING GEAR WARNING
	Page 2	02/25/94	
	Page 3	02/25/94	



**Beechcraft**  
**STARSHIP 1**  
**WIRING DIAGRAM MANUAL**

**32-31-01**

# Beechcraft STARSHIP 1 WIRING DIAGRAM MANUAL



◆ I NC-4 THRU NC-29 ONLY  
 ◆ NC-30 & AFTER

## EXTENSION & RETRACTION-HYDRAULIC GEAR POWER

**Beechcraft**  
**STARSHIP 1**  
**WIRING DIAGRAM MANUAL**

REFERENCE DESIGNATOR	PART NUMBER	DESCRIPTION	USABLE	
			INSTL ZONE	ON CODE
32-31-01				
A129J26	451120-051	RCPT-RELAY	320	
A129K26	M6106/27-023	RELAY	320	
A142	122-364028-11	PCB ASSY-LDG GR CONTROL	237	1
A142	122-364028-27	PCB ASSY-LDG GR CONTROL	237	2
A142J1	DBM25PD	RCPT-LDG GR CONTROL PCB ASSY	237	
A143	122-380014-9	POWER PACK & MOTOR ASSY-HYDRAULIC LDG GR	583	
A161	122-364028-21	PCB ASSY-LDG GR INDICATION	237	
A161J2	DDM50PD	RCPT	237	
CB133	131984-5	CB-LDG GR CONTROL	236	
CB201	160-012-60	CB-LDG GR POWER	583	
CR101	100-361045-1	TRANSZORB ASSY	583	
K100	SM200D21	RELAY-LDG GR POWER	583	
P325	MS3116F8-4S	PLUG-LIQUID LEVEL SENSOR	583	
P326	MS3476L10-6S	PLUG-NOSE GR SELECT SOL	583	
P327	130106BSM-25S	PLUG-LDG GR CONTROL PCB	237	
P410	MS3116F8-4SW	PLUG-LDG GR SELECT SOLENOID	583	
P598	130106DSM-50S	PLUG-LDG GR INDICATION PCB	237	

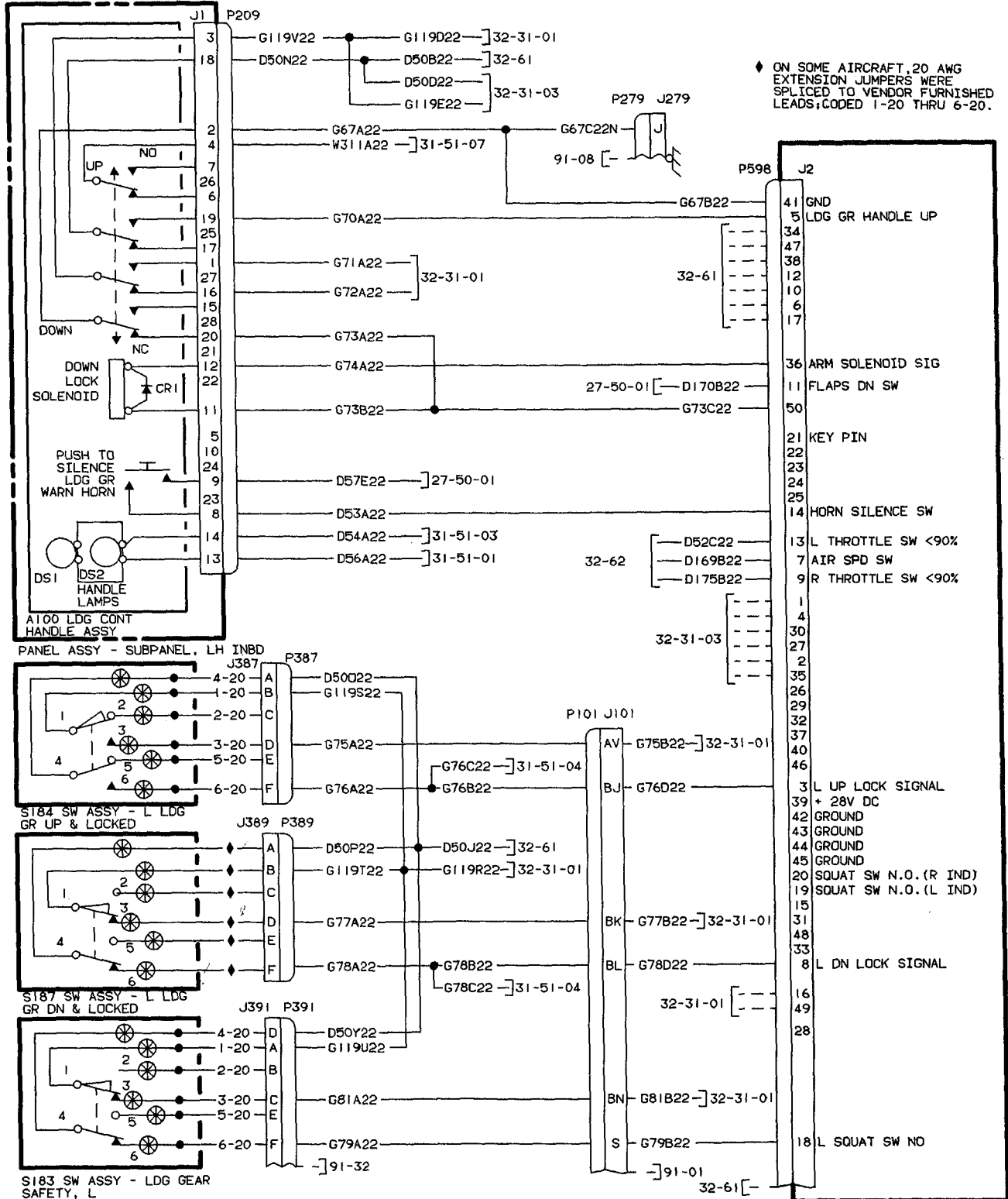
**EFFECTIVITY CODE**

1. NC-4 THRU NC-6
2. NC-7 & AFTER

**Beechcraft**  
**STARSHIP 1**  
**WIRING DIAGRAM MANUAL**

**32-31-02**

# Beechcraft STARSHIP 1 WIRING DIAGRAM MANUAL



NOTE:  
ALL SWITCHES ARE SHOWN WITH GR DOWN & LOCKED, UP LOCK SWITCHES ARE ACTUATED WITH GEAR UP, DOWN LOCK SWITCHES WITH GEAR DOWN, SAFETY SWITCH SHOWN WITH WEIGHT ON GEAR.

## EXTENSION & RETRACTION-HYDRAULIC GEAR CONTROL

**Beechcraft**  
**STARSHIP 1**  
**WIRING DIAGRAM MANUAL**

REFERENCE DESIGNATOR	PART NUMBER	DESCRIPTION	USABLE	
			INSTL ZONE	ON CODE
<b>32-31-02</b>				
A100	122-382038-1	SWITCH ASSY-LDG GR CONTROL	233	
A100DS1	MS25237-327	LAMP	233	
A100DS2	MS25237-327	LAMP	233	
A100J1	205840-3	RCPT-LDG GR SW ASSY	233	
A161	122-364028-21	PCB ASSY-LDG GR INDICATION	237	
A161J2	DDM50PD	RCPT	237	
J387	MS3471L10-6P	RCPT	720	
J389	MS3471L10-6PW	RCPT	720	
P387	MS3476L10-6S	PLUG	720	
P389	MS3476L10-6SW	PLUG	720	
P598	130106DSM-50S	PLUG-LDG GR INDICATION PCB	237	
S183	444EN49-6	SW ASSY-LEFT LDG GR SAFETY	720	
S184	H11-1476	SW ASSY-L LDG GR UP & LOCKED	720	1
S184	H11-1627	SW ASSY-L LDG GR UP & LOCKED	720	2
S187	H11-1476	SW ASSY-L LDG GR DN & LOCKED	720	1
S187	H11-1627	SW ASSY-L LDG GR DN & LOCKED	720	2

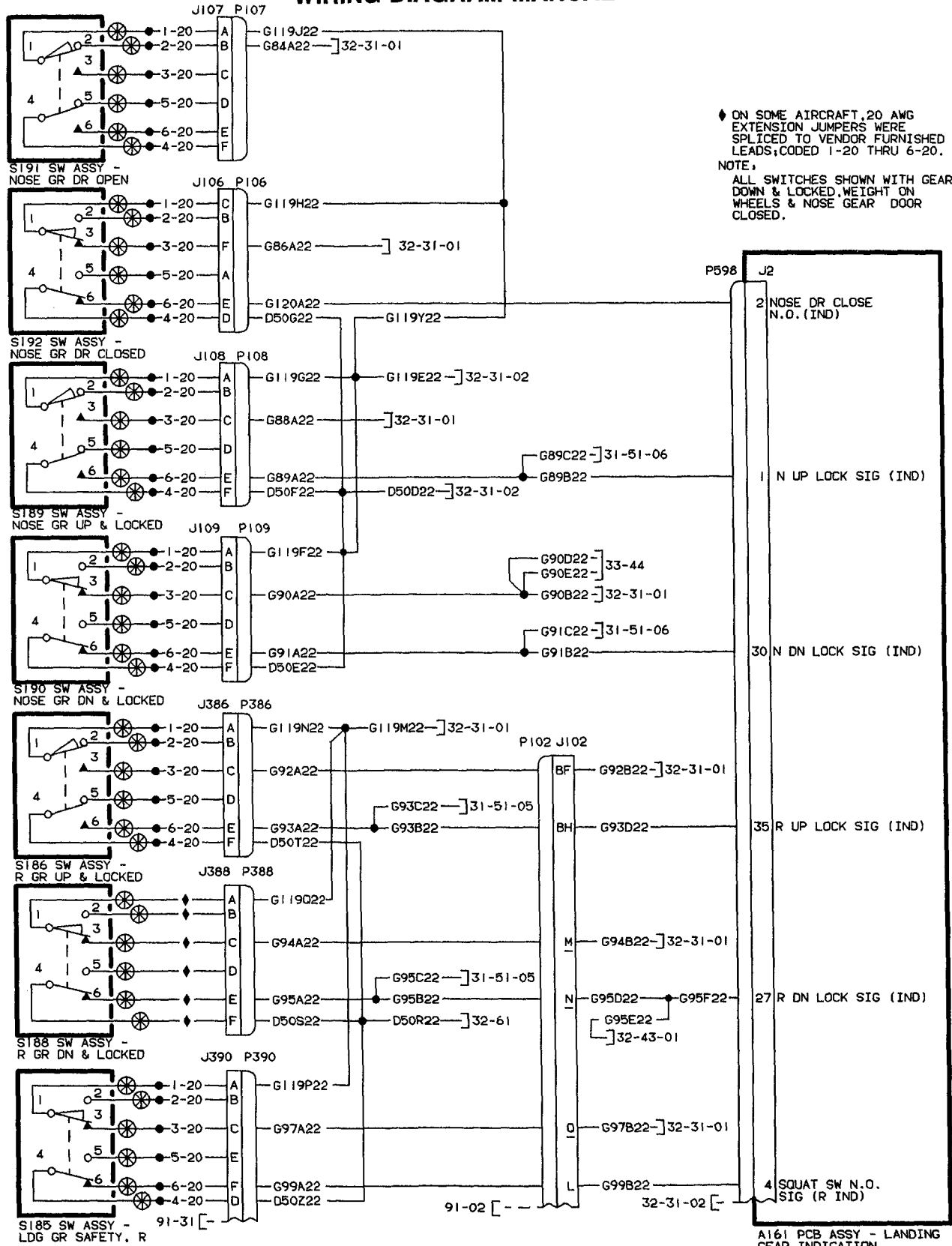
**EFFECTIVITY CODE**

1. NC-4 THRU NC-22
2. NC-23 & AFTER

**Beechcraft**  
**STARSHIP 1**  
**WIRING DIAGRAM MANUAL**

**32-31-03**

# Beechcraft STARSHIP 1 WIRING DIAGRAM MANUAL



**EXTENSION & RETRACTION-HYDRAULIC GEAR CONTROL**



**Beechcraft**  
**STARSHIP 1**  
**WIRING DIAGRAM MANUAL**

REFERENCE DESIGNATOR	PART NUMBER	DESCRIPTION	USABLE	
			INSTL ZONE	ON CODE
<b>32-31-03</b>				
J106	MS3471L10-6PW	RCPT	710	
J107	MS3471L10-6P	RCPT	710	
J108	MS3471L14-12P	RCPT	710	
J109	MS3471L14-12PW	RCPT	710	
J386	MS3471L10-6P	RCPT	730	
J388	MS3471L10-6PW	RCPT	730	
P106	MS3476L10-6SW	PLUG	710	
P107	MS3476L10-6S	PLUG	710	
P108	MS3476L14-12S	PLUG	710	
P109	MS3476L14-12SW	PLUG	710	
P386	MS3476L10-6S	PLUG	730	
P388	MS3476L10-6SW	PLUG	730	
S185	444EN49-6	SW ASSY-RIGHT LDG GR SAFETY	730	
S186	H11-1476	SW ASSY-R LDG GR UP & LOCKED	730	1
S186	H11-1627	SW ASSY-R LDG GR UP & LOCKED	730	2
S188	H11-1476	SW ASSY-R LDG GR DN & LOCKED	730	1
S188	H11-1627	SW ASSY-R LDG GR DN & LOCKED	730	2
S189	H11-1476	SW ASSY-NOSE GR UP & LOCKED	710	1
S189	H11-1627	SW ASSY-NOSE GR UP & LOCKED	710	2
S190	H11-1476	SW ASSY-NOSE GR DN & LOCKED	710	1
S190	H11-1627	SW ASSY-NOSE GR DN & LOCKED	710	2
S191	H11-1476	SW ASSY-NOSE GR DR OPEN	710	1
S191	H11-1627	SW ASSY-NOSE GR DR OPEN	710	2
S192	H11-1476	SW ASSY-NOSE GR DR CLOSED	710	1
S192	H11-1627	SW ASSY-NOSE GR DR CLOSED	710	2

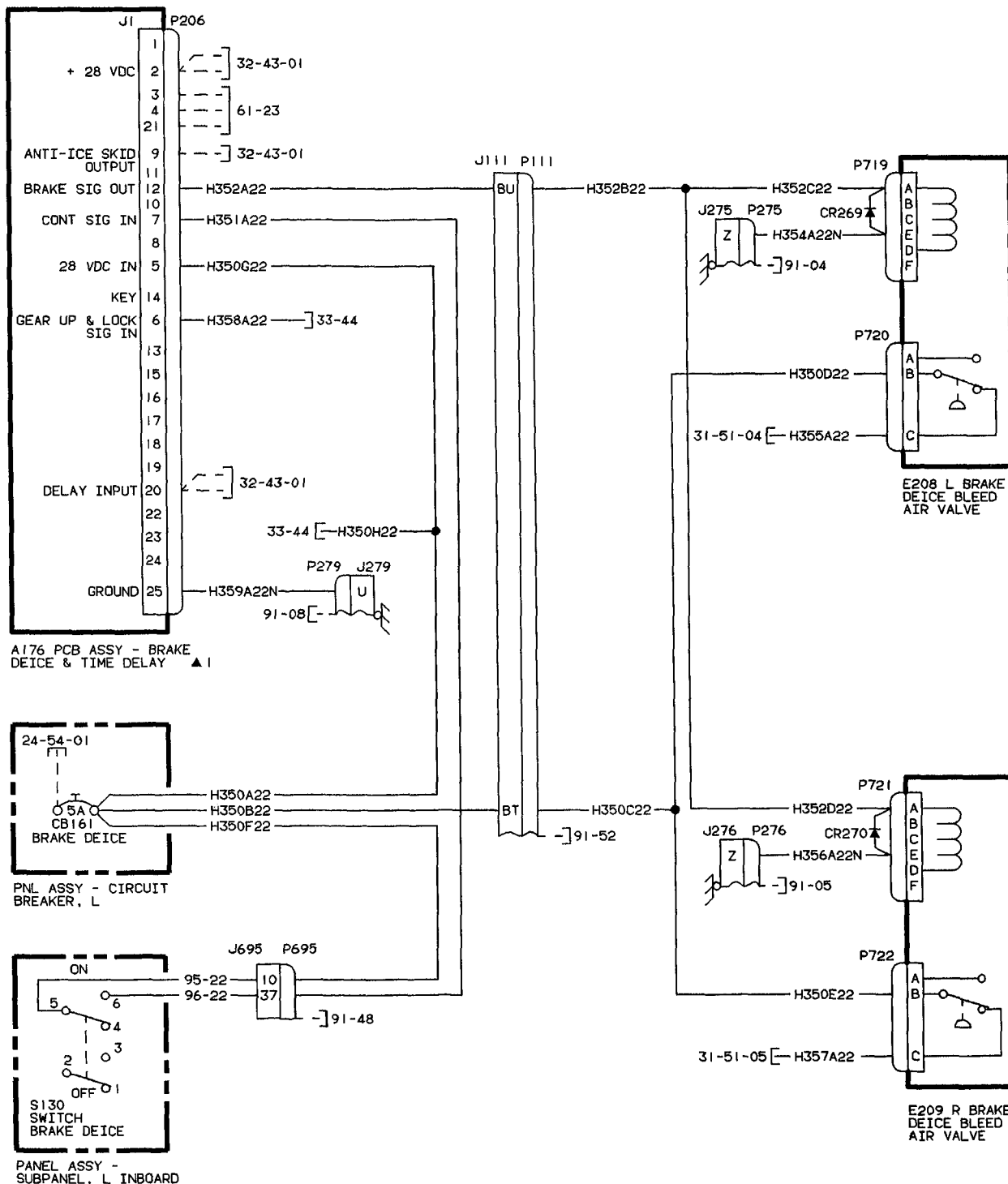
**EFFECTIVITY CODE**

1. NC-4 THRU NC-22
2. NC-23 & AFTER

**Beechcraft**  
**STARSHIP 1**  
**WIRING DIAGRAM MANUAL**

**32-42-00**

# Beechcraft STARSHIP 1 WIRING DIAGRAM MANUAL



**WHEELS & BRAKES-BRAKE DEICE (OPTIONAL)**

Beechcraft  
**STARSHIP 1**  
**WIRING DIAGRAM MANUAL**

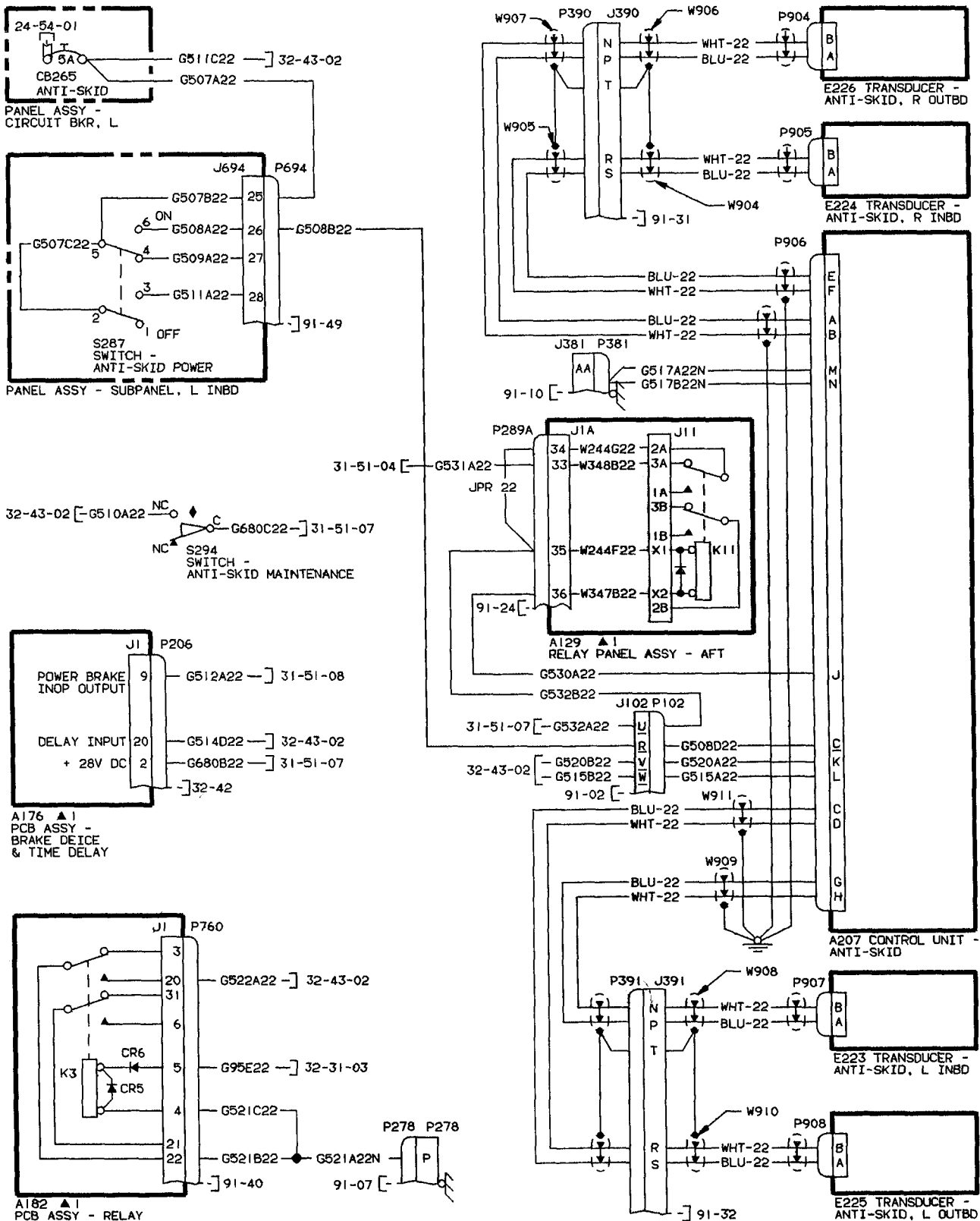
REFERENCE DESIGNATOR	PART NUMBER	DESCRIPTION	USABLE	
			INSTL ZONE	ON CODE
32-42-00				
A176	122-364060-9	PCB ASSY-BRAKE DEICE & TIME DELAY		237
A176J1	DBM25PD	RCPT		237
CB161	131984-5	CB-BRAKE DEICE		236
CR269	1N4007	DIODE		681
CR270	1N4007	DIODE		581
E208	122-381012-1	VALVE ASSY-LEFT BRAKE DEICE		681
E209	122-381012-1	VALVE ASSY-RIGHT BRAKE DEICE		581
P206	130106BSM-25S	PLUG		237
P719	MS3476L10-6S	PLUG		581
P720	MS3456L10SL-3S	PLUG		581
P721	MS34766L10-6S	PLUG		681
P722	MS3456L10-3S	PLUG		681
S130	112TW91-3	SW-BRAKE DEICE		233

**EFFECTIVITY CODE**

**Beechcraft**  
**STARSHIP 1**  
**WIRING DIAGRAM MANUAL**

**32-43-01**

# Beechcraft STARSHIP 1 WIRING DIAGRAM MANUAL



◆ PLUNGER OF S294 SWITCH IS HELD IN THE NORMALLY OPEN POSITION BY ACCESS DOOR PRESSURE.

## WHEELS & BRAKES-ANTI-SKID EQUIPMENT

**Beechcraft**  
**STARSHIP 1**  
**WIRING DIAGRAM MANUAL**

REFERENCE DESIGNATOR	PART NUMBER	DESCRIPTION	USABLE
			INSTL ON ZONE CODE
32-43-01			
A129J11	451120-051	RCPT-RELAY	320
A129K11	M6106/27-023	RELAY	320
A176	122-364060-9	PCB ASSY-BRAKE DEICE & TIME DELAY	237
A176J1	DBM25PD	RCPT	237
A182CR5	1N4007	DIODE	237
A182CR6	1N4007	DIODE	237
A182K3	M39016/6-209L	RELAY	237
A207	42-871-1	ANTI-SKID CONTROL UNIT	556
CB265	131984-5	CB-ANTI-SKID CONTROL	236
E223	140-04715	XDUCER-L INBD ANTI-SKID	720
E224	140-04715	XDUCER-R INBD ANTI-SKID	730
E225	140-04715	XDUCER-L OUTBD ANTI-SKID	720
E226	140-04715	XDUCER-R OUTBD ANTI-SKID	730
P206	130106BSM-25S	PLUG	237
P904	PT06E8-4S	PLUG	730
P905	PT06E8-4S	PLUG	730
P906	MS3126L16-26S	PLUG	556
P907	PT06E8-4S	PLUG	720
P908	PT06E8-4S	PLUG	720
S287	112TW91-3	SW-ANTI-SKID POWER	233
S294	BZ-2RQ1T04	SW-ANTI-SKID MAINTENANCE	211
W904	M27500-22TE2T14	CABLE-2 CNDCT	730
W905	M27500-22TE2T14	CABLE-2 CNDCT	730
W906	M27500-22TE2T14	CABLE-2 CNDCT	730
W907	M27500-22TE2T14	CABLE-2 CNDCT	720
W908	M27500-22TE2T14	CABLE-2 CNDCT	720
W909	M27500-22TE2T14	CABLE-2 CNDCT	556
W910	M27500-22TE2T14	CABLE-2 CNDCT	720
W911	M27500-22TE2T14	CABLE-2 CNDCT	556

EFFECTIVITY CODE

**Beechcraft**  
**STARSHIP 1**  
**WIRING DIAGRAM MANUAL**

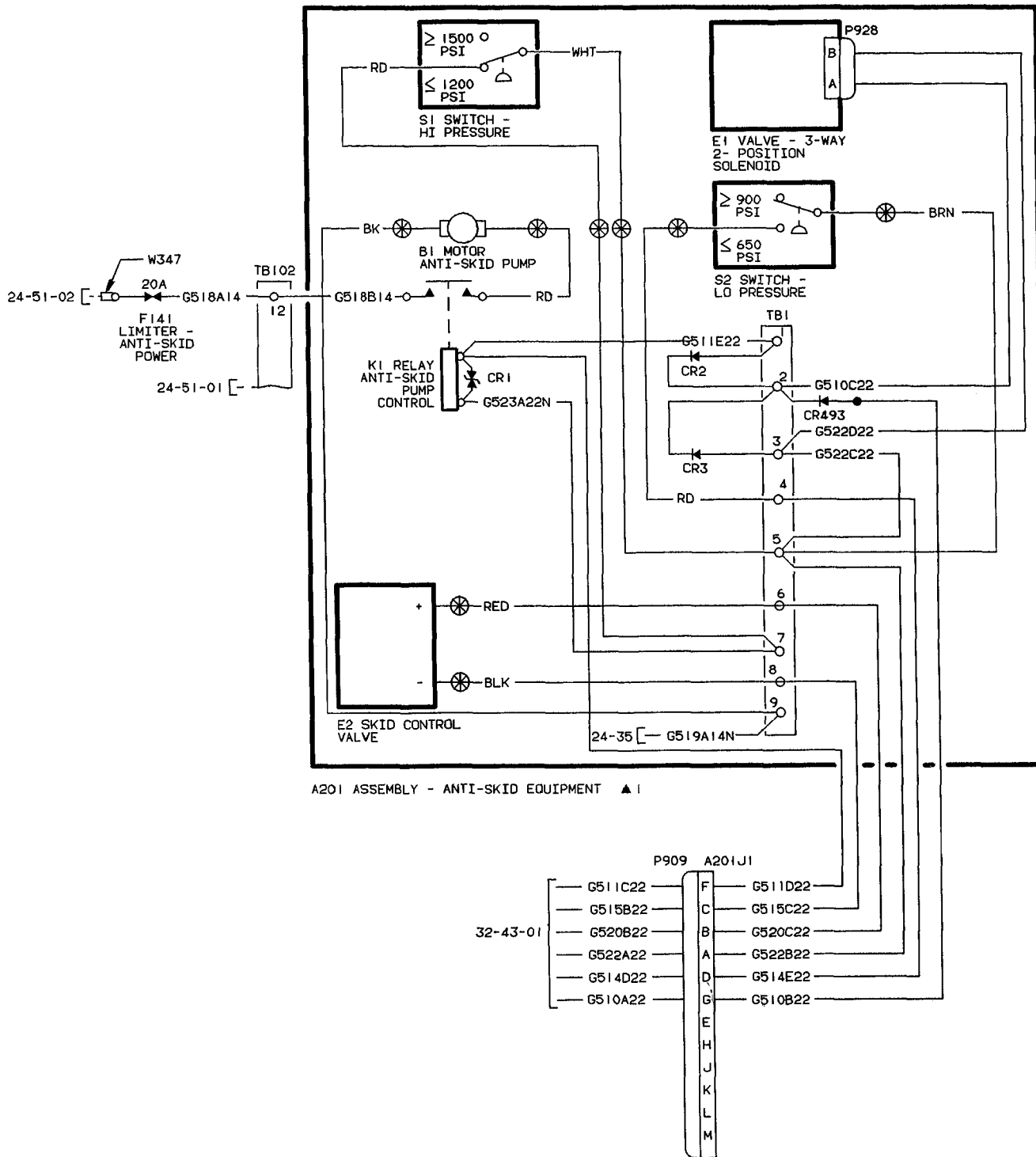
# **32-43-02**

## **Configuration 1**

**NC-4 ONLY**



# Beechcraft STARSHIP 1 WIRING DIAGRAM MANUAL



**WHEELS & BRAKES-ANTI-SKID EQUIPMENT  
(Configuration 1)**

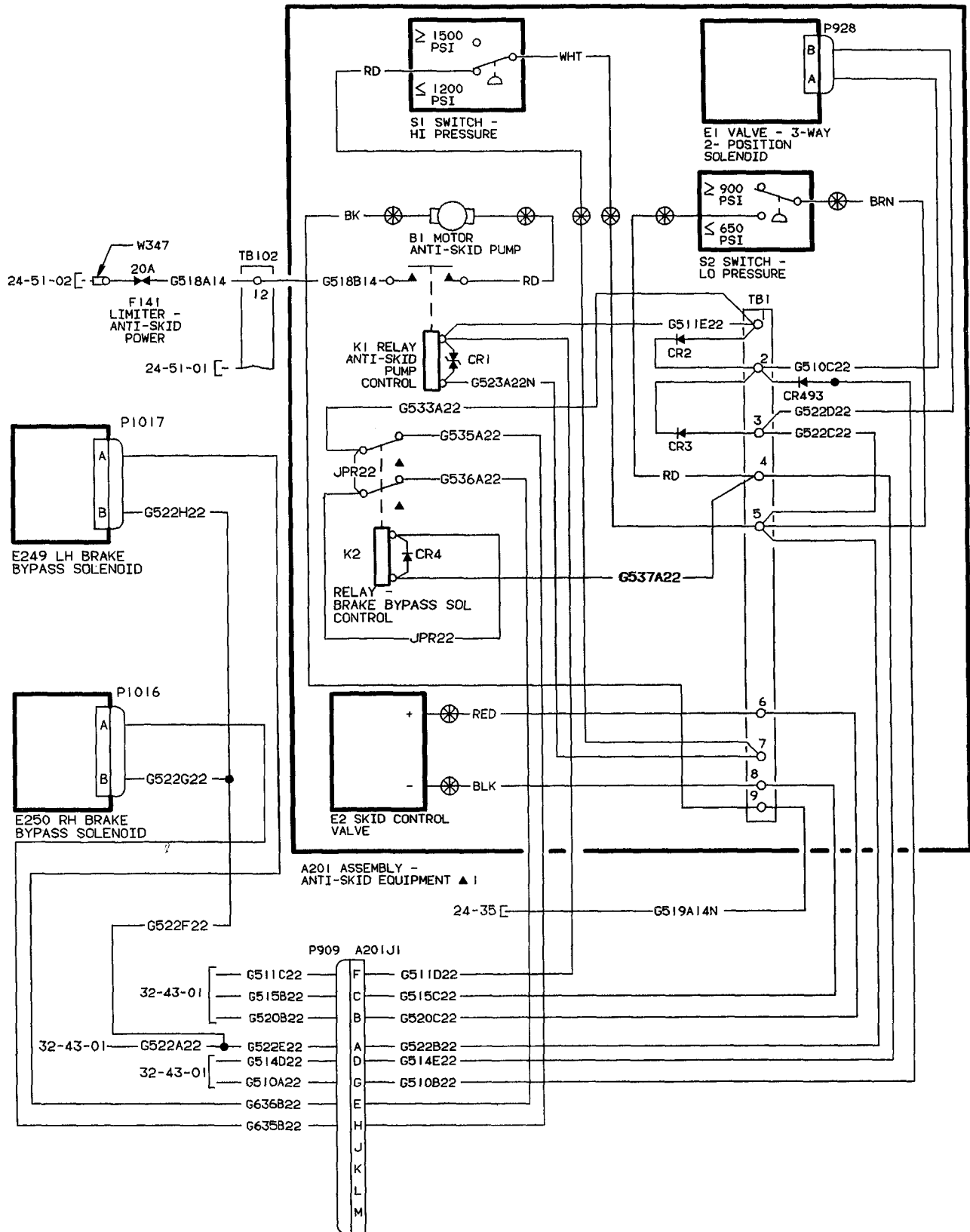
**Beechcraft**  
**STARSHIP 1**  
**WIRING DIAGRAM MANUAL**

REFERENCE DESIGNATOR	PART NUMBER	DESCRIPTION	USABLE	
			INSTL ZONE	ON CODE
<b>32-43-02 (Configuration 1)</b>				
A201	122-580161-1	PALLET-ANTI-SKID BRAKE	131	1
A201B1	122-388007-1	MOTOR-ANTI-SKID PUMP	131	1
A201CR1	100-361045-1	TRANSZORB ASSY	131	1
A201CR2	100-361045-3	DIODE ASSY	131	1
A201CR3	100-361045-3	DIODE ASSY	131	1
A201E1	114-388011-1	VALVE-3-WAY 2 POSITION SOL	131	1
A201E2	38-755-2	VALVE-SKID CONTROL	131	1
A201J1	MS3470L14-12P	RCPT	131	1
A201K1	109-381002-1	RELAY-ANTI-SKID PUMP CONTROL	131	1
A201S1	114-388006-5	SWITCH-HI PRESSURE	131	1
A201S2	114-388006-3	SWITCH-LO PRESSURE	131	1
A201TB1	MS27212-1-9	TERMINAL BOARD	131	1
CR493	1N4007	DIODE	131	1
F141	ACH-20	LIMITER-ANTI-SKID POWER	683	1
P909	MS3476L14-12S	PLUG	131	1
P928	MS3456L10SL-4S	PLUG-3-WAY VALVE	131	1
TB102	MS27212-2-15	TERMINAL BOARD	547	1

**EFFECTIVITY CODE**

1. NC-4 ONLY

# Beechcraft STARSHIP 1 WIRING DIAGRAM MANUAL



**WHEELS & BRAKES-ANTI-SKID EQUIPMENT  
(Configuration 2)**

**Beechcraft**  
**STARSHIP 1**  
**WIRING DIAGRAM MANUAL**

REFERENCE DESIGNATOR	PART NUMBER	DESCRIPTION	USABLE	
			INSTL ZONE	ON CODE
<b>32-43-02 (Configuration 2 )</b>				
A201	122-580161-1	PALLET-ANTI-SKID BRAKE	131	1
A201B1	122-388007-1	MOTOR-ANTI-SKID PUMP	131	1
A201CR1	100-361045-1	TRANSZORB ASSY	131	1
A201CR2	100-361045-3	DIODE ASSY	131	1
A201CR3	100-361045-3	DIODE ASSY	131	1
A201CR4	1N4007	DIODE	131	1
A201E1	114-388011-1	VALVE-3-WAY 2 POSITION SOL	131	1
A201E2	38-755-2	VALVE-SKID CONTROL	131	1
A201J1	MS3470L14-12P	RCPT	131	1
A201K1	109-381002-1	RELAY-ANTI-SKID PUMP CONTROL	131	1
A201K2	50-380048-1	RELAY-BRAKE BYPASS SOL CONTROL	131	1
A201S1	114-388006-5	SWITCH-HI PRESSURE	131	1
A201S2	114-388006-3	SWITCH-LO PRESSURE	131	1
A201TB1	MS27212-1-9	TERMINAL BOARD	131	1
CR493	1N4007	DIODE	131	1
E249	114-388011-1	SOLENOID-LH BRAKE BYPASS	132	1
E250	114-388011-1	SOLENOID-RH BRAKE BYPASS	132	1
F141	ACH-20	LIMITER-ANTI-SKID POWER	683	1
P1016	MS3456L10SL-4S	PLUG	132	1
P1017	MS3456L10SL-4S	PLUG	132	1
P909	MS3476L14-12S	PLUG	131	1
P928	MS3456L10SL-4S	PLUG-3-WAY VALVE	131	1
TB102	MS27212-2-15	TERMINAL BOARD	547	1

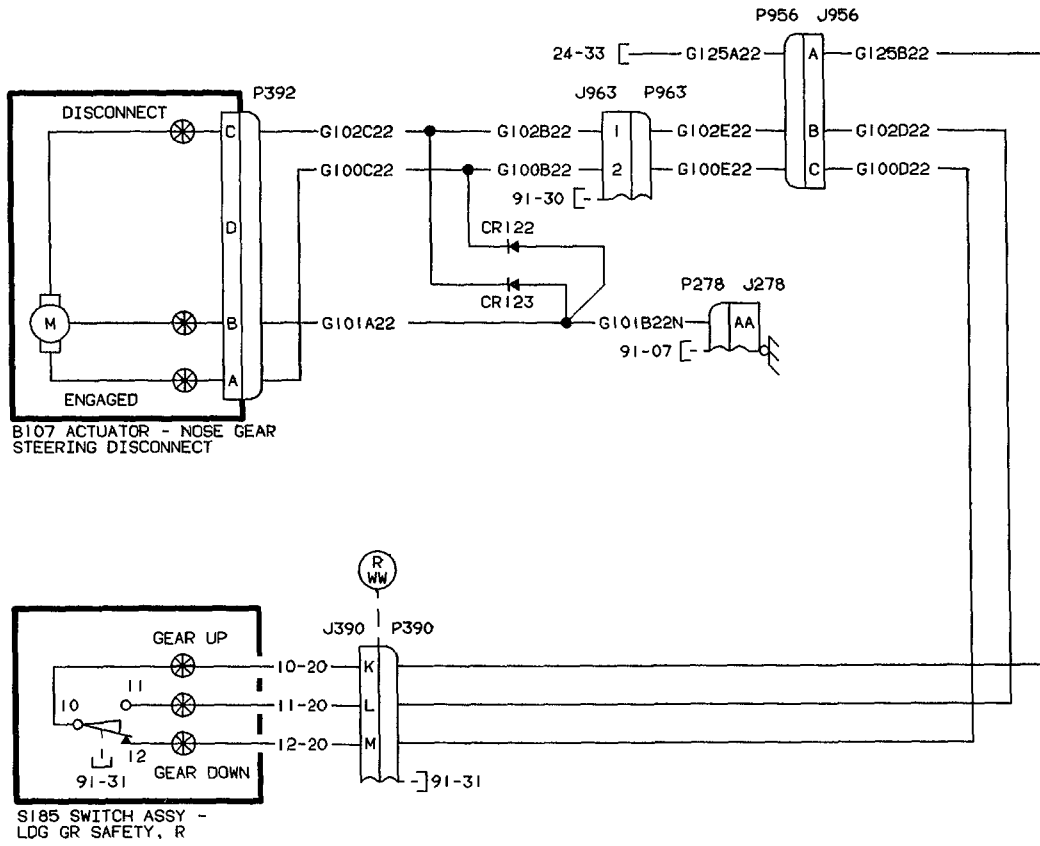
**EFFECTIVITY CODE**

1. NC-5 & AFTER

**Beechcraft**  
**STARSHIP 1**  
**WIRING DIAGRAM MANUAL**

**32-51-00**

# Beechcraft STARSHIP 1 WIRING DIAGRAM MANUAL



## STEERING-NOSE GEAR DISCONNECT

**Beechcraft**  
**STARSHIP 1**  
**WIRING DIAGRAM MANUAL**

REFERENCE DESIGNATOR	PART NUMBER	DESCRIPTION	USABLE	
			INSTL	ON ZONE CODE
32-51-00				
B107	122-380034-3	ACTUATOR-DISCONNECT NOSE GR STEERING		141
CR122	1N4007	DIODE		141
CR123	1N4007	DIODE		141
J956	MS3471L8-33P	RCPT		730
P392	MS3116F8-4S	PLUG		141
P956	MS3476L8-33S	PLUG		730
S185	444EN49-6	SW ASSY-RIGHT LDG GR SAFETY		730

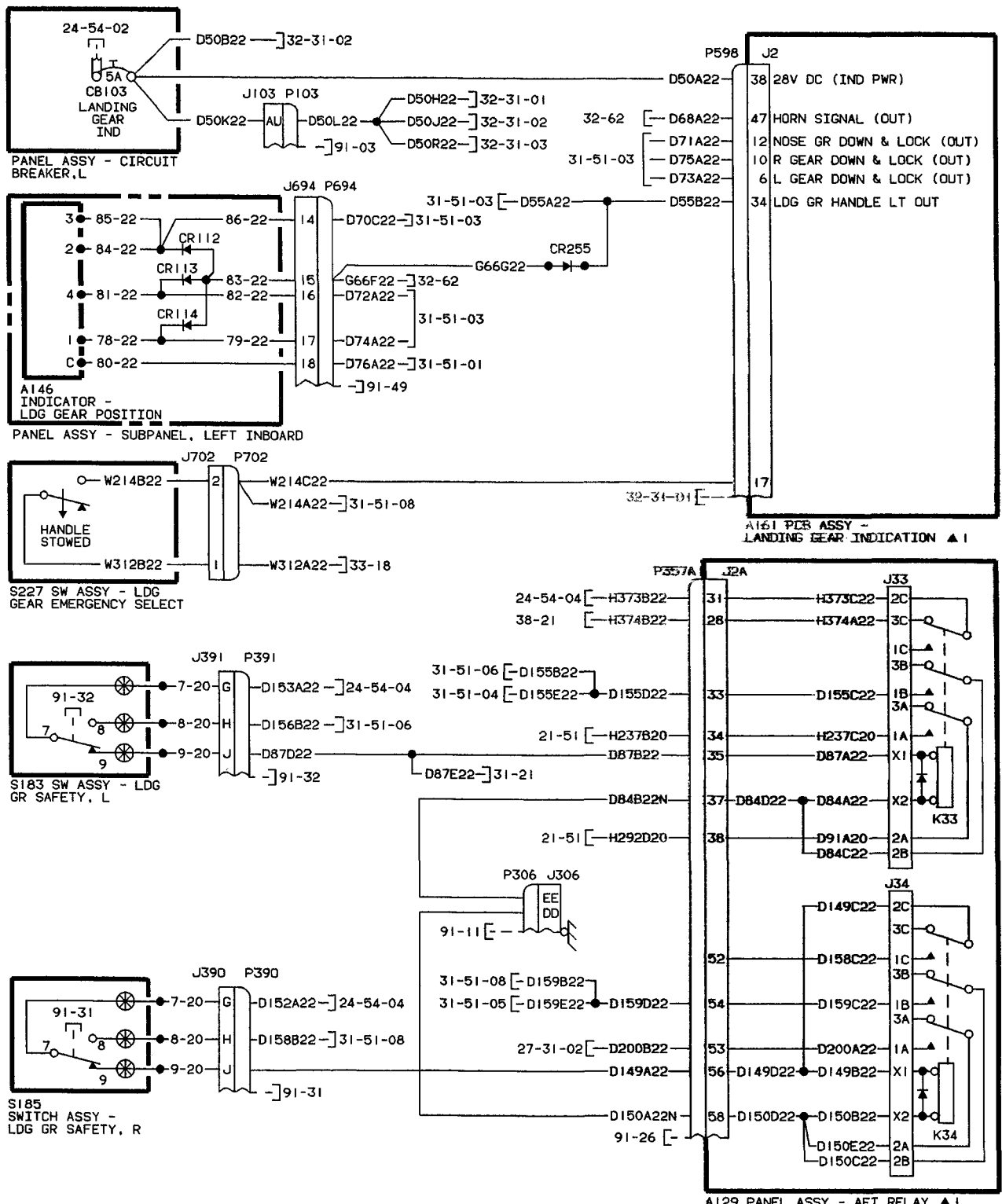
**EFFECTIVITY CODE**

**Beechcraft**  
**STARSHIP 1**  
**WIRING DIAGRAM MANUAL**

**32-61-00**



# Beechcraft STARSHIP 1 WIRING DIAGRAM MANUAL



**POSITION & WARNING-HYDRAULIC GEAR**

**Beechcraft**  
**STARSHIP 1**  
**WIRING DIAGRAM MANUAL**

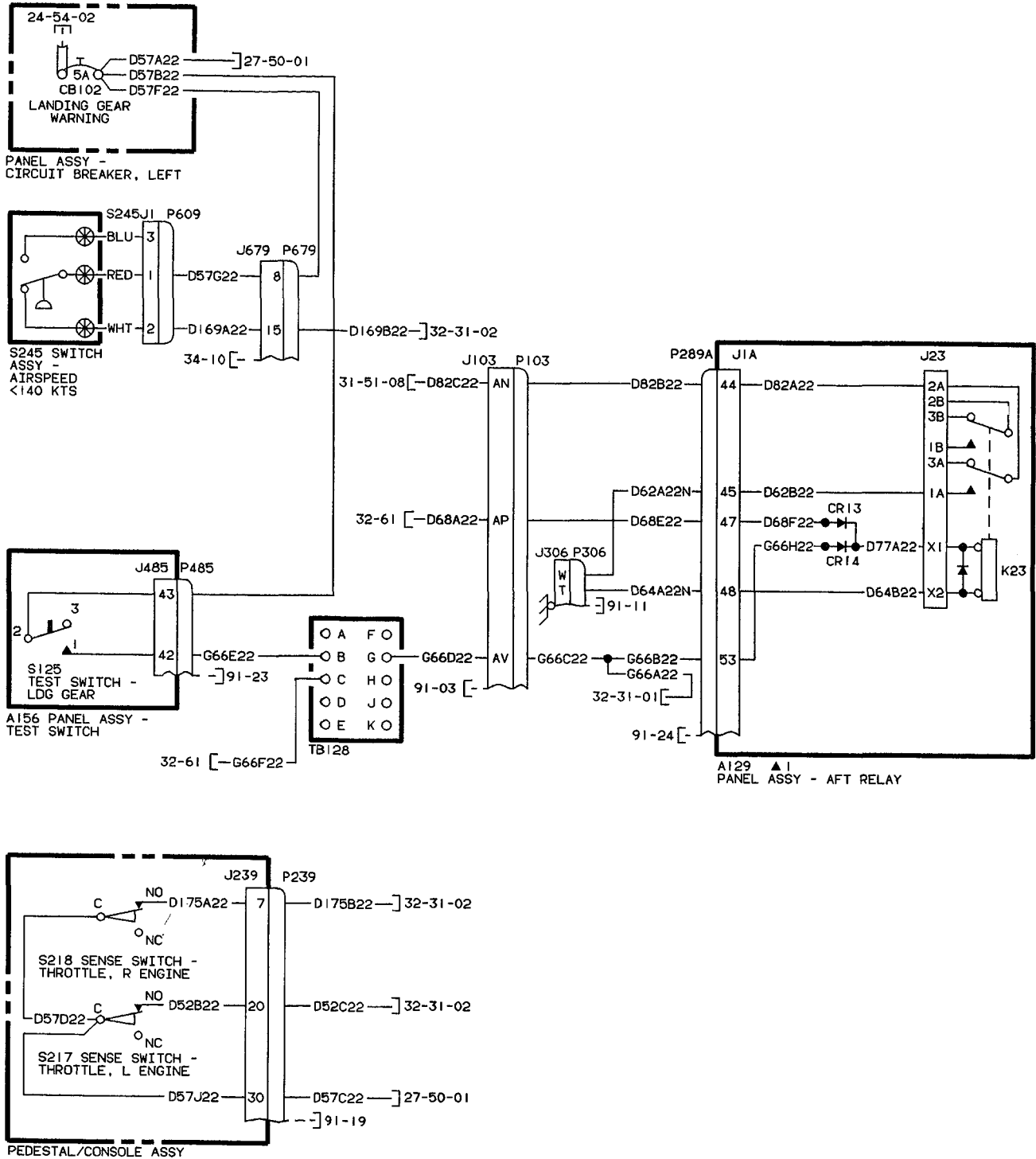
REFERENCE DESIGNATOR	PART NUMBER	DESCRIPTION	USABLE INSTL ON ZONE CODE
32-61-00			
A129J33	451116-162	RCPT-RELAY	320
A129J34	451116-162	RCPT-RELAY	320
A129K33	MS27743-18	RELAY	320
A129K34	MS27743-18	RELAY	320
A146	122-382034-11	IND-LANDING GEAR POSITION	233
A161	122-364028-21	PCB ASSY-LDG GEAR INDICATION	237
CB103	131984-5	CB-LANDING GEAR INDICATOR	236
CR112	1N4007	DIODE	233
CR113	1N4007	DIODE	233
CR114	1N4007	DIODE	233
CR255	1N4007	DIODE	237
J702	1-480699-0	RCPT	143
P598	130106DSM-50S	PLUG-LDG GR INDICATION PCB	237
P702	1-480698-0	PLUG	143
S183	444EN49-6	SW ASSY-LEFT LDG GR SAFETY	720
S185	444EN49-6	SW ASSY-RIGHT LDG GR SAFETY	730
S227	10-332001	SW ASSY-LDG GR EMERGENCY SELECT	143

**EFFECTIVITY CODE**

**Beechcraft**  
**STARSHIP 1**  
**WIRING DIAGRAM MANUAL**

**32-62-00**

# Beechcraft STARSHIP 1 WIRING DIAGRAM MANUAL



**POSITION & WARNING-LANDING GEAR WARNING**

**Beechcraft**  
**STARSHIP 1**  
**WIRING DIAGRAM MANUAL**

REFERENCE DESIGNATOR	PART NUMBER	DESCRIPTION	USABLE INSTL ON ZONE CODE
32-62-00			
A129CR13	1N4007	DIODE	320
A129CR14	1N4007	DIODE	320
A129J23	451120-051	RCPT-RELAY	320
A129K23	M6106/27-023	RELAY	320
CB102	131984-5	CB-LDG GR WARNING HORN	236
J679	206151-2	RCPT-FWD HORN BREAK	142
P609	1-480700-0	PLUG-AIRSPD SW	214
P679	206150-1	PLUG-FWD HORN BREAK	142
S125	MB2011SW06BK	SW-LDG GR TEST	244
S217	11SM3-S	SW,SENSOR-LEFT THROTTLE ENGINE	239
S218	11SM3-S	SW,SENSOR-RIGHT THROTTLE ENGINE	239
S245	101-384111-3	SW ASSY-AIRSPD	214
S245J1	1-480701-0	RCPT	214
TB128	MRTB20E04	TERMINAL JUNCTION	239

**EFFECTIVITY CODE**

**Beechcraft**  
**STARSHIP 1**  
**WIRING DIAGRAM MANUAL**  
*LIST OF PAGES & TABLE OF CONTENTS*  
*for*  
**CHAPTER 33 - LIGHTS**

<b>SYS/SUB-SYS/ CHAP SECTION</b>	<b>PAGE NO.</b>	<b>EFFECTIVE DATE</b>	<b>TABLE OF CONTENTS</b>
<b>33-10-01</b>	Page 1	02/25/94	FLIGHT COMPARTMENT-OVERHEAD CONTROL, POTENTIOMETER
	Page 2	02/25/94	
	Page 3	02/25/94	
<b>33-10-02</b>	Page 1	02/25/94	FLIGHT COMPARTMENT-OVERHEAD CONTROL, COCKPIT INSTRUMENTS
	Page 2	02/25/94	
	Page 3	02/25/94	
<b>33-10-03 (Config 1)</b>	Page 1	02/25/94	FLIGHT COMPARTMENT-OVERHEAD CONTROL, SWITCHING
	Page 2	02/25/94	
	Page 3	02/25/94	
<b>33-10-03 (Config 2)</b>	Page 1	02/25/94	FLIGHT COMPARTMENT-OVERHEAD CONTROL, SWITCHING
	Page 2	02/25/94	
	Page 3	02/25/94	
<b>33-10-04</b>	Page 1	02/25/94	FLIGHT COMPARTMENT-OVERHEAD CONTROL, EXTERNAL
	Page 2	02/25/94	
	Page 3	02/25/94	
<b>33-10-05</b>	Page 1	02/25/94	FLIGHT COMPARTMENT-OVERHEAD CONTROL, DIMMING
	Page 2	02/25/94	
	Page 3	02/25/94	
<b>33-10-06</b>	Page 1	02/25/94	FLIGHT COMPARTMENT-OVERHEAD CONTROL, SWITCHING
	Page 2	02/25/94	
	Page 3	02/25/94	
<b>33-12-00</b>	Page 1	02/25/94	FLIGHT COMPARTMENT-INSTRUMENT INDIRECT LIGHTING
	Page 2	02/25/94	
	Page 3	02/25/94	
<b>33-13-00</b>	Page 1	02/25/94	FLIGHT COMPARTMENT-COCKPIT AREA LIGHTS
	Page 2	02/25/94	
	Page 3	02/25/94	
<b>33-14-00</b>	Page 1	02/25/94	FLIGHT COMPARTMENT-COCKPIT LAP LIGHTS
	Page 2	02/25/94	
	Page 3	02/25/94	
<b>33-15-00</b>	Page 1	02/25/94	FLIGHT COMPARTMENT-OVERHEAD, SUBPANEL & CONSOLE LIGHTS
	Page 2	02/25/94	
	Page 3	02/25/94	
	Page 4	02/25/94	
	Page 5	02/25/94	
<b>33-16-00</b>	Page 1	02/25/94	FLIGHT COMPARTMENT-STORM LIGHTS (OPTIONAL)
	Page 2	02/25/94	
	Page 3	02/25/94	
<b>33-17-01</b>	Page 1	02/25/94	PASSENGER COMPARTMENT-CABIN & DOOR LIGHTING
	Page 2	02/25/94	
	Page 3	02/25/94	
<b>33-17-02</b>	Page 1	02/25/94	PASSENGER COMPARTMENT-CABIN LIGHTING
	Page 2	02/25/94	
	Page 3	02/25/94	
<b>33-17-03</b>	Page 1	02/25/94	PASSENGER COMPARTMENT-CABIN LIGHTING
	Page 2	02/25/94	
	Page 3	02/25/94	

**Beechcraft**  
**STARSHIP 1**  
**WIRING DIAGRAM MANUAL**  
*LIST OF PAGES & TABLE OF CONTENTS*  
*for*  
**CHAPTER 33 - LIGHTS (Continued)**

<b>SYS/SUB-SYS/ CHAP SECTION</b>	<b>PAGE NO.</b>	<b>EFFECTIVE DATE</b>	<b>TABLE OF CONTENTS</b>
<b>33-17-04</b>	Page 1	02/25/94	PASSENGER COMPARTMENT-CABIN LIGHTING
	Page 2	02/25/94	
	Page 3	02/25/94	
<b>33-17-05</b>	Page 1	02/25/94	PASSENGER COMPARTMENT-CABIN LIGHTING
	Page 2	02/25/94	
	Page 3	02/25/94	
<b>33-17-06</b>	Page 1	02/25/94	PASSENGER COMPARTMENT-CABIN LIGHTING
	Page 2	02/25/94	
	Page 3	02/25/94	
<b>33-17-07</b>	Page 1	02/25/94	PASSENGER COMPARTMENT-CABIN LIGHTING
	Page 2	02/25/94	
	Page 3	02/25/94	
	Page 4	02/25/94	
	Page 5	02/25/94	
<b>33-17-08</b>	Page 1	02/25/94	PASSENGER COMPARTMENT-CABIN LIGHTING
	Page 2	02/25/94	
	Page 3	02/25/94	
	Page 4	02/25/94	
	Page 5	02/25/94	
	Page 6	02/25/94	
	Page 7	02/25/94	
<b>33-17-09</b>	Page 1	02/25/94	PASSENGER COMPARTMENT-CABIN LIGHTING
	Page 2	02/25/94	
	Page 3	02/25/94	
<b>33-17-10</b>	Page 1	02/25/94	PASSENGER COMPARTMENT-CABIN LIGHTING
	Page 2	02/25/94	
	Page 3	02/25/94	
<b>33-17-11</b>	Page 1	02/25/94	PASSENGER COMPARTMENT-CABIN LIGHTING
	Page 2	02/25/94	
	Page 3	02/25/94	
	Page 4	02/25/94	
	Page 5	02/25/94	
<b>33-17-12</b>	Page 1	02/25/94	PASSENGER COMPARTMENT-CABIN LIGHTING
	Page 2	02/25/94	
	Page 3	02/25/94	
	Page 4	02/25/94	
	Page 5	02/25/94	
<b>33-17-13</b>	Page 1	02/25/94	PASSENGER COMPARTMENT-CABIN LIGHTING
	Page 2	02/25/94	
	Page 3	02/25/94	
<b>33-17-14</b>	Page 1	02/25/94	PASSENGER COMPARTMENT-CABIN LIGHTING
	Page 2	02/25/94	
	Page 3	02/25/94	
	Page 4	02/25/94	
	Page 5	02/25/94	
<b>33-17-15</b>	Page 1	02/25/94	PASSENGER COMPARTMENT-CABIN & DOOR LIGHTING
	Page 2	02/25/94	
	Page 3	02/25/94	
<b>33-18-00</b>	Page 1	02/25/94	PASSENGER COMPARTMENT-BAGGAGE & TOILET LIGHTING
	Page 2	02/25/94	
	Page 3	02/25/94	

**Beechcraft**  
**STARSHIP 1**  
**WIRING DIAGRAM MANUAL**  
*LIST OF PAGES & TABLE OF CONTENTS*  
*for*  
**CHAPTER 33 - LIGHTS (Continued)**

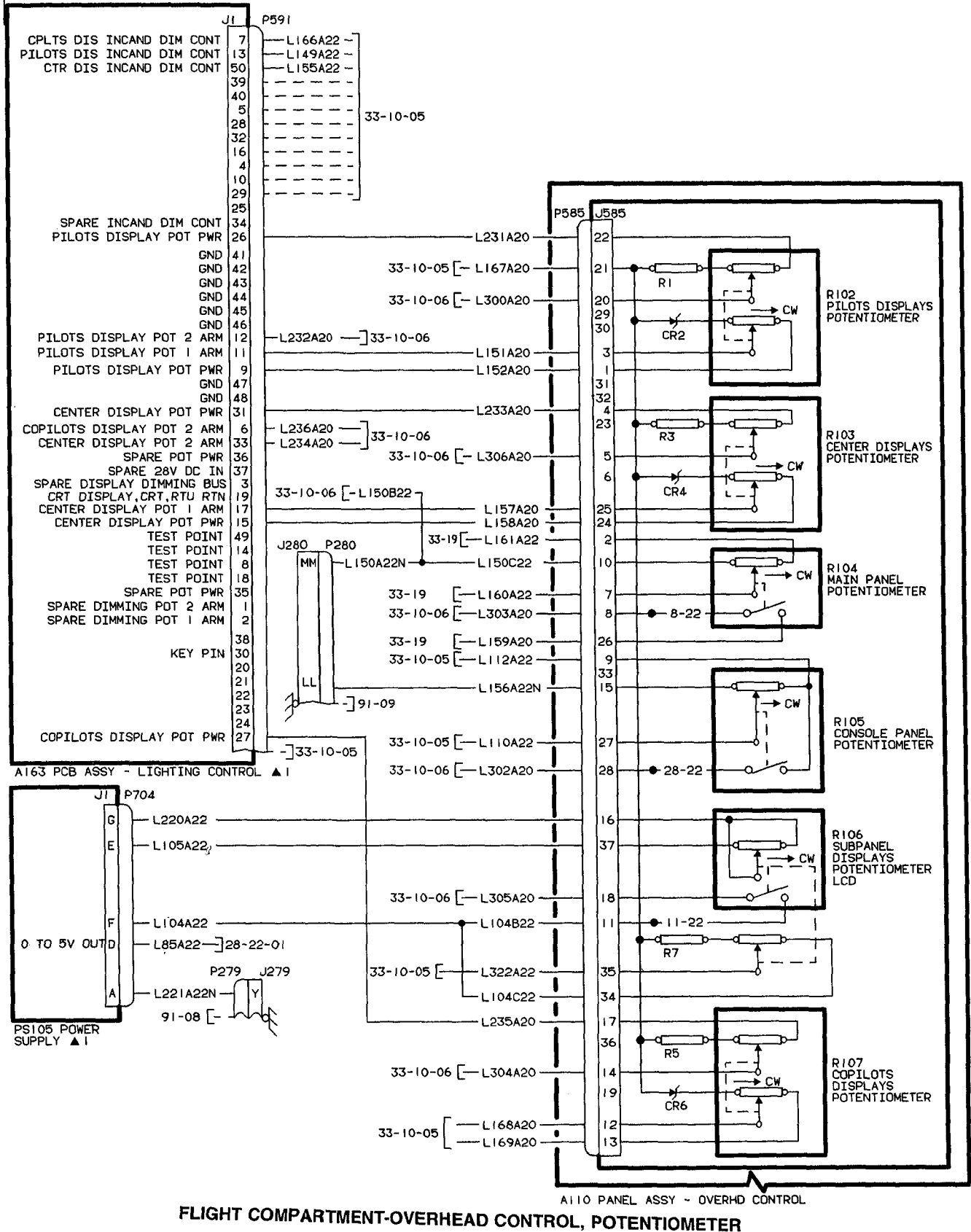
<b>SYS/SUB-SYS/ CHAP SECTION</b>	<b>PAGE NO.</b>	<b>EFFECTIVE DATE</b>	<b>TABLE OF CONTENTS</b>
<b>33-18-01</b>	Page 1	02/25/94	PASSENGER COMPARTMENT-BAGGAGE & TOILET LIGHTING
	Page 2	02/25/94	
	Page 3	02/25/94	
<b>33-19-00</b>	Page 1	02/25/94	FLIGHT COMPARTMENT-INSTRUMENT LIGHTING
	Page 2	02/25/94	
	Page 3	02/25/94	
<b>33-21-00</b>	Page 1	02/25/94	PASSENGER COMPARTMENT-WINDOW SHADING
	Page 2	02/25/94	
	Page 3	02/25/94	
	Page 4	02/25/94	
	Page 5	02/25/94	
<b>33-22-01 (Config 1)</b>	Page 1	02/25/94	PASSENGER COMPARTMENT-NO SMOKING & FASTEN SEAT BELT SIGNS
	Page 2	02/25/94	
	Page 3	02/25/94	
	Page 4	02/25/94	
	Page 5	02/25/94	
<b>33-22-01 (Config 2)</b>	Page 1	02/25/94	PASSENGER COMPARTMENT-NO SMOKING & FASTEN SEAT BELT SIGNS
	Page 2	02/25/94	
	Page 3	02/25/94	
	Page 4	02/25/94	
	Page 5	02/25/94	
<b>33-23-00</b>	Page 1	02/25/94	PASSENGER COMPARTMENT-AIRSTAIR DOOR WARNING
	Page 2	02/25/94	
	Page 3	02/25/94	
<b>33-42-00</b>	Page 1	02/25/94	EXTERIOR-NAVIGATION LIGHTS
	Page 2	02/25/94	
	Page 3	02/25/94	
<b>33-43-00</b>	Page 1	02/25/94	EXTERIOR-HIGH INTENSITY LIGHTS
	Page 2	02/25/94	
	Page 3	02/25/94	
<b>33-44-00</b>	Page 1	02/25/94	EXTERIOR-LANDING & TAXI LIGHTS
	Page 2	02/25/94	
	Page 3	02/25/94	
<b>33-46-00</b>	Page 1	02/25/94	EXTERIOR-WING LIGHTS
	Page 2	02/25/94	
	Page 3	02/25/94	



**Beechcraft**  
**STARSHIP 1**  
**WIRING DIAGRAM MANUAL**

**33-10-01**

# Beechcraft STARSHIP 1 WIRING DIAGRAM MANUAL



**FLIGHT COMPARTMENT-OVERHEAD CONTROL, POTENTIOMETER**

**Beechcraft**  
**STARSHIP 1**  
**WIRING DIAGRAM MANUAL**

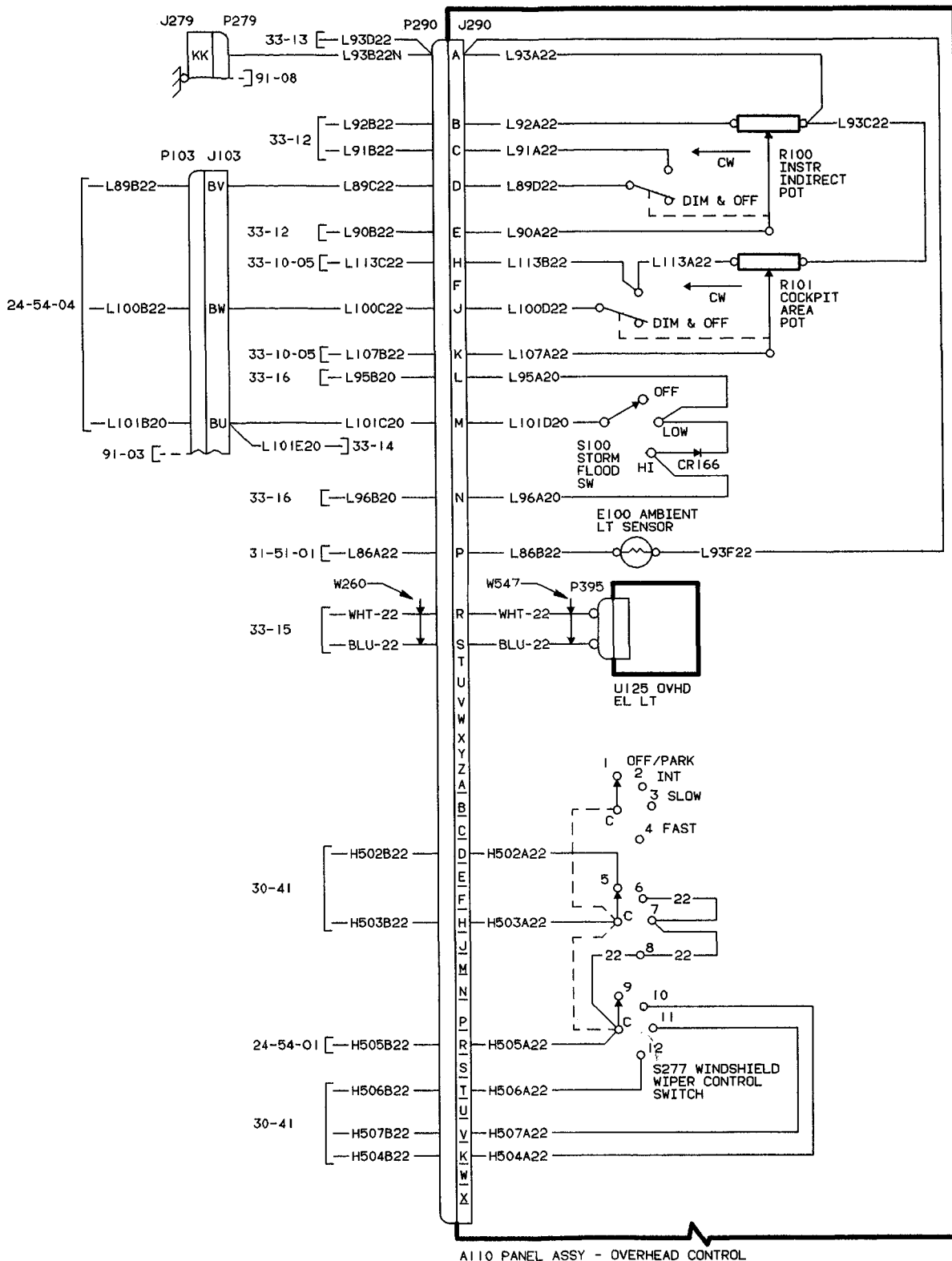
REFERENCE DESIGNATOR	PART NUMBER	DESCRIPTION	USABLE INSTL ON ZONE CODE
33-10-01			
A110	122-322094-3	PANEL ASSY-OVERHEAD CONTROL	253
A110CR2	1N4731A	DIODE	253
A110CR4	1N4731A	DIODE	253
A110CR6	1N4731A	DIODE	253
A110R1	RNC55H4751FS	RESISTOR	253
A110R3	RNC55H4751FS	RESISTOR	253
A110R5	RNC55H4751FS	RESISTOR	253
A110R7	RNC55H4751FS	RESISTOR	253
A163	122-364176-1	PCB ASSY-LIGHTING CONTROL	237
A163J1	DDM50PD	RCPT	237
J585	207829-3	RCPT	253
PS105	101-380012-7	POWER SUPPLY	235
P585	205210-1	PLUG	253
P591	130106DSM-50S	PLUG	237
P704	MS3456L16-1S	PLUG-POWER SUPPLY	235
R102	122-382083-1	POTENTIOMETER-PILOT DISPLAY	253
R103	122-382083-1	POTENTIOMETER-CENTER DISPLAY	253
R104	122-382083-3	POTENTIOMETER-MAIN PANEL	253
R105	122-382083-3	POTENTIOMETER-CONSOLE PANEL	253
R106	122-382083-7	POTENTIOMETER-SUBPANEL DISPLAY	253
R107	122-382083-1	POTENTIOMETER-COPILOT DISPLAY	253

**EFFECTIVITY CODE**

**Beechcraft**  
**STARSHIP 1**  
**WIRING DIAGRAM MANUAL**

**33-10-02**

# Beechcraft STARSHIP 1 WIRING DIAGRAM MANUAL



## FLIGHT COMPARTMENT-OVERHEAD CONTROL, COCKPIT INSTRUMENTS

**Beechcraft**  
**STARSHIP 1**  
**WIRING DIAGRAM MANUAL**

REFERENCE DESIGNATOR	PART NUMBER	DESCRIPTION	USABLE INSTL ON ZONE CODE
33-10-02			
E100	100-364179-1	SENSOR-AMBIENT LIGHT	253
J290	201301-3	RCPT	253
P290	201302-3	PLUG	253
P395	MS90335-6	PLUG	253
R100	CM42873	POTENTIOMETER-INSTRUMENT INDIRECT	253
R101	CM42873	POTENTIOMETER-COCKPIT AREA	253
S100	122-382076-7	SW-STORM FLOOD	253
S277	122-382076-19	SW-WINDSHIELD WIPER CONTROL	253
U125	122-382058-5	LIGHT-OVERHEAD ELECTROLUMINESCENT LIGHT	253
W260	M27500-22TE2U15	CABLE-2 CNDCT	253
W547	M27500-22TE2U15	CABLE-2 CNDCT	253

**EFFECTIVITY CODE**

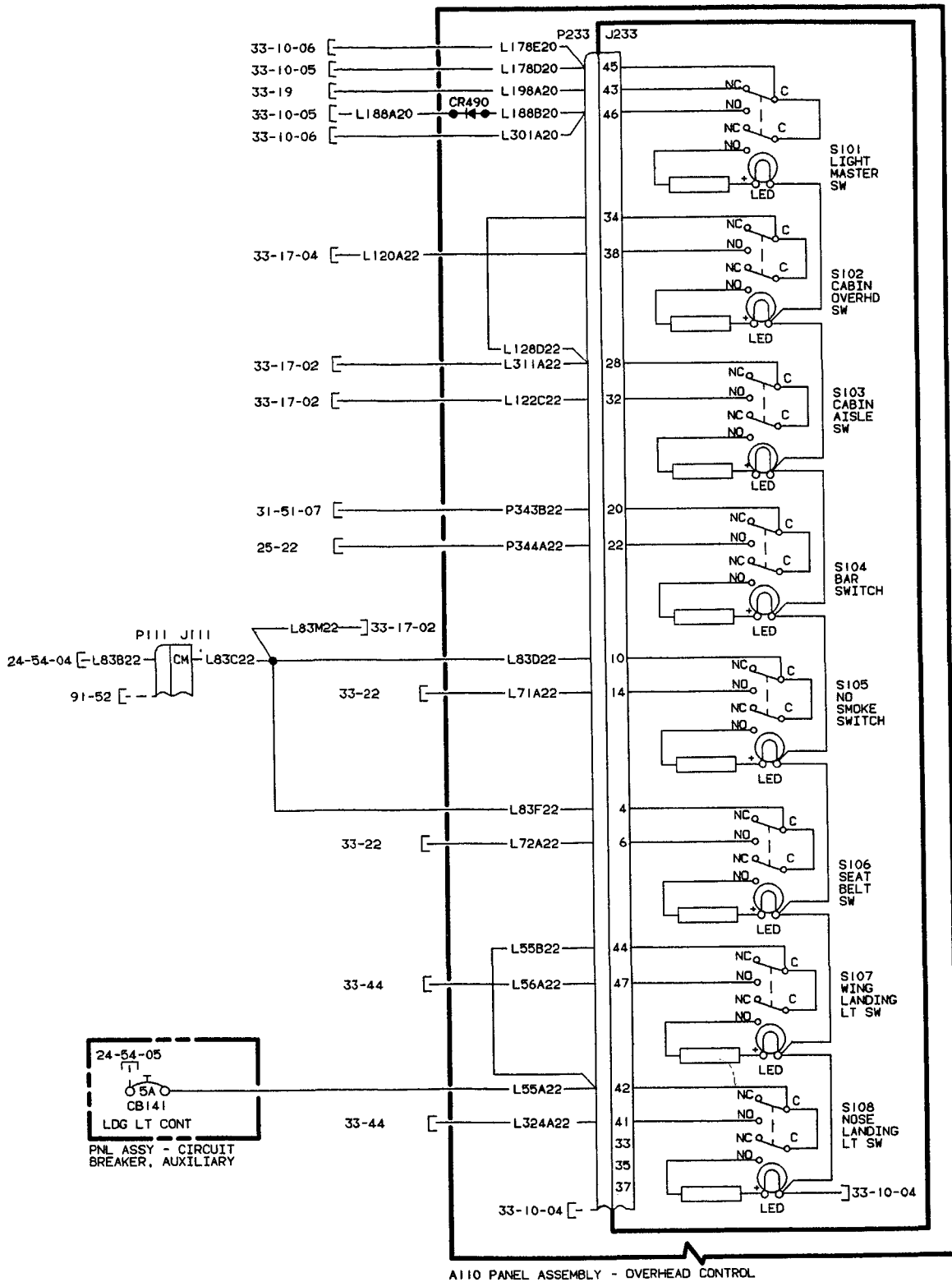
**Beechcraft**  
**STARSHIP 1**  
**WIRING DIAGRAM MANUAL**

# **33-10-03**

## **Configuration 1**

**NC-4 THRU NC-20**

# Beechcraft STARSHIP 1 WIRING DIAGRAM MANUAL



A110 PANEL ASSEMBLY - OVERHEAD CONTROL

## FLIGHT COMPARTMENT-OVERHEAD CONTROL, SWITCHING (Configuration 1 )



Beechcraft  
**STARSHIP 1**  
**WIRING DIAGRAM MANUAL**

REFERENCE DESIGNATOR	PART NUMBER	DESCRIPTION	USABLE	
			INSTL ZONE	ON CODE
<b>33-10-03</b>				
<b>(Configuration 1 )</b>				
CB141	131984-5	CB-LANDING LIGHT CONTROL	235	1
CR490	MR510	DIODE	253	1
J233	1-531580-8	RCPT	253	1
P233	3-582307-1	PLUG	253	1
S101	122-382035-1	SW ASSY-LIGHT MASTER	253	1
S102	122-382035-1	SW ASSY-CABIN OVERHEAD	253	1
S103	122-382035-1	SW ASSY-CABIN AISLE	253	1
S104	122-382035-1	SW ASSY-BAR	253	1
S105	122-382035-1	SW ASSY-NO SMOKE	253	1
S106	122-382035-1	SW ASSY-SEAT BELT	253	1
S107	122-382035-1	SW ASSY-WING LANDING LIGHT	253	1
S108	122-382035-1	SW ASSY-NOSE LANDING LIGHT	253	1

**EFFECTIVITY CODE**

1. NC-4 THRU NC-20

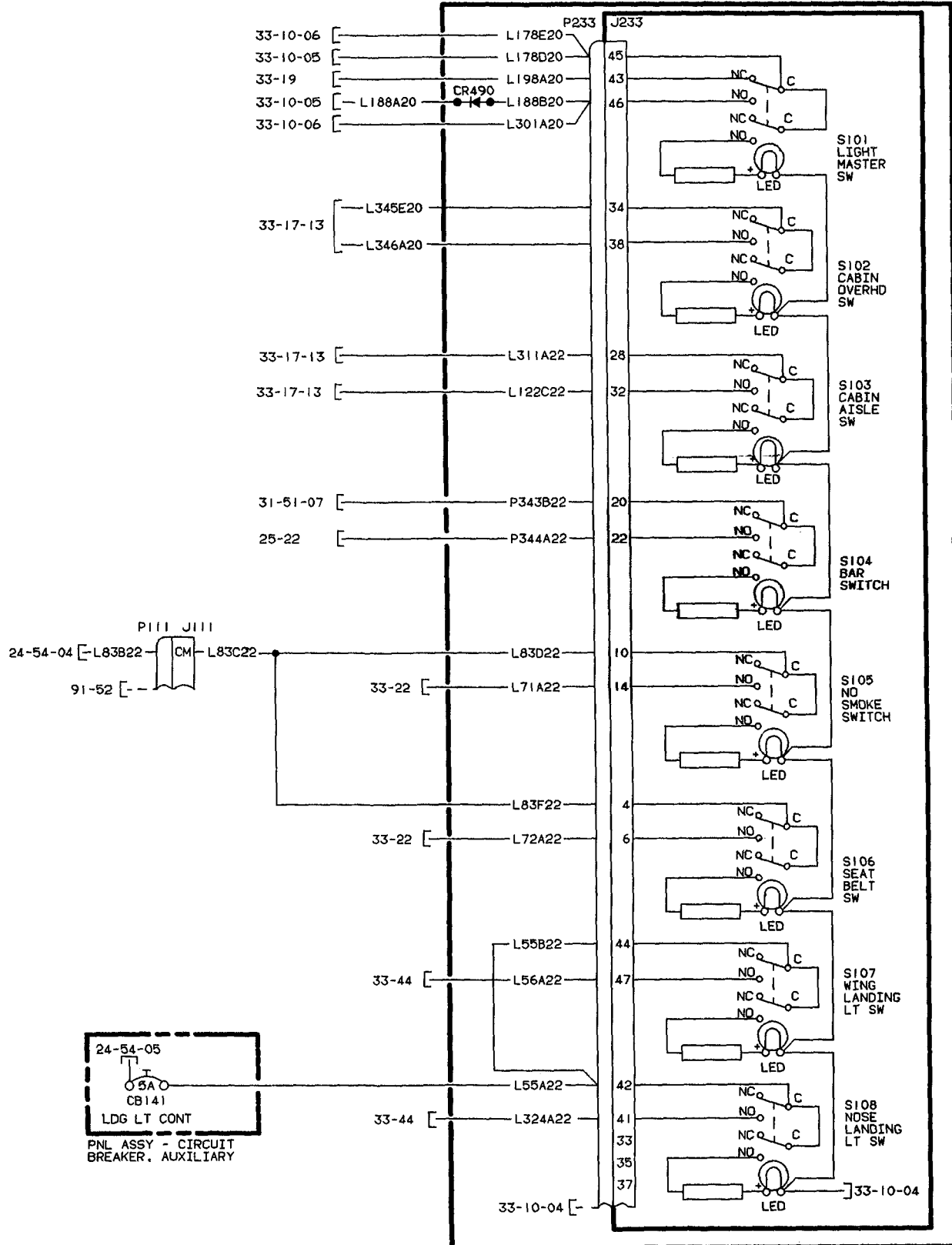
**Beechcraft**  
**STARSHIP 1**  
**WIRING DIAGRAM MANUAL**

# **33-10-03**

## **Configuration 2**

**NC-21 & AFTER**

# Beechcraft STARSHIP 1 WIRING DIAGRAM MANUAL



A110 PANEL ASSEMBLY - OVERHEAD CONTROL

## FLIGHT COMPARTMENT-OVERHEAD CONTROL, SWITCHING (Configuration 2)

**Beechcraft**  
**STARSHIP 1**  
**WIRING DIAGRAM MANUAL**

REFERENCE DESIGNATOR	PART NUMBER	DESCRIPTION	USABLE INSTL ON ZONE CODE
<b>33-10-03</b> <b>(Configuration 2 )</b>			
CB141	131984-5	CB-LANDING LIGHT CONTROL	235 1
CR490	MR510	DIODE	253 1
J233	1-531580-8	RCPT	253 1
P233	3-582307-1	PLUG	253 1
S101	122-382035-1	SW ASSY-LIGHT MASTER	253 1
S102	122-382035-1	SW ASSY-CABIN OVERHEAD	253 1
S103	122-382035-1	SW ASSY-CABIN AISLE	253 1
S104	122-382035-1	SW ASSY-BAR	253 1
S105	122-382035-1	SW ASSY-NO SMOKE	253 1
S106	122-382035-1	SW ASSY-SEAT BELT	253 1
S107	122-382035-1	SW ASSY-WING LANDING LIGHT	253 1
S108	122-382035-1	SW ASSY-NOSE LANDING LIGHT	253 1

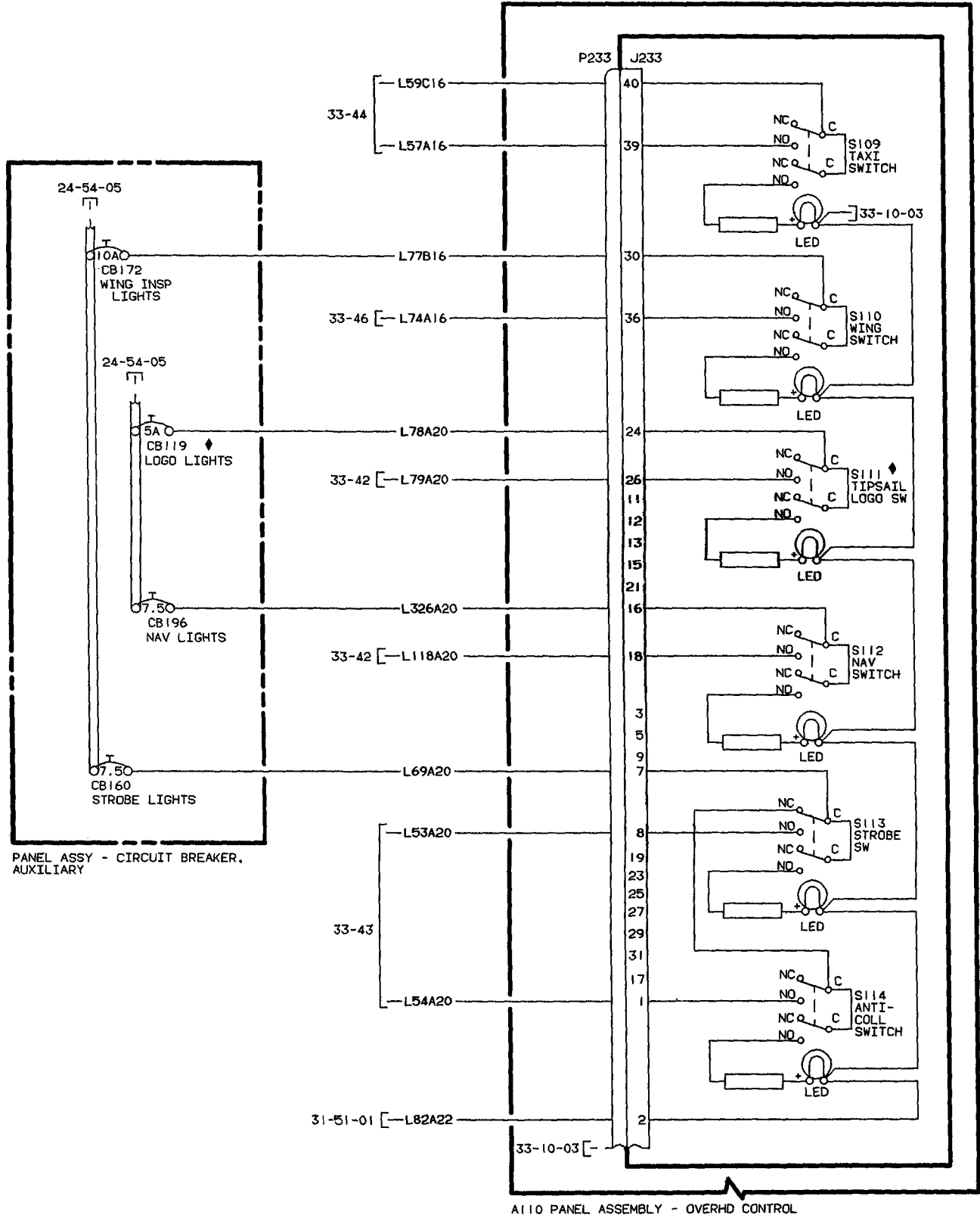
**EFFECTIVITY CODE**

1. NC-21 & AFTER

**Beechcraft**  
**STARSHIP 1**  
**WIRING DIAGRAM MANUAL**

**33-10-04**

# Beechcraft STARSHIP 1 WIRING DIAGRAM MANUAL



## FLIGHT COMPARTMENT-OVERHEAD CONTROL, EXTERNAL

◆ OPTIONAL EQUIPMENT

Beechcraft  
**STARSHIP 1**  
**WIRING DIAGRAM MANUAL**

REFERENCE DESIGNATOR	PART NUMBER	DESCRIPTION	USABLE	
			INSTL ZONE	ON CODE
33-10-04				
CB119	131984-5	CB-LOGO LIGHTS		235
CB160	131984-7	CB-STROBE LIGHTS		235
CB172	131984-10	CB-WING INSPECTION LIGHTS		235
CB196	131984-7	CB-NAVIGATION LIGHTS		235
S109	122-382035-1	SW ASSY-TAXI		253
S110	122-382035-1	SW ASSY-WING		253
S111	122-382035-1	SW ASSY-TIPSAIL LOGO		253
S112	122-382035-1	SW ASSY-NAVIGATION		253
S113	122-382035-1	SW ASSY-STROBE		253
S114	122-382035-1	SW ASSY-ANTI-COLLISION		253

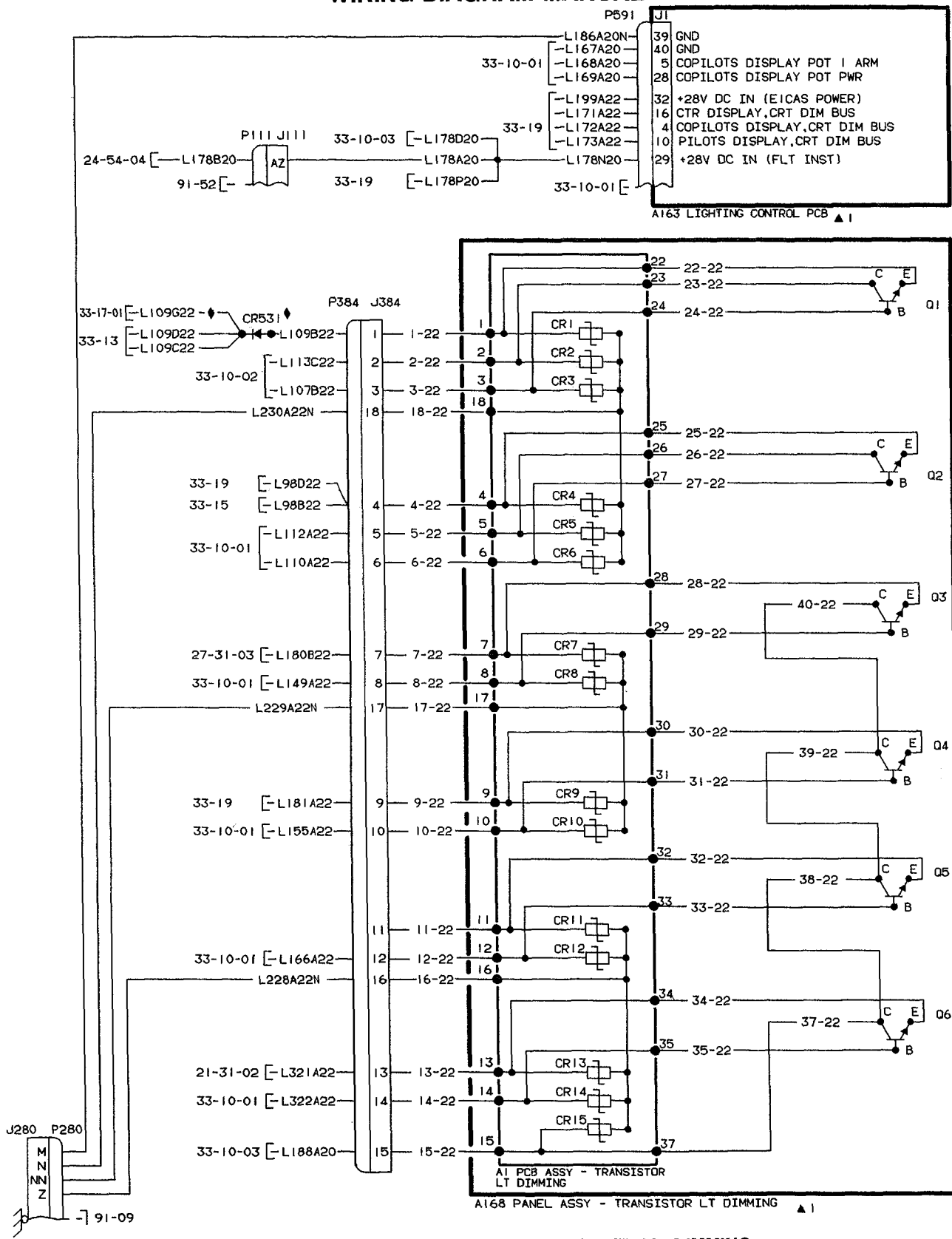
**EFFECTIVITY CODE**

**Beechcraft**  
**STARSHIP 1**  
**WIRING DIAGRAM MANUAL**

**33-10-05**



# Beechcraft STARSHIP 1 WIRING DIAGRAM MANUAL



◆ WIRE L109G22 & CR531  
ADDED ON ACFT NC-21  
& AFTER

## FLIGHT COMPARTMENT-OVERHEAD CONTROL, DIMMING

**Beechcraft**  
**STARSHIP 1**  
**WIRING DIAGRAM MANUAL**

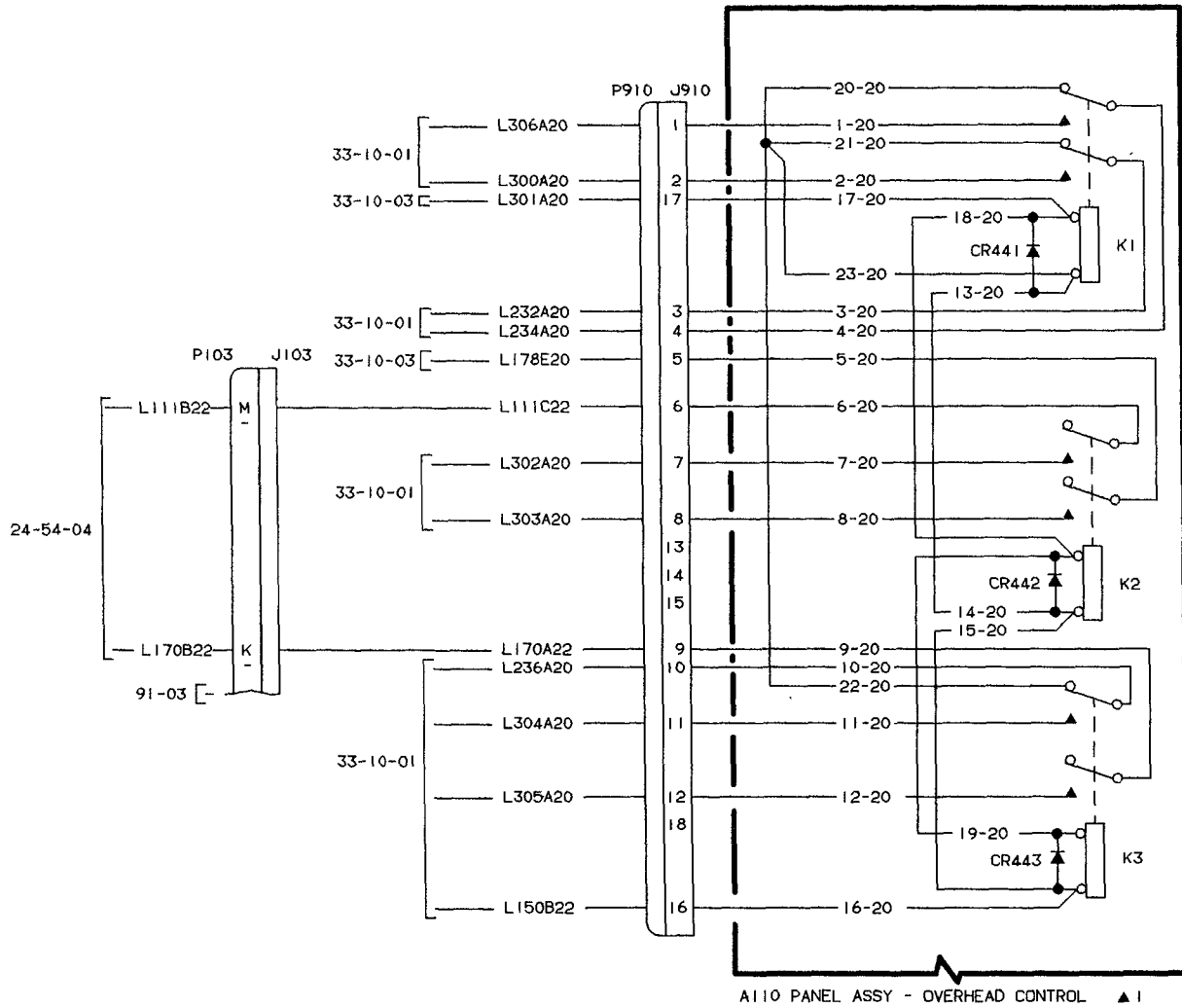
REFERENCE DESIGNATOR	PART NUMBER	DESCRIPTION	USABLE
			INSTL ON ZONE CODE
33-10-05			
A168	122-364148-3	PANEL ASSY-TRANSISTOR, LT DIM	235
A168A1	122-364149-5	PCB ASSY-TRANSISTOR LT DIM	235
A168CR1	V47ZA1	VARISTOR-METAL OXIDE	235
A168CR10	V47ZA1	VARISTOR-METAL OXIDE	235
A168CR11	V47ZA1	VARISTOR-METAL OXIDE	235
A168CR12	V47ZA1	VARISTOR-METAL OXIDE	235
A168CR13	V47ZA1	VARISTOR-METAL OXIDE	235
A168CR14	V47ZA1	VARISTOR-METAL OXIDE	235
A168CR15	V47ZA1	VARISTOR-METAL OXIDE	235
A168CR2	V47ZA1	VARISTOR-METAL OXIDE	235
A168CR3	V47ZA1	VARISTOR-METAL OXIDE	235
A168CR4	V47ZA1	VARISTOR-METAL OXIDE	235
A168CR5	V47ZA1	VARISTOR-METAL OXIDE	235
A168CR6	V47ZA1	VARISTOR-METAL OXIDE	235
A168CR7	V47ZA1	VARISTOR-METAL OXIDE	235
A168CR8	V47ZA1	VARISTOR-METAL OXIDE	235
A168CR9	V47ZA1	VARISTOR-METAL OXIDE	235
A168Q1	MJ11014	TRANSISTOR	235
A168Q2	MJ11014	TRANSISTOR	235
A168Q3	MJ11014	TRANSISTOR	235
A168Q4	MJ11014	TRANSISTOR	235
A168Q5	MJ11014	TRANSISTOR	235
A168Q6	MJ11014	TRANSISTOR	235
CR531	1N4007	DIODE	235
J384	207443-1	RCPT	235
P384	207442-1	PLUG	235

EFFECTIVITY CODE

**Beechcraft**  
**STARSHIP 1**  
**WIRING DIAGRAM MANUAL**

**33-10-06**

# Beechcraft STARSHIP 1 WIRING DIAGRAM MANUAL



## FLIGHT COMPARTMENT-OVERHEAD CONTROL, SWITCHING

**Beechcraft**  
**STARSHIP 1**  
**WIRING DIAGRAM MANUAL**

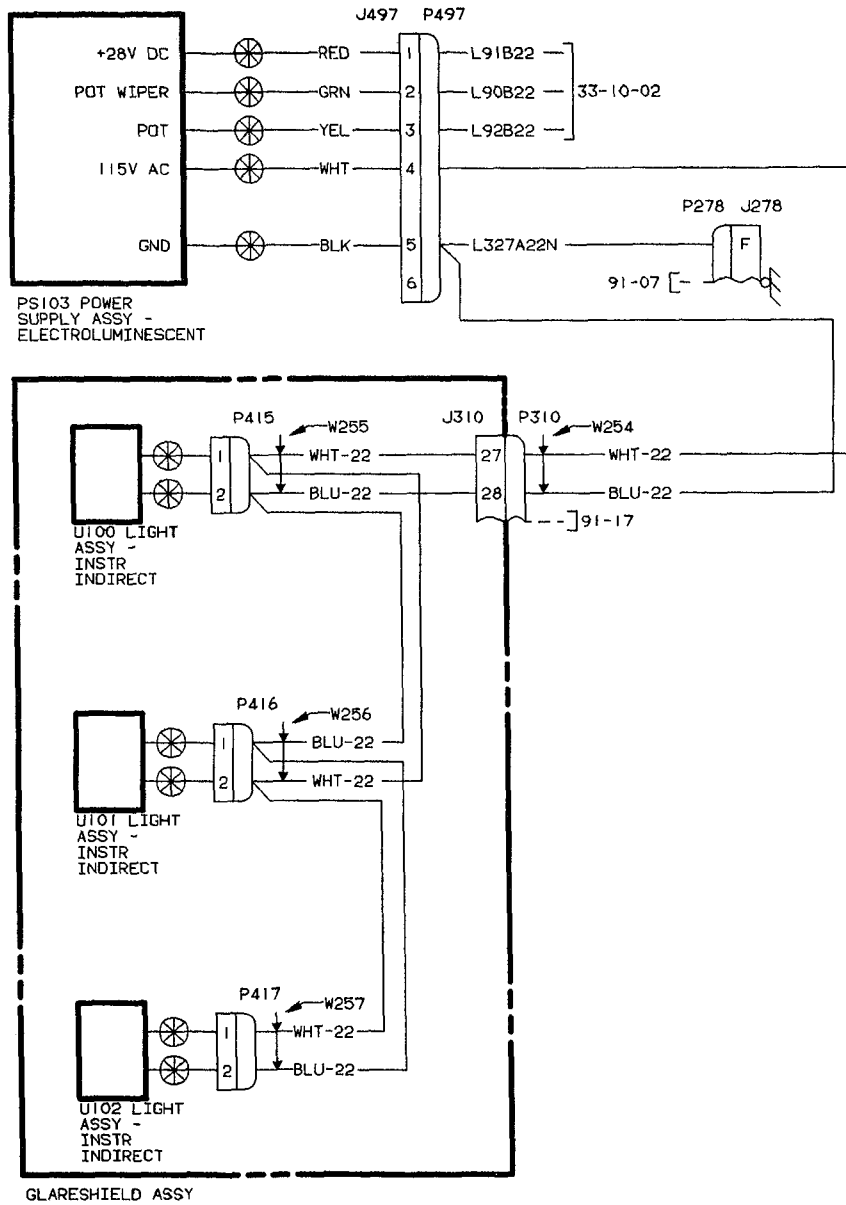
REFERENCE DESIGNATOR	PART NUMBER	DESCRIPTION	USABLE	
			INSTL	ON ZONE CODE
33-10-06				
A110K1	50-380048-1	RELAY		253
A110K2	50-380048-1	RELAY		253
A110K3	50-380048-1	RELAY		253
CR441	1N4007	DIODE		253
CR442	1N4007	DIODE		253
CR443	1N4007	DIODE		253
J910	207443-1	RCPT		253
P910	207442-1	PLUG		253

**EFFECTIVITY CODE**

**Beechcraft**  
**STARSHIP 1**  
**WIRING DIAGRAM MANUAL**

**33-12-00**

# Beechcraft STARSHIP 1 WIRING DIAGRAM MANUAL



## FLIGHT COMPARTMENT-INSTRUMENT INDIRECT LIGHTING

Beechcraft  
**STARSHIP 1**  
**WIRING DIAGRAM MANUAL**

REFERENCE DESIGNATOR	PART NUMBER	DESCRIPTION	USABLE	
			INSTL	ON ZONE CODE
<b>33-12-00</b>				
J497	207153-1	RCPT		143
PS103	122-364190-1	POWER SUPPLY-ELECTROLUMINESCENT		143
P415	1-480698-0	PLUG		257
P416	1-480698-0	PLUG		257
P417	1-480698-0	PLUG		257
P497	207152-1	PLUG		143
U100	122-382086-1	LT ASSY-INSTRUMENT INDIRECT		257
U101	122-382086-1	LT ASSY-INSTRUMENT INDIRECT		257
U102	122-382086-1	LT ASSY-INSTRUMENT INDIRECT		257
W254	M27500-22TE2U15	CABLE-2 CNDCT		257
W255	M27500-22TE2U15	CABLE-2 CNDCT		257
W256	M27500-22TE2U15	CABLE-2 CNDCT		257
W257	M27500-22TE2U15	CABLE-2 CNDCT		257

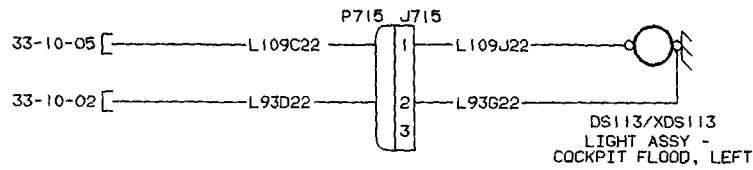
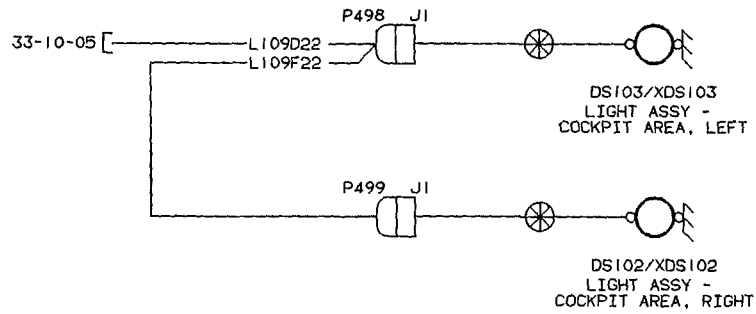
**EFFECTIVITY CODE**



Beechcraft  
STARSHIP 1  
WIRING DIAGRAM MANUAL

**33-13-00**

# Beechcraft STARSHIP 1 WIRING DIAGRAM MANUAL



## FLIGHT COMPARTMENT-COCKPIT AREA LIGHTS

Beechcraft  
**STARSHIP 1**  
**WIRING DIAGRAM MANUAL**

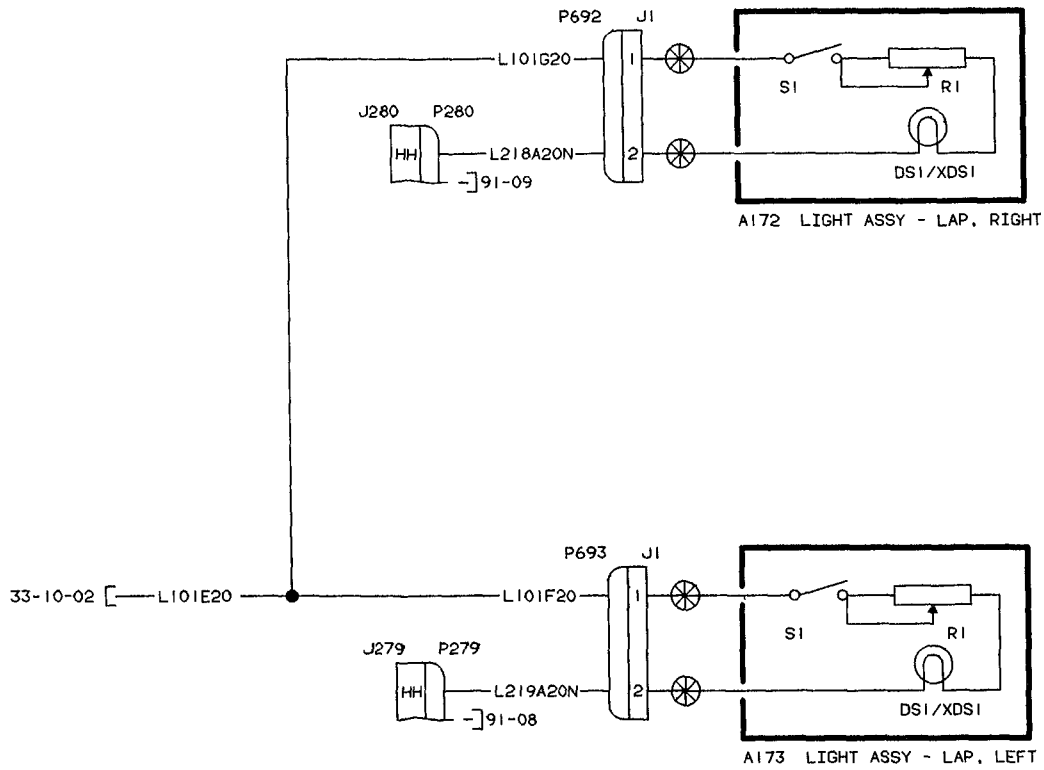
REFERENCE DESIGNATOR	PART NUMBER	DESCRIPTION	USABLE INSTL ON ZONE CODE
33-13-00			
DS102	MS25069-1495	LAMP-RIGHT COCKPIT AREA	244
DS103	MS25069-1495	LAMP-LEFT COCKPIT AREA	234
DS113	1308	LAMP	253
J715	207359-1	RCPT	253
P498	1-480349-0	PLUG	234
P499	1-480349-0	PLUG	244
P715	207360-1	PLUG	253
XDS102	STD986-2	LIGHT ASSY-RIGHT COCKPIT AREA	244
XDS102J1	1-480350-0	LIGHT RCPT-RIGHT COCKPIT AREA	244
XDS103	STD986-2	LIGHT ASSY-LEFT COCKPIT AREA	234
XDS103J1	1-480350-0	LIGHT RCPT-LEFT COCKPIT AREA	234
XDS113	3089-01	LIGHT ASSY-COCKPIT FLOOD	253

**EFFECTIVITY CODE**

**Beechcraft**  
**STARSHIP 1**  
**WIRING DIAGRAM MANUAL**

**33-14-00**

# Beechcraft STARSHIP 1 WIRING DIAGRAM MANUAL



## FLIGHT COMPARTMENT-COCKPIT LAP LIGHTS

Beechcraft  
**STARSHIP 1**  
**WIRING DIAGRAM MANUAL**

REFERENCE DESIGNATOR	PART NUMBER	DESCRIPTION	USABLE	
			INSTL ZONE	ON CODE
33-14-00				
A172	122-384077-3	LIGHT ASSY-RIGHT LAP		251
A172DS1	1495	LIGHT		251
A172J1	1-480699-0	RCPT		251
A173	122-384077-3	LIGHT ASSY-LEFT LAP		252
A173DS1	1495	LIGHT		252
A173J1	1-480699-0	RCPT		252
P692	1-480698-0	PLUG-LEFT LAP/MAP LIGHT		251
P693	1-480698-0	PLUG-RIGHT LAP/MAP LIGHT		252

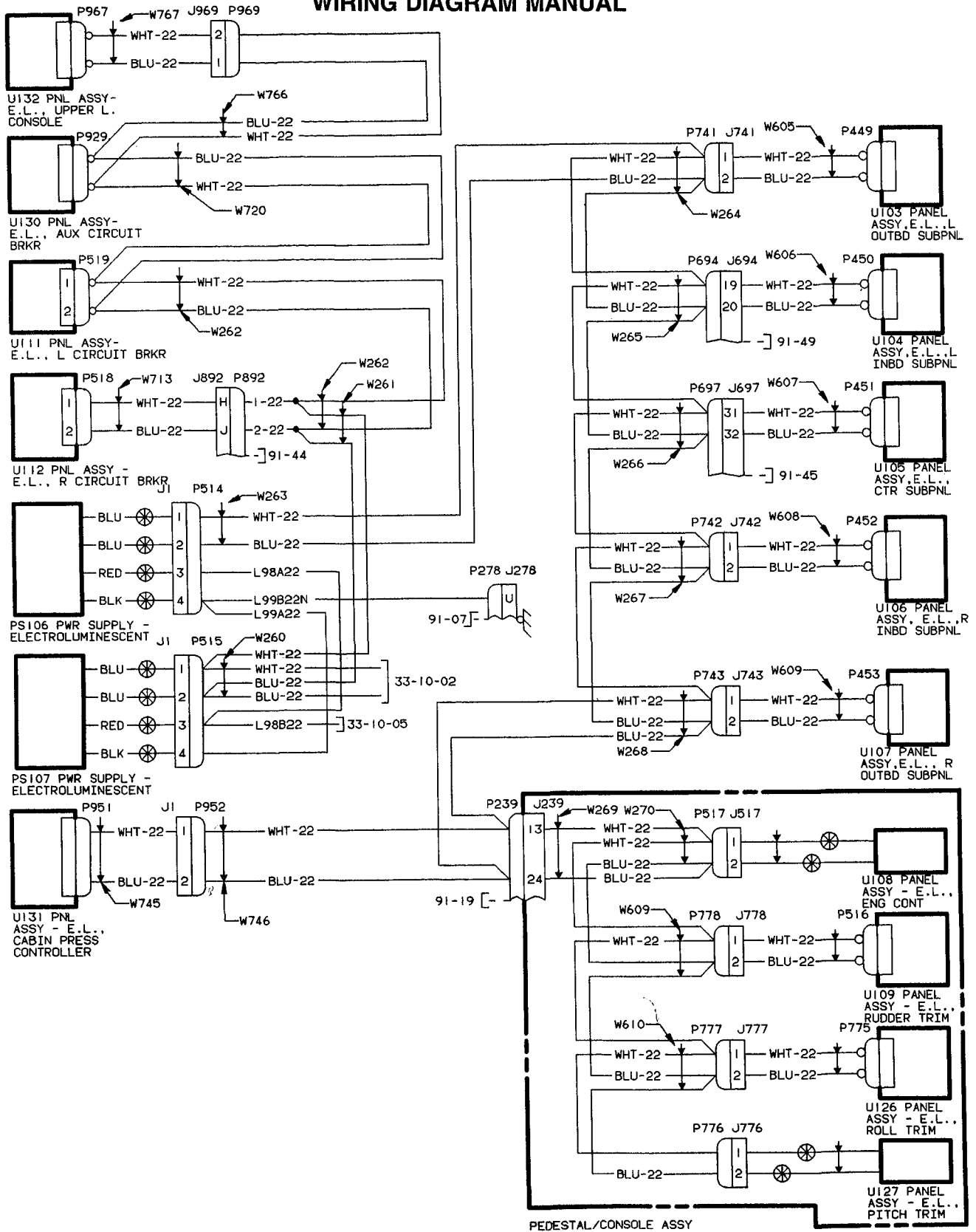
**EFFECTIVITY CODE**

**Beechcraft**  
**STARSHIP 1**  
**WIRING DIAGRAM MANUAL**

**33-15-00**

# Beechcraft STARSHIP 1

## WIRING DIAGRAM MANUAL



**FLIGHT COMPARTMENT-OVERHEAD, SUBPANEL & CONSOLE LIGHTS**



# Beechcraft

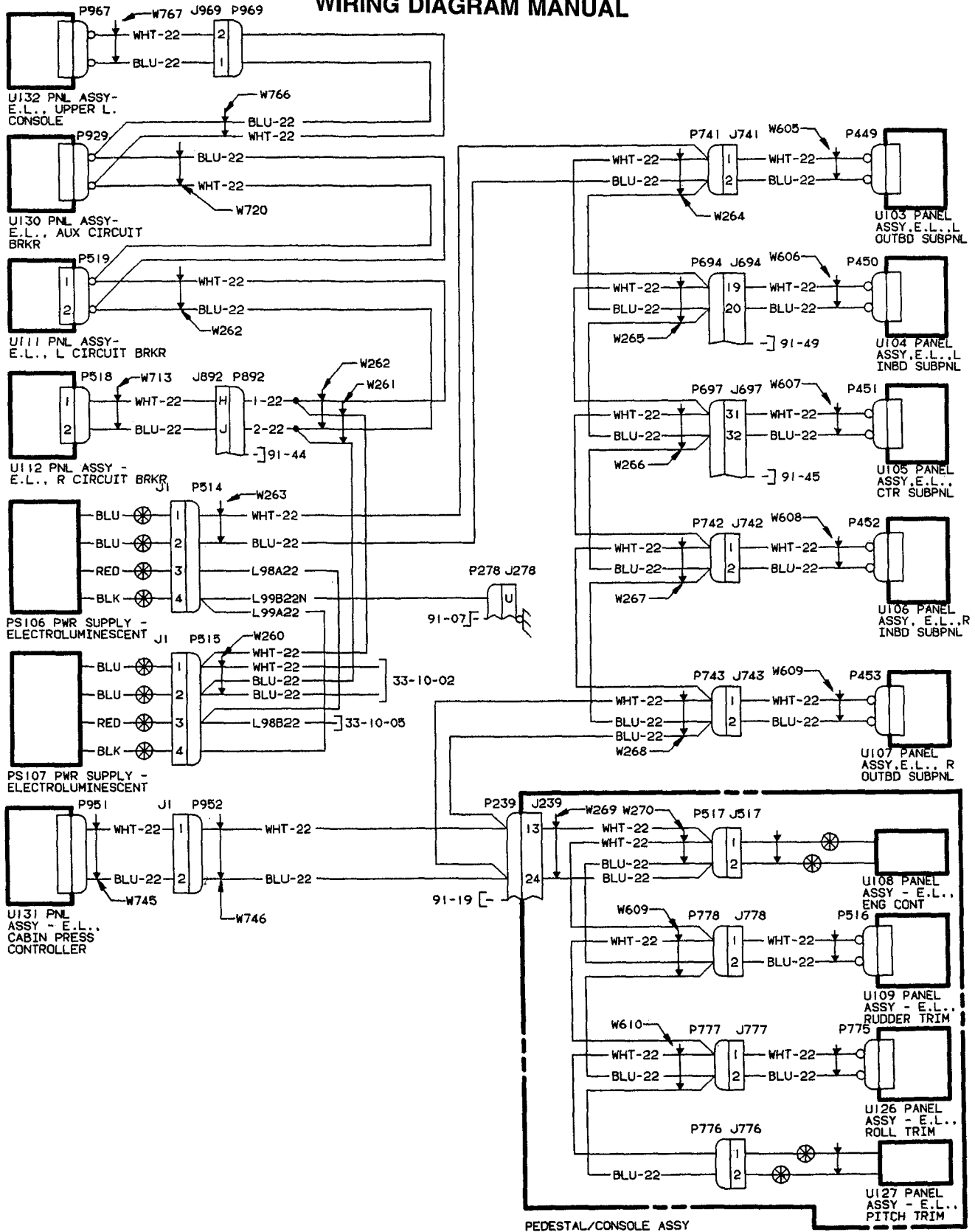
## STARSHIP 1

### WIRING DIAGRAM MANUAL

REFERENCE DESIGNATOR	PART NUMBER	DESCRIPTION	USABLE	
			INSTL ZONE	ON CODE
<b>33-15-00</b>				
J517	1-480699-0	RCPT-EL PANEL,ENGINE CONTROL		239
J741	1-480698-0	RCPT-U103 EL PANEL BREAK		234
J742	1-480698-0	RCPT-U106 EL PANEL BREAK		242
J743	1-480698-0	RCPT-U107 EL PANEL BREAK		244
J776	1-480698-0	RCPT-EL PANEL,PITCH TRIM		239
J777	1-480698-0	RCPT-U126 EL PANEL BREAK		239
J778	1-480698-0	RCPT-U109 EL PANEL BREAK		239
J969	1-480698-0	RCPT-U132 EL PANEL BREAK		259
PS106	122-384101-1	POWER SUPPLY-ELECTROLUMINESCENT		143
PS107	122-384101-1	POWER SUPPLY-ELECTROLUMINESCENT		143
P449	MS90335-6	PLUG-EL PANEL,L OUTBOARD SUBPANEL		234
P450	MS90335-6	PLUG-EL PANEL,LEFT INBOARD SUBPANEL		233
P451	MS90335-6	PLUG-EL PANEL,CENTER SUBPANEL		242
P452	MS90335-6	PLUG-EL PANEL,R INBOARD SUBPANEL		243
P453	MS90335-6	PLUG-EL PANEL,R OUTBOARD SUBPANEL		244
P514	207015-1	PLUG-POWER SUPPLY,ELECTROLUMINESCENT		143
P515	207015-1	PLUG-POWER SUPPLY,ELECTROLUMINESCENT		143
P516	MS90335-6	PLUG-EL PANEL,RUDDER TRIM		239
P517	1-480698-0	PLUG-EL PANEL,ENGINE CONTROL		239
P518	MS90335-6	PLUG-EL PANEL,RIGHT CIRCUIT BREAKER		246
P519	MS90335-6	PLUG-EL PANEL,LEFT CIRCUIT BREAKER		236
P694	206306-2	PLUG-LEFT INBOARD SUBPANEL ASSY		233
P741	1-480699-0	PLUG-U103 EL PANEL BREAK		234
P742	1-480699-0	PLUG-U106 EL PANEL BREAK		242
P743	1-480699-0	PLUG-U107 EL PANEL BREAK		244
P775	MS90335-6	PLUG-EL PANEL,ROLL TRIM		239
P776	1-480699-0	PLUG-EL PANEL,PITCH TRIM		239
P777	1-480699-0	PLUG-U126 EL PANEL BREAK		239
P778	1-480699-0	PLUG-U109 EL PANEL BREAK		239
P929	MS90335-6	PLUG-EL PANEL AUXILIARY CIRCUIT BREAKER		235
P951	MS90335-6	PLUG-EL PANEL,CABIN PRESSURE CONTROL		256
P952	1-480699-0	PLUG-U131 EL PANEL BREAK		243
P967	MS90335-6	PLUG-PEDESTAL BREAK		259
P969	1-480699-0	PLUG-U132 EL PANEL BREAK		259
U103	122-382053-23	EL PANEL ASSY-L OUTBOARD SUBPANEL		234
U104	122-382137-15	EL PANEL ASSY-LEFT INBOARD SUBPANEL		233
U105	122-382107-9	EL PANEL ASSY-CENTER PEDESTAL		242
U106	122-382149-7	EL PANEL ASSY-R INBOARD SUBPANEL		243
U107	122-382057-17	EL PANEL ASSY-R OUTBOARD SUBPANEL		244
U108	122-382110-3	EL PANEL ASSY,PEDESTAL ENGINE CONTROL		239
U109	122-382111-7	EL PANEL ASSY-RUDDER TRIM		239
U111	122-382105-15	EL PANEL ASSY-LEFT CIRCUIT BREAKER		236
U112	122-382106-27	EL PANEL ASSY-RIGHT CIRCUIT BREAKER		246
U126	122-382112-5	EL PANEL ASSY-ROLL TRIM		239
U127	122-382108-5	EL PANEL ASSY-PITCH TRIM		239
U130	122-382148-17	EL PANEL ASSY-AUXILIARY CIRCUIT BREAKER		235
U131	122-382150-3	EL PANEL ASSY-CABIN PRESSURE CONTROL		256
U132	122-382152-1	EL PANEL ASSY-L UPPER CONSOLE		259

# Beechcraft STARSHIP 1

## WIRING DIAGRAM MANUAL



FLIGHT COMPARTMENT-OVERHEAD, SUBPANEL & CONSOLE LIGHTS

**Beechcraft**  
**STARSHIP 1**  
**WIRING DIAGRAM MANUAL**

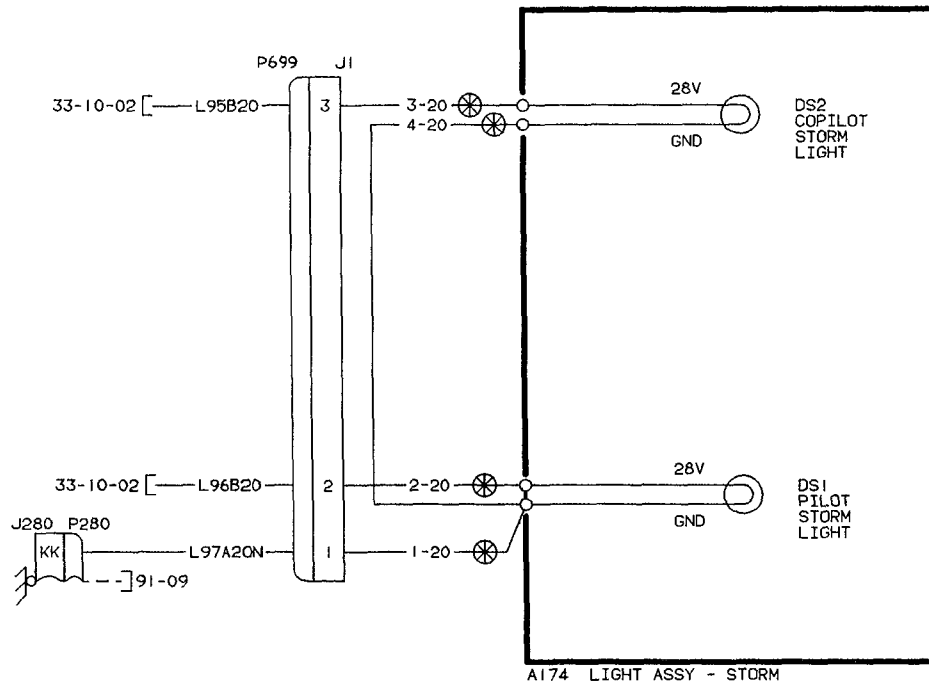
REFERENCE DESIGNATOR	PART NUMBER	DESCRIPTION	USABLE	
			INSTL ZONE	ON CODE
33-15-00				
W261	M27500-22TE2U15	CABLE-2 CNDCT		143
W262	M27500-22TE2U15	CABLE-2 CNDCT		246
W263	M27500-22TE2U15	CABLE-2 CNDCT		143
W264	M27500-22TE2U15	CABLE-2 CNDCT		234
W265	M27500-22TE2U15	CABLE-2 CNDCT		233
W266	M27500-22TE2U15	CABLE-2 CNDCT		242
W267	M27500-22TE2U15	CABLE-2 CNDCT		242
W268	M27500-22TE2U15	CABLE-2 CNDCT		244
W269	M27500-22TE2U15	CABLE-2 CNDCT		239
W270	M27500-22TE2U15	CABLE-2 CNDCT		239
W605	M27500-22TE2U15	CABLE-2 CNDCT		234
W606	M27500-22TE2U15	CABLE-2 CNDCT		233
W607	M27500-22TE2U15	CABLE-2 CNDCT		242
W608	M27500-22TE2U15	CABLE-2 CNDCT		243
W609	M27500-22TE2U15	CABLE-2 CNDCT		244
W610	M27500-22TE2U14	CABLE-2 CNDCT		221
W713	M27500-22TE2U15	CABLE-2 CNDCT		246
W720	M27500-22TE2U15	CABLE-2 CNDCT		235
W745	M27500-22TE2U15	CABLE-2 CNDCT		256
W746	M27500-22TE2U15	CABLE-2 CNDCT		243
W766	M27500-22TE2U15	CABLE-2 CNDCT		259
W767	M27500-22TE2U15	CABLE-2 CNDCT		259

**EFFECTIVITY CODE**

**Beechcraft**  
**STARSHIP 1**  
**WIRING DIAGRAM MANUAL**

**33-16-00**

# Beechcraft STARSHIP 1 WIRING DIAGRAM MANUAL



## FLIGHT COMPARTMENT-STORM LIGHTS (OPTIONAL)

**Beechcraft**  
**STARSHIP 1**  
**WIRING DIAGRAM MANUAL**

REFERENCE DESIGNATOR	PART NUMBER	DESCRIPTION	USABLE	
			INSTL	ON ZONE CODE
33-16-00				
A174	122-384083-3	LIGHT ASSY-STORM		253
A174DS1	1982	LIGHT-PILOT STORM		253
A174DS2	1982	LIGHT-COPILOT STORM		253
A174J1	207359-1	RCPT-STORM LIGHT ASSY		253
P699	207360-1	PLUG-STORM LIGHT ASSY		253

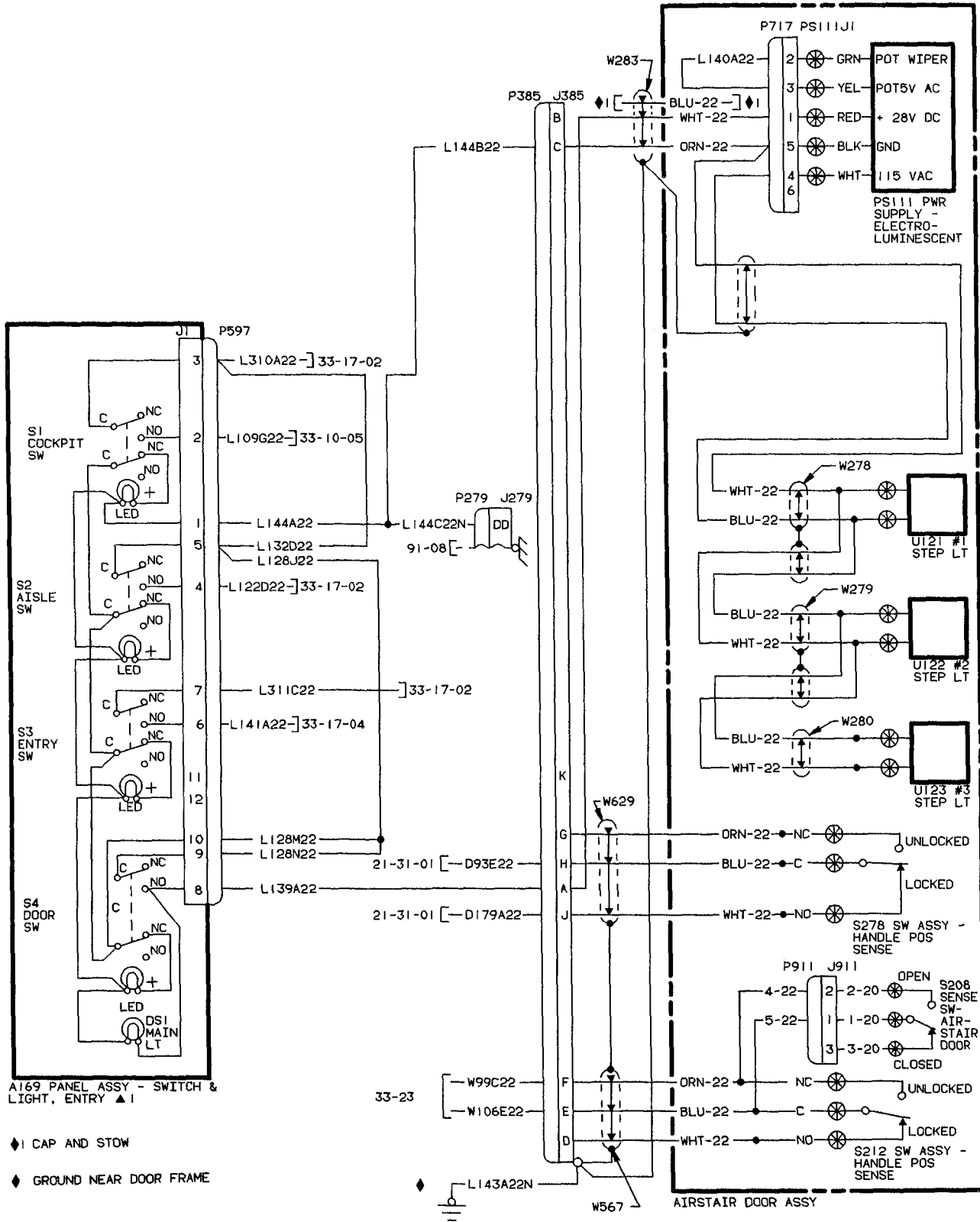
**EFFECTIVITY CODE**

**Beechcraft**  
**STARSHIP 1**  
**WIRING DIAGRAM MANUAL**

# **33-17-01**

**NC-4 THRU NC-20**

# Beechcraft STARSHIP 1 WIRING DIAGRAM MANUAL



**PASSENGER COMPARTMENT-CABIN & DOOR LIGHTING**



**Beechcraft**  
**STARSHIP 1**  
**WIRING DIAGRAM MANUAL**

REFERENCE DESIGNATOR	PART NUMBER	DESCRIPTION	USABLE	
			INSTL ZONE	ON CODE
33-17-01				
A169	122-384081-1	PANEL ASSY-ENTRY SW & LIGHT	271	1
A169DS1	MS15570-303	MAIN LIGHT	271	1
A169J1	207018-1	RCPT	271	1
A169S1	8940K1251	SWITCH-COCKPIT	271	1
A169S2	8940K1251	SWITCH-AISLE	271	1
A169S3	8940K1251	SWITCH-ENTRY	271	1
A169S4	8940K1251	SWITCH-DOOR	271	1
J385	MS3471L12-10P	RCPT-CABIN DOOR/FUSELAGE BREAK	810	1
J911	207359-1	RCPT-AIRSTAIR DOOR SENSE SW	810	1
PS111	122-384102-1	POWER SUPPLY-ELECTROLUMINESCENT	810	1
PS111	122-364190-1	SPARE FOR 122-384102-1	810	1
P385	MS3476L12-10S	PLUG-CABIN DOOR/FUSELAGE BREAK	810	1
P597	207017-1	PLUG-CABIN ENTRY LIGHT ASSY	271	1
P717	207152-1	PLUG-EL POWER SUPPLY	151	1
P911	207360-1	PLUG-AIRSTAIR DOOR SENSE SW	810	1
S208	1SE1	SW-AIRSTAIR DOOR SENSE	810	1
S212	1SE1	SW ASSY-HANDLE POSITION SENSE	810	1
S278	1SE1	SW ASSY-HANDLE POSITION SENSE	810	1
U121	122-384069-1	LIGHT-#1 STEP	810	1
U122	122-384069-1	LIGHT-#2 STEP	810	1
U123	122-384069-1	LIGHT-#3 STEP	810	1
W278	M27500-22TE2T14	CABLE-2 CNDCT	810	1
W279	M27500-22TE2T14	CABLE-2 CNDCT	810	1
W280	M27500-22TE2T14	CABLE-2 CNDCT	810	1
W283	M27500-22TE3T14	CABLE-3 CNDCT	810	1
W567	M27500-22TE3T14	CABLE-3 CNDCT	810	1
W629	M27500-22TE3T14	CABLE-3 CNDCT	810	1

**EFFECTIVITY CODE**

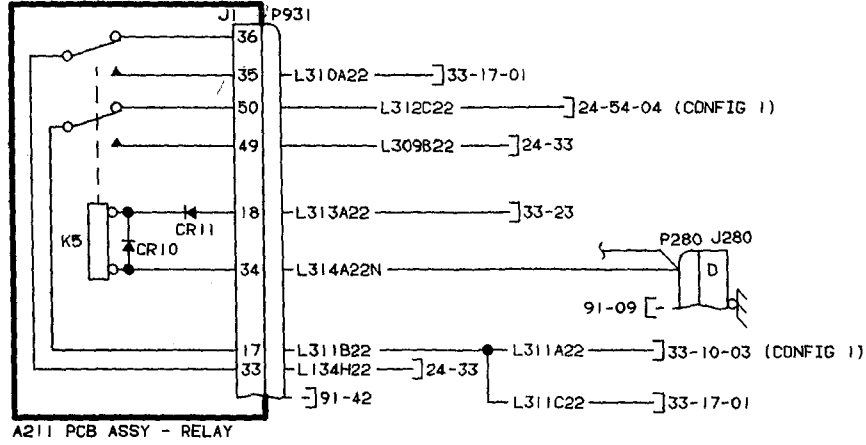
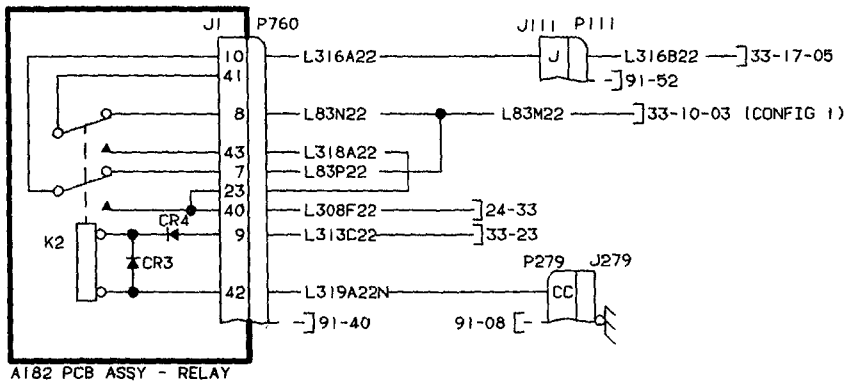
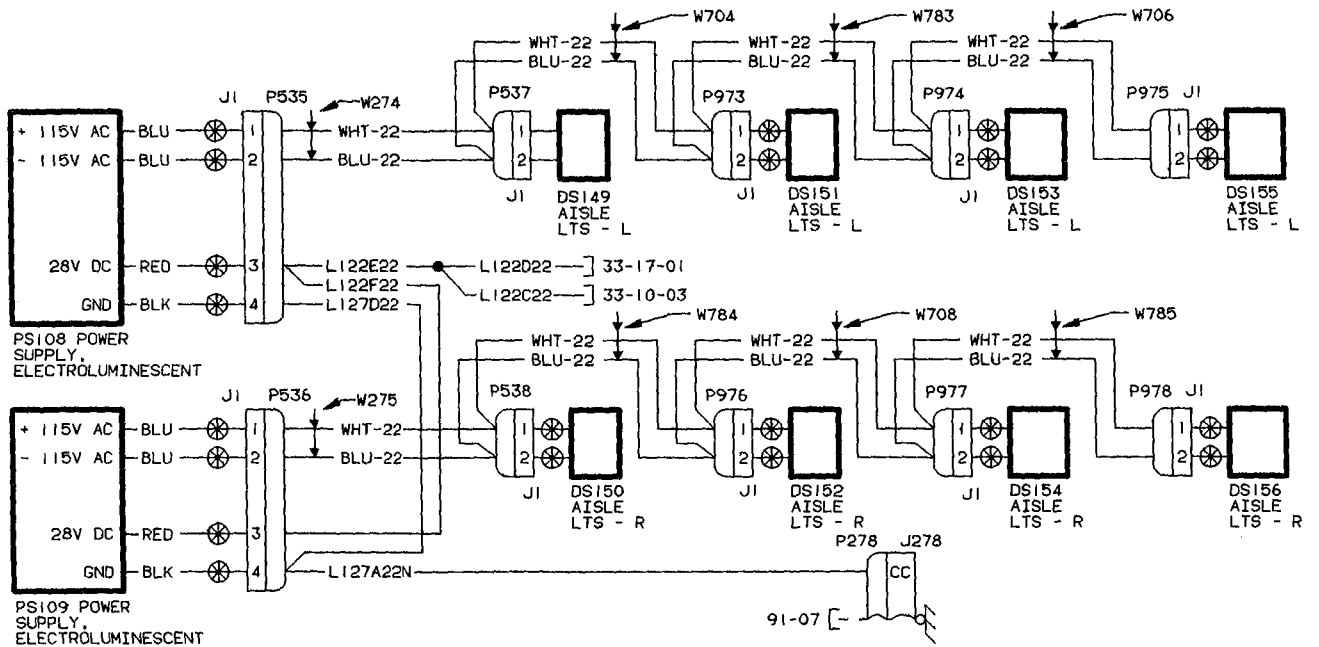
1. NC-4 THRU NC-20

**Beechcraft**  
**STARSHIP 1**  
**WIRING DIAGRAM MANUAL**

# **33-17-02**

**NC-4 THRU NC-20**

# Beechcraft STARSHIP 1 WIRING DIAGRAM MANUAL



## PASSENGER COMPARTMENT-CABIN LIGHTING

**Beechcraft**  
**STARSHIP 1**  
**WIRING DIAGRAM MANUAL**

REFERENCE DESIGNATOR	PART NUMBER	DESCRIPTION	USABLE	
			INSTL ZONE	ON CODE
33-17-02				
A182CR3	1N4007	DIODE	237	1
A182CR4	1N4007	DIODE	237	1
A182K2	M39016/6-209L	RELAY	237	1
A211CR10	1N4007	DIODE	237	1
A211CR11	1N4007	DIODE	237	1
A211K5	M39016/6-209L	RELAY	237	1
DS149	122-384068-9	LAMP-AISLE,LEFT	282	1
DS149J1	1-480699-0	LIGHT RCPT-AISLE,RIGHT	282	1
DS150	122-384068-3	LAMP-AISLE,RIGHT	272	1
DS150J1	1-480699-0	LIGHT RCPT-AISLE,RIGHT	272	1
DS151	122-384068-11	LAMP-AISLE,LEFT	282	1
DS151J1	1-480699-0	LIGHT RCPT-AISLE,LEFT	282	1
DS152	122-384068-4	LAMP-AISLE,RIGHT	272	1
DS152J1	1-480699-0	LIGHT RCPT-AISLE,RIGHT	272	1
DS153	122-384068-13	LAMP-AISLE,LEFT	272	1
DS153J1	1-480699-0	LIGHT RCPT-AISLE,LEFT	272	1
DS154	122-384068-5	LAMP-AISLE,RIGHT	272	1
DS154J1	1-480699-0	LIGHT RCPT,AISLE,RIGHT	272	1
DS155	122-384068-15	LAMP-AISLE,LEFT	152	1
DS155J1	1-480699-0	LIGHT RCPT-AISLE,LEFT	152	1
DS156	122-384068-7	LAMP-AISLE,RIGHT	272	1
DS156J1	1-480699-0	LIGHT RCPT-AISLE,RIGHT	272	1
PS108	122-384101-1	POWER SUPPLY-ELECTROLUMINESCENT	175	1
PS109	122-384101-1	POWER SUPPLY-ELECTROLUMINESCENT	175	1
P535	207015-1	PLUG	175	1
P536	207015-1	PLUG	175	1
P537	1-480698-0	PLUG	282	1
P538	1-480698-0	PLUG	272	1
P973	1-480698-0	PLUG	281	1
P974	1-480698-0	PLUG	271	1
P975	1-480698-0	PLUG	151	1
P976	1-480698-0	PLUG	272	1
P977	1-480698-0	PLUG	272	1
P978	1-480698-0	PLUG	272	1
W274	M27500-22TE2U15	CABLE-2 CNDCT	175	1
W275	M27500-22TE2U15	CABLE-2 CNDCT	175	1
W704	M27500-22TE2U15	CABLE-2 CNDCT	175	1
W706	M27500-22TE2U15	CABLE-2 CNDCT	151	1
W708	M27500-22TE2U15	CABLE-2 CNDCT	272	1
W783	M27500-22TE2U15	CABLE-2 CNDCT	271	1
W784	M27500-22TE2U15	CABLE-2 CNDCT	272	1
W785	M27500-22TE2U15	CABLE-2 CNDCT	152	1

**EFFECTIVITY CODE**

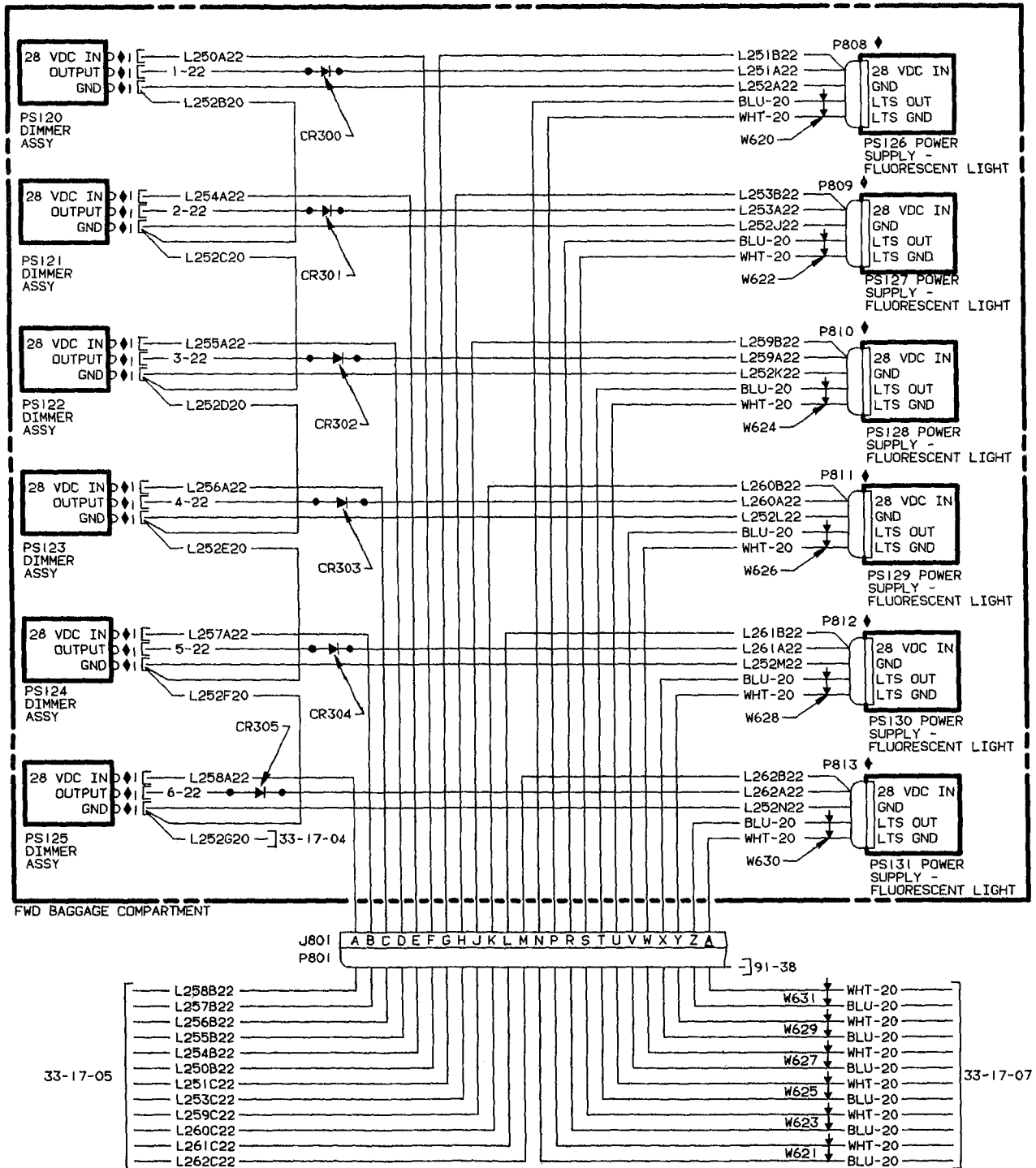
1. NC-4 THRU NC-20

**Beechcraft**  
**STARSHIP 1**  
**WIRING DIAGRAM MANUAL**

# **33-17-03**

**NC-4 THRU NC-20**

# Beechcraft STARSHIP 1 WIRING DIAGRAM MANUAL



- ◆ CONNECTOR SUPPLIED WITH POWER SUPPLY
- ◆ ON ACFT NC-5, NC-10 THRU NC-20, DIM ASSY PS120, PS121, PS122, PS123, PS124, & PS125 NOT INSTALLED. WIRES CAPPED & STOWED AS SHOWN.

## PASSENGER COMPARTMENT-CABIN LIGHTING

**Beechcraft**  
**STARSHIP 1**  
**WIRING DIAGRAM MANUAL**

REFERENCE DESIGNATOR	PART NUMBER	DESCRIPTION	USABLE	
			INSTL ZONE	ON CODE
33-17-03				
CR300	1N4007	DIODE	262	1
CR301	1N4007	DIODE	262	1
CR302	1N4007	DIODE	262	1
CR303	1N4007	DIODE	262	1
CR304	1N4007	DIODE	262	1
CR305	1N4007	DIODE	262	1
PS126	18-95D	POWER SUPPLY-FLUORESCENT LIGHT	262	1
PS127	18-95D	POWER SUPPLY-FLUORESCENT LIGHT	262	1
PS128	18-95D	POWER SUPPLY-FLUORESCENT LIGHT	262	1
PS129	18-95D	POWER SUPPLY-FLUORESCENT LIGHT	262	1
PS130	18-95D	POWER SUPPLY-FLUORESCENT LIGHT	262	1
PS131	18-95D	POWER SUPPLY-FLUORESCENT LIGHT	262	1
W620	M27500-20TE2U15	CABLE-2 CNDCT	262	1
W621	M27500-20TE2U15	CABLE-2 CNDCT	262	1
W622	M27500-20TE2U15	CABLE-2 CNDCT	262	1
W623	M27500-20TE2U15	CABLE-2 CNDCT	262	1
W624	M27500-20TE2U15	CABLE-2 CNDCT	262	1
W625	M27500-20TE2U15	CABLE-2 CNDCT	262	1
W626	M27500-20TE2U15	CABLE-2 CNDCT	262	1
W627	M27500-20TE2U15	CABLE-2 CNDCT	262	1
W628	M27500-20TE2U15	CABLE-2 CNDCT	262	1
W629	M27500-20TE2U15	CABLE-2 CNDCT	262	1
W630	M27500-20TE2U15	CABLE-2 CNDCT	262	1
W631	M27500-20TE2U15	CABLE-2 CNDCT	262	1

**EFFECTIVITY CODE**

1. NC-4 THRU NC-20

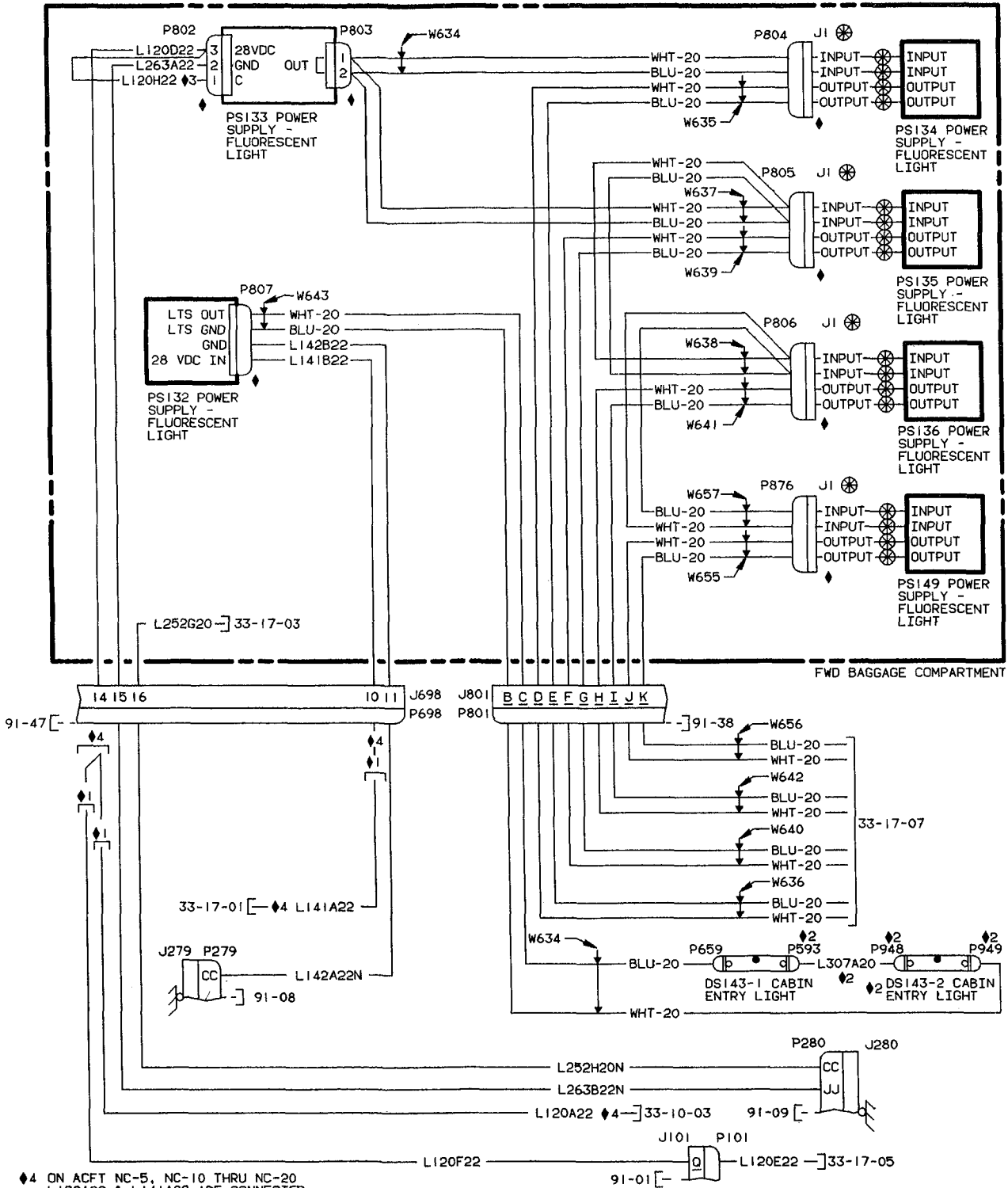
**Beechcraft**  
**STARSHIP 1**  
**WIRING DIAGRAM MANUAL**

**33-17-04**

NC-4 THRU NC-20



# Beechcraft STARSHIP 1 WIRING DIAGRAM MANUAL



- ◆ 4 ON ACFT NC-5, NC-10 THRU NC-20 L120A22 & L141A22 ARE CONNECTED
- ◆ 3 ON ACFT NC-5, NC-10 THRU NC-20 JUMPER L120H22 INSTALLED FROM PIN 1 TO PIN 3 OF P802
- ◆ 2 ON ACFT NC-15 THRU NC-20 DS143-2, P948, L307A20, & P593 ARE NOT INSTALLED & P949 IS CONNECTED TO DS143-1.

- ◆ 1 ON ACFT NC-6 AND NC-8 WIRES L120A22, L120F22, & L141A22 HAVE BEEN REMOVED FROM P698 AND CAPPED AND STOWED.
- ◆ CONNECTOR SUPPLIED WITH POWER SUPPLY

## PASSENGER COMPARTMENT-CABIN LIGHTING

**Beechcraft**  
**STARSHIP 1**  
**WIRING DIAGRAM MANUAL**

REFERENCE DESIGNATOR	PART NUMBER	DESCRIPTION	USABLE	
			INSTL ZONE	ON CODE
<b>33-17-04</b>				
DS143-1	6635-360.2S	LAMP-CABIN ENTRY	262	2
DS143-1	6335-750S	LAMP-CABIN ENTRY	262	3
DS143-2	6635-360.2S	LAMP-CABIN ENTRY	276	2
PS132	18-95D	POWER SUPPLY-FLUORESCENT LIGHT	262	1
PS133	18-996C	POWER SUPPLY-FLUORESCENT LIGHT	262	1
PS134	TR-992	POWER SUPPLY-FLUORESCENT LIGHT	262	1
PS135	TR-992	POWER SUPPLY-FLUORESCENT LIGHT	262	1
PS136	TR-992	POWER SUPPLY-FLUORESCENT LIGHT	262	1
PS149	TR-992	POWER SUPPLY-FLUORESCENT LIGHT	262	1
P593	1-480351-0	PLUG	262	1
P659	1-480351-0	PLUG	262	1
P948	1-480351-0	PLUG	262	1
P949	1-480351-0	PLUG	276	1
W634	M27500-20TE2U15	CABLE-2 CNDCT	262	1
W635	M27500-20TE2U15	CABLE-2 CNDCT	262	1
W636	M27500-20TE2U15	CABLE-2 CNDCT	262	1
W637	M27500-20TE2U15	CABLE-2 CNDCT	262	1
W638	M27500-20TE2U15	CABLE-2 CNDCT	262	1
W639	M27500-20TE2U15	CABLE-2 CNDCT	262	1
W640	M27500-20TE2U15	CABLE-2 CNDCT	262	1
W641	M27500-20TE2U15	CABLE-2 CNDCT	262	1
W642	M27500-20TE2U15	CABLE-2 CNDCT	262	1
W643	M27500-20TE2U15	CABLE-2 CNDCT	262	1
W655	M27500-20TE2U15	CABLE-2 CNDCT	262	1
W656	M27500-20TE2U15	CABLE-2 CNDCT	262	1
W657	M27500-20TE2U15	CABLE-2 CNDCT	262	1

**EFFECTIVITY CODE**

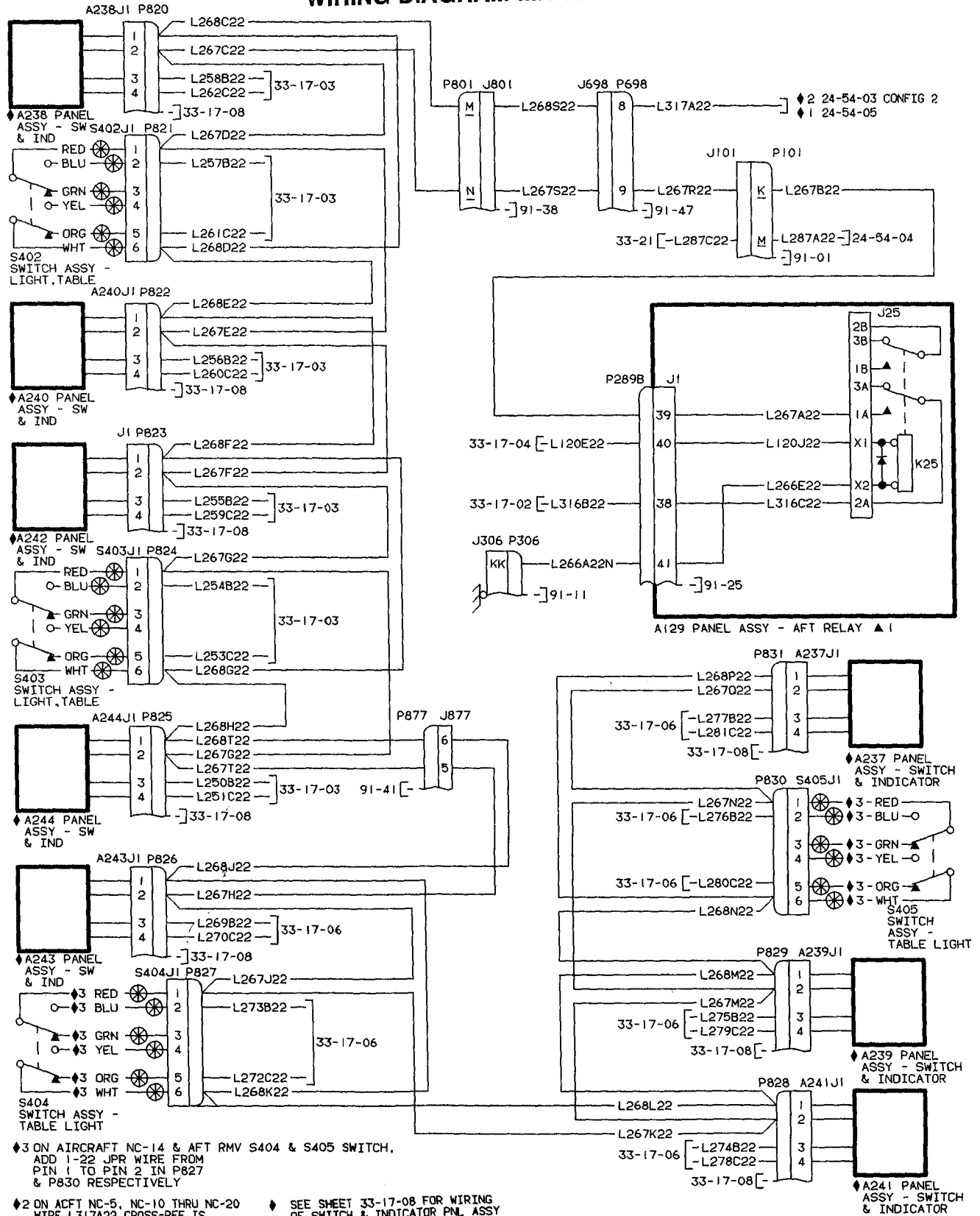
1. NC-4 THRU NC-20
2. NC-4 THRU NC-14
3. NC-15 THRU NC-20

**Beechcraft**  
**STARSHIP 1**  
**WIRING DIAGRAM MANUAL**

# **33-17-05**

**NC-4 THRU NC-20**

# Beechcraft STARSHIP 1 WIRING DIAGRAM MANUAL



◆ 3 ON AIRCRAFT NC-14 & AFT RMV S404 & S405 SWITCH, ADD 1-22 JPR WIRE FROM PIN 1 TO PIN 2 IN P827 & P830 RESPECTIVELY

◆ 2 ON ACFT NC-5, NC-10 THRU NC-20 WIRE L317A22 CROSS-REF IS 24-54-03 CONFIG 2

◆ 1 ON AIRCRAFT NC-4, NC-6, NC-7, NC-8 & NC-9 WIRE L317A22 CROSS REF IS 24-54-05

◆ SEE SHEET 33-17-08 FOR WIRING OF SWITCH & INDICATOR PNL ASSY

## PASSENGER COMPARTMENT-CABIN LIGHTING

**Beechcraft**  
**STARSHIP 1**  
**WIRING DIAGRAM MANUAL**

REFERENCE DESIGNATOR	PART NUMBER	DESCRIPTION	USABLE	
			INSTL ZONE	ON CODE
33-17-05				
A129J25	451120-051	RCPT-RELAY	320	1
A129K25	M6106/27-023	RELAY	320	1
A237	122-530279-601	PANEL ASSY-SW & INDICATOR	271	1
A237J1	207443-1	RCPT	271	1
A238	122-530279-601	PANEL ASSY-SW & INDICATOR	272	1
A238J1	207443-1	RCPT	272	1
A239	122-530279-601	PANEL ASSY-SW & INDICATOR	271	1
A239J1	207443-1	RCPT	271	1
A240	122-530279-601	PANEL ASSY-SW & INDICATOR	272	1
A240J1	207443-1	RCPT	272	1
A241	122-530279-601	PANEL ASSY-SW & INDICATOR	281	1
A241J1	207443-1	RCPT	281	1
A242	122-530279-601	PANEL ASSY-SW & INDICATOR	282	1
A242J1	207443-1	RCPT	282	1
A243	122-530279-601	PANEL ASSY-SW & INDICATOR	281	1
A243J1	207443-1	RCPT	281	1
A244	122-530279-601	PANEL ASSY-SW & INDICATOR	282	1
A244J1	207443-1	RCPT	282	1
P820	207442-1	PLUG	272	1
P821	207152-1	PLUG	272	1
P822	207442-1	PLUG	272	1
P823	207442-1	PLUG	282	1
P824	207152-1	PLUG	282	1
P825	207442-1	PLUG	282	1
P826	207442-1	PLUG	281	1
P827	207152-1	PLUG	281	1
P828	207442-1	PLUG	281	1
P829	207442-1	PLUG	271	1
P830	207152-1	PLUG	271	1
P831	207442-1	PLUG	271	1
S402	122-384120	SW ASSY-TABLE LIGHT	272	1
S402J1	207153-1	RCPT	272	1
S403	122-384120	SW ASSY-TABLE LIGHT	282	1
S403J1	207153-1	RCPT	282	1
S404	122-384120	SW ASSY-TABLE LIGHT	281	1
S404J1	207153-1	RCPT	281	1
S405	122-384120	SW ASSY-TABLE LIGHT	271	1
S405J1	207153-1	RCPT	271	1

**EFFECTIVITY CODE**

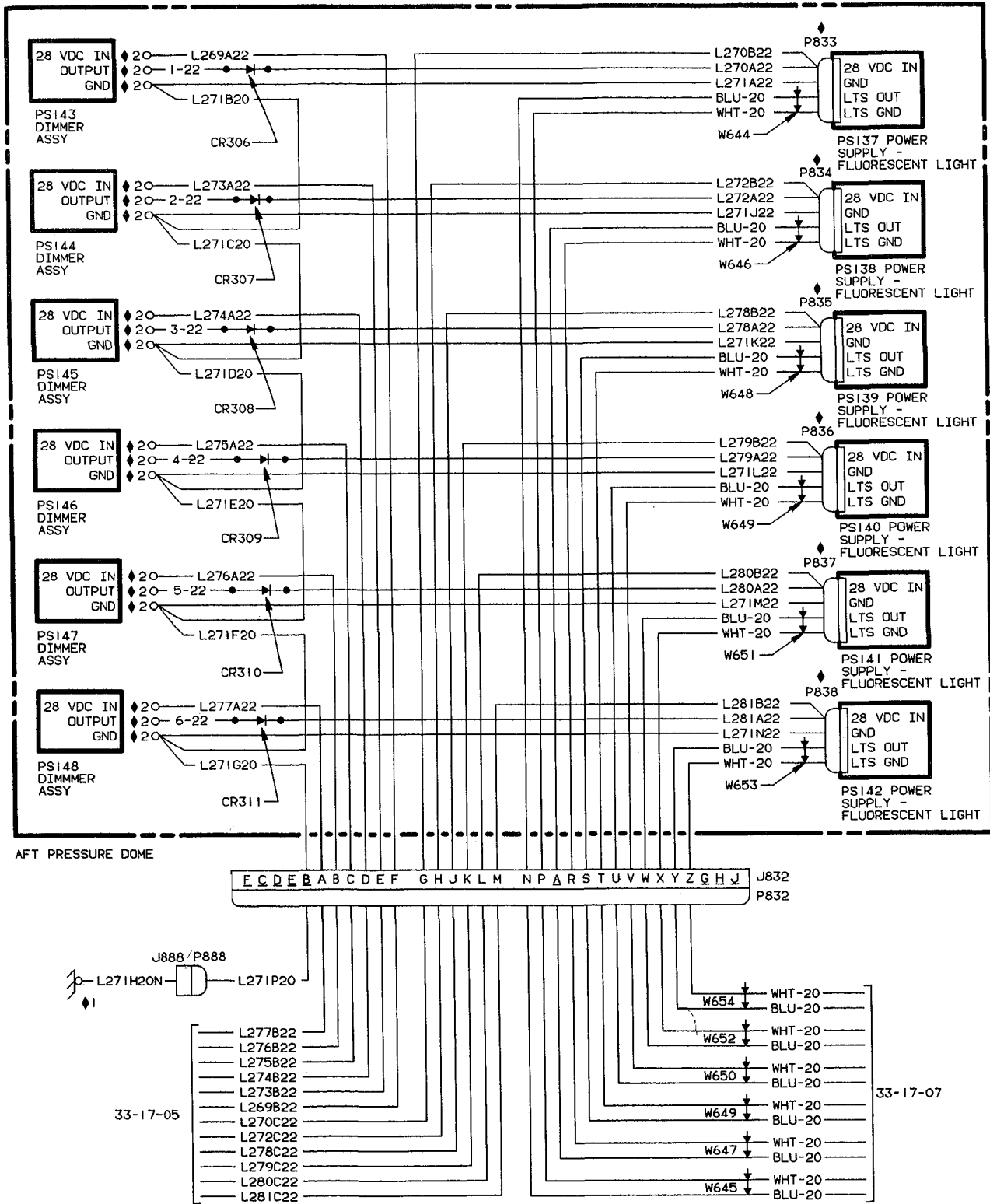
1. NC-4 THRU NC-20

**Beechcraft**  
**STARSHIP 1**  
**WIRING DIAGRAM MANUAL**

**33-17-06**

**NC-4 THRU NC-20**

# Beechcraft STARSHIP 1 WIRING DIAGRAM MANUAL



- ◆1 GROUND WITH WING INSPECTION LIGHT OVERBRAID (REF SHEET 33-46)
- ◆ CONNECTOR SUPPLIED WITH POWER SUPPLY

- ◆2 ON ACFT NC-5, NC-10 THRU NC-20; PSI43, PSI44, PSI45, PSI46, PSI47 & PSI48 ARE NOT INSTALLED & WIRES ARE CAPPED & STOWED AS SHOWN

## PASSENGER COMPARTMENT-CABIN LIGHTING

**Beechcraft**  
**STARSHIP 1**  
**WIRING DIAGRAM MANUAL**

REFERENCE DESIGNATOR	PART NUMBER	DESCRIPTION	USABLE	
			INSTL ZONE	ON CODE
33-17-06				
CR306	1N4007	DIODE	295	1
CR307	1N4007	DIODE	295	1
CR308	1N4007	DIODE	295	1
CR309	1N4007	DIODE	295	1
CR310	1N4007	DIODE	295	1
CR311	1N4007	DIODE	295	1
J832	MS3471L18-32P	RCPT	295	1
J888	1-350867-0	RCPT	271	1
PS137	18-95D	POWER SUPPLY-FLUORESCENT LIGHT	295	1
PS138	18-95D	POWER SUPPLY-FLUORESCENT LIGHT	295	1
PS139	18-95D	POWER SUPPLY-FLUORESCENT LIGHT	295	1
PS140	18-95D	POWER SUPPLY-FLUORESCENT LIGHT	295	1
PS141	18-95D	POWER SUPPLY-FLUORESCENT LIGHT	295	1
PS142	18-95D	POWER SUPPLY-FLUORESCENT LIGHT	295	1
P832	MS3476L18-32S	PLUG	295	1
P888	1-350868-0	PLUG	271	1
W644	M27500-20TE2U15	CABLE-2 CNDCT	295	1
W645	M27500-20TE2U15	CABLE-2 CNDCT	295	1
W646	M27500-20TE2U15	CABLE-2 CNDCT	295	1
W647	M27500-20TE2U15	CABLE-2 CNDCT	295	1
W648	M27500-20TE2U15	CABLE-2 CNDCT	295	1
W649	M27500-20TE2U15	CABLE-2 CNDCT	295	1
W650	M27500-20TE2U15	CABLE-2 CNDCT	295	1
W651	M27500-20TE2U15	CABLE-2 CNDCT	295	1
W652	M27500-20TE2U15	CABLE-2 CNDCT	295	1
W653	M27500-20TE2U15	CABLE-2 CNDCT	295	1
W654	M27500-20TE2U15	CABLE-2 CNDCT	295	1

**EFFECTIVITY CODE**

1. NC-4 THRU NC-20

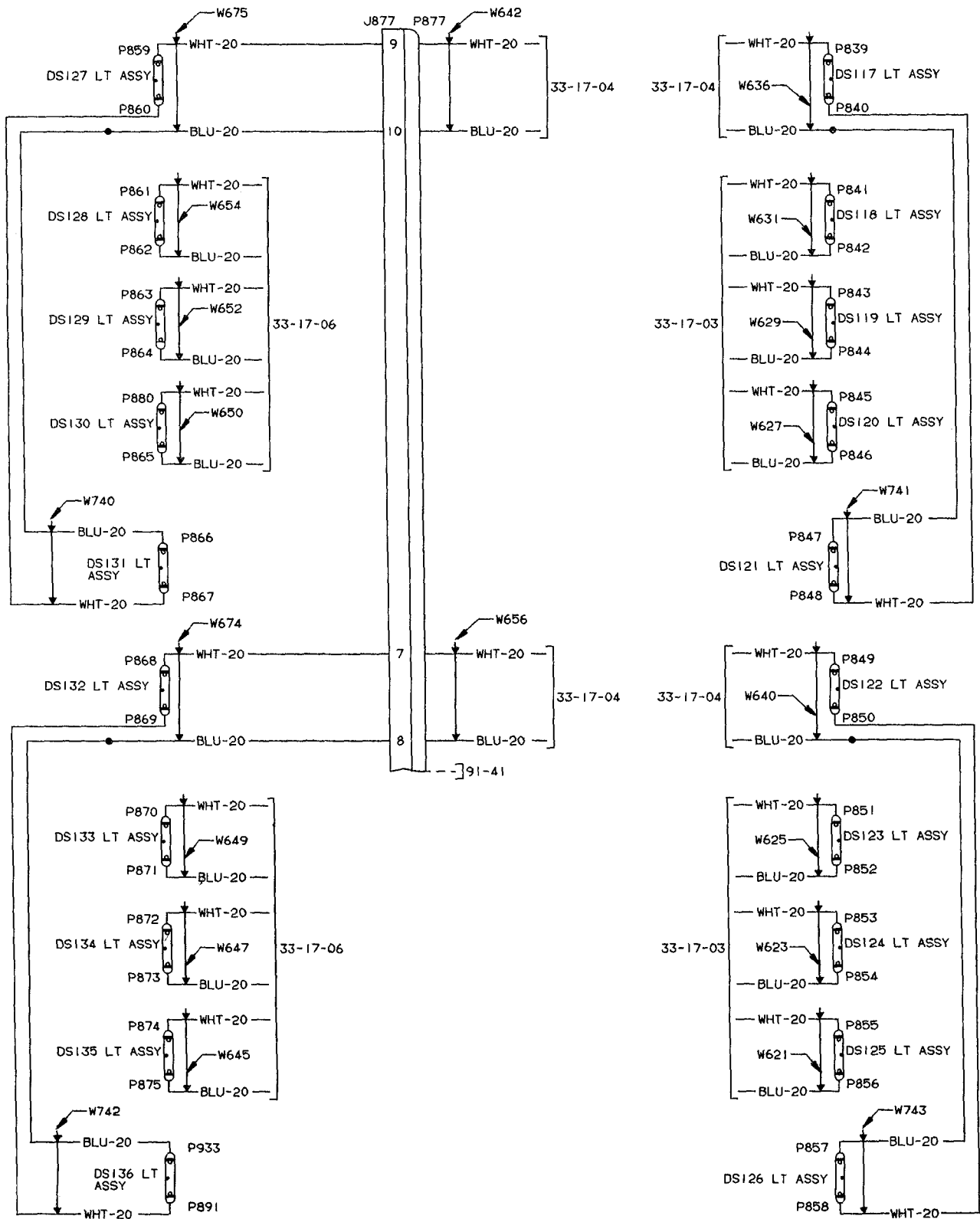


Beechcraft  
STARSHIP 1  
WIRING DIAGRAM MANUAL

**33-17-07**

NC-4 THRU NC-20

# Beechcraft STARSHIP 1 WIRING DIAGRAM MANUAL

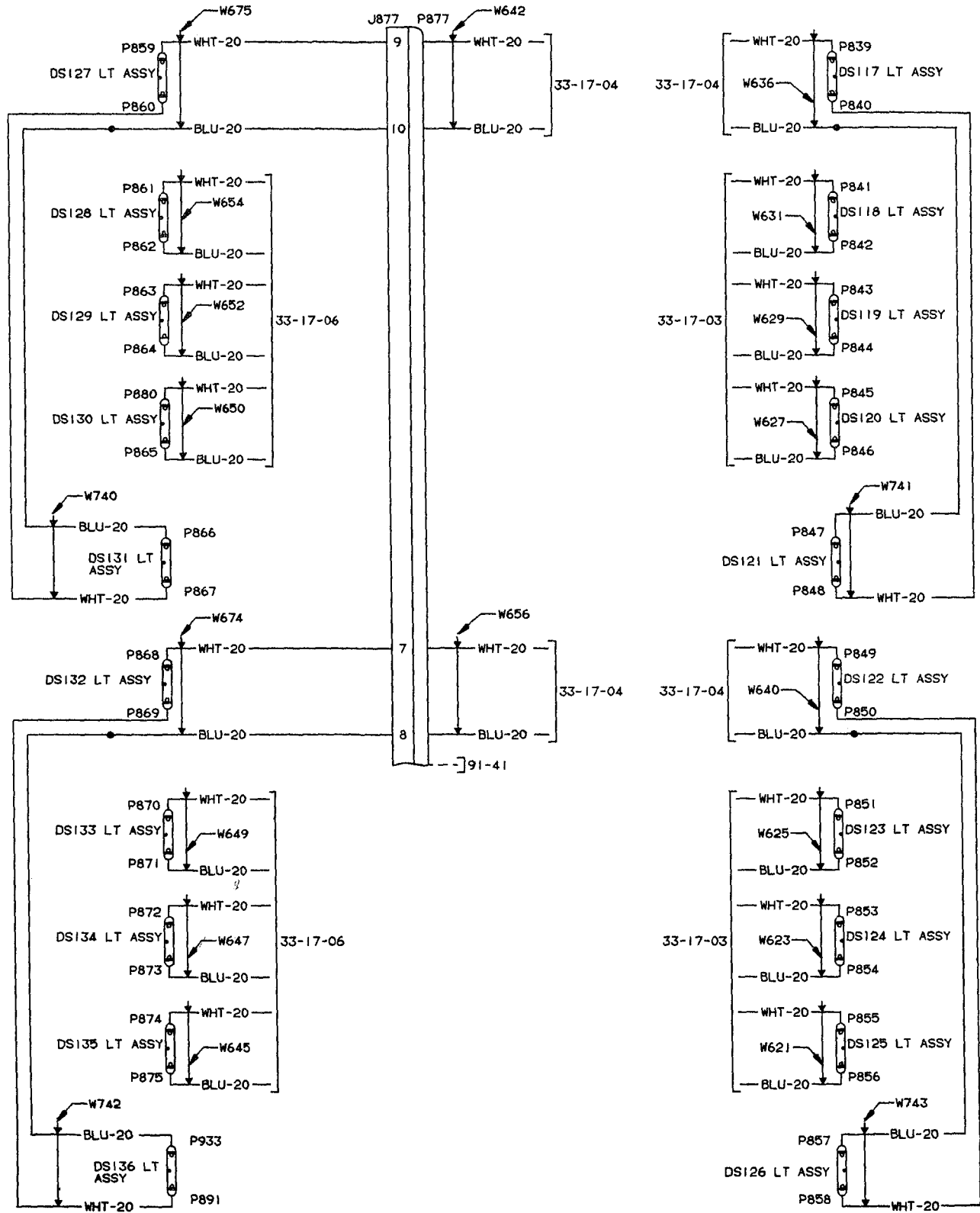


## PASSENGER COMPARTMENT-CABIN LIGHTING

**Beechcraft**  
**STARSHIP 1**  
**WIRING DIAGRAM MANUAL**

REFERENCE DESIGNATOR	PART NUMBER	DESCRIPTION	USABLE	
			INSTL ZONE	ON CODE
33-17-07				
DS117	6635-360.2S	LIGHT ASSY	276	1
DS118	6635-360.2S	LIGHT ASSY	276	1
DS119	6635-360.2S	LIGHT ASSY	276	1
DS120	6635-360.2S	LIGHT ASSY	276	1
DS121	6635-360.2S	LIGHT ASSY	276	1
DS122	6635-360.2S	LIGHT ASSY	286	1
DS123	6635-360.2S	LIGHT ASSY	286	1
DS124	6635-360.2S	LIGHT ASSY	286	1
DS125	6635-360.2S	LIGHT ASSY	286	1
DS126	6635-360.2S	LIGHT ASSY	286	1
DS127	6635-360.2S	LIGHT ASSY	275	1
DS128	6635-360.2S	LIGHT ASSY	275	1
DS129	6635-360.2S	LIGHT ASSY	275	1
DS130	6635-360.2S	LIGHT ASSY	275	1
DS131	6635-360.2S	LIGHT ASSY	275	1
DS132	6635-360.2S	LIGHT ASSY	285	1
DS134	6635-360.2S	LIGHT ASSY	285	1
DS135	6635-360.2S	LIGHT ASSY	285	1
DS136	6635-360.2S	LIGHT ASSY	285	1
P839	31.85 1.A	PLUG	276	1
P840	31.85 1.A	PLUG	276	1
P841	31.85 1.A	PLUG	276	1
P842	31.85 1.A	PLUG	276	1
P843	31.85 1.A	PLUG	276	1
P844	31.85 1.A	PLUG	276	1
P845	31.85 1.A	PLUG	276	1
P846	31.85 1.A	PLUG	276	1
P847	31.85 1.A	PLUG	276	1
P848	31.85 1.A	PLUG	276	1
P849	31.85 1.A	PLUG	276	1
P850	31.85 1.A	PLUG	276	1
P851	31.85 1.A	PLUG	286	1
P852	31.85 1.A	PLUG	286	1
P853	31.85 1.A	PLUG	286	1
P854	31.85 1.A	PLUG	286	1
P855	31.85 1.A	PLUG	286	1
P856	31.85 1.A	PLUG	286	1
P857	31.85 1.A	PLUG	286	1
P858	31.85 1.A	PLUG	286	1
P859	31.85 1.A	PLUG	275	1
P860	31.85 1.A	PLUG	275	1
P861	31.85 1.A	PLUG	275	1
P862	31.85 1.A	PLUG	275	1
P863	31.85 1.A	PLUG	275	1
P864	31.85 1.A	PLUG	275	1
P865	31.85 1.A	PLUG	275	1
P866	31.85 1.A	PLUG	275	1
P867	31.85 1.A	PLUG	275	1

# Beechcraft STARSHIP 1 WIRING DIAGRAM MANUAL



## PASSENGER COMPARTMENT-CABIN LIGHTING

**Beechcraft**  
**STARSHIP 1**  
**WIRING DIAGRAM MANUAL**

REFERENCE DESIGNATOR	PART NUMBER	DESCRIPTION	USABLE	
			INSTL ZONE	ON CODE
33-17-07				
P868	31.85 1.A	PLUG	275	1
P869	31.85 1.A	PLUG	275	1
P870	31.85 1.A	PLUG	285	1
P871	31.85 1.A	PLUG	285	1
P872	31.85 1.A	PLUG	285	1
P873	31.85 1.A	PLUG	285	1
P874	31.85 1.A	PLUG	285	1
P875	31.85 1.A	PLUG	285	1
P880	1-480698-0	PLUG	276	1
P891	31.85 1.A	PLUG	285	1
P933	31.85 1.A	PLUG	285	1
W642	M27500-22TE2U15	CABLE-2 CNDCT	286	1
W674	M27500-22TE2U15	CABLE-2 CNDCT	275	1
W675	M27500-22TE2U15	CABLE-2 CNDCT	275	1
W740	M27500-22TE2U15	CABLE-2 CNDCT	275	1
W741	M27500-22TE2U15	CABLE-2 CNDCT	276	1
W742	M27500-22TE2U15	CABLE-2 CNDCT	285	1
W743	M27500-2TE2U15	CABLE-2 CNDCT	286	1

**EFFECTIVITY CODE**

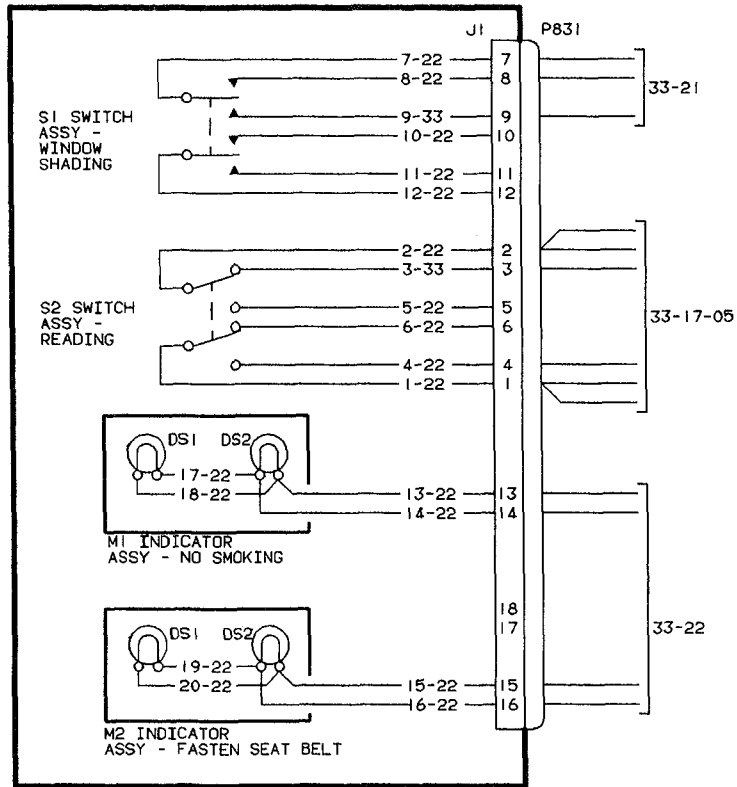
1. NC-4 THRU NC-20

**Beechcraft**  
**STARSHIP 1**  
**WIRING DIAGRAM MANUAL**

**33-17-08**

**NC-4 THRU NC-20**

# Beechcraft STARSHIP 1 WIRING DIAGRAM MANUAL



A237, A238, A239, A240, A241, A242, A243, A244  
PANEL ASSEMBLIES - SWITCH & INDICATOR

▲ 1

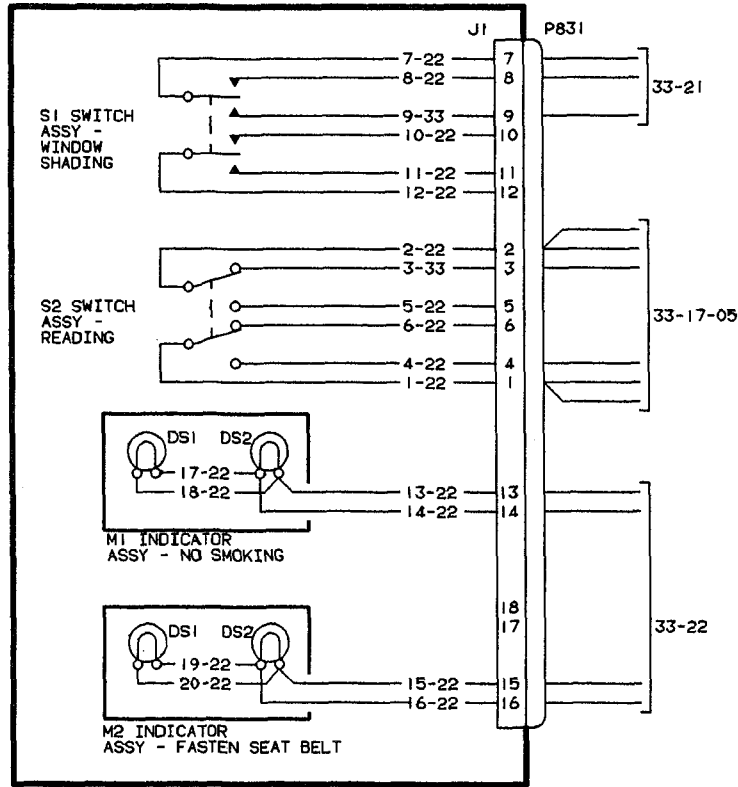
## PASSENGER COMPARTMENT-CABIN LIGHTING

**Deechcraft**  
**STARSHIP 1**  
**WIRING DIAGRAM MANUAL**

REFERENCE DESIGNATOR	PART NUMBER	DESCRIPTION	USABLE	
			INSTL ZONE	ON CODE
33-17-08				
A237	122-530279-601	PANEL ASSY-SW & INDICATOR	271	1
A237J1	207443-1	RCPT	271	1
A237J1A	66103-4	PIN CONTACT	271	1
A237M1	AML41GBA2	INDICATOR-LIGHTED	271	1
A237M1A	AML51-F40R-SMK	CAP-INDICATOR	271	1
A237M1DS1	#85	LAMP	271	1
A237M1DS2	#85	LAMP	271	1
A237M2	AML41GBA2	INDICATOR-LIGHTED	271	1
A237M2A	AML51-F40R-FSB	CAP-INDICATOR	271	1
A237M2DS1	#85	LAMP	271	1
A237M2DS2	#85	LAMP	271	1
A237S1	AML24EB2AC05	SWITCH-ROCKER	271	1
A237S1A	AML54-F20K-W	BUTTON-ROCKER SWITCH	271	1
A237S2	AML24EB2AC01	SWITCH-ROCKER	271	1
A237S2A	AML54-F20K-R	BUTTON-ROCKER SWITCH	271	1
A238	122-530279-601	PANEL ASSY-SW & INDICATOR	272	1
A238J1	207443-1	RCPT	272	1
A238J1A	66103-4	PIN CONTACT	272	1
A238M1	AML41GBA2	INDICATOR-LIGHTED	272	1
A238M1A	AML51-F40R-SMK	CAP-INDICATOR	272	1
A238M1DS1	#85	LAMP	272	1
A238M1DS2	#85	LAMP	272	1
A238M2	AML41GBA2	INDICATOR-LIGHTED	272	1
A238M2A	AML51-F40R-FSB	CAP-INDICATOR	272	1
A238M2DS1	#85	LAMP	272	1
A238M2DS2	#85	LAMP	272	1
A238S1	AML24EB2AC05	SWITCH-ROCKER	272	1
A238S1A	AML54-F20K-W	BUTTON-ROCKER SWITCH	272	1
A238S2	AML24EB2AC01	SWITCH-ROCKER	272	1
A238S2A	AML54-F20K-R	BUTTON-ROCKER SWITCH	272	1
A239	122-530279-601	PANEL ASSY-SW & INDICATOR	271	1
A239J1	207443-1	RCPT	271	1
A239J1A	66103-4	PIN CONTACT	271	1
A239M1	AML41GBA2	INDICATOR-LIGHTED	271	1
A239M1A	AML51-F40R-SMK	CAP-INDICATOR	271	1
A239M1DS1	#85	LAMP	271	1
A239M1DS2	#85	LAMP	271	1
A239M2	AML41GBA2	INDICATOR-LIGHTED	271	1
A239M2A	AML51-F40R-FSB	CAP-INDICATOR	271	1
A239M2DS1	#85	LAMP	271	1
A239M2DS2	#85	LAMP	271	1
A239S1	AML24EB2AC05	SWITCH-ROCKER	271	1
A239S1A	AML54-F20K-W	BUTTON-ROCKER SWITCH	271	1
A239S2	AML24EB2AC01	SWITCH-ROCKER	271	1
A239S2A	AML54-F20K-R	BUTTON-ROCKER SWITCH	271	1
A240	122-530279-601	PANEL ASSY-SW & INDICATOR	272	1
A240J1	207443-1	RCPT	272	1
A240J1A	66103-4	PIN CONTACT	272	1



# Beechcraft STARSHIP 1 WIRING DIAGRAM MANUAL



A237, A238, A239, A240, A241, A242, A243, A244  
PANEL ASSEMBLIES - SWITCH & INDICATOR

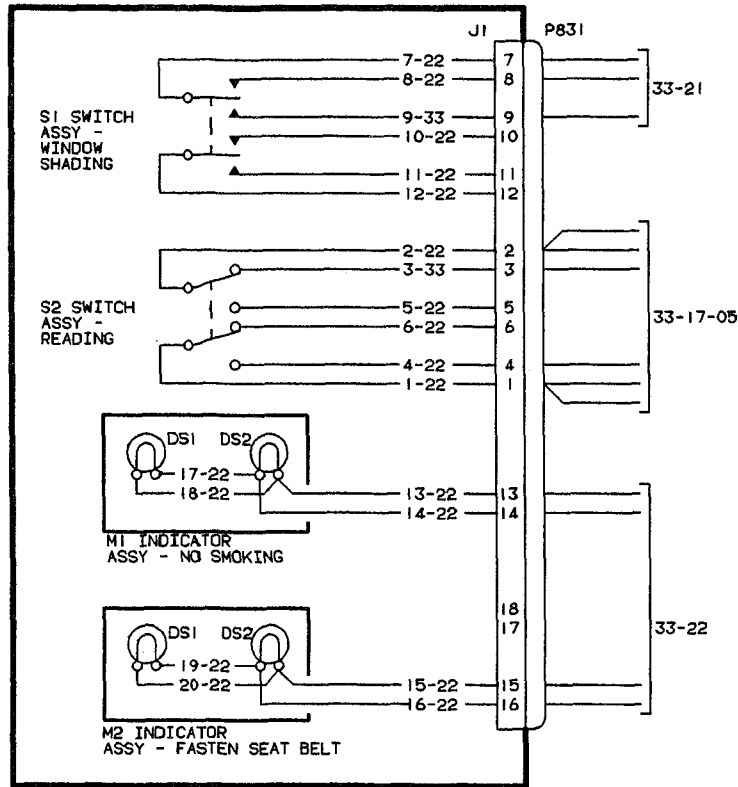
▲ |

## PASSENGER COMPARTMENT-CABIN LIGHTING

**Beechcraft**  
**STARSHIP 1**  
**WIRING DIAGRAM MANUAL**

REFERENCE DESIGNATOR	PART NUMBER	DESCRIPTION	USABLE	
			INSTL ZONE	ON CODE
33-17-08				
A237	122-530279-601	PANEL ASSY-SW & INDICATOR	271	1
A237J1	207443-1	RCPT	271	1
A237J1A	66103-4	PIN CONTACT	271	1
A237M1	AML41GBA2	INDICATOR-LIGHTED	271	1
A237M1A	AML51-F40R-SMK	CAP-INDICATOR	271	1
A237M1DS1	#85	LAMP	271	1
A237M1DS2	#85	LAMP	271	1
A237M2	AML41GBA2	INDICATOR-LIGHTED	271	1
A237M2A	AML51-F40R-FSB	CAP-INDICATOR	271	1
A237M2DS1	#85	LAMP	271	1
A237M2DS2	#85	LAMP	271	1
A237S1	AML24EB2AC05	SWITCH-ROCKER	271	1
A237S1A	AML54-F20K-W	BUTTON-ROCKER SWITCH	271	1
A237S2	AML24EB2AC01	SWITCH-ROCKER	271	1
A237S2A	AML54-F20K-R	BUTTON-ROCKER SWITCH	271	1
A238	122-530279-601	PANEL ASSY-SW & INDICATOR	272	1
A238J1	207443-1	RCPT	272	1
A238J1A	66103-4	PIN CONTACT	272	1
A238M1	AML41GBA2	INDICATOR-LIGHTED	272	1
A238M1A	AML51-F40R-SMK	CAP-INDICATOR	272	1
A238M1DS1	#85	LAMP	272	1
A238M1DS2	#85	LAMP	272	1
A238M2	AML41GBA2	INDICATOR-LIGHTED	272	1
A238M2A	AML51-F40R-FSB	CAP-INDICATOR	272	1
A238M2DS1	#85	LAMP	272	1
A238M2DS2	#85	LAMP	272	1
A238S1	AML24EB2AC05	SWITCH-ROCKER	272	1
A238S1A	AML54-F20K-W	BUTTON-ROCKER SWITCH	272	1
A238S2	AML24EB2AC01	SWITCH-ROCKER	272	1
A238S2A	AML54-F20K-R	BUTTON-ROCKER SWITCH	272	1
A239	122-530279-601	PANEL ASSY-SW & INDICATOR	271	1
A239J1	207443-1	RCPT	271	1
A239J1A	66103-4	PIN CONTACT	271	1
A239M1	AML41GBA2	INDICATOR-LIGHTED	271	1
A239M1A	AML51-F40R-SMK	CAP-INDICATOR	271	1
A239M1DS1	#85	LAMP	271	1
A239M1DS2	#85	LAMP	271	1
A239M2	AML41GBA2	INDICATOR-LIGHTED	271	1
A239M2A	AML51-F40R-FSB	CAP-INDICATOR	271	1
A239M2DS1	#85	LAMP	271	1
A239M2DS2	#85	LAMP	271	1
A239S1	AML24EB2AC05	SWITCH-ROCKER	271	1
A239S1A	AML54-F20K-W	BUTTON-ROCKER SWITCH	271	1
A239S2	AML24EB2AC01	SWITCH-ROCKER	271	1
A239S2A	AML54-F20K-R	BUTTON-ROCKER SWITCH	271	1
A240	122-530279-601	PANEL ASSY-SW & INDICATOR	272	1
A240J1	207443-1	RCPT	272	1
A240J1A	66103-4	PIN CONTACT	272	1

# Beechcraft STARSHIP 1 WIRING DIAGRAM MANUAL



A237, A238, A239, A240, A241, A242, A243, A244  
PANEL ASSEMBLIES - SWITCH & INDICATOR

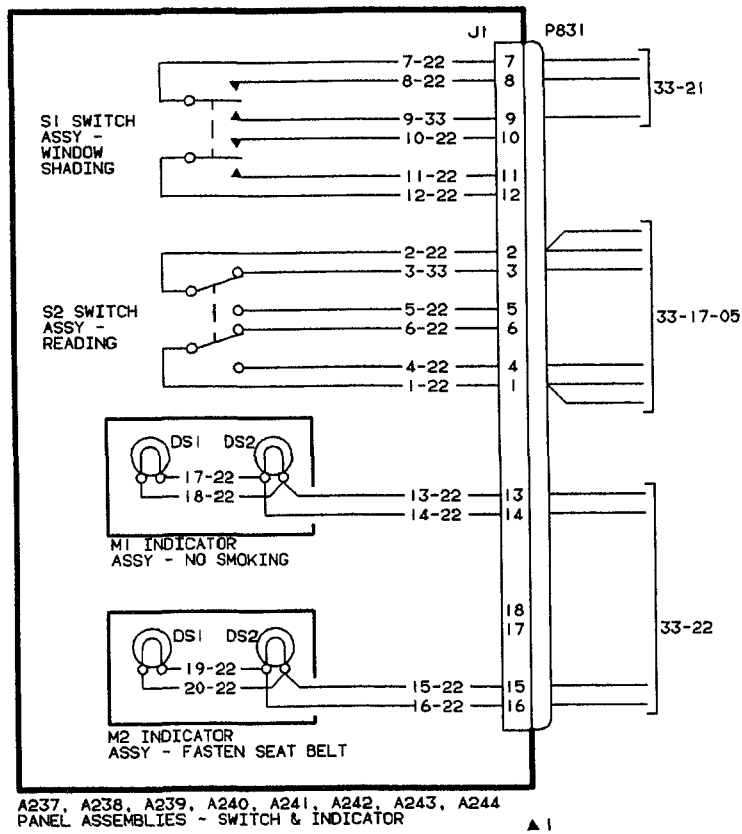
▲ 1

## PASSENGER COMPARTMENT-CABIN LIGHTING

**Beechcraft**  
**STARSHIP 1**  
**WIRING DIAGRAM MANUAL**

REFERENCE DESIGNATOR	PART NUMBER	DESCRIPTION	USABLE	
			INSTL ZONE	ON CODE
33-17-08				
A240M1	AML41GBA2	INDICATOR-LIGHTED	272	1
A240M1A	AML51-F40R-SMK	CAP-INDICATOR	272	1
A240M1DS1	#85	LAMP	272	1
A240M1DS2	#85	LAMP	272	1
A240M2	AML41GBA2	INDICATOR-LIGHTED	272	1
A240M2A	AML51-F40R-FSB	CAP-INDICATOR	272	1
A240M2DS1	#85	LAMP	272	1
A240M2DS2	#85	LAMP	272	1
A240S1	AML24EB2AC05	SWITCH-ROCKER	272	1
A240S1A	AML54-F20K-W	BUTTON-ROCKER SWITCH	272	1
A240S2	AML24EB2AC01	SWITCH-ROCKER	272	1
A240S2A	AML54-F20K-R	BUTTON-ROCKER SWITCH	272	1
A241	122-530279-601	PANEL ASSY-SW & INDICATOR	281	1
A241J1	207443-1	RCPT	281	1
A241J1A	66103-4	PIN CONTACT	281	1
A241M1	AML41GBA2	INDICATOR-LIGHTED	281	1
A241M1A	AML51-F40R-SMK	CAP-INDICATOR	281	1
A241M1DS1	#85	LAMP	281	1
A241M1DS2	#85	LAMP	281	1
A241M2	AML41GBA2	INDICATOR-LIGHTED	281	1
A241M2A	AML51-F40R-FSB	CAP-INDICATOR	281	1
A241M2DS1	#85	LAMP	281	1
A241M2DS2	#85	LAMP	281	1
A241S1	AML24EB2AC05	SWITCH-ROCKER	281	1
A241S1A	AML54-F20K-W	BUTTON-ROCKER SWITCH	281	1
A241S2	AML24EB2AC01	SWITCH-ROCKER	281	1
A241S2A	AML54-F20K-R	BUTTON-ROCKER SWITCH	281	1
A242	122-530279-601	PANEL ASSY-SW & INDICATOR	282	1
A242J1	207443-1	RCPT	282	1
A242J1A	66103-4	PIN CONTACT	282	1
A242M1	AML41GBA2	INDICATOR-LIGHTED	282	1
A242M1A	AML51-F40R-SMK	CAP-INDICATOR	282	1
A242M1DS1	#85	LAMP	282	1
A242M1DS2	#85	LAMP	282	1
A242M2	AML41GBA2	INDICATOR-LIGHTED	282	1
A242M2A	AML51-F40R-FSB	CAP-INDICATOR	282	1
A242M2DS1	#85	LAMP	282	1
A242M2DS2	#85	LAMP	282	1
A242S1	AML24EB2AC05	SWITCH-ROCKER	282	1
A242S1A	AML54-F20K-W	BUTTON-ROCKER SWITCH	282	1
A242S2	AML24EB2AC01	SWITCH-ROCKER	282	1
A242S2A	AML54-F20K-R	BUTTON-ROCKER SWITCH	282	1
A243	122-530279-601	PANEL ASSY-SW & INDICATOR	281	1
A243J1	207443-1	RCPT	281	1
A243J1A	66103-4	PIN CONTACT	281	1
A243M1	AML41GBA2	INDICATOR-LIGHTED	281	1
A243M1A	AML51-F40R-SMK	CAP-INDICATOR	281	1
A243M1DS1	#85	LAMP	281	1

# Beechcraft STARSHIP 1 WIRING DIAGRAM MANUAL



## PASSENGER COMPARTMENT-CABIN LIGHTING

**Beechcraft**  
**STARSHIP 1**  
**WIRING DIAGRAM MANUAL**

REFERENCE DESIGNATOR	PART NUMBER	DESCRIPTION	USABLE	
			INSTL ZONE	ON CODE
33-17-08				
A243M1DS2	#85	LAMP	281	1
A243M2	AML41GBA2	INDICATOR-LIGHTED	281	1
A243M2A	AML51-F40R-FSB	CAP-INDICATOR	281	1
A243M2DS1	#85	LAMP	281	1
A243M2DS2	#85	LAMP	281	1
A243S1	AML24EB2AC05	SWITCH-ROCKER	281	1
A243S1A	AML54-F20K-W	BUTTON-ROCKER SWITCH	281	1
A243S2	AML24EB2AC01	SWITCH-ROCKER	281	1
A243S2A	AML54-F20K-R	BUTTON-ROCKER SWITCH	281	1
A244	122-530279-601	PANEL ASSY-SW & INDICATOR	282	1
A244J1	207443-1	RCPT	282	1
A244J1A	66103-4	PIN CONTACT	282	1
A244M1	AML41GBA2	INDICATOR-LIGHTED	282	1
A244M1A	AML51-F40R-SMK	CAP-INDICATOR	282	1
A244M1DS1	#85	LAMP	282	1
A244M1DS2	#85	LAMP	282	1
A244M2	AML41GBA2	INDICATOR-LIGHTED	282	1
A244M2A	AML51-F40R-FSB	CAP-INDICATOR	282	1
A244M2DS1	#85	LAMP	282	1
A244M2DS2	#85	LAMP	282	1
A244S1	AML24EB2AC05	SWITCH-ROCKER	282	1
A244S1A	AML54-F20K-W	BUTTON-ROCKER SWITCH	282	1
A244S2	AML24EB2AC01	SWITCH-ROCKER	282	1
A244S2A	AML54-F20K-R	BUTTON-ROCKER SWITCH	282	1

**EFFECTIVITY CODE**

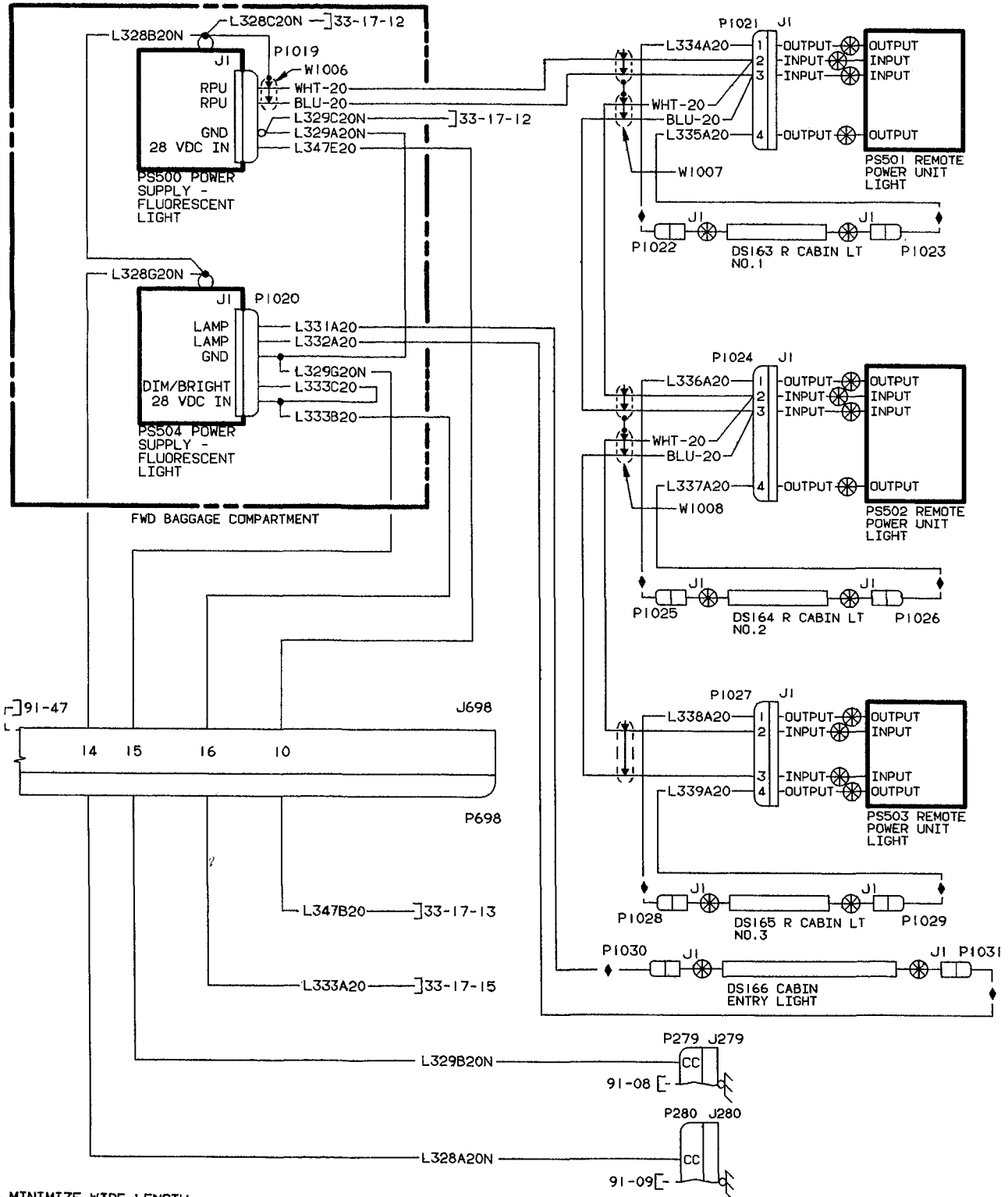
1. NC-4 THRU NC-20

**Beechcraft**  
**STARSHIP 1**  
**WIRING DIAGRAM MANUAL**

**33-17-09**

**NC-21 & AFTER**

# Beechcraft STARSHIP 1 WIRING DIAGRAM MANUAL



## PASSENGER COMPARTMENT-CABIN LIGHTING



**Beechcraft**  
**STARSHIP 1**  
**WIRING DIAGRAM MANUAL**

REFERENCE DESIGNATOR	PART NUMBER	DESCRIPTION	USABLE	
			INSTL ZONE	ON CODE
<b>33-17-09</b>				
DS163	6335-560	LAMP-CAB NO.1,RIGHT	276	1
DS164	6335-430	LAMP-CAB NO.2,RIGHT	276	1
DS165	6335-430	LAMP-CAB NO.3,RIGHT	286	1
DS166	6335-750S	LAMP-CAB ENTRY	276	1
PS500	18-1024-2	POWER SUPPLY-FLUORESCENT LIGHT	272	1
PS501	TR992-12	LIGHT-REMOTE POWER UNIT	272	1
PS502	TR992-12	LIGHT-REMOTE POWER UNIT	272	1
PS503	TR992-12	LIGHT-REMOTE POWER UNIT	282	1
PS504	18-944-2	POWER SUPPLY-FLUORESCENT LIGHT	272	1
P1019	87270-3	PLUG	272	1
P1020	1-87270-2	PLUG	272	1
P1021	350547-2	PLUG	272	1
P1022	350866-1	PLUG	276	1
P1023	350866-1	PLUG	276	1
P1024	350547-2	PLUG	272	1
P1025	350866-1	PLUG	276	1
P1026	350866-1	PLUG	276	1
P1027	1-480702-0	PLUG	282	1
P1028	350866-1	PLUG	282	1
P1029	350866-1	PLUG	286	1
P1030	350866-1	PLUG	276	1
P1031	350866-1	PLUG	276	1
W1006	M27500-22TE2T14	CABLE-2 CNDCT	272	1
W1007	M27500-22TE2T14	CABLE-2 CNDCT	272	1
W1008	M27500-22TE2T14	CABLE-2 CNDCT	272	1

**EFFECTIVITY CODE**

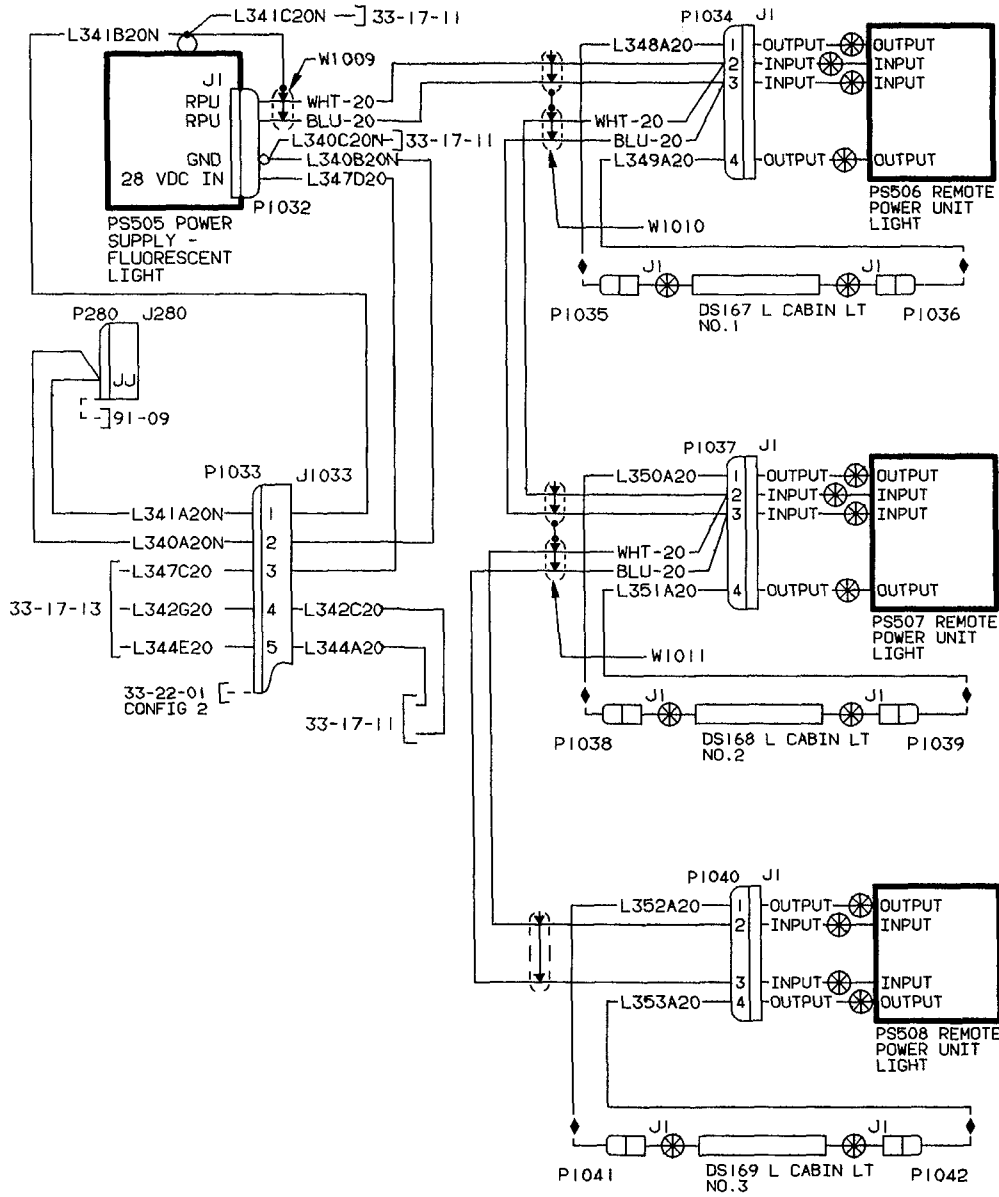
1. NC-21 & AFTER

**Beechcraft**  
**STARSHIP 1**  
**WIRING DIAGRAM MANUAL**

# **33-17-10**

**NC-21 & AFTER**

# Beechcraft STARSHIP 1 WIRING DIAGRAM MANUAL



◆ WIRE LENGTH BETWEEN POWER SUPPLY & LAMPS SHOULD BE AS SHORT AS POSSIBLE, NOT EXCEEDING 78 IN. IN LENGTH

## PASSENGER COMPARTMENT-CABIN LIGHTING

**Beechcraft**  
**STARSHIP 1**  
**WIRING DIAGRAM MANUAL**

REFERENCE DESIGNATOR	PART NUMBER	DESCRIPTION	USABLE	
			INSTL ZONE	ON CODE
33-17-10				
DS167	6335-430	LAMP-CAB NO.1,LEFT	275	1
DS168	6335-430	LAMP-CAB NO.2,LEFT	275	1
DS169	6335-430	LAMP-CAB NO.3,LEFT	285	1
J1033	207440-1	RCPT	275	1
PS505	18-1024-2	POWER SUPPLY-FLUORESCENT LIGHT	271	1
PS506	TR992-12	LIGHT-REMOTE POWER UNIT	271	1
PS507	TR992-12	LIGHT-REMOTE POWER UNIT	271	1
PS508	TR992-12	LIGHT-REMOTE POWER UNIT	281	1
P1032	87270-3	PLUG	271	1
P1033	207439-1	PLUG	275	1
P1034	1-480702-0	PLUG	271	1
P1035	350866-1	PLUG	275	1
P1036	350866-1	PLUG	275	1
P1037	1-480702-0	PLUG	271	1
P1038	350866-1	PLUG	275	1
P1039	350866-1	PLUG	275	1
P1040	1-480702-0	PLUG	281	1
P1041	350866-1	PLUG	285	1
P1042	350866-1	PLUG	285	1
W1009	M27500-22TE2T14	CABLE-2 CNDCT	271	1
W1010	M27500-22TE2T14	CABLE-2 CNDCT	271	1
W1011	M27500-22TE2T14	CABLE-2 CNDCT	281	1

**EFFECTIVITY CODE**

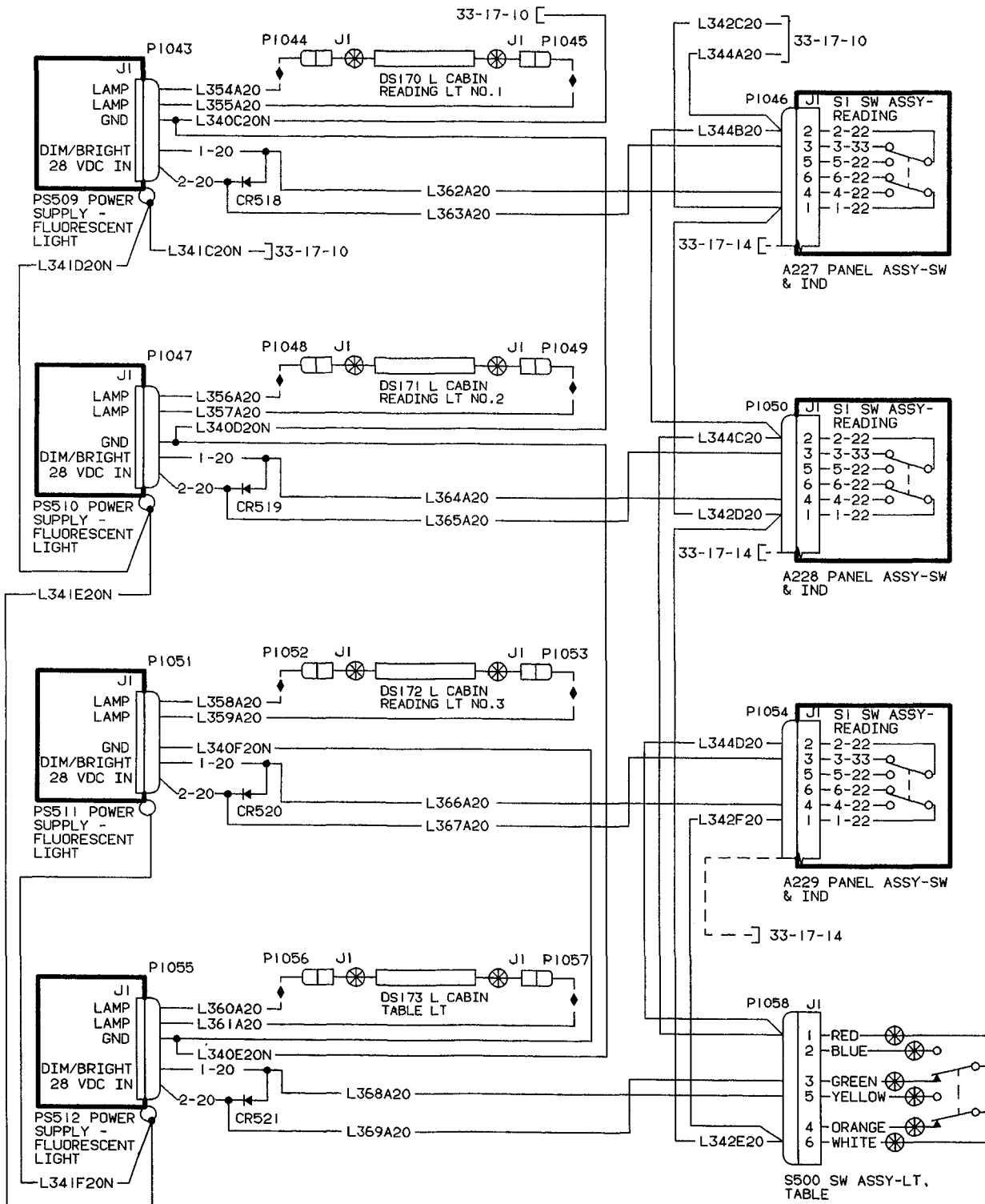
1. NC-21 & AFTER

**Beechcraft**  
**STARSHIP 1**  
**WIRING DIAGRAM MANUAL**

# **33-17-11**

**NC-21 & AFTER**

# Beechcraft STARSHIP 1 WIRING DIAGRAM MANUAL



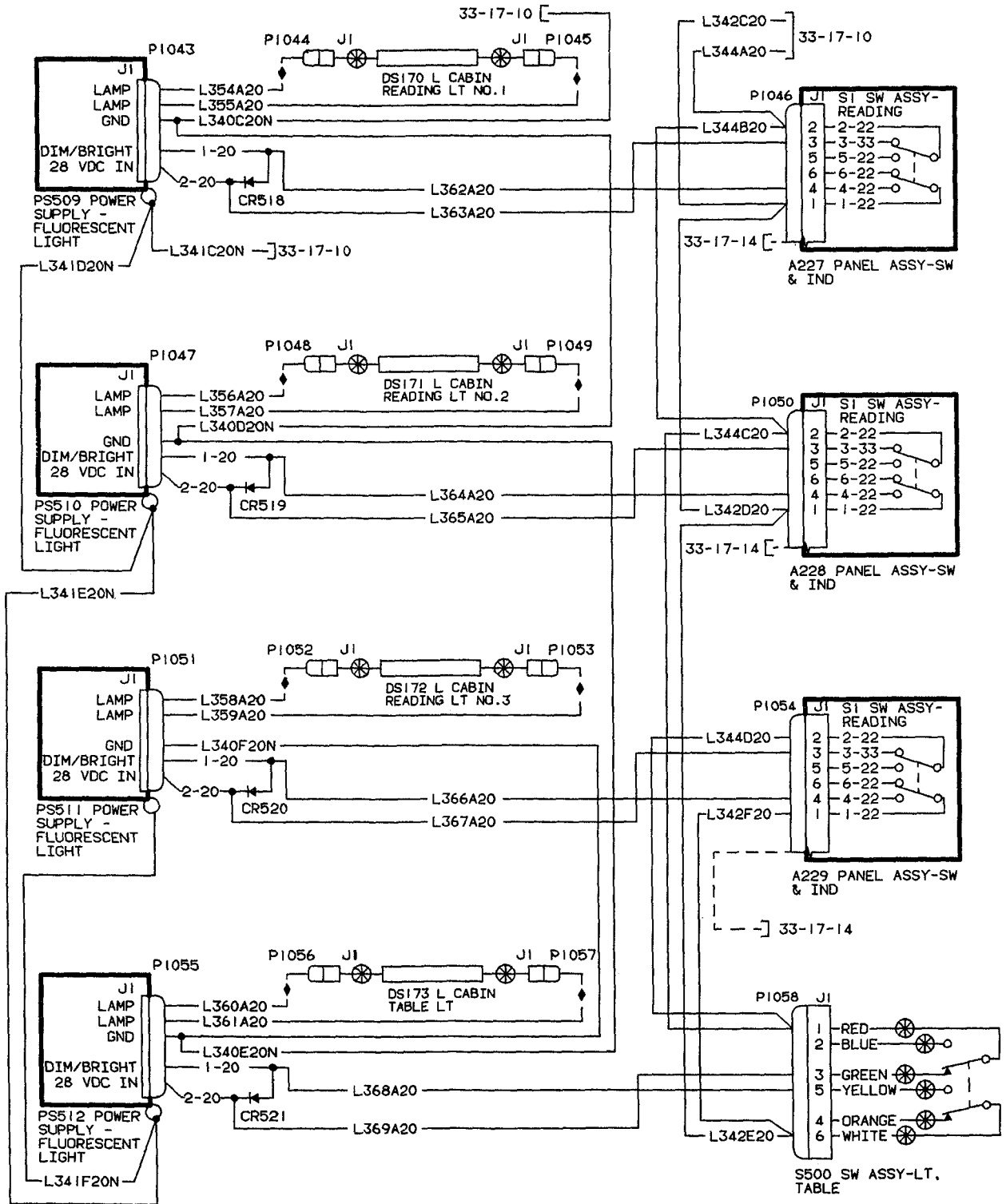
♦ WIRE LENGTH BETWEEN POWER SUPPLY & LAMPS SHOULD BE AS SHORT AS POSSIBLE, NOT TO EXCEED 78 INCHES.

## PASSENGER COMPARTMENT-CABIN LIGHTING

**Beechcraft**  
**STARSHIP 1**  
**WIRING DIAGRAM MANUAL**

REFERENCE DESIGNATOR	PART NUMBER	DESCRIPTION	USABLE	
			INSTL ZONE	ON CODE
33-17-11				
A227	122-530359-609	PANEL ASSY-SW & INDICATOR	271	1
A227J1	207018-1	RCPT	271	1
A227J1A	66103-4	PIN CONTACT	271	1
A227S1	AML24EB2AC01	SWITCH-ROCKER	271	1
A227S1A	AML54-F20K-R	BUTTON-ROCKER SWITCH	271	1
A228	122-530359-609	PANEL ASSY-SW & INDICATOR	271	1
A228J1	207018-1	RCPT	271	1
A228J1A	66103-4	PIN CONTACT	271	1
A228S1	AML24EB2AC01	SWITCH-ROCKER	271	1
A228S1A	AML54-F20K-R	BUTTON-ROCKER SWITCH	271	1
A229	122-530359-609	PANEL ASSY-SW & INDICATOR	281	1
A229J1	207018-1	RCPT	281	1
A229J1A	66103-4	PIN CONTACT	281	1
A229S1	AML24EB2AC01	SWITCH-ROCKER	281	1
A229S1A	AML54-F20K-R	BUTTON-ROCKER SWITCH	281	1
CR518	MR510	DIODE	271	1
CR519	MR510	DIODE	271	1
CR520	MR510	DIODE	281	1
CR521	MR510	DIODE	271	1
DS170	6335-430	LAMP-CABIN READING NO.1,LEFT	275	1
DS171	6335-430	LAMP-CABIN READING NO.2,LEFT	275	1
DS172	6335-430	LAMP-CABIN READING NO.3,LEFT	285	1
DS173	6335-430	LAMP-CABIN TABLE,LEFT	275	1
PS509	18-944-2	POWER SUPPLY-FLUORESCENT LIGHT	271	1
PS510	18-944-2	POWER SUPPLY-FLUORESCENT LIGHT	271	1
PS511	18-944-2	POWER SUPPLY-FLUORESCENT LIGHT	281	1
PS512	18-944-2	POWER SUPPLY-FLUORESCENT LIGHT	271	1
P1043	1-87270-2	PLUG	271	1
P1044	350866-1	PLUG	275	1
P1045	350866-1	PLUG	275	1
P1046	207017-1	PLUG	271	1
P1046A	66105-4	PIN CONTACT	271	1
P1046B	66101-4	PIN CONTACT	271	1
P1047	1-87270-2	PLUG	271	1
P1048	350866-1	PLUG	275	1
P1049	350866-1	PLUG	275	1
P1050	207017-1	PLUG	271	1
P1050A	66105-4	PIN CONTACT	271	1
P1050B	66101-4	PIN CONTACT	271	1
P1051	1-87270-2	PLUG	281	1
P1052	350866-1	PLUG	285	1
P1053	350866-1	PLUG	285	1
P1054	207017-1	PLUG	281	1
P1054A	66105-4	PIN CONTACT	281	1
P1054B	66101-4	PIN CONTACT	281	1
P1055	1-87270-2	PLUG	271	1
P1056	350866-1	PLUG	275	1
P1057	350866-1	PLUG	275	1

# Beechcraft STARSHIP 1 WIRING DIAGRAM MANUAL



◆ WIRE LENGTH BETWEEN POWER SUPPLY & LAMPS SHOULD BE AS SHORT AS POSSIBLE. NOT TO EXCEED 78 INCHES.

## PASSENGER COMPARTMENT-CABIN LIGHTING



Beechcraft  
STARSHIP 1  
WIRING DIAGRAM MANUAL

REFERENCE DESIGNATOR	PART NUMBER	DESCRIPTION	USABLE	
			INSTL ZONE	ON CODE
33-17-11				
P1058	207152-1	PLUG	275	1
S500	122-384120	SW ASSY-TABLE LIGHT	275	1
S500J1	207153-1	RCPT	275	1

EFFECTIVITY CODE

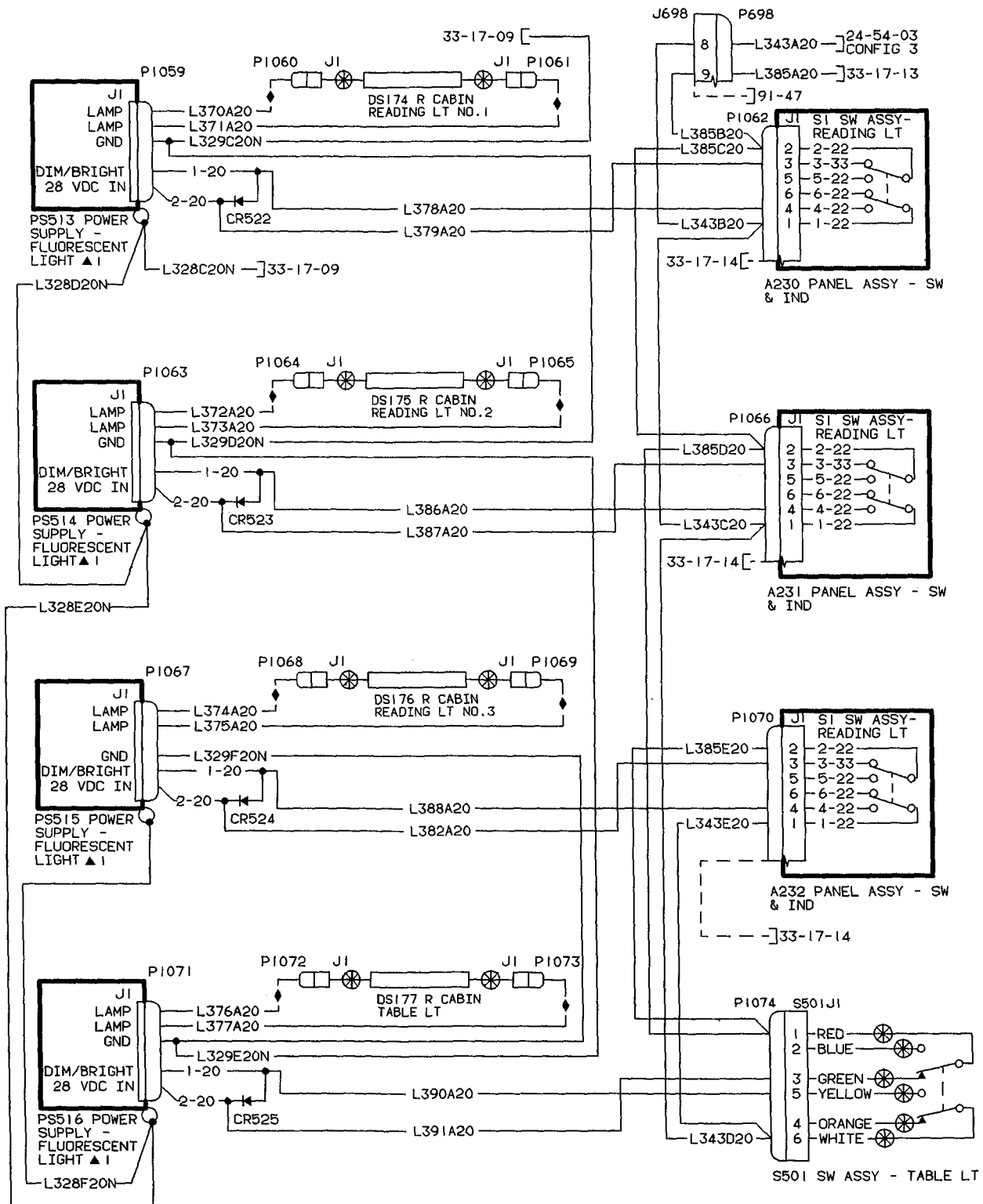
1. NC-21 & AFTER

**Beechcraft**  
**STARSHIP 1**  
**WIRING DIAGRAM MANUAL**

# **33-17-12**

**NC-21 & AFTER**

# Beechcraft STARSHIP 1 WIRING DIAGRAM MANUAL



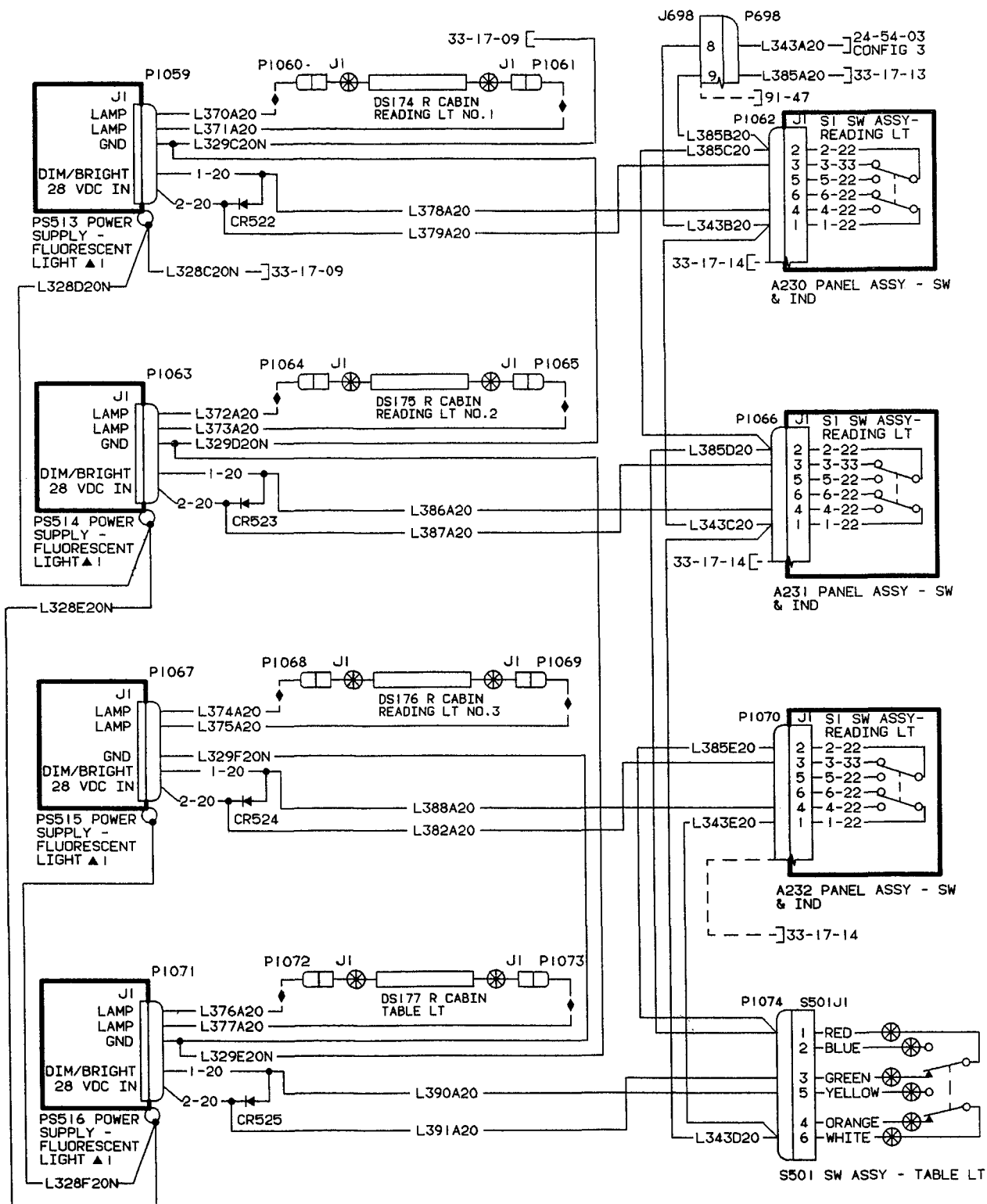
◆ WIRE LENGTH BETWEEN POWER SUPPLY & LAMPS SHOULD BE AS SHORT AS POSSIBLE, NOT TO EXCEED 78 INCHES.

## PASSENGER COMPARTMENT-CABIN LIGHTING

**Beechcraft**  
**STARSHIP 1**  
**WIRING DIAGRAM MANUAL**

REFERENCE DESIGNATOR	PART NUMBER	DESCRIPTION	USABLE	
			INSTL ZONE	ON CODE
33-17-12				
A230	122-530359-609	PANEL ASSY-SW & INDICATOR	272	1
A230J1	207018-1	RCPT	272	1
A230J1A	66103-4	PIN CONTACT	272	1
A230S1	AML24EB2AC01	SWITCH-ROCKER	272	1
A230S1A	AML54-F20K-R	BUTTON-ROCKER SWITCH	272	1
A231	122-530359-609	PANEL ASSY-SW & INDICATOR	272	1
A231J1	207018-1	RCPT	272	1
A231J1A	66103-4	PIN CONTACT	272	1
A231S1	AML24EB2AC01	SWITCH-ROCKER	272	1
A231S1A	AML54-F20K-R	BUTTON-ROCKER SWITCH	272	1
A232	122-530359-609	PANEL ASSY-SW & INDICATOR	282	1
A232J1	207018-1	RCPT	282	1
A232J1A	66103-4	PIN CONTACT	282	1
A232S1	AML24EB2AC01	SWITCH-ROCKER	282	1
A232S1A	AML54-F20K-R	BUTTON-ROCKER SWITCH	282	1
CR522	MR510	DIODE	272	1
CR523	MR510	DIODE	276	1
CR524	MR510	DIODE	282	1
CR525	MR510	DIODE	272	1
DS174	6335-430	LAMP-CABIN READING NO.1,RIGHT	276	1
DS175	6335-430	LAMP-CABIN READING NO.2,RIGHT	276	1
DS176	6335-430	LAMP-CABIN READING NO.3,RIGHT	286	1
DS177	6335-430	LAMP-CABIN TABLE,RIGHT	276	1
PS513	18-944-2	POWER SUPPLY-FLUORESCENT LIGHT	271	1
PS514	18-944-2	POWER SUPPLY-FLUORESCENT LIGHT	271	1
PS515	18-944-2	POWER SUPPLY-FLUORESCENT LIGHT	282	1
PS516	18-944-2	POWER SUPPLY-FLUORESCENT LIGHT	272	1
P1059	1-87270-2	PLUG	271	1
P1060	350866-1	PLUG	276	1
P1061	350866-1	PLUG	276	1
P1062	207017-1	PLUG	272	1
P1062A	66105-4	PIN CONTACT	272	1
P1062B	66101-4	PIN CONTACT	272	1
P1063	1-87270-2	PLUG	271	1
P1064	350866-1	PLUG	276	1
P1065	350866-1	PLUG	276	1
P1066	207017-1	PLUG	272	1
P1066A	66105-4	PIN CONTACT	272	1
P1066B	66101-4	PIN CONTACT	272	1
P1067	1-87270-2	PLUG	282	1
P1068	350866-1	PLUG	286	1
P1069	350866-1	PLUG	286	1
P1070	207017-1	PLUG	282	1
P1070A	66105-4	PIN CONTACT	282	1
P1070B	66101-4	PIN CONTACT	282	1
P1071	1-87270-2	PLUG	272	1
P1072	350866-1	PLUG	276	1
P1073	350866-1	PLUG	276	1

# Beechcraft STARSHIP 1 WIRING DIAGRAM MANUAL



◆ WIRE LENGTH BETWEEN POWER SUPPLY & LAMPS SHOULD BE AS SHORT AS POSSIBLE, NOT TO EXCEED 78 INCHES.

## PASSENGER COMPARTMENT-CABIN LIGHTING

**Beechcraft**  
**STARSHIP 1**  
**WIRING DIAGRAM MANUAL**

REFERENCE DESIGNATOR	PART NUMBER	DESCRIPTION	USABLE	
			INSTL ZONE	ON CODE
33-17-12				
P1074	207152-1	PLUG	276	1
S501	122-384120	SW ASSY-TABLE LIGHT	276	1
S501J1	207153-1	RCPT	276	1

**EFFECTIVITY CODE**

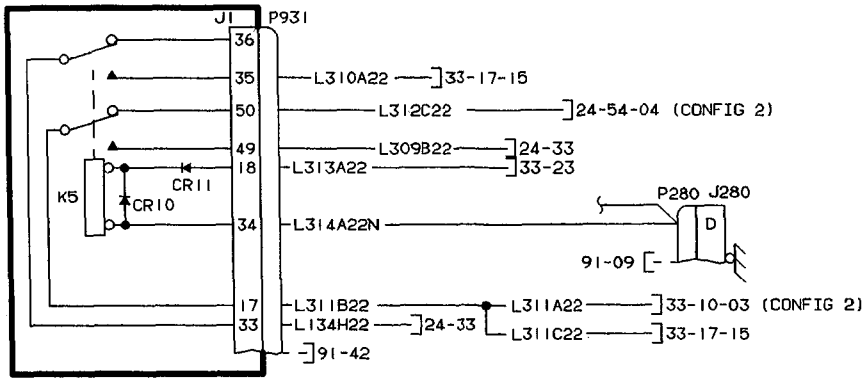
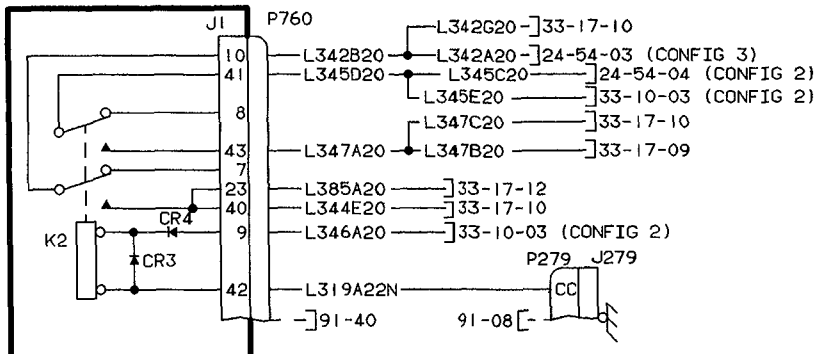
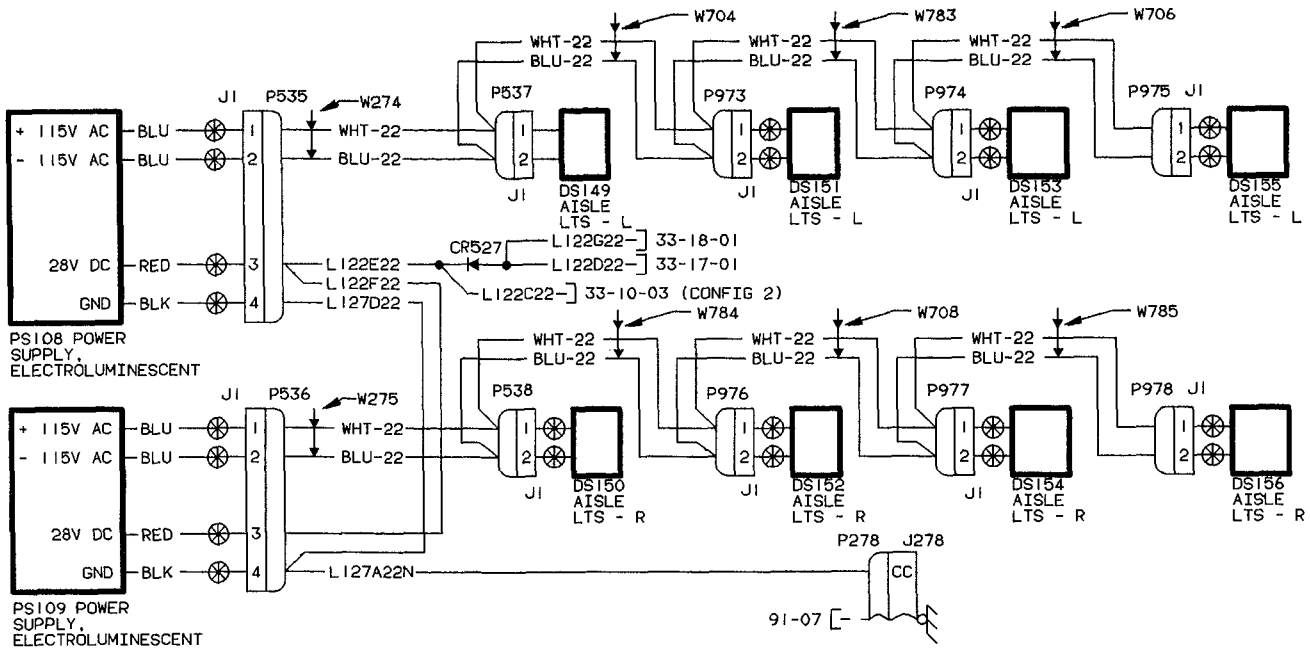
1. NC-21 & AFTER

**Beechcraft**  
**STARSHIP 1**  
**WIRING DIAGRAM MANUAL**

# **33-17-13**

**NC-21 & AFTER**

# Beechcraft STARSHIP 1 WIRING DIAGRAM MANUAL



## PASSENGER COMPARTMENT-CABIN LIGHTING



**Beechcraft**  
**STARSHIP 1**  
**WIRING DIAGRAM MANUAL**

REFERENCE DESIGNATOR	PART NUMBER	DESCRIPTION	USABLE	
			INSTL ZONE	ON CODE
33-17-13				
A182CR3	1N4007	DIODE	237	1
A182CR4	1N4007	DIODE	237	1
A182K2	M39016/6-209L	RELAY	237	1
A211CR10	1N4007	DIODE	237	1
A211CR11	1N4007	DIODE	237	1
A211K5	M39016/6-209L	RELAY	237	1
CR527	MR510	DIODE	281	1
DS149	122-384068-9	LAMP-AISLE,LEFT	282	1
DS149J1	1-480699-0	LIGHT RCPT-AISLE,LEFT	282	1
DS150	122-384068-3	LAMP-AISLE,RIGHT	272	1
DS150J1	1-480699-0	LIGHT RCPT-AISLE,RIGHT	272	1
DS151	122-384068-11	LAMP-AISLE,LEFT	282	1
DS151J1	1-480699-0	LIGHT RCPT-AISLE,LEFT	282	1
DS152	122-384068-4	LAMP-AISLE,RIGHT	272	1
DS152J1	1-480699-0	LIGHT RCPT-AISLE,RIGHT	272	1
DS153	122-384068-13	LAMP-AISLE,LEFT	272	1
DS153J1	1-480699-0	LEFT RCPT-AISLE,LEFT	272	1
DS154	122-384068-5	LAMP-AISLE,RIGHT	272	1
DS154J1	1-480699-0	LIGHT RCPT-AISLE,RIGHT	272	1
DS155	122-384068-15	LAMP-AISLE,LEFT	152	1
DS155J1	1-480699-0	LIGHT RCPT-AISLE,LEFT	152	1
DS156	122-384068-7	LAMP-AISLE,RIGHT	272	1
DS156J1	1-480699-0	LIGHT RCPT-AISLE,RIGHT	272	1
PS108	122-384101-1	POWER SUPPLY-ELECTROLUMINESCENT	175	1
PS109	122-384101-1	POWER SUPPLY-ELECTROLUMINESCENT	175	1
P535	207015-1	PLUG	175	1
P536	207015-1	PLUG	175	1
P537	1-480698-0	PLUG	282	1
P538	1-480698-0	PLUG	272	1
P973	1-480698-0	PLUG	281	1
P974	1-480698-0	PLUG	271	1
P975	1-480698-0	PLUG	151	1
P976	1-480698-0	PLUG	272	1
P977	1-480698-0	PLUG	272	1
P978	1-480698-0	PLUG	272	1
W274	M27500-22TE2U15	CABLE-2 CNDCT	175	1
W275	M27500-22TE2U15	CABLE-2 CNDCT	175	1
W704	M27500-22TE2U15	CABLE-2 CNDCT	175	1
W706	M27500-22TE2U15	CABLE-2 CNDCT	151	1
W708	M27500-22TE2U15	CABLE-2 CNDCT	272	1
W783	M27500-22TE2U15	CABLE-2 CNDCT	271	1
W784	M27500-22TE2U15	CABLE-2 CNDCT	271	1
W785	M27500-22TE2U15	CABLE-2 CNDCT	152	1

**EFFECTIVITY CODE**

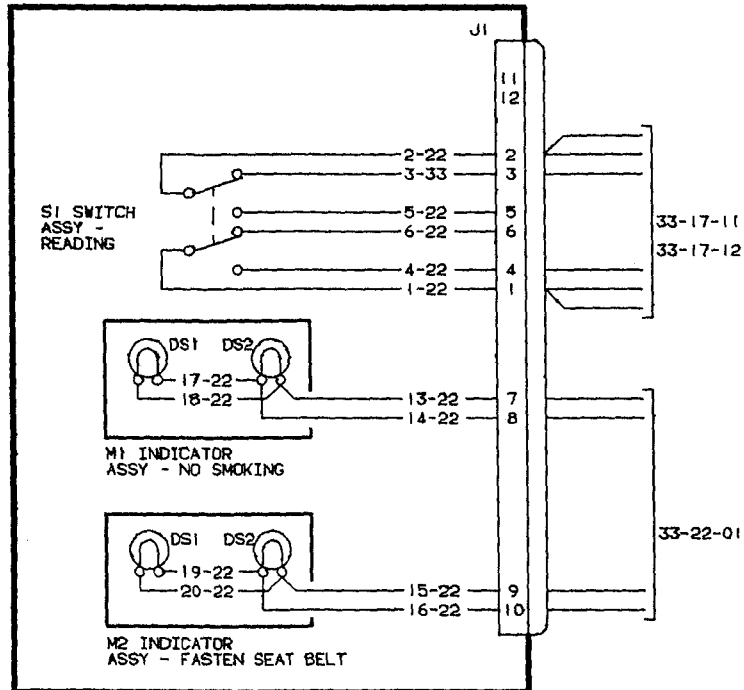
1. NC-21 & AFTER

**Beechcraft**  
**STARSHIP 1**  
**WIRING DIAGRAM MANUAL**

# **33-17-14**

**NC-21 & AFTER**

# Beechcraft STARSHIP 1 WIRING DIAGRAM MANUAL



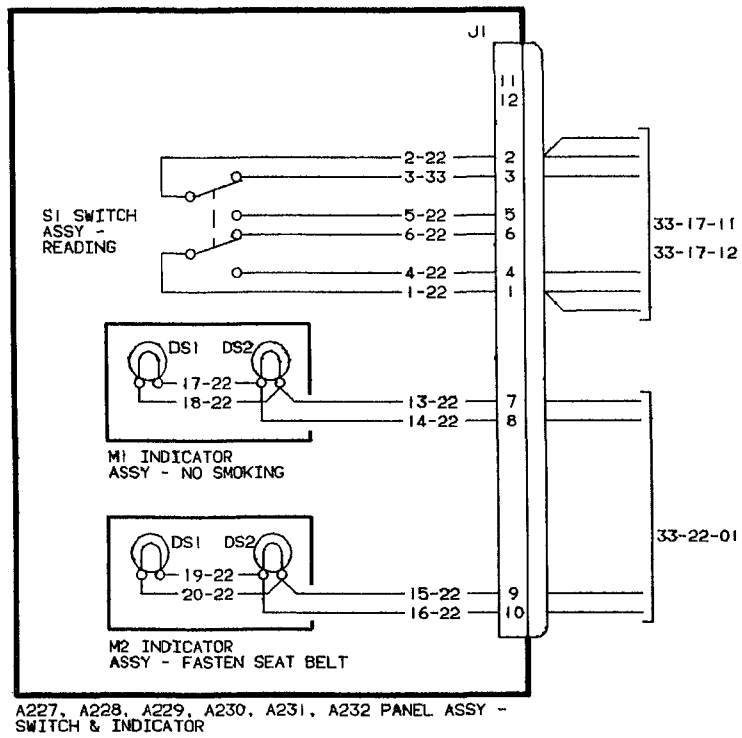
A227, A228, A229, A230, A231, A232 PANEL ASSY - SWITCH & INDICATOR

## PASSENGER COMPARTMENT-CABIN LIGHTING

**Beechcraft**  
**STARSHIP 1**  
**WIRING DIAGRAM MANUAL**

REFERENCE DESIGNATOR	PART NUMBER	DESCRIPTION	USABLE	
			INSTL ZONE	ON CODE
33-17-14				
A227	122-530359-609	PANEL ASSY-SW & INDICATOR	271	1
A227J1	207018-1	RCPT	271	1
A227J1A	66103-4	PIN CONTACT	271	1
A227M1	AML41GBA2	INDICATOR-LIGHTED	271	1
A227M1A	AML51-F40R-SMK	CAP-INDICATOR	271	1
A227M1DS1	#85	LAMP	271	1
A227M1DS2	#85	LAMP	271	1
A227M2	AML41GBA2	INDICATOR-LIGHTED	271	1
A227M2A	AML51-F40R-FSB	CAP-INDICATOR	271	1
A227M2DS1	#85	LAMP	271	1
A227M2DS2	#85	LAMP	271	1
A227S1	AML24EB2AC01	SWITCH-ROCKER	271	1
A227S1A	AML54-F20K-R	BUTTON-ROCKER SWITCH	271	1
A228	122-530359-609	PANEL ASSY-SW & INDICATOR	271	1
A228J1	207018-1	RCPT	271	1
A228J1A	66103-4	PIN CONTACT	271	1
A228M1	AML41GBA2	INDICATOR-LIGHTED	271	1
A228M1A	AML51-F40R-SMK	CAP-INDICATOR	271	1
A228M1DS1	#85	LAMP	271	1
A228M1DS2	#85	LAMP	271	1
A228M2	AML41GBA2	INDICATOR-LIGHTED	271	1
A228M2A	AML51-F40R-FSB	CAP-INDICATOR	271	1
A228M2DS1	#85	LAMP	271	1
A228M2DS2	#85	LAMP	271	1
A228S1	AML24EB2AC01	SWITCH-ROCKER	271	1
A228S1A	AML54-F20K-R	BUTTON-ROCKER SWITCH	271	1
A229	122-530359-609	PANEL ASSY-SW & INDICATOR	281	1
A229J1	207018-1	RCPT	281	1
A229J1A	66103-4	PIN CONTACT	281	1
A229M1	AML41GBA2	INDICATOR-LIGHTED	281	1
A229M1A	AML51-F40R-SMK	CAP-INDICATOR	281	1
A229M1DS1	#85	LAMP	281	1
A229M1DS2	#85	LAMP	281	1
A229M2	AML41GBA2	INDICATOR-LIGHTED	281	1
A229M2A	AML51-F40R-FSB	CAP-INDICATOR	281	1
A229M2DS1	#85	LAMP	281	1
A229M2DS2	#85	LAMP	281	1
A229S1	AML24EB2AC01	SWITCH-ROCKER	281	1
A229S1A	AML54-F20K-R	BUTTON-ROCKER SWITCH	281	1
A230	122-530359-609	PANEL ASSY-SW & INDICATOR	272	1
A230J1	207018-1	RCPT	272	1
A230J1A	66103-4	PIN CONTACT	272	1
A230M1	AML41GBA2	INDICATOR-LIGHTED	272	1
A230M1A	AML51-F40R-SMK	CAP-INDICATOR	272	1
A230M1DS1	#85	LAMP	272	1
A230M1DS2	#85	LAMP	272	1
A230M2	AML41GBA2	INDICATOR-LIGHTED	272	1
A230M2A	AML51-F40R-FSB	CAP-INDICATOR	272	1

# Beechcraft STARSHIP 1 WIRING DIAGRAM MANUAL



## PASSENGER COMPARTMENT-CABIN LIGHTING

**Beechcraft**  
**STARSHIP 1**  
**WIRING DIAGRAM MANUAL**

REFERENCE DESIGNATOR	PART NUMBER	DESCRIPTION	USABLE	
			INSTL ZONE	ON CODE
33-17-14				
A230M2DS1	#85	LAMP	272	1
A230M2DS2	#85	LAMP	272	1
A230S1	AML24EB2AC01	SWITCH-ROCKER	272	1
A230S1A	AML54-F20K-R	BUTTON-ROCKER SWITCH	272	1
A231	122-530359-609	PANEL ASSY-SW & INDICATOR	272	1
A231J1	207018-1	RCPT	272	1
A231J1A	66103-4	PIN CONTACT	272	1
A231M1	AML41GBA2	INDICATOR-LIGHTED	272	1
A231M1A	AML51-F40R-SMK	CAP-INDICATOR	272	1
A231M1DS1	#85	LAMP	272	1
A231M1DS2	#85	LAMP	272	1
A231M2	AML41GBA2	INDICATOR-LIGHTED	272	1
A231M2A	AML51-F40R-FSB	CAP-INDICATOR	272	1
A231M2DS1	#85	LAMP	272	1
A231M2DS2	#85	LAMP	272	1
A231S1	AML24EB2AC01	SWITCH-ROCKER	272	1
A231S1A	AML54-F20K-R	BUTTON-ROCKER SWITCH	272	1
A232	122-530359-609	PANEL ASSY-SW & INDICATOR	282	1
A232J1	207018-1	RCPT	282	1
A232J1A	66103-4	PIN CONTACT	282	1
A232M1	AML41GBA2	INDICATOR-LIGHTED	282	1
A232M1A	AML51-F40R-SMK	CAP-INDICATOR	282	1
A232M1DS1	#85	LAMP	282	1
A232M1DS2	#85	LAMP	282	1
A232M2	AML41GBA2	INDICATOR-LIGHTED	282	1
A232M2A	AML51-F40R-FSB	CAP-INDICATOR	282	1
A232M2DS1	#85	LAMP	282	1
A232M2DS2	#85	LAMP	282	1
A232S1	AML24EB2AC01	SWITCH-ROCKER	282	1
A232S1A	AML54-F20K-R	BUTTON-ROCKER SWITCH	282	1

**EFFECTIVITY CODE**

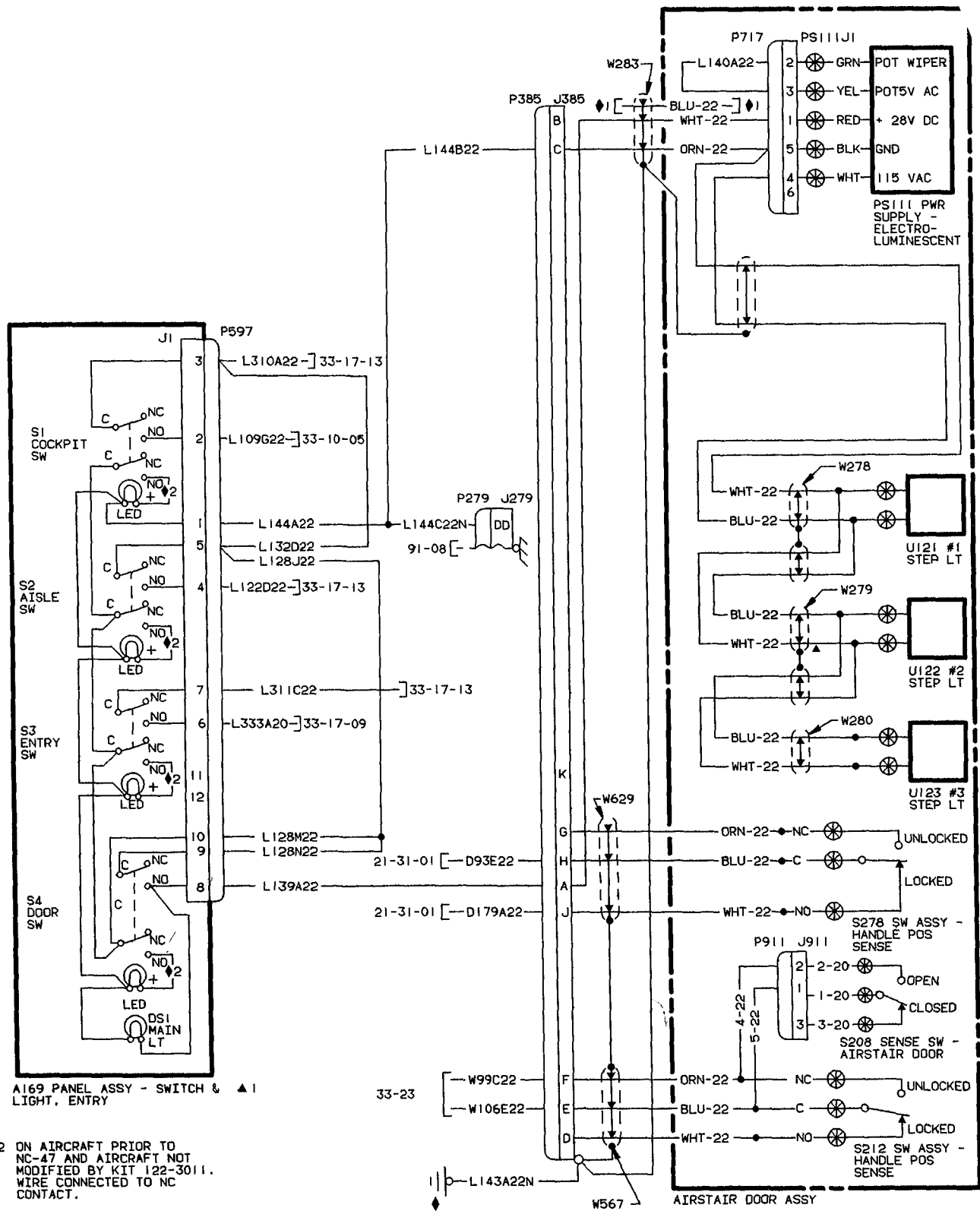
1. NC-21 & AFTER

**Beechcraft**  
**STARSHIP 1**  
**WIRING DIAGRAM MANUAL**

# **33-17-15**

**NC-21 & AFTER**

# Beechcraft STARSHIP 1 WIRING DIAGRAM MANUAL



◆2 ON AIRCRAFT PRIOR TO NC-47 AND AIRCRAFT NOT MODIFIED BY KIT 122-3011. WIRE CONNECTED TO NC CONTACT.

◆1 CAP AND STOW

◆ GROUND NEAR DOOR FRAME

## PASSENGER COMPARTMENT-CABIN & DOOR LIGHTING



**Beechcraft**  
**STARSHIP 1**  
**WIRING DIAGRAM MANUAL**

REFERENCE DESIGNATOR	PART NUMBER	DESCRIPTION	USABLE	
			INSTL ZONE	ON CODE
33-17-15				
A169	122-384081-1	PANEL ASSY-ENTRY SW & LIGHT	271	2
A169	122-384081-3	PANEL ASSY-ENTRY SW & LIGHT	271	3
A169DS1	MS15570-303	MAIN LIGHT	271	1
A169J1	207018-1	RCPT	271	1
A169S1	8940K1251	SWITCH-COCKPIT	271	1
A169S2	8940K1251	SWITCH-AISLE	271	1
A169S3	8940K1251	SWITCH-ENTRY	271	1
A169S4	8940K1251	SWITCH-DOOR	271	1
J385	MS3471L12-10P	RCPT-CABIN DOOR/FUSELAGE BREAK	810	1
J911	207359-1	RCPT-AIRSTAIR DOOR SENSE SW	810	1
PS111	122-384102-1	POWER SUPPLY-ELECTROLUMINESCENT	810	1
PS111	122-364190-1	SPARE FOR 122-384102-1	810	1
P385	MS3476L12-10S	PLUG-CABIN DOOR/FUSELAGE BREAK	810	1
P597	207017-1	PLUG-CABIN ENTRY LIGHT ASSY	271	1
P717	207152-1	PLUG-EL POWER SUPPLY	151	1
P911	207360-1	PLUG-AIRSTAIR DOOR SENSE SW	810	1
S208	1SE1	SW-AIRSTAIR DOOR SENSE	810	1
S212	1SE1	SW ASSY-HANDLE POSITION SENSE	810	1
S278	1SE1	SW ASSY-HANDLE POSITION SENSE	810	1
U121	122-384069-1	LIGHT-#1 STEP	810	1
U122	122-384069-1	LIGHT-#2 STEP	810	1
U123	122-384069-1	LIGHT-#3 STEP	810	1
W278	M27500-22TE2T14	CABLE-2 CNDCT	810	1
W279	M27500-22TE2T14	CABLE-2 CNDCT	810	1
W280	M27500-22TE2T14	CABLE-2 CNDCT	810	1
W283	M27500-22TE3T14	CABLE-3 CNDCT	810	1
W567	M27500-22TE3T14	CABLE-3 CNDCT	810	1
W629	M27500-22TE3T14	CABLE-3 CNDCT	810	1

**EFFECTIVITY CODE**

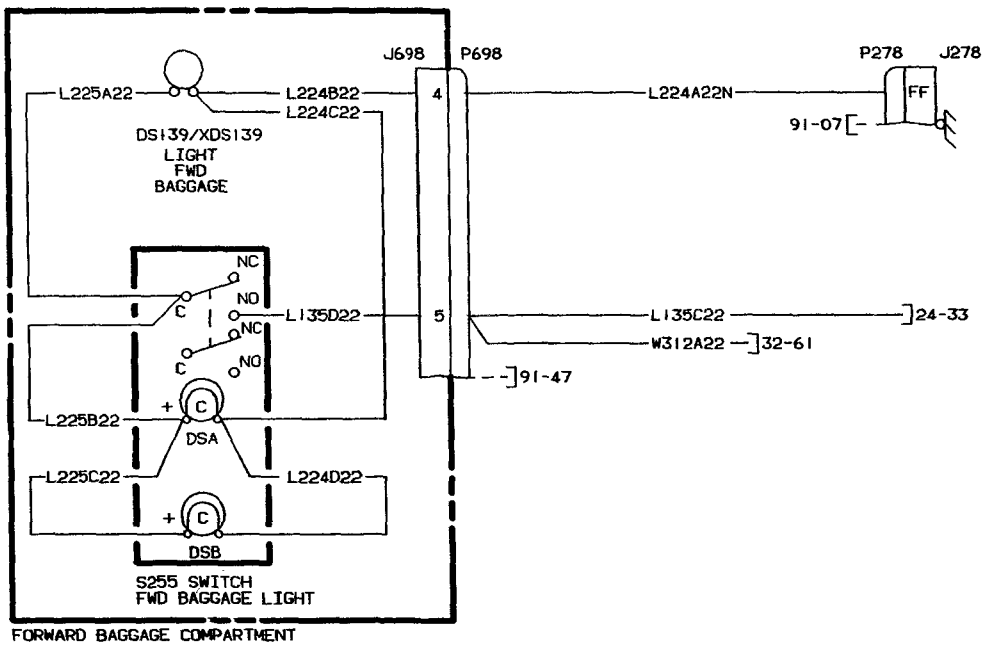
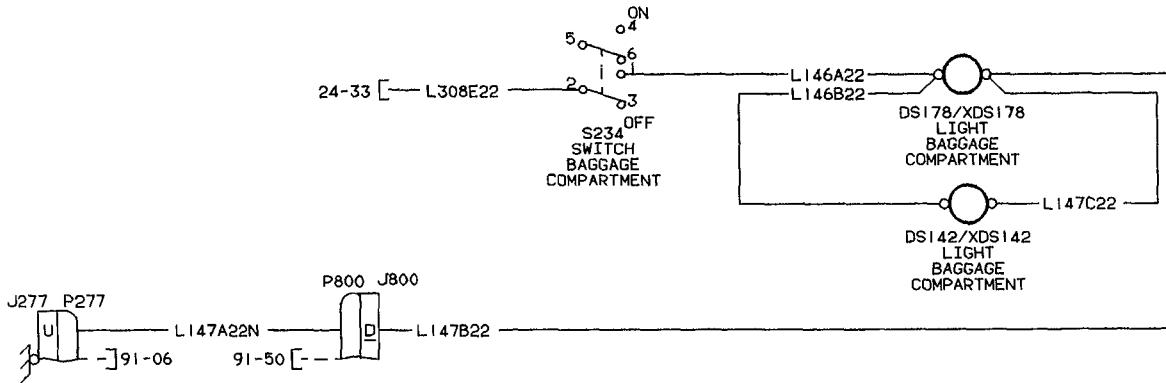
1. NC-21 & AFTER
2. NC-21 THRU NC-46
3. NC-47 & AFTER

**Beechcraft**  
**STARSHIP 1**  
**WIRING DIAGRAM MANUAL**

**33-18-00**

**NC-4 THRU NC-20**

# Beechcraft STARSHIP 1 WIRING DIAGRAM MANUAL



## PASSENGER COMPARTMENT-BAGGAGE & TOILET LIGHTING

**Beechcraft**  
**STARSHIP 1**  
**WIRING DIAGRAM MANUAL**

REFERENCE DESIGNATOR	PART NUMBER	DESCRIPTION	USABLE INSTL ON ZONE CODE
<b>33-18-00</b>			
DS139	1495	LAMP-BAGGAGE COMPARTMENT,FWD	262
DS142	MS15570-303	LAMP-BAGGAGE COMPARTMENT,AFT	291
DS178	MS15570-303	LAMP-BAGGAGE COMPARTMENT,AFT	292
S234	AML24FBA2CA01	SW-BAGGAGE COMPARTMENT	292
S255	122-382035-3	SW-FWD BAGGAGE LAMP	262
XDS139	34170-9-3051F	LIGHT ASSY-FWD BAGGAGE COMPARTMENT	262
XDS142	B-3550-7	LIGHT ASSY-AFT BAGGAGE COMPARTMENT	291
XDS178	B-3550-7	LIGHT ASSY-AFT BAGGAGE COMPARTMENT	292

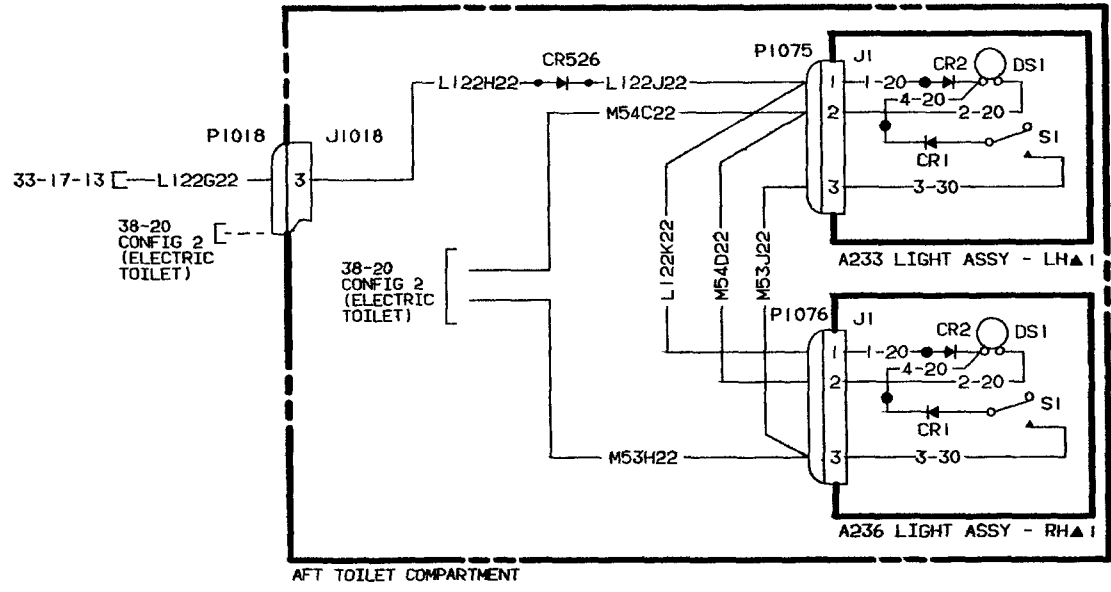
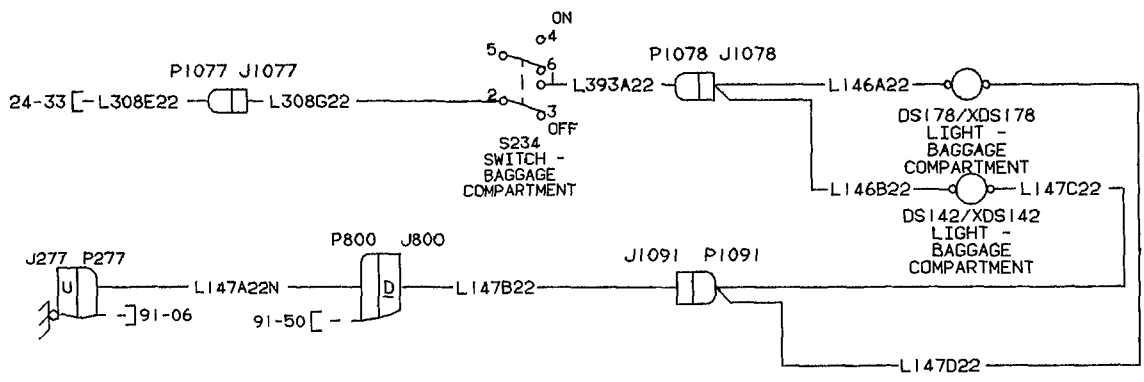
**EFFECTIVITY CODE**

**Beechcraft**  
**STARSHIP 1**  
**WIRING DIAGRAM MANUAL**

# **33-18-01**

**NC-21 & AFTER**

# Beechcraft STARSHIP 1 WIRING DIAGRAM MANUAL



## PASSENGER COMPARTMENT-BAGGAGE & TOILET LIGHTING

**Beechcraft**  
**STARSHIP 1**  
**WIRING DIAGRAM MANUAL**

REFERENCE DESIGNATOR	PART NUMBER	DESCRIPTION	USABLE	
			INSTL ZONE	ON CODE
33-18-01				
A233	122-530371	LIGHT ASSY,LH	285	1
A233CR1	1N4007	DIODE	285	1
A233CR2	1N4007	DIODE	285	1
A233DS1	2520-10	LIGHT	285	1
A233J1	207359-1	RCPT	285	1
A233S1	J20125-31	SWITCH-LEFT LIGHT ASSY	285	1
A236	122-530371	LIGHT ASSY-RH	286	1
A236CR1	1N4007	DIODE	286	1
A236CR2	1N4007	DIODE	286	1
A236DS1	2520-10	LIGHT	286	1
A236J1	207359-1	RCPT-LIGHT ASSY,RH	286	1
A236S1	J20125-31	SWITCH-LIGHT ASSY,RH	286	1
CR526	MR510	DIODE	286	1
DS142	MS15570-303	LIGHT-BAGGAGE COMPARTMENT,AFT	291	1
DS178	MS15570-303	LIGHT-BAGGAGE COMPARTMENT,AFT	292	1
J1018	207359-1	RCPT-AFT ELECTRIC TOILET	282	1
J1077	1-350868-0	RCPT	172	1
J1078	1-350688-0	RCPT	292	1
J1091	1-350688-0	RCPT	291	1
P1018	207360-1	PLUG-AFT ELECTRIC TOILET	282	1
P1075	207360-1	PLUG	285	1
P1076	207360-1	PLUG-RH LIGHT ASSY	172	1
P1077	1-350867-0	PLUG	172	1
P1078	1-350687-0	PLUG	292	1
P1091	1-350687-0	PLUG	291	1
S234	AML24FBA2CA01	SW-BAGGAGE COMPARTMENT	292	
XDS142	B-3550-7	LIGHT ASSY-AFT BAGGAGE COMPARTMENT	291	1
XDS178	B-3550-7	LIGHT ASSY-AFT BAGGAGE COMPARTMENT	292	

**EFFECTIVITY CODE**

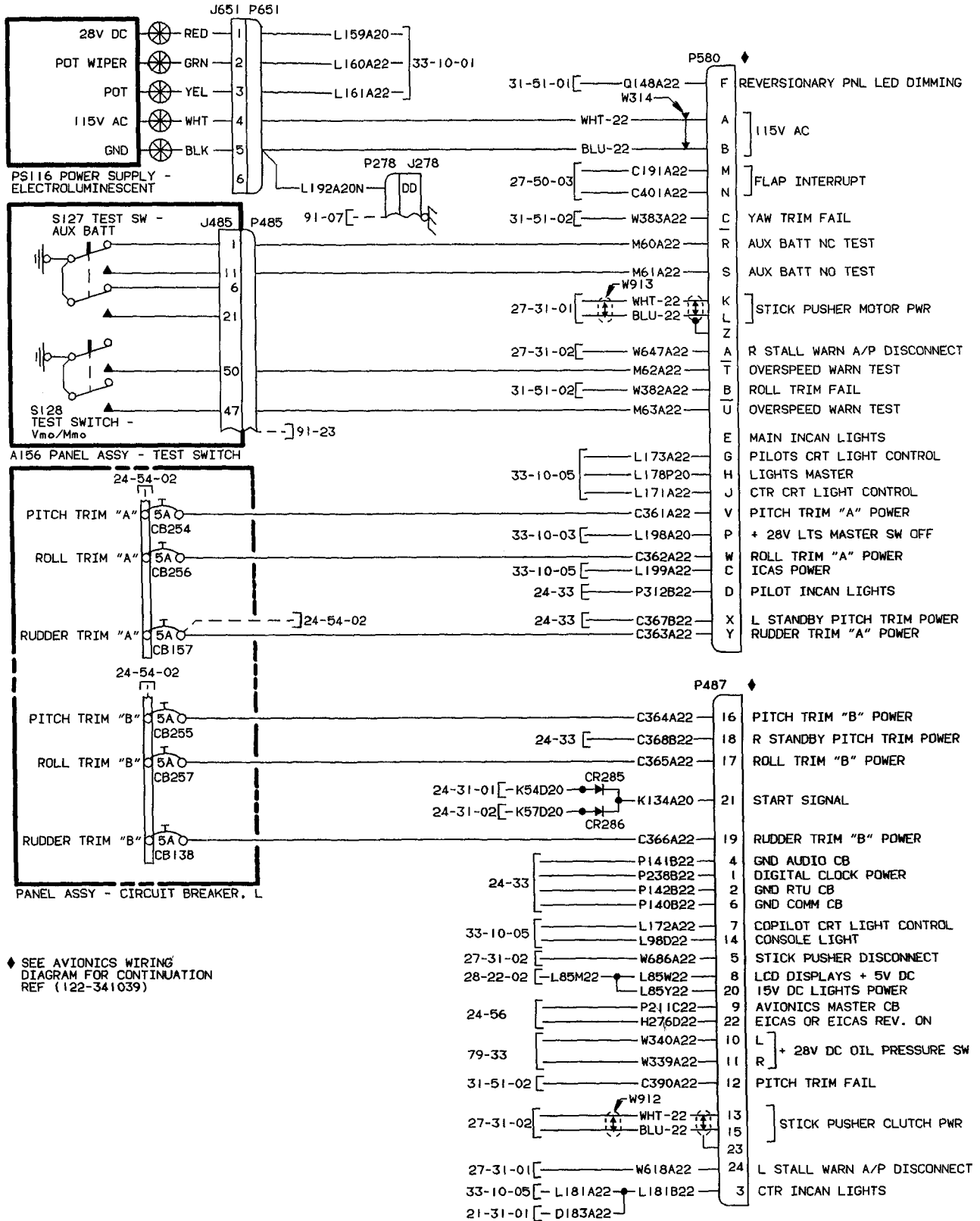
1. NC-21 & AFTER

Beechcraft  
STARSHIP 1  
WIRING DIAGRAM MANUAL

**33-19-00**



# Beechcraft STARSHIP 1 WIRING DIAGRAM MANUAL



◆ SEE AVIONICS WIRING DIAGRAM FOR CONTINUATION REF (122-341039)

## FLIGHT COMPARTMENT-INSTRUMENT LIGHTING

**Beechcraft**  
**STARSHIP 1**  
**WIRING DIAGRAM MANUAL**

REFERENCE DESIGNATOR	PART NUMBER	DESCRIPTION	USABLE INSTL ON ZONE CODE
33-19-00			
CB138	131984-5	CB-RUDDER TRIM B	236
CB157	131984-5	CB-RUDDER TRIM A	236
CB254	131984-5	CB-PITCH TRIM A	236
CB255	131984-5	CB-PITCH TRIM B	236
CB256	131984-5	CB-ROLL TRIM A	236
CB257	131984-5	CB-ROLL TRIM B	236
CR285	1N4007	DIODE	251
CR286	1N4007	DIODE	251
J651	207153-1	RCPT	143
PS116	122-364190-1	POWER SUPPLY-ELECTROLUMINESCENT	143
P487	M83723/75R16246	PLUG	251
P580	MS3476L16-26S	PLUG	251
P651	207152-1	PLUG	143
S127	MB2011SW06BK	SW-AUXILIARY BATTERY TEST	244
S128	MB2061SW06BK	SW-TEST	244
W314	M27500-22TE2U00	CABLE-2 CNDCT	251
W912	M27500-22TE2T14	CABLE-2 CNDCT	221
W913	M27500-22TE2T15	CABLE-2 CNDCT	222

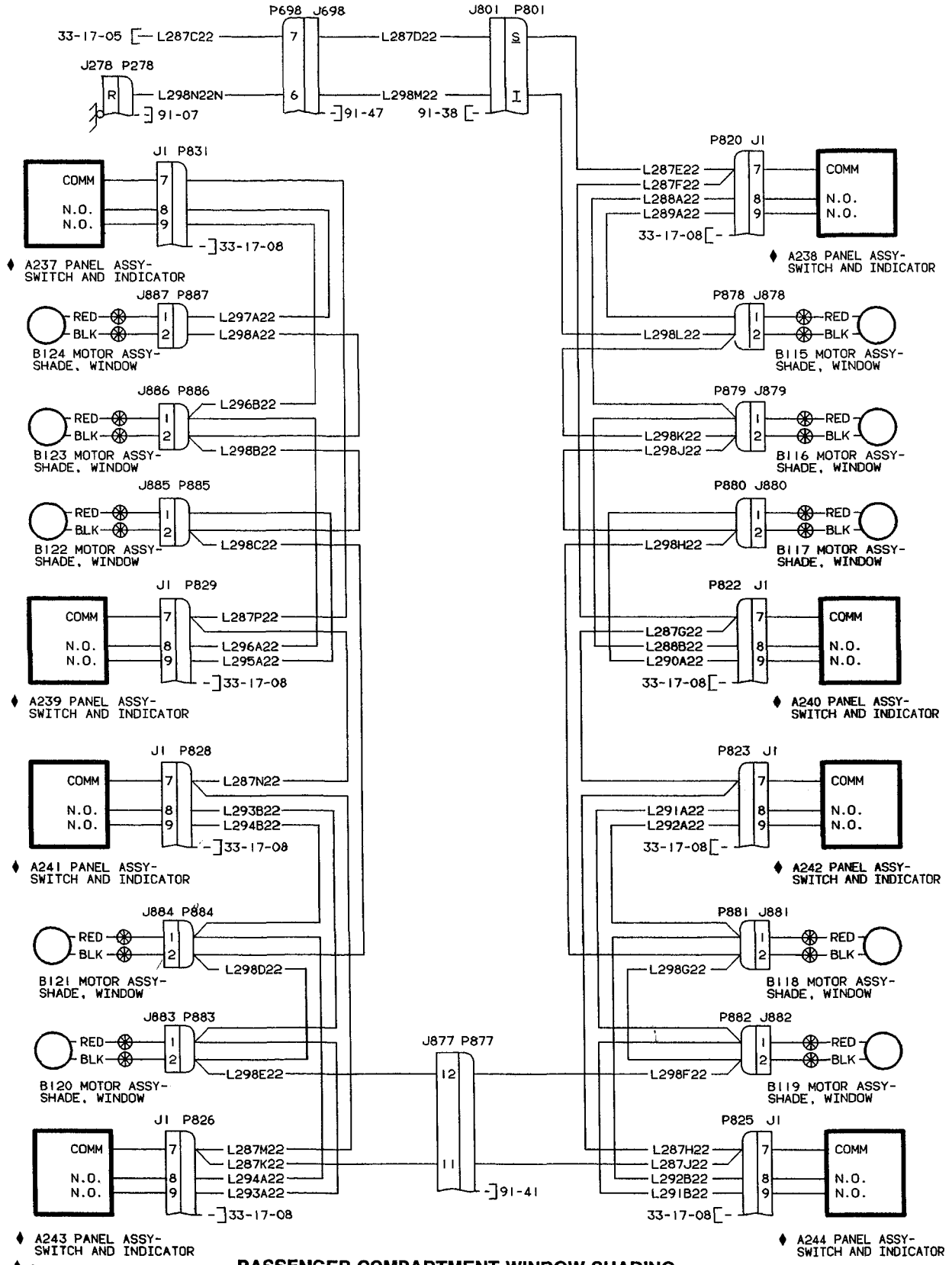
**EFFECTIVITY CODE**

**Beechcraft**  
**STARSHIP 1**  
**WIRING DIAGRAM MANUAL**

# **33-21-00**

NC-4 THRU NC-20

# Beechcraft STARSHIP 1 WIRING DIAGRAM MANUAL



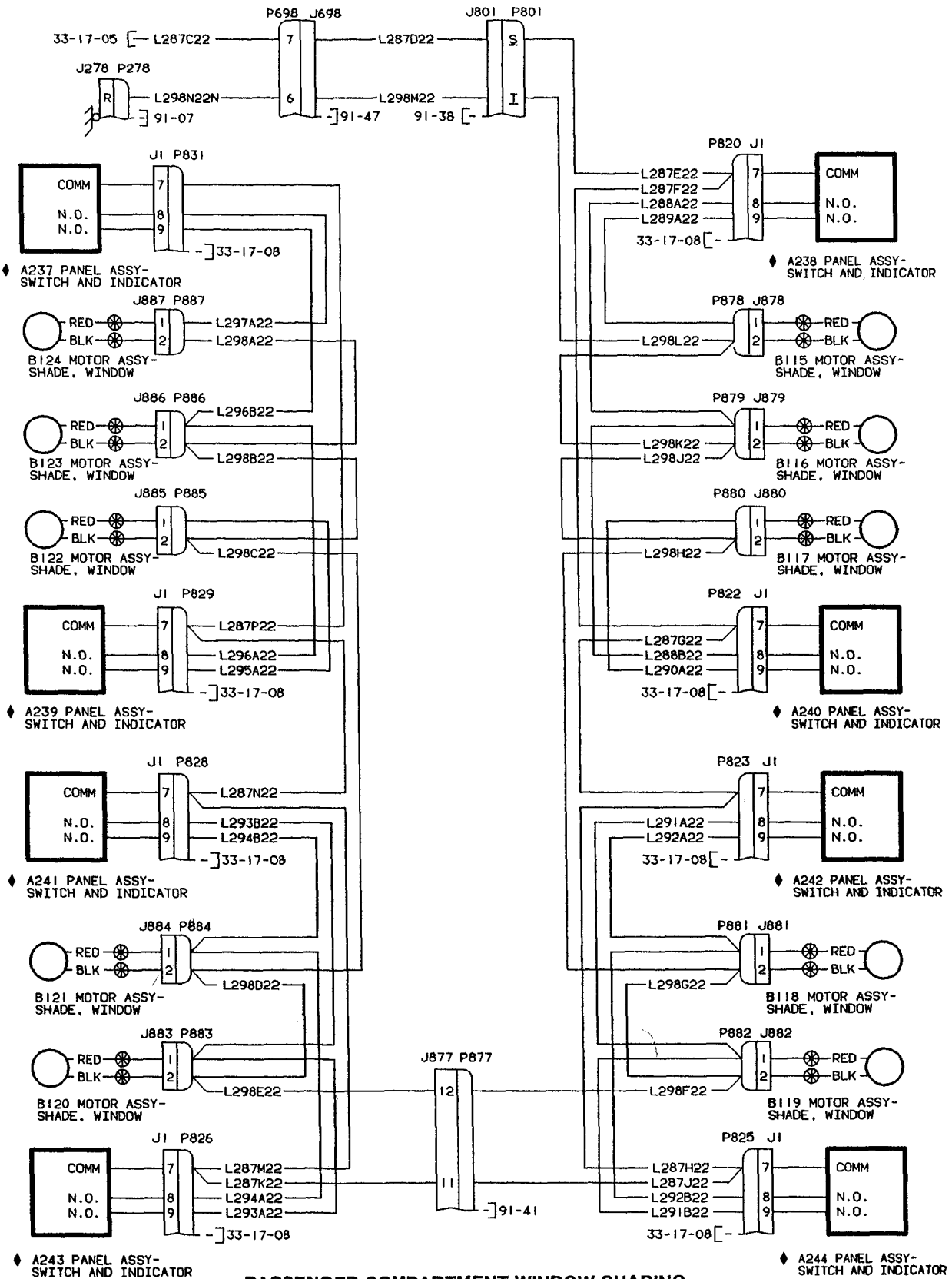
◆ A237 PANEL ASSY-SWITCH AND INDICATOR  
 ◆ A239 PANEL ASSY-SWITCH AND INDICATOR  
 ◆ A241 PANEL ASSY-SWITCH AND INDICATOR  
 ◆ A243 PANEL ASSY-SWITCH AND INDICATOR  
 ◆ SEE SHEET 33-17-08 FOR INTERNAL WIRING OF PANEL ASSEMBLIES

◆ A238 PANEL ASSY-SWITCH AND INDICATOR  
 ◆ A240 PANEL ASSY-SWITCH AND INDICATOR  
 ◆ A242 PANEL ASSY-SWITCH AND INDICATOR  
 ◆ A244 PANEL ASSY-SWITCH AND INDICATOR

**Beechcraft**  
**STARSHIP 1**  
**WIRING DIAGRAM MANUAL**

REFERENCE DESIGNATOR	PART NUMBER	DESCRIPTION	USABLE	
			INSTL ZONE	ON CODE
33-21-00				
A237	122-530279-601	PANEL ASSY-SW & INDICATOR	271	1
A237J1	207443-1	RCPT	271	1
A238	122-530279-601	PANEL ASSY-SW & INDICATOR	272	1
A238J1	207443-1	RCPT	272	1
A239	122-530279-601	PANEL ASSY-SW & INDICATOR	271	1
A239J1	207443-1	RCPT	271	1
A240	122-530279-601	PANEL ASSY-SW & INDICATOR	272	1
A240J1	207443-1	RCPT	272	1
A241	122-530279-601	PANEL ASSY-SW & INDICATOR	281	1
A241J1	207443-1	RCPT	281	1
A242	122-530279-601	PANEL ASSY-SW & INDICATOR	282	1
A242J1	207443-1	RCPT	282	1
A243	122-530279-601	PANEL ASSY-SW & INDICATOR	281	1
A243J1	207443-1	RCPT	281	1
A244	122-530279-601	PANEL ASSY-SW & INDICATOR	282	1
A244J1	207443-1	RCPT	282	1
B115	1616E018SLT	MOTOR ASSY-WINDOW SHADE	276	1
B116	1616E018SLT	MOTOR ASSY-WINDOW SHADE	276	1
B117	1616E018SLT	MOTOR ASSY-WINDOW SHADE	276	1
B118	1616E018SLT	MOTOR ASSY-WINDOW SHADE	286	1
B119	1616E018SLT	MOTOR ASSY-WINDOW SHADE	286	1
B120	1616E018SLT	MOTOR ASSY-WINDOW SHADE	285	1
B121	1616E018SLT	MOTOR ASSY-WINDOW SHADE	285	1
B122	1616E018SLT	MOTOR ASSY-WINDOW SHADE	275	1
B123	1616E018SLT	MOTOR ASSY-WINDOW SHADE	275	1
B124	1616E018SLT	MOTOR ASSY-WINDOW SHADE	275	1
J878	1-480699-0	RCPT	272	1
J879	1-480699-0	RCPT	282	1
J880	1-480699-0	RCPT	282	1
J881	1-480699-0	RCPT	286	1
J882	1-480699-0	RCPT	286	1
J883	1-480699-0	RCPT	285	1
J884	1-480699-0	RCPT	285	1
J885	1-480699-0	RCPT	275	1
J886	1-480699-0	RCPT	275	1
J887	1-480699-0	RCPT	275	1
P820	207442-1	PLUG	272	1
P822	207442-1	PLUG	272	1
P823	207442-1	PLUG	282	1
P825	207442-1	PLUG	282	1
P826	207442-1	PLUG	281	1
P828	207442-1	PLUG	281	1
P829	207442-1	PLUG	271	1
P831	207442-1	PLUG	271	1
P878	1-480698-0	PLUG	276	1
P879	1-480698-0	PLUG	276	1
P880	1-480698-0	PLUG	276	1
P881	1-480698-0	PLUG	286	1

# Beechcraft STARSHIP 1 WIRING DIAGRAM MANUAL



## PASSENGER COMPARTMENT-WINDOW SHADING

◆ A243 PANEL ASSY-SWITCH AND INDICATOR

◆ SEE SHEET 33-17-08 FOR INTERNAL WIRING OF PANEL ASSEMBLIES

◆ A244 PANEL ASSY-SWITCH AND INDICATOR

**Beechcraft**  
**STARSHIP 1**  
**WIRING DIAGRAM MANUAL**

REFERENCE DESIGNATOR	PART NUMBER	DESCRIPTION	USABLE	
			INSTL ZONE	ON CODE
33-21-00				
P882	1-480698-0	PLUG	286	1
P883	1-480698-0	PLUG	285	1
P884	1-480698-0	PLUG	285	1
P885	1-480698-0	PLUG	275	1
P886	1-480698-0	PLUG	275	1
P887	1-480698-0	PLUG	275	1

**EFFECTIVITY CODE**

1. NC-4 THRU NC-20

**Beechcraft**  
**STARSHIP 1**  
**WIRING DIAGRAM MANUAL**

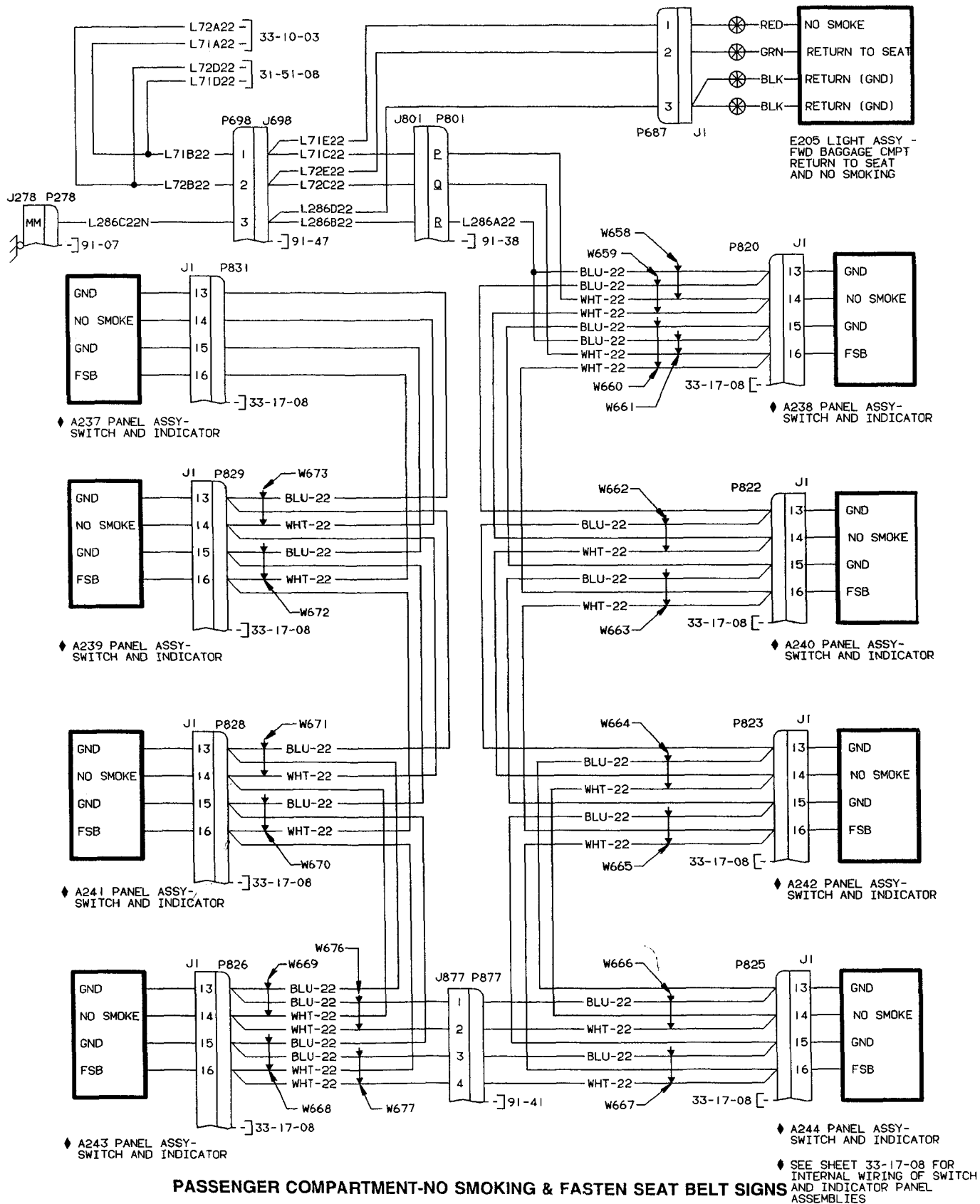
# **33-22-01**

## **Configuration 1**

**NC-4 THRU NC-20**



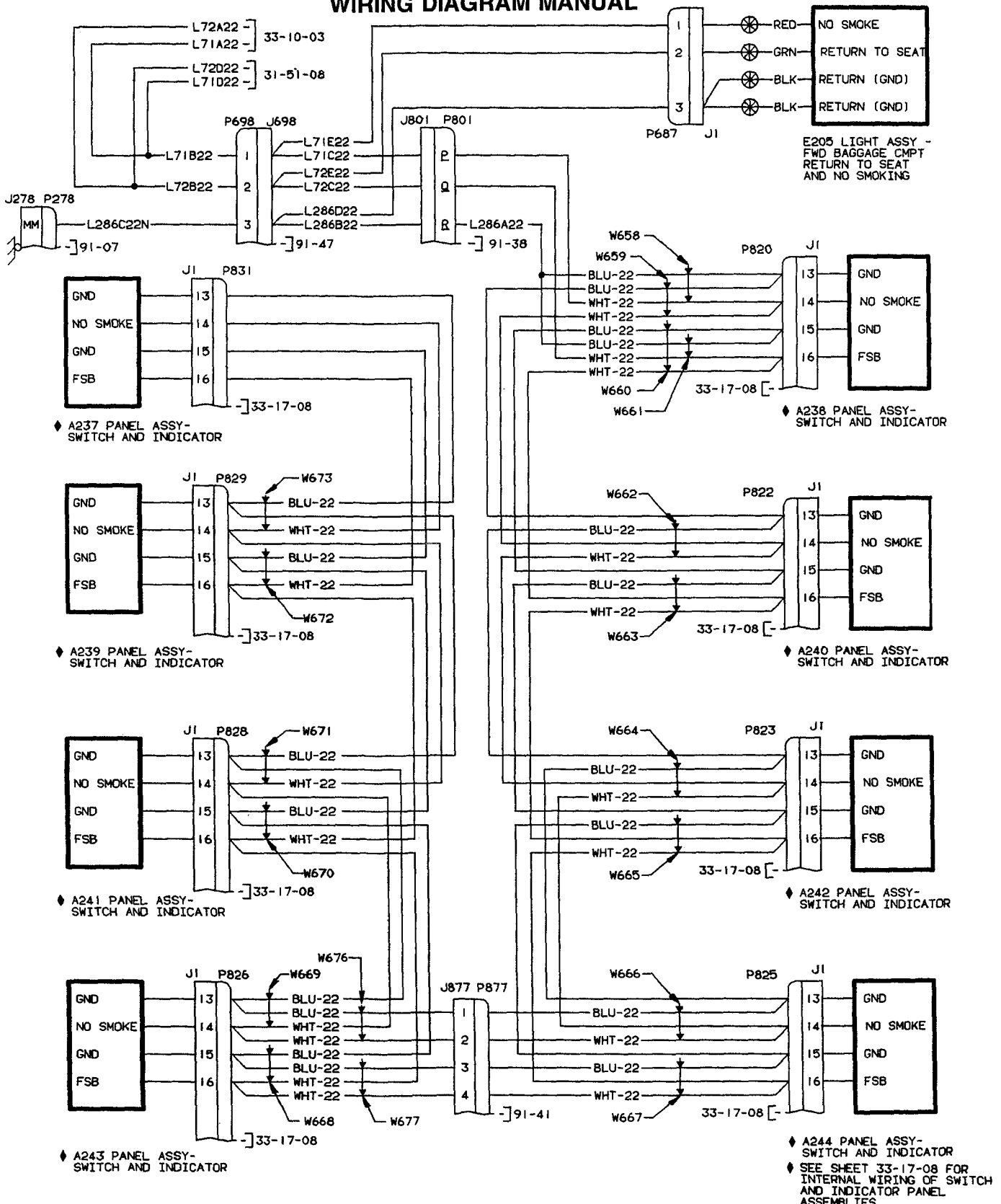
# Beechcraft STARSHIP 1 WIRING DIAGRAM MANUAL



**Beechcraft**  
**STARSHIP 1**  
**WIRING DIAGRAM MANUAL**

REFERENCE DESIGNATOR	PART NUMBER	DESCRIPTION	USABLE	
			INSTL ZONE	ON CODE
<b>33-22-01</b>				
<b>(Configuration 1 )</b>				
A237	122-530279-601	PANEL ASSY-SW & INDICATOR	271	1
A237J1	207443-1	RCPT	271	1
A238	122-530279-601	PANEL ASSY-SW & INDICATOR	272	1
A238J1	207443-1	RCPT	272	1
A239	122-530279-601	PANEL ASSY-SW & INDICATOR	271	1
A239J1	207443-1	RCPT	271	1
A240	122-530279-601	PANEL ASSY-SW & INDICATOR	272	1
A240J1	207443-1	RCPT	272	1
A241	122-530279-601	PANEL ASSY-SW & INDICATOR	281	1
A241J1	207443-1	RCPT	281	1
A242	122-530279-601	PANEL ASSY-SW & INDICATOR	282	1
A242J1	207443-1	RCPT	282	1
A243	122-530279-601	PANEL ASSY-SW & INDICATOR	281	1
A243J1	207443-1	RCPT	281	1
A244	122-530279-601	PANEL ASSY-SW & INDICATOR	282	1
A244J1	207443-1	RCPT	282	1
E205	1202-022	LIGHT ASSY-FWD BAGGAGE COMPARTMENT	276	1
E205J1	207359-1	RCPT	272	1
P687	207360-1	PLUG	272	1
P820	207442-1	PLUG	272	1
P822	207442-1	PLUG	272	1
P823	207442-1	PLUG	282	1
P825	207442-1	PLUG	282	1
P826	207442-1	PLUG	281	1
P828	207442-1	PLUG	281	1
P829	207442-1	PLUG	271	1
P831	207442-1	PLUG	271	1
W658	M27500-22TE2U15	CABLE-2 CNDCT	272	1
W659	M27500-22TE2U15	CABLE-2 CNDCT	272	1
W660	M27500-22TE2U15	CABLE-2 CNDCT	272	1
W661	M27500-22TE2U15	CABLE-2 CNDCT	272	1
W662	M27500-22TE2U15	CABLE-2 CNDCT	272	1
W663	M27500-22TE2U15	CABLE-2 CNDCT	272	1
W664	M27500-22TE2U15	CABLE-2 CNDCT	282	1
W665	M27500-22TE2U15	CABLE-2 CNDCT	282	1
W666	M27500-22TE2U15	CABLE-2 CNDCT	282	1
W667	M27500-22TE2U15	CABLE-2 CNDCT	282	1
W668	M27500-22TE2U15	CABLE-2 CNDCT	281	1
W669	M27500-22TE2U15	CABLE-2 CNDCT	281	1
W670	M27500-22TE2U15	CABLE-2 CNDCT	281	1
W671	M27500-22TE2U15	CABLE-2 CNDCT	281	1
W672	M27500-22TE2U15	CABLE-2 CNDCT	271	1
W673	M27500-22TE2U15	CABLE-2 CNDCT	271	1

# Beechcraft STARSHIP 1 WIRING DIAGRAM MANUAL



**PASSENGER COMPARTMENT-NO SMOKING & FASTEN SEAT BELT SIGNS  
(Configuration 1)**

**Beechcraft**  
**STARSHIP 1**  
**WIRING DIAGRAM MANUAL**

REFERENCE DESIGNATOR	PART NUMBER	DESCRIPTION	USABLE	
			INSTL ZONE	ON CODE
		33-22-01 (Configuration 1)		
W676	M27500-22TE2U15	CABLE-2 CNDCT	281	1

**EFFECTIVITY CODE**

1. NC-4 THRU NC-20

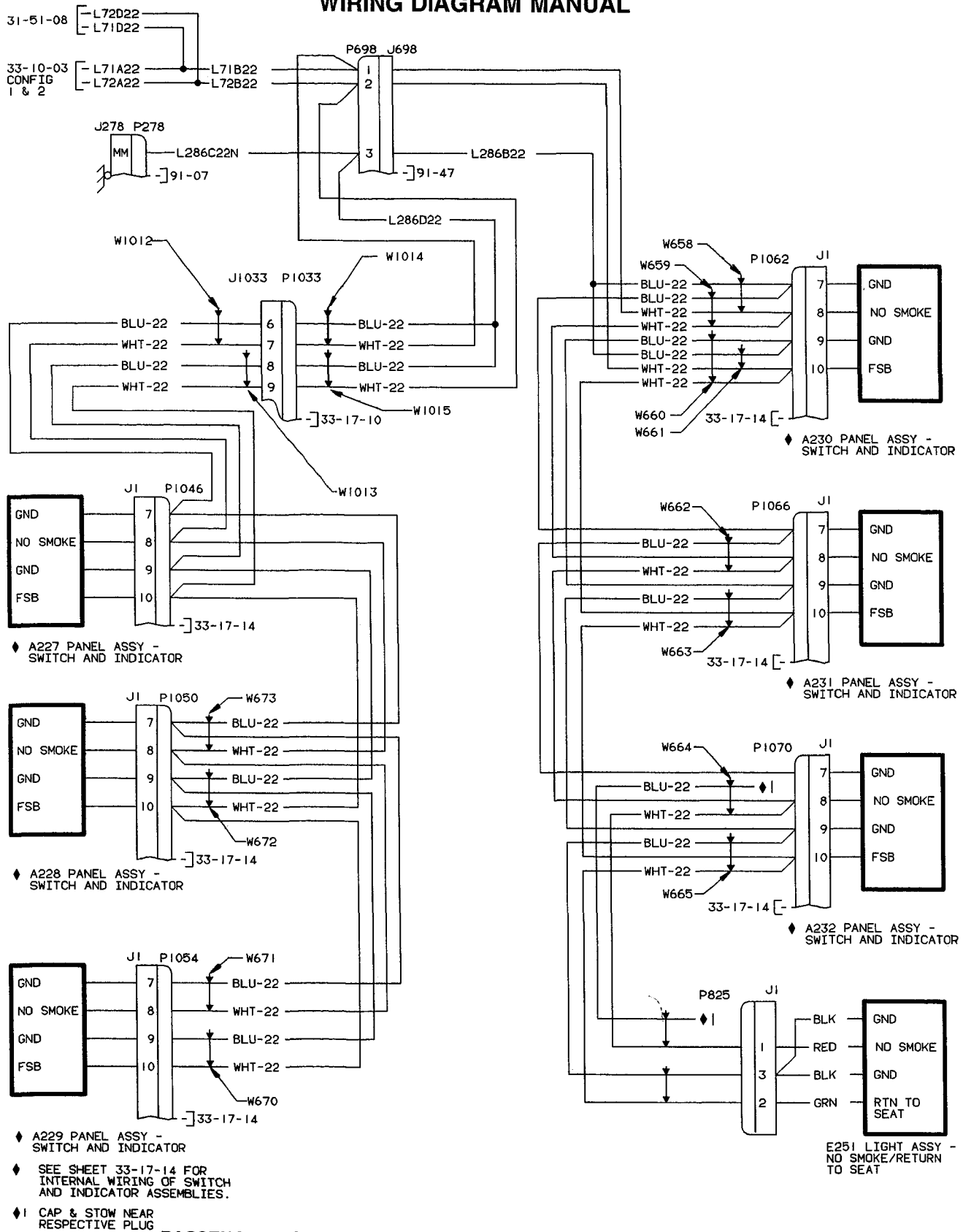
**Beechcraft**  
**STARSHIP 1**  
**WIRING DIAGRAM MANUAL**

# **33-22-01**

## **Configuration 2**

**NC-21 & AFTER**

# Beechcraft STARSHIP 1 WIRING DIAGRAM MANUAL



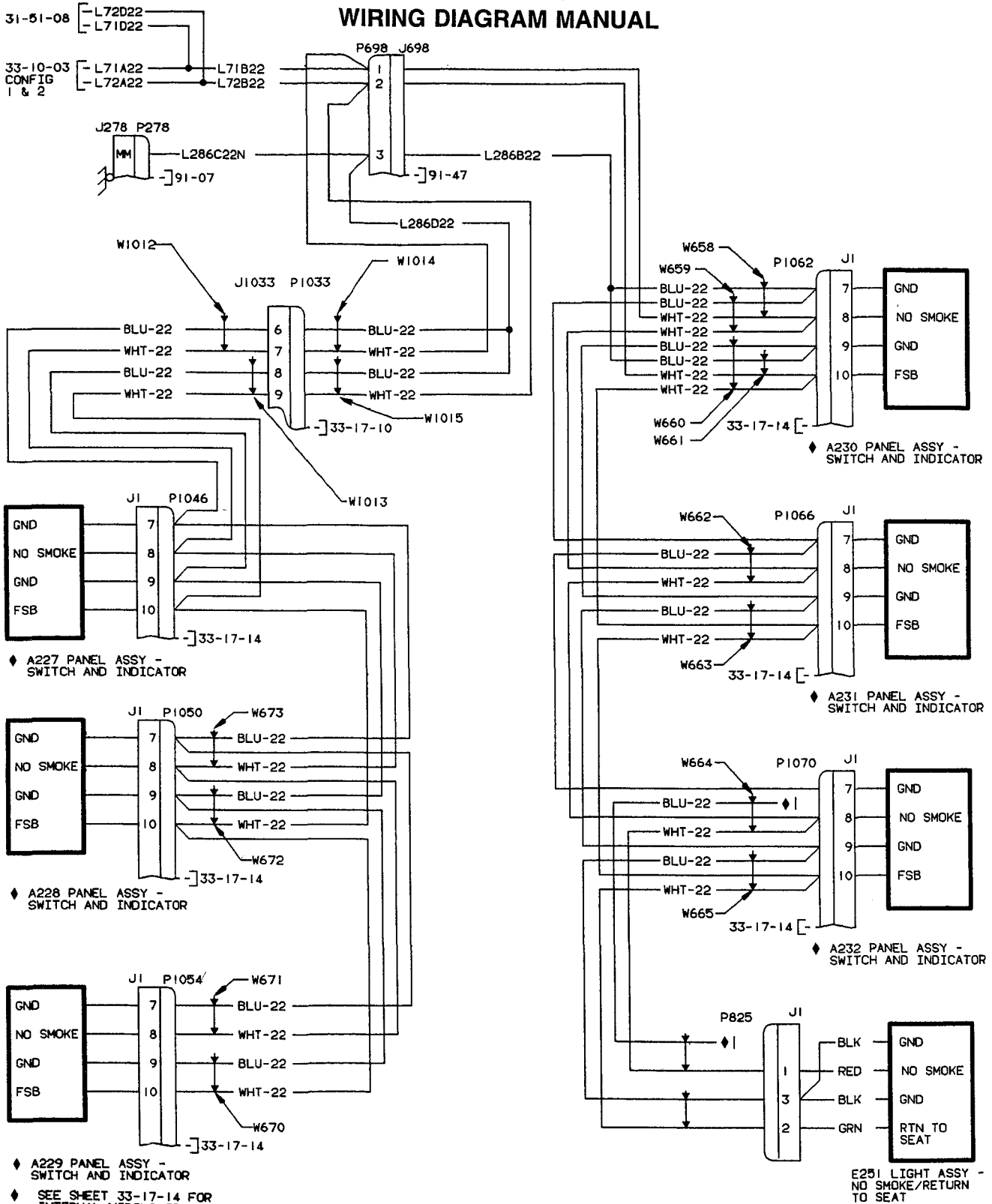
## PASSENGER COMPARTMENT-NO SMOKING & FASTEN SEAT BELT SIGNS (Configuration 2)

**Beechcraft**  
**STARSHIP 1**  
**WIRING DIAGRAM MANUAL**

REFERENCE DESIGNATOR	PART NUMBER	DESCRIPTION	USABLE	
			INSTL ZONE	ON CODE
<b>33-22-01 (Configuration 2 )</b>				
A227	122-530359-609	PANEL ASSY-SW & INDICATOR	271	1
A227J1	207018-1	RCPT	271	1
A227J1A	66103-4	PIN CONTACT	271	1
A228	122-530359-609	PANEL ASSY-SW & INDICATOR	271	1
A228J1	207018-1	RCPT	271	1
A228J1A	66103-4	PIN CONTACT	271	1
A229	122-530359-609	PANEL ASSY-SW & INDICATOR	281	1
A229J1	207018-1	RCPT	281	1
A229J1A	66103-4	PIN CONTACT	281	1
A230	122-530359-609	PANEL ASSY-SW & INDICATOR	272	1
A230J1	207018-1	RCPT	272	1
A230J1A	66103-4	PIN CONTACT	272	1
A231	122-530359-609	PANEL ASSY-SW & INDICATOR	272	1
A231J1	207018-1	RCPT	272	1
A231J1A	66103-4	PIN CONTACT	272	1
A232	122-530359-609	PANEL ASSY-SW & INDICATOR	282	1
A232J1	207018-1	RCPT	282	1
A232J1A	66103-4	PIN CONTACT	282	1
E251	1202-022	LIGHT ASSY-FWD BAGGAGE COMPARTMENT	286	1
E251J1	207359-1	RCPT	286	1
J1033	207440-1	RCPT	275	1
P1033	207439-1	PLUG	275	1
P1046	207017-1	PLUG	271	1
P1046A	66105-4	PIN CONTACT	271	1
P1046B	66101-4	PIN CONTACT	271	1
P1050	207017-1	PLUG	271	1
P1050A	66105-4	PIN CONTACT	271	1
P1050B	66101-4	PIN CONTACT	271	1
P1054	207017-1	PLUG	281	1
P1054A	66105-4	PIN CONTACT	281	1
P1054B	66101-4	PIN CONTACT	281	1
P1062	207017-1	PLUG	272	1
P1062A	66105-4	PIN CONTACT	272	1
P1062B	66101-4	PIN CONTACT	272	1
P1066	207017-1	PLUG	272	1
P1066A	66105-4	PIN CONTACT	272	1
P1066B	66101-4	PIN CONTACT	272	1
P1070	207017-1	PLUG	282	1
P1070A	66105-4	PIN CONTACT	282	1
P1070B	66101-4	PIN CONTACT	282	1
P825	207360-1	PLUG	272	1
W1012	M27500-22TE2U15	CABLE-2 CNDCT	275	1
W1013	M27500-22TE2U15	CABLE-2 CNDCT	275	1
W1014	M27500-22TE2U15	CABLE-2 CNDCT	275	1
W1015	M27500-22TE2U15	CABLE-2 CNDCT	275	1
W658	M27500-22TE2U15	CABLE-2 CNDCT	272	1
W659	M27500-22TE2U15	CABLE-2 CNDCT	272	1
W660	M27500-22TE2U15	CABLE-2 CNDCT	272	1

# Beechcraft STARSHIP 1

## WIRING DIAGRAM MANUAL



PASSENGER COMPARTMENT-NO SMOKING & FASTEN SEAT BELT SIGNS  
(Configuration 2)



Beechcraft  
**STARSHIP 1**  
**WIRING DIAGRAM MANUAL**

REFERENCE DESIGNATOR	PART NUMBER	DESCRIPTION	USABLE	
			INSTL ZONE	ON CODE
33-22-01 (Configuration 2 )				
W661	M27500-22TE2U15	CABLE-2 CNDCT	272	1
W662	M27500-22TE2U15	CABLE-2 CNDCT	272	1
W663	M27500-22TE2U15	CABLE-2 CNDCT	272	1
W664	M27500-22TE2U15	CABLE-2 CNDCT	282	1
W665	M27500-22TE2U15	CABLE-2 CNDCT	282	1
W670	M27500-22TE2U15	CABLE-2 CNDCT	281	1
W671	M27500-22TE2U15	CABLE-2 CNDCT	281	1
W672	M27500-22TE2U15	CABLE-2 CNDCT	271	1
W673	M27500-22TE2U15	CABLE-2 CNDCT	271	1

**EFFECTIVITY CODE**

1. NC-21 & AFTER

**Beechcraft**  
**STARSHIP 1**  
**WIRING DIAGRAM MANUAL**

**33-23-00**



**Beechcraft**  
**STARSHIP 1**  
**WIRING DIAGRAM MANUAL**

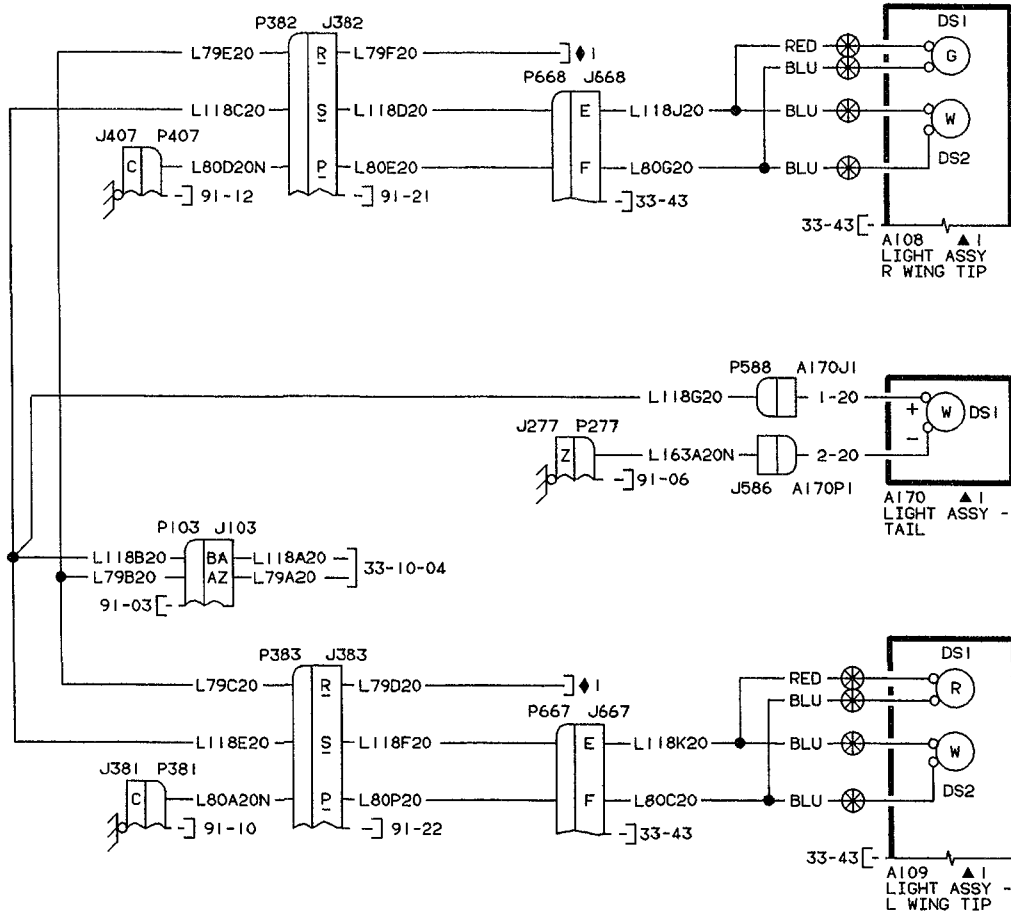
REFERENCE DESIGNATOR	PART NUMBER	DESCRIPTION	USABLE INSTL ON ZONE CODE
<b>33-23-00</b>			
J350	207376-1	RCPT	261
J351	207359-1	RCPT	261
J352	207359-1	RCPT	261
J354	207359-1	RCPT	271
J355	207359-1	RCPT	271
J356	207359-1	RCPT	271
P350	207377-1	PLUG	261
P351	207360-1	PLUG	261
P352	207360-1	PLUG	261
P354	207360-1	PLUG	271
P355	207360-1	PLUG	271
P356	207360-1	PLUG	271
S205	402EN54-B	SW-AIRSTAIR DOOR SENSE	261
S206	402EN53-B	SW-AIRSTAIR DOOR SENSE	261
S207	402EN53-B	SW-AIRSTAIR DOOR SENSE	261
S209	402EN53-B	SW-AIRSTAIR DOOR SENSE	271
S210	402EN53-B	SW-AIRSTAIR DOOR SENSE	271
S211	402EN53-B	SW-AIRSTAIR DOOR SENSE	271
W337	M27500-22TE2T14	CABLE-2 CNDCT	271
W338	M27500-22TE2T14	CABLE-2 CNDCT	271
W339	M27500-22TE2T14	CABLE-2 CNDCT	271
W341	M27500-22TE2T14	CABLE-2 CNDCT	261
W342	M27500-22TE2T14	CABLE-2 CNDCT	261
W343	M27500-22TE2T14	CABLE-2 CNDCT	261

**EFFECTIVITY CODE**

**Beechcraft**  
**STARSHIP 1**  
**WIRING DIAGRAM MANUAL**

**33-42-00**

# Beechcraft STARSHIP 1 WIRING DIAGRAM MANUAL



◆1 CAP & STOW AT WING TIP  
ASSY CONNECTOR.

## EXTERIOR-NAVIGATION LIGHTS

**Beechcraft**  
**STARSHIP 1**  
**WIRING DIAGRAM MANUAL**

REFERENCE DESIGNATOR	PART NUMBER	DESCRIPTION	USABLE INSTL ON ZONE CODE
33-42-00			
A108	A600-PG-D28RH	LIGHT ASSY-RIGHT WING TIP	692
A108DS1	W1290-28	LIGHT	692
A108DS2	A508	LIGHT	692
A109	A600-PR-D28LH	LIGHT ASSY-LEFT WING TIP	592
A109DS1	W1290-28	LIGHT	592
A109DS2	A508	LIGHT	592
A170	101-360021-15	LIGHT ASSY TAIL	340
A170DS1	A-2064-1683	LIGHT	340
A170J1	1-480350-0	RCPT-TAIL LIGHT	340
A170P1	1-480349-0	PLUG-TAIL LIGHT	340
J586	1-480351-0	RCPT-TAIL LIGHT	340
J667	MS3471L10-6P	RCPT	592
J668	MS3471L10-6P	RCPT	692
P588	1-480349-0	PLUG-TAIL LIGHT	340
P667	MS3475L10-6S	PLUG	592
P668	MS3475L10-6S	PLUG	692

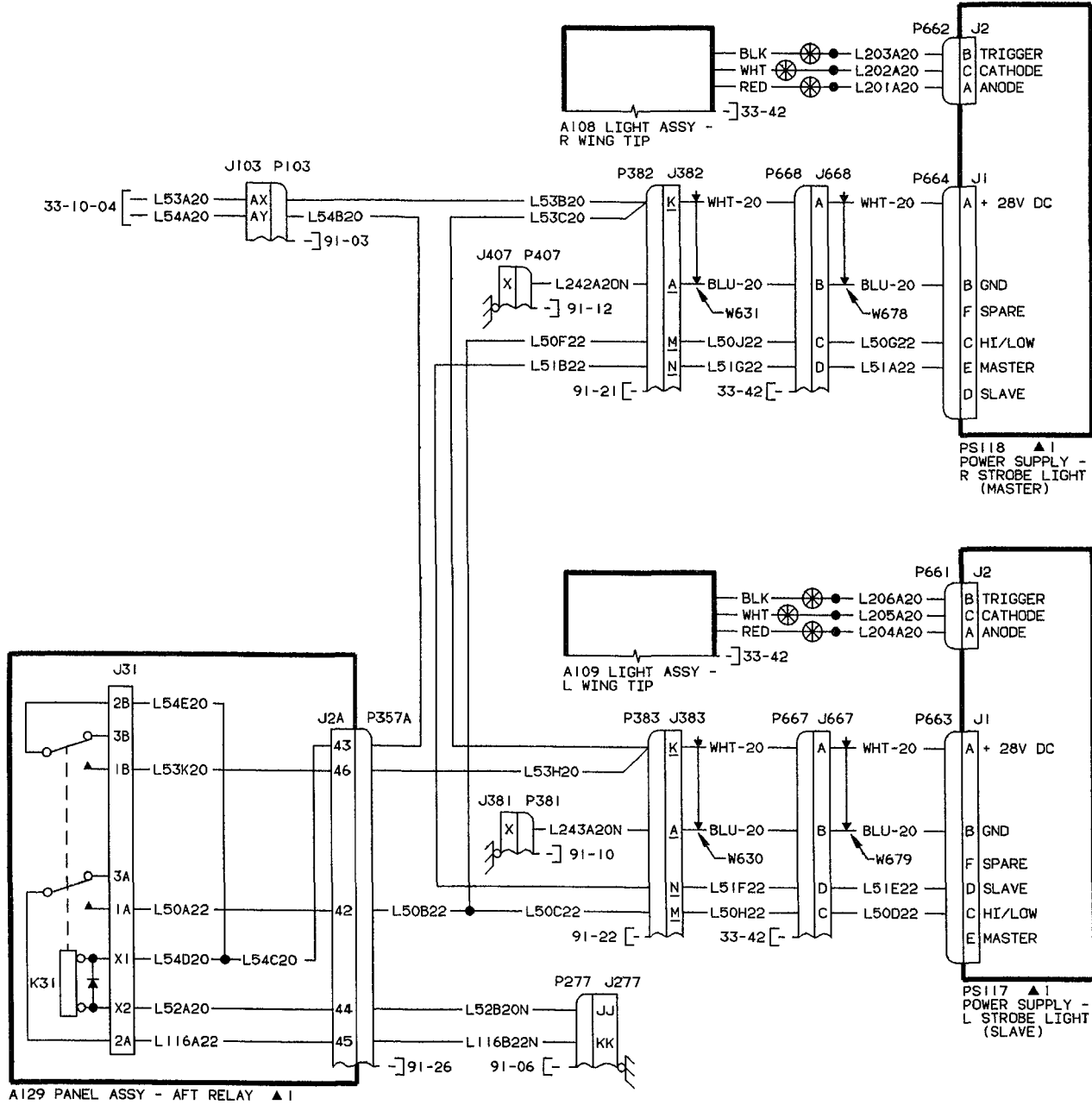
**EFFECTIVITY CODE**

**Beechcraft**  
**STARSHIP 1**  
**WIRING DIAGRAM MANUAL**

**33-43-00**



# Beechcraft STARSHIP 1 WIRING DIAGRAM MANUAL



## EXTERIOR-HIGH INTENSITY LIGHTS

**Beechcraft**  
**STARSHIP 1**  
**WIRING DIAGRAM MANUAL**

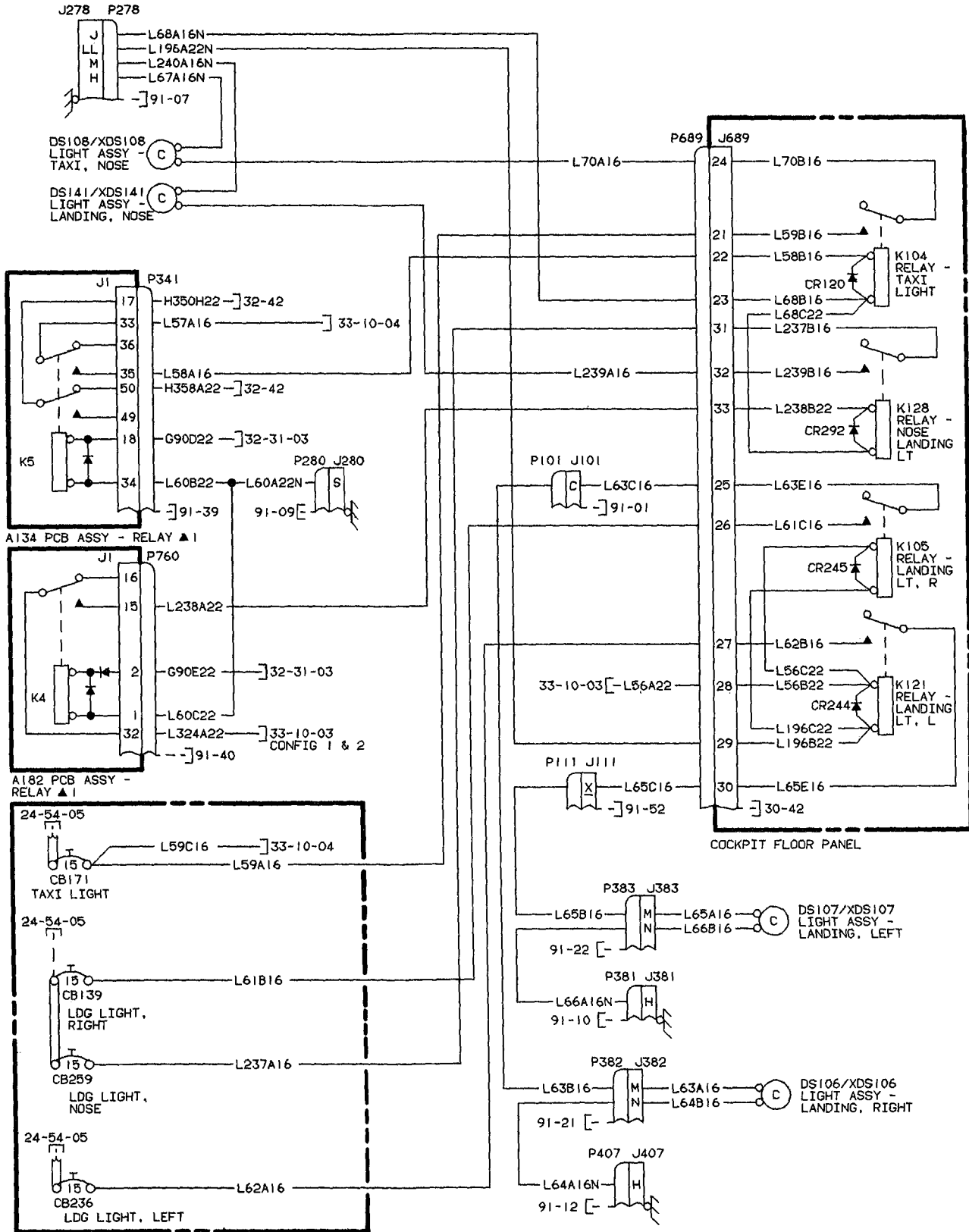
REFERENCE DESIGNATOR	PART NUMBER	DESCRIPTION	USABLE INSTL ON ZONE CODE
33-43-00			
A108	A600-PG-D28RH	LIGHT ASSY-RIGHT WING TIP	692
A109	A600-PR-D28LH	LIGHT ASSY-LEFT WING TIP	592
A129J31	451120-051	RCPT-RELAY	320
A129K31	M6106/27-023	RELAY	320
J667	MS3471L10-6P	RCPT	592
J668	MS3471L10-6P	RCPT	692
PS117	01-0770347-00	POWER SUPPLY-R STROBE LIGHT	592
PS117J1	MS3102E-10SL-3S	RCPT	592
PS117J2	MS3122E-10-6P	RCPT	592
PS118	01-0770347-00	POWER SUPPLY-L STROBE LIGHT	692
PS118J1	MS3102E-10SL-3S	RCPT	692
PS118J2	MS3122E-10-6P	RCPT	692
P661	MS3456L10SL-3P	PLUG	592
P662	MS3456L10SL-3P	PLUG	692
P663	MS3126E10-6S	PLUG	592
P664	MS3126E10-6S	PLUG	692
P667	MS3475L10-6S	PLUG	592
P668	MS3475L10-6S	PLUG	692
W630	M27500-20TE2U15	CABLE-2 CNDCT	547
W631	M27500-20TE2U15	CABLE-2 CNDCT	547
W678	M27500-20TE2U15	CABLE-2 CNDCT	692
W679	M27500-20TE2U15	CABLE-2 CNDCT	592

**EFFECTIVITY CODE**

**Beechcraft**  
**STARSHIP 1**  
**WIRING DIAGRAM MANUAL**

**33-44-00**

# Beechcraft STARSHIP 1 WIRING DIAGRAM MANUAL



PANEL ASSY - CIRCUIT BREAKER, AUXILIARY

## EXTERIOR-LANDING & TAXI LIGHTS

Beechcraft  
STARSHIP 1  
WIRING DIAGRAM MANUAL

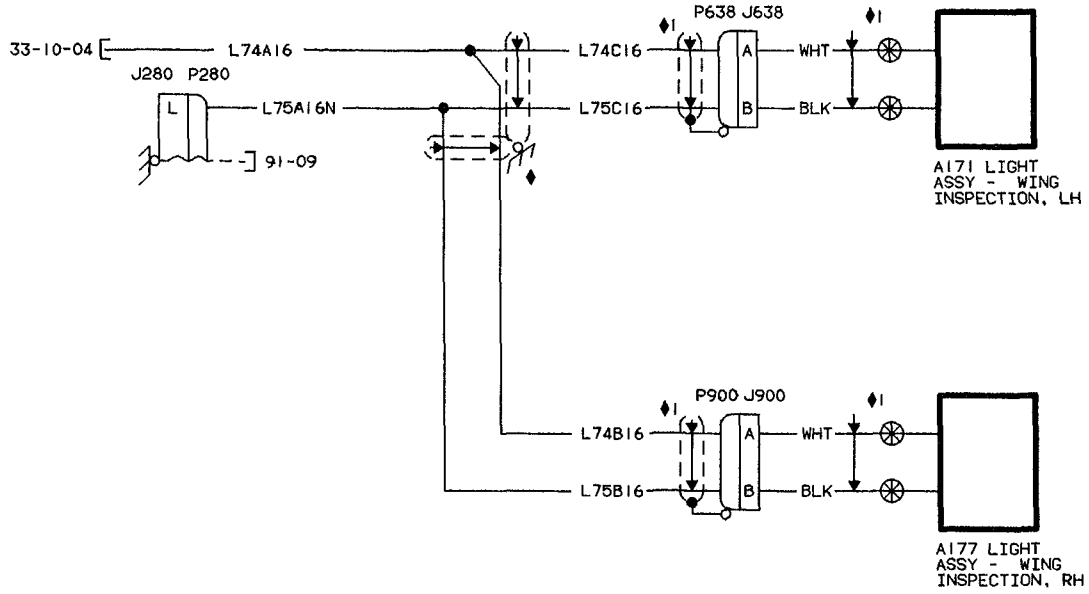
REFERENCE DESIGNATOR	PART NUMBER	DESCRIPTION	USABLE
			INSTL ON ZONE CODE
33-44-00			
A134K5	M39016/6-209L	RELAY	237
A182K4	M39016/6-209L	RELAY	237
CB139	131984-15	CB-RIGHT LANDING LIGHT	235
CB171	131984-15	CB-TAXI LIGHT	235
CB236	131984-15	CB-LEFT LANDING LIGHT	235
CB259	131984-15	CB-NOSE LANDING LIGHT	235
CR120	1N4007	DIODE	143
CR244	1N4007	DIODE	143
CR245	1N4007	DIODE	143
CR292	1N4007	DIODE	143
DS106	4182271	LAMP-RIGHT LDG	691
DS107	4182271	LAMP-LEFT LDG	591
DS108	4587	LAMP-NOSE TAXI	121
DS141	4596	LAMP-NOSE LANDING	121
K104	FCA-125-14	RELAY-TAXI LIGHT	143
K105	FCA-125-14	RELAY-RIGHT LANDING LIGHT	143
K121	FCA-125-14	RELAY-LEFT LANDING LIGHT	143
K128	FCA-125-14	RELAY-NOSE LANDING LIGHT	143
XDS106	4270517	LIGHT ASSY-RIGHT LANDING	691
XDS107	4270517	LIGHT ASSY-LEFT LANDING	591
XDS108	90-384040	LIGHT ASSY-TAXI NOSE	121
XDS141	90-384040	LIGHT ASSY-LH LANDING NOSE	121

EFFECTIVITY CODE

Beechcraft  
STARSHIP 1  
WIRING DIAGRAM MANUAL

**33-46-00**

# Beechcraft STARSHIP 1 WIRING DIAGRAM MANUAL



- ◆ TWIST WIRES 6 TURNS PER FOOT
- ◆ BRAIDED SHIELD TO BE GROUND-ED NEAR DOOR STRUCTURE TO THE GROUND PLANE.

## EXTERIOR-WING LIGHTS

**Beechcraft**  
**STARSHIP 1**  
**WIRING DIAGRAM MANUAL**

REFERENCE DESIGNATOR	PART NUMBER	DESCRIPTION	USABLE
			INSTL ON ZONE CODE
<b>33-46-00</b>			
A171	122-384078-1	LIGHT ASSY-WING INSPECTION,LH	271
A177	122-384078-2	LIGHT ASSY-WING INSPECTION,RH	272
J638	MS3451L10SL-4P	RCPT	271
J900	MS3451L10SL-4P	RCPT	272
P638	MS3456L10SL-4S	PLUG	271
P900	MS3456L10SL-4S	PLUG	272

**EFFECTIVITY CODE**



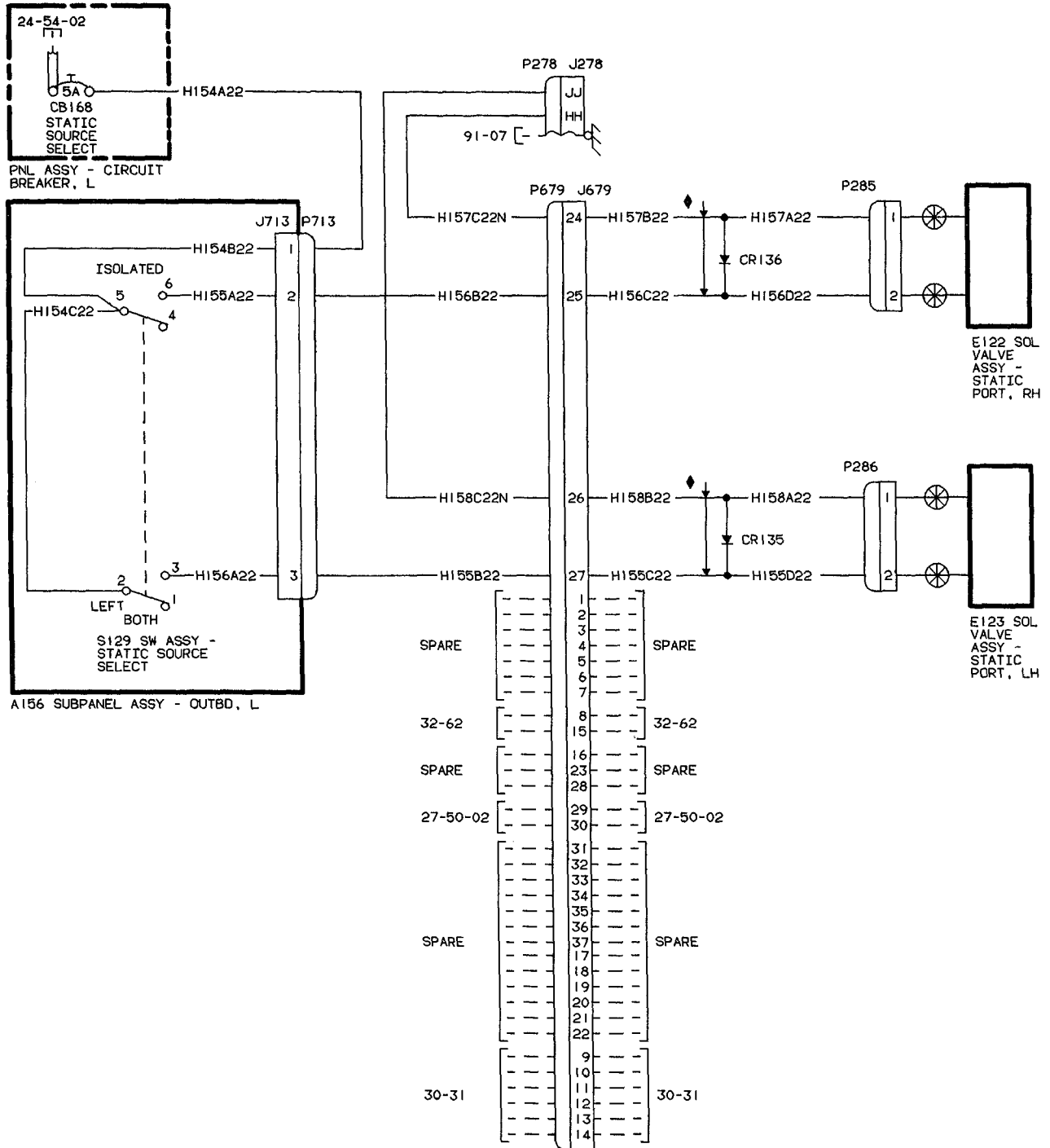
**Beechcraft**  
**STARSHIP 1**  
**WIRING DIAGRAM MANUAL**  
*LIST OF PAGES & TABLE OF CONTENTS*  
*for*  
**CHAPTER 34 - NAVIGATION & PITOT/STATIC**

<b>SYS/SUB-SYS/ CHAP SECTION</b>	<b>PAGE NO.</b>	<b>EFFECTIVE DATE</b>	<b>TABLE OF CONTENTS</b>
<b>34-10-00</b>	Page 1	02/25/94	STATIC PORT CONTROL VALVES
	Page 2	02/25/94	
	Page 3	02/25/94	

**Beechcraft**  
**STARSHIP 1**  
**WIRING DIAGRAM MANUAL**

**34-10-00**

# Beechcraft STARSHIP 1 WIRING DIAGRAM MANUAL



◆ TWIST WIRES 6 TURNS PER FOOT.

## STATIC PORT CONTROL VALVES

**Beechcraft**  
**STARSHIP 1**  
**WIRING DIAGRAM MANUAL**

REFERENCE DESIGNATOR	PART NUMBER	DESCRIPTION	USABLE
			INSTL ON ZONE CODE
<b>34-10-00</b>			
CB168	131984-5	CB-STATIC SOURCE SELECT	236
CR135	1N4007	DIODE	121
CR136	1N4007	DIODE	122
E122	122-380046-1	SOL V ASSY-RH STATIC PORT	122
E123	122-380046-1	SOL V ASSY-LH STATIC PORT	121
J679	206151-2	RCPT-FORWARD HORN BREAK	142
J713	207360-1	RCPT-STATIC SOURCE SWITCH	234
P285	1-480698-0	PLUG-RIGHT STATIC PORT VALVE	122
P286	1-480698-0	PLUG-LEFT STATIC PORT VALVE	121
P679	206150-1	PLUG-FWD HORN BREAK	142
P713	207359-1	PLUG	234
S129	112TW59-3D	SW ASSY-STATIC SOURCE SELECT	234

**EFFECTIVITY CODE**

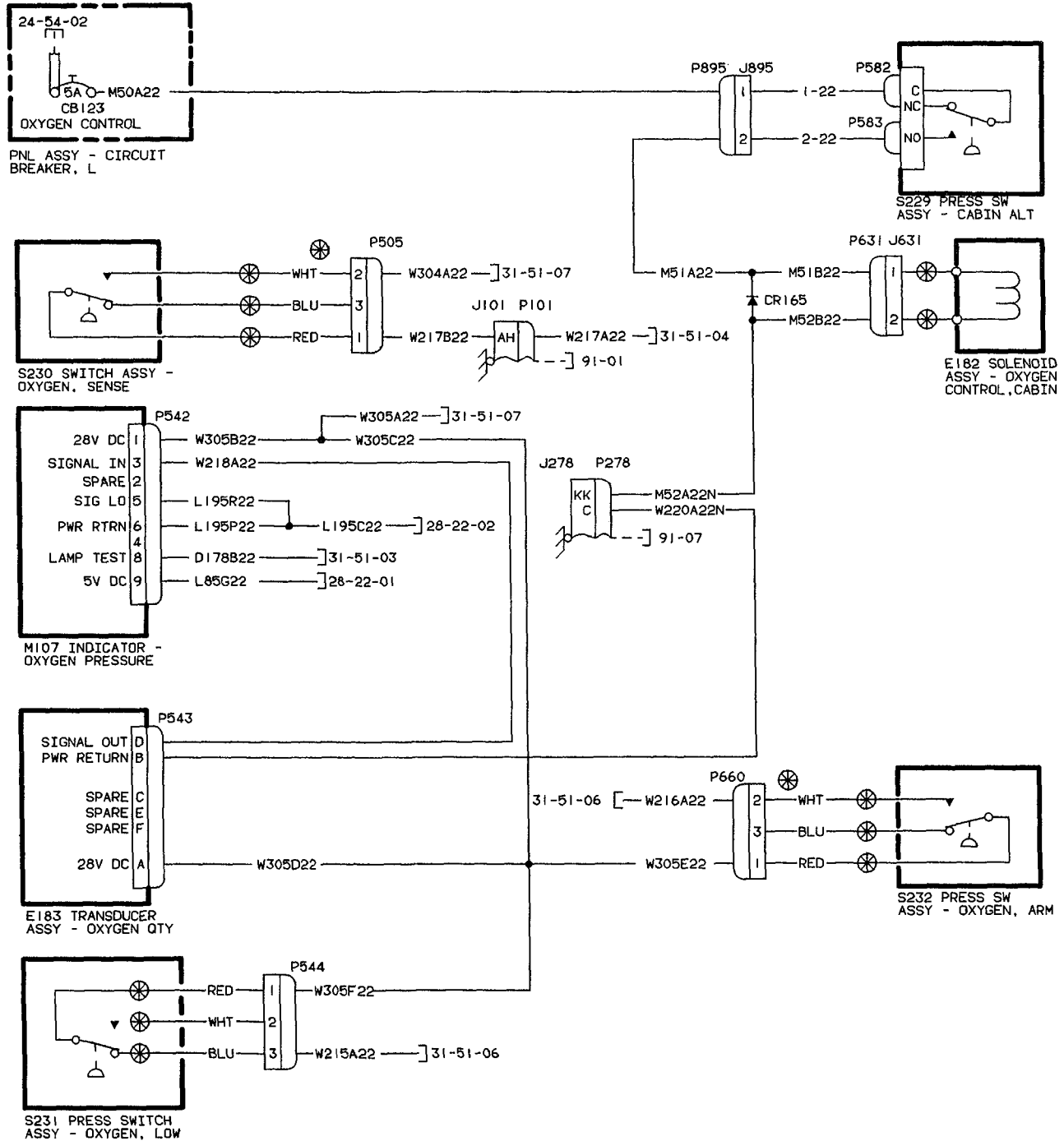
**Beechcraft**  
**STARSHIP 1**  
**WIRING DIAGRAM MANUAL**  
*LIST OF PAGES & TABLE OF CONTENTS*  
*for*  
**CHAPTER 35 - OXYGEN**

<b>SYS/SUB-SYS/ CHAP SECTION</b>	<b>PAGE NO.</b>	<b>EFFECTIVE DATE</b>	<b>TABLE OF CONTENTS</b>
<b>35-10-00</b>	Page 1	02/25/94	CREW-OXYGEN SYSTEM
	Page 2	02/25/94	
	Page 3	02/25/94	

**Beechcraft**  
**STARSHIP 1**  
**WIRING DIAGRAM MANUAL**

**35-10-00**

# Beechcraft STARSHIP 1 WIRING DIAGRAM MANUAL



## CREW-OXYGEN SYSTEM

**Beechcraft**  
**STARSHIP 1**  
**WIRING DIAGRAM MANUAL**

REFERENCE DESIGNATOR	PART NUMBER	DESCRIPTION	USABLE
			INSTL ON ZONE CODE
<b>35-10-00</b>			
CB123	131984-5	CB-OXYGEN CONTROL	236
CR165	1N4007	DIODE	142
E182	101-384032-7	SOLENOID ASSY-OXYGEN CONTROL	142
E183	122-382008-5	TRANSDUCER-OXYGEN PRESSURE	132
J631	1-480699-0	RCPT	142
J895	1-480699-0	RCPT	142
M107	122-382134-1	INDICATOR-OXYGEN PRESSURE	243
P505	1-480700-0	PLUG	286
P542	205203-1	PLUG	244
P543	MS3476L10-6S	PLUG	132
P544	1-480700-0	PLUG	132
P582	60939-2	PLUG	142
P583	60939-2	PLUG	142
P631	1-480698-0	PLUG	142
P660	1-480700-0	PLUG	132
P895	1-480698-0	PLUG	142
S229	101-384028	PRESS SW ASSY-CABIN ALT	142
S230	101-384034-1	SW ASSY-OXYGEN SENSE	186
S231	101-384034-3	PRESS SW ASSY-OXYGEN LOW	132
S232	101-384034-1	PRESS SW ASSY-OXYGEN ARM	132

**EFFECTIVITY CODE**



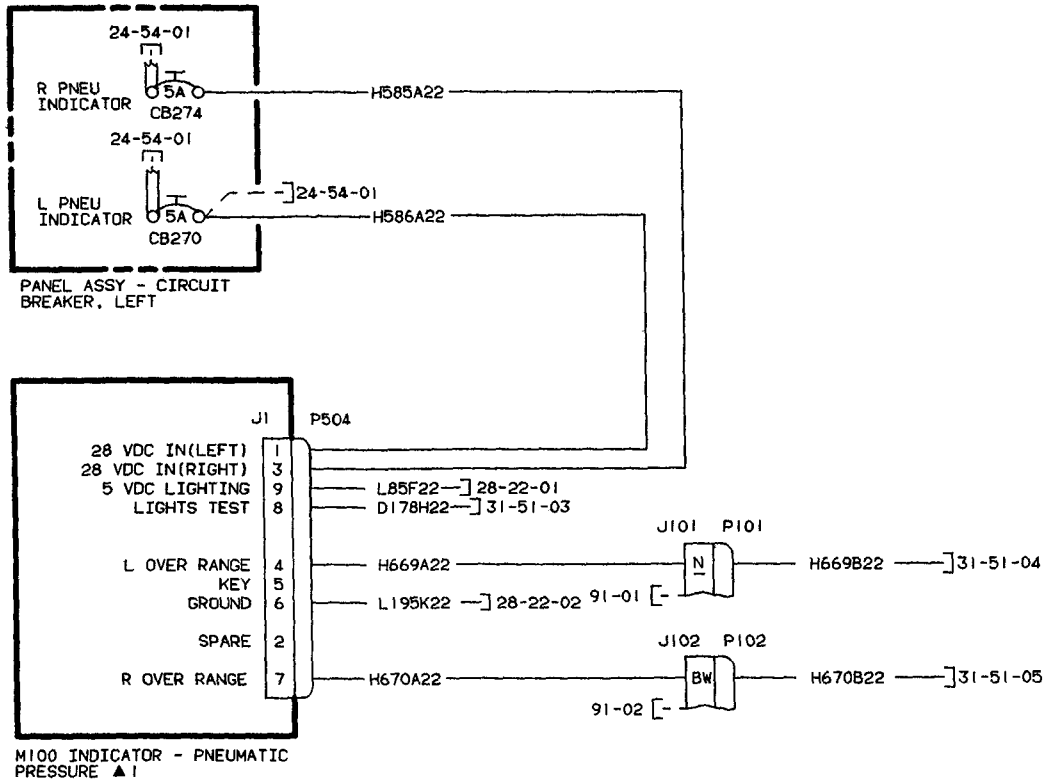
**Beechcraft**  
**STARSHIP 1**  
**WIRING DIAGRAM MANUAL**  
*LIST OF PAGES & TABLE OF CONTENTS*  
*for*  
**CHAPTER 36 - PNEUMATIC**

<b>SYS/SUB-SYS/ CHAP SECTION</b>	<b>PAGE NO.</b>	<b>EFFECTIVE DATE</b>	<b>TABLE OF CONTENTS</b>
<b>36-21-00</b>	Page 1	02/25/94	PNEUMATIC-INDICATION
	Page 2	02/25/94	
	Page 3	02/25/94	

**Beechcraft**  
**STARSHIP 1**  
**WIRING DIAGRAM MANUAL**

**36-21-00**

# Beechcraft STARSHIP 1 WIRING DIAGRAM MANUAL



## PNEUMATIC-INDICATION

**Beechcraft**  
**STARSHIP 1**  
**WIRING DIAGRAM MANUAL**

REFERENCE DESIGNATOR	PART NUMBER	DESCRIPTION	USABLE
			INSTL ON ZONE CODE
<b>36-21-00</b>			
CB270	131984-5	CB-LEFT PNEUMATIC INDICATOR	236
CB274	131984-5	CB-RIGHT PNEUMATIC INDICATOR	236
M100	122-382143-1	PNEUMATIC PRESSURE INDICATOR	233
P504	205203-1	PLUG	233

**EFFECTIVITY CODE**

**Beechcraft**  
**STARSHIP 1**  
**WIRING DIAGRAM MANUAL**  
*LIST OF PAGES & TABLE OF CONTENTS*  
*for*  
**CHAPTER 38 - WATER/WASTE**

<b>SYS/SUB-SYS/ CHAP SECTION</b>	<b>PAGE NO.</b>	<b>EFFECTIVE DATE</b>	<b>TABLE OF CONTENTS</b>
<b>38-20-00</b> (Config 1)	Page 1	02/25/94	WASTE DISPOSAL-FORWARD TOILET (OPTIONAL)
	Page 2	02/25/94	
	Page 3	02/25/94	
<b>38-20-00</b> (Config 2)	Page 1	02/25/94	WASTE DISPOSAL-FORWARD TOILET (OPTIONAL)
	Page 2	02/25/94	
	Page 3	02/25/94	
<b>38-21-00</b>	Page 1	02/25/94	WASTE DISPOSAL-HEATED OVERBOARD DRAIN
	Page 2	02/25/94	
	Page 3	02/25/94	

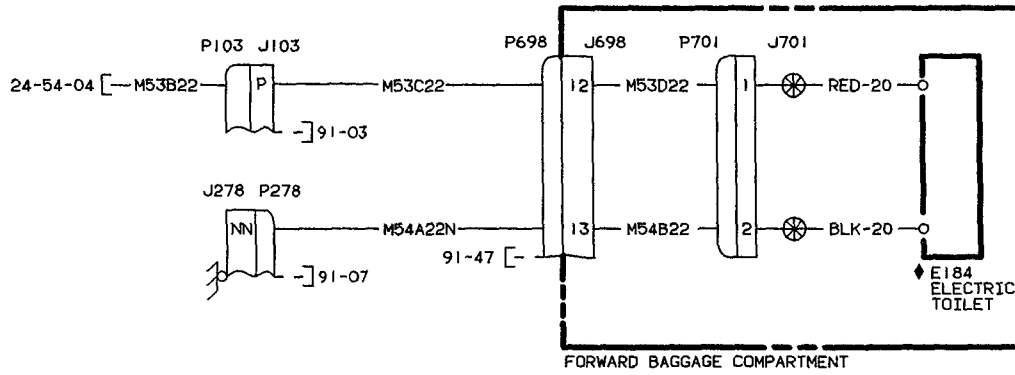
**Beechcraft**  
**STARSHIP 1**  
**WIRING DIAGRAM MANUAL**

# **38-20-00**

## **Configuration 1**

**NC-4 THRU NC-20**

# Beechcraft STARSHIP 1 WIRING DIAGRAM MANUAL



◆ OPTIONAL EQUIPMENT. IF NOT INSTALLED CAP & STOW MATING WIRES.

## WASTE DISPOSAL-FORWARD TOILET (OPTIONAL) (Configuration 1 )

**Beechcraft**  
**STARSHIP 1**  
**WIRING DIAGRAM MANUAL**

REFERENCE DESIGNATOR	PART NUMBER	DESCRIPTION	USABLE	
			INSTL ZONE	ON CODE
<b>38-20-00</b> (Configuration 1)				
E184	500-31B	ELECTRIC TOILET,FWD	262	1
J701	1-480699-0	RCPT-FWD ELECTRIC TOILET	262	1
P701	1-480698-0	PLUG-FWD ELECTRIC TOILET	262	1
P701	1-480698-0	PLUG-AFT ELECTRIC TOILET	282	1

**EFFECTIVITY CODE**

1. NC-21 & AFTER



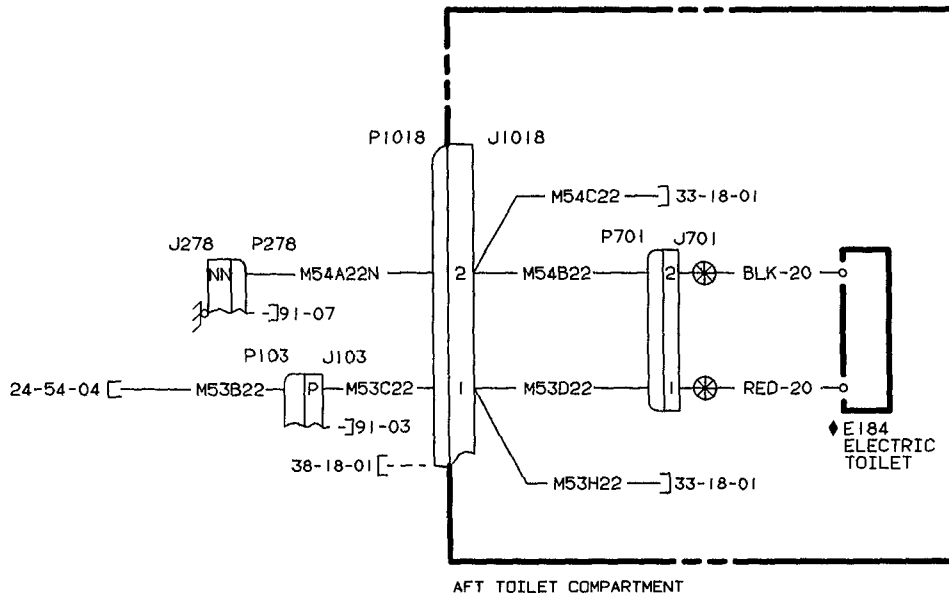
**Beechcraft**  
**STARSHIP 1**  
**WIRING DIAGRAM MANUAL**

# **38-20-00**

## **Configuration 2**

**NC-21 & AFTER**

# Beechcraft STARSHIP 1 WIRING DIAGRAM MANUAL



◆ OPTIONAL EQUIPMENT, CAP & STOW MATING WIRES IF NOT INSTALLED.

**WASTE DISPOSAL-FORWARD TOILET (OPTIONAL)  
(Configuration 2 )**

**Beechcraft**  
**STARSHIP 1**  
**WIRING DIAGRAM MANUAL**

REFERENCE DESIGNATOR	PART NUMBER	DESCRIPTION	USABLE	
			INSTL ZONE	ON CODE
<b>38-20-00</b> <b>(Configuration 2 )</b>				
E184	500-31AC	ELECTRIC TOILET,AFT	282	2
E184	500-31A-1	ELECTRIC TOILET,AFT	282	3
J1018	207359-1	RCPT-AFT ELECTRIC TOILET	282	1
J701	1-480699-0	RCPT-AFT ELECTRIC TOILET	282	1
P1018	207360-1	PLUG-AFT ELECTRIC TOILET	282	1

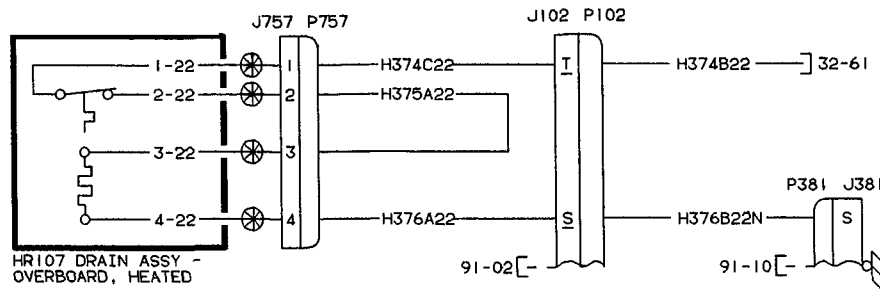
**EFFECTIVITY CODE**

1. NC-21 & AFTER
2. NC-21 THRU NC-25
3. NC-26 & AFTER

**Beechcraft**  
**STARSHIP 1**  
**WIRING DIAGRAM MANUAL**

**38-21-00**

# Beechcraft STARSHIP 1 WIRING DIAGRAM MANUAL



## WASTE DISPOSAL-HEATED OVERBOARD DRAIN

Beechcraft  
STARSHIP 1  
WIRING DIAGRAM MANUAL

REFERENCE DESIGNATOR	PART NUMBER	DESCRIPTION	USABLE
			INSTL ON ZONE CODE
38-21-00			
HR107	122-384070-3	DRAIN ASSY-OVERBOARD HEATER	171
J757	207016-1	RCPT-OVERBOARD HEATER	171
P757	207015-1	PLUG-OVERBOARD HEATER	171

EFFECTIVITY CODE

**Beechcraft**  
**STARSHIP 1**  
**WIRING DIAGRAM MANUAL**  
*LIST OF PAGES & TABLE OF CONTENTS*  
*for*  
**CHAPTER 61 - PROPELLERS**

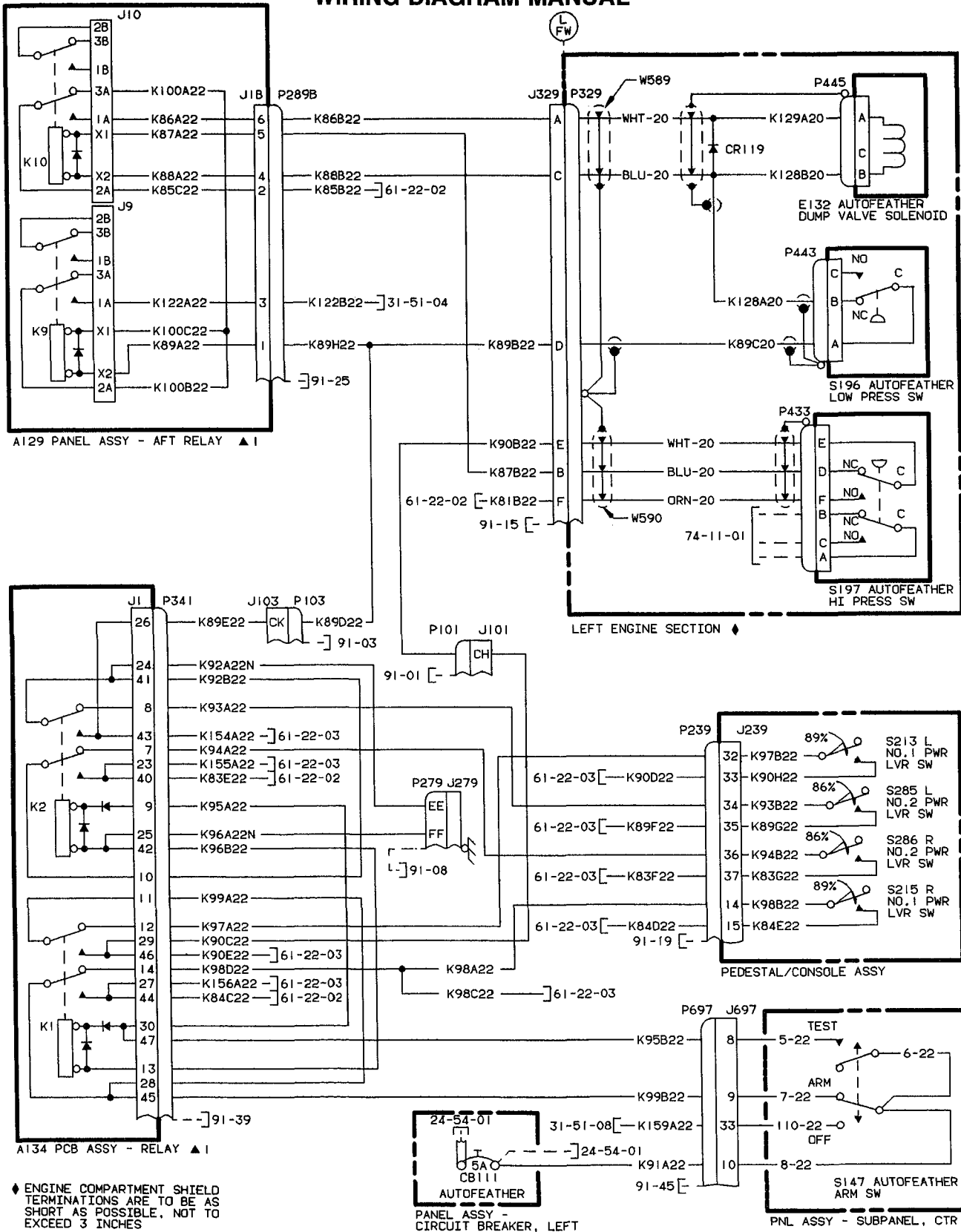
<b>SYS/SUB-SYS/ CHAP SECTION</b>	<b>PAGE NO.</b>	<b>EFFECTIVE DATE</b>	<b>TABLE OF CONTENTS</b>
<b>61-22-01</b>	Page 1	02/25/94	CONTROLLING-AUTOFEATHER, LEFT
	Page 2	02/25/94	
	Page 3	02/25/94	
<b>61-22-02</b>	Page 1	02/25/94	CONTROLLING-AUTOFEATHER, RIGHT
	Page 2	02/25/94	
	Page 3	02/25/94	
<b>61-22-03</b>	Page 1	02/25/94	CONTROLLING-AUTOFEATHER
	Page 2	02/25/94	
	Page 3	02/25/94	
<b>61-23-00</b>	Page 1	02/25/94	CONTROLLING-PROPELLER GOVERNOR & GROUND IDLE STOP
	Page 2	02/25/94	
	Page 3	02/25/94	
<b>61-24-00 (Config 1)</b>	Page 1	02/25/94	CONTROLLING-PROPELLER SYNCHROPHASER
	Page 2	02/25/94	
	Page 3	02/25/94	
<b>61-24-00 (Config 2)</b>	Page 1	02/25/94	CONTROLLING-PROPELLER SYNCHROPHASER
	Page 2	02/25/94	
	Page 3	02/25/94	
<b>61-42-00</b>	Page 1	02/25/94	INDICATING-PROPELLER TACHOMETER
	Page 2	02/25/94	
	Page 3	02/25/94	
<b>61-43-00</b>	Page 1	02/25/94	INDICATING-PROPELLER FEATHERING
	Page 2	02/25/94	
	Page 3	02/25/94	

**Beechcraft**  
**STARSHIP 1**  
**WIRING DIAGRAM MANUAL**

**61-22-01**



# Beechcraft STARSHIP 1 WIRING DIAGRAM MANUAL



**Beechcraft**  
**STARSHIP 1**  
**WIRING DIAGRAM MANUAL**

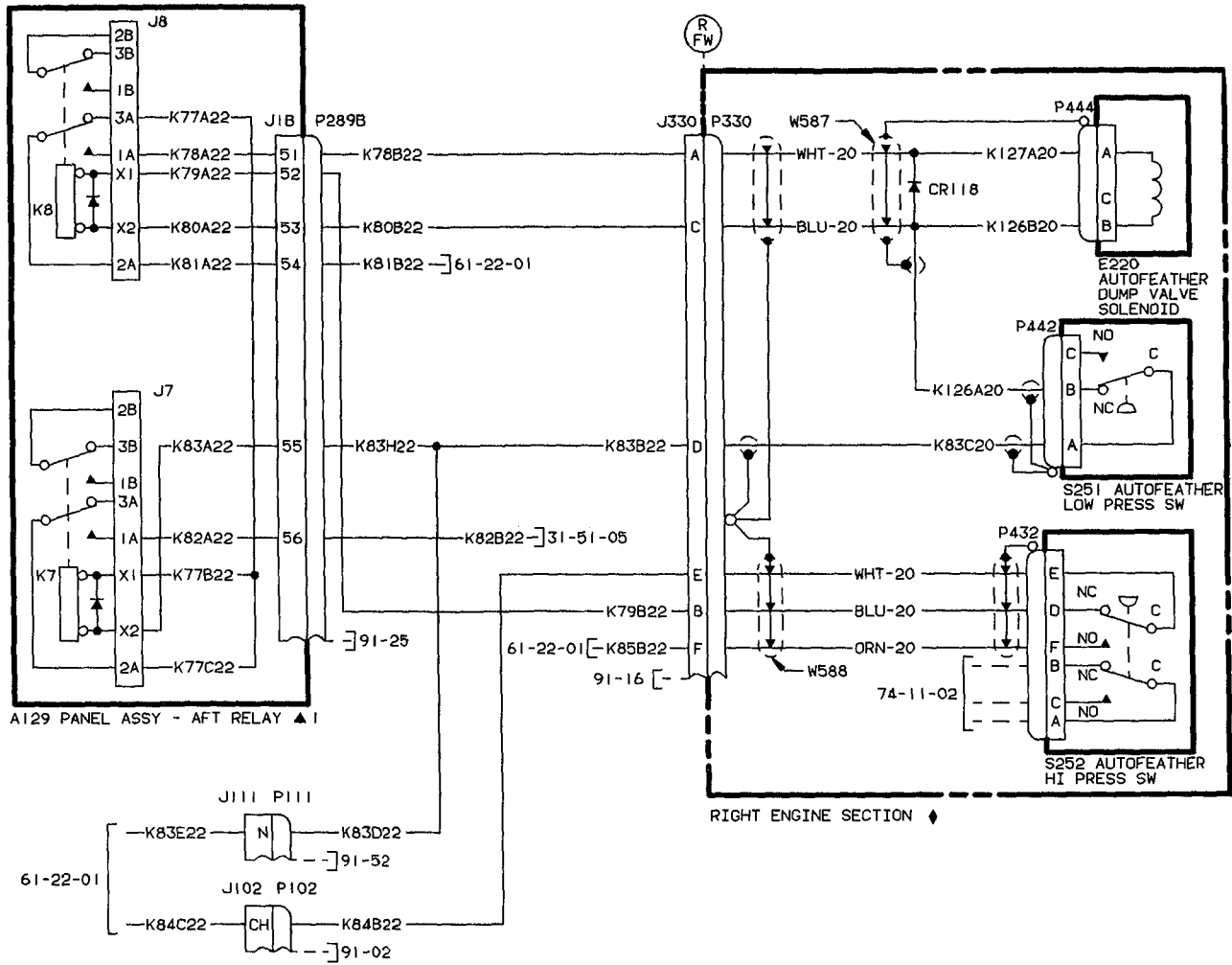
REFERENCE DESIGNATOR	PART NUMBER	DESCRIPTION	USABLE
			INSTL ON ZONE CODE
61-22-01			
A129J10	451120-051	RCPT-RELAY	320
A129J9	451120-051	RCPT-RELAY	320
A129K10	M6106/27-023	RELAY	320
A129K9	M6106/27-023	RELAY	320
A134K1	M39016/6-209L	RELAY	237
A134K2	M39016/6-209L	RELAY	237
CB111	131984-5	CB-AUTOFEATHER	236
CR119	1N4007	DIODE	421
E132	MS3456L10SL-3S	SOL VALVE-L AUTOFEATHER DUMP	411
P433	MS3476L10-6S	PLUG	421
P443	MS3456L10SL-3S	PLUG	421
P445	MS3456L10SL-3S	PLUG	421
S147	64AT59-514B	SW-AUTOFEATHER ARM	242
S196	50-389121-29	SW-L AUTOFEATHER LOW PRESSURE	421
S197	50-389121-31	SW-L AUTOFEATHER HIGH PRESSURE	421
S213	11SM3-S	SW-LEFT NO.1 POWER LEVER	239
S215	11SM3-S	SW-RIGHT NO.1 POWER LEVER	239
S285	11SM3-S	SW-LEFT NO.2 POWER LEVER	239
S286	11SM3-S	SW-RIGHT NO.2 POWER LEVER	239
W589	M27500-22TE2T14	CABLE-2 CNDCT	411
W590	M27500-22TE3T14	CABLE-3 CNDCT	411

**EFFECTIVITY CODE**

**Beechcraft**  
**STARSHIP 1**  
**WIRING DIAGRAM MANUAL**

**61-22-02**

# Beechcraft STARSHIP 1 WIRING DIAGRAM MANUAL



♦ ENGINE COMPARTMENT SHIELD TERMINATIONS ARE TO BE AS SHORT AS POSSIBLE, NOT TO EXCEED 3 INCHES

## CONTROLLING-AUTOFEATHER, RIGHT

**Beechcraft**  
**STARSHIP 1**  
**WIRING DIAGRAM MANUAL**

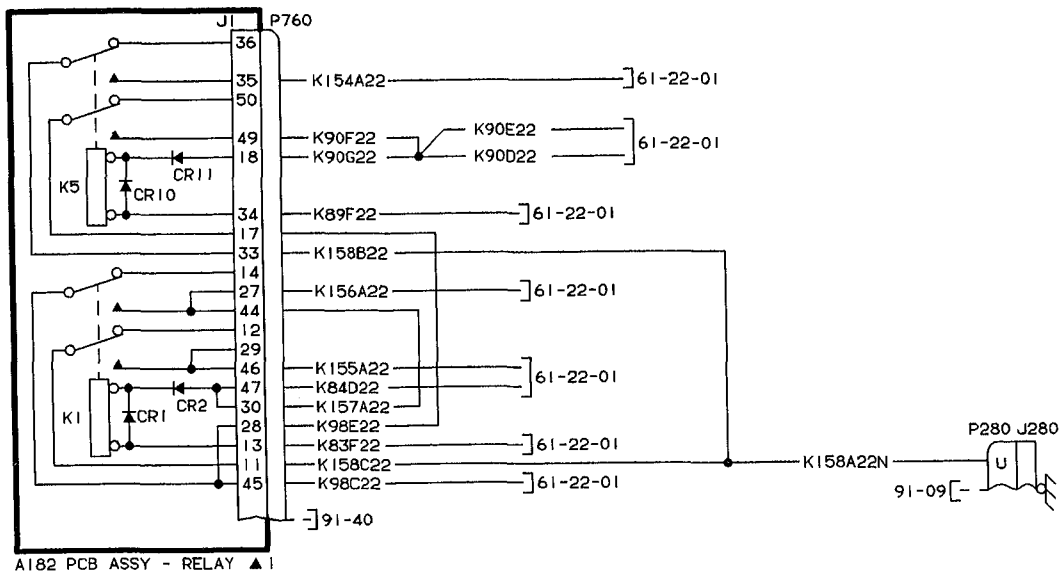
REFERENCE DESIGNATOR	PART NUMBER	DESCRIPTION	USABLE	
			INSTL	ON ZONE CODE
<b>61-22-02</b>				
A129J7	451120-051	RCPT-RELAY		320
A129J8	451120-051	RCPT-RELAY		320
A129K7	M6106/27-023	RELAY		320
A129K8	M6106/27-023	RELAY		320
CR118	1N4007	DIODE		421
E220	MS3456L10SL-3S	SOL VALVE-R AUTOFEATHER DUMP		421
P432	MS3476L10-6S	PLUG		421
P442	MS3456L10S-3S	PLUG		421
P444	MS3456L10SL-3S	PLUG		421
S251	50-389121-29	SW-R AUTOFEATHER LOW PRESSURE		422
S252	50-389121-31	SW-R AUTOFEATHER HIGH PRESSURE		422
W587	M27500-22TE2T14	CABLE-2 CNDCT		421
W588	M27500-22TE3T14	CABLE-3 CNDCT		421

**EFFECTIVITY CODE**

**Beechcraft**  
**STARSHIP 1**  
**WIRING DIAGRAM MANUAL**

**61-22-03**

# Beechcraft STARSHIP 1 WIRING DIAGRAM MANUAL



## CONTROLLING-AUTOFEATHER

**Beechcraft**  
**STARSHIP 1**  
**WIRING DIAGRAM MANUAL**

REFERENCE DESIGNATOR	PART NUMBER	DESCRIPTION	USABLE	
			INSTL	ON ZONE CODE
61-22-03				
A182CR1	1N4007	DIODE		237
A182CR10	1N4007	DIODE		237
A182CR11	1N4007	DIODE		237
A182CR2	1N4007	DIODE		237
A182K1	M39016/6-209L	RELAY		237
A182K5	M39016/6-209L	RELAY		237

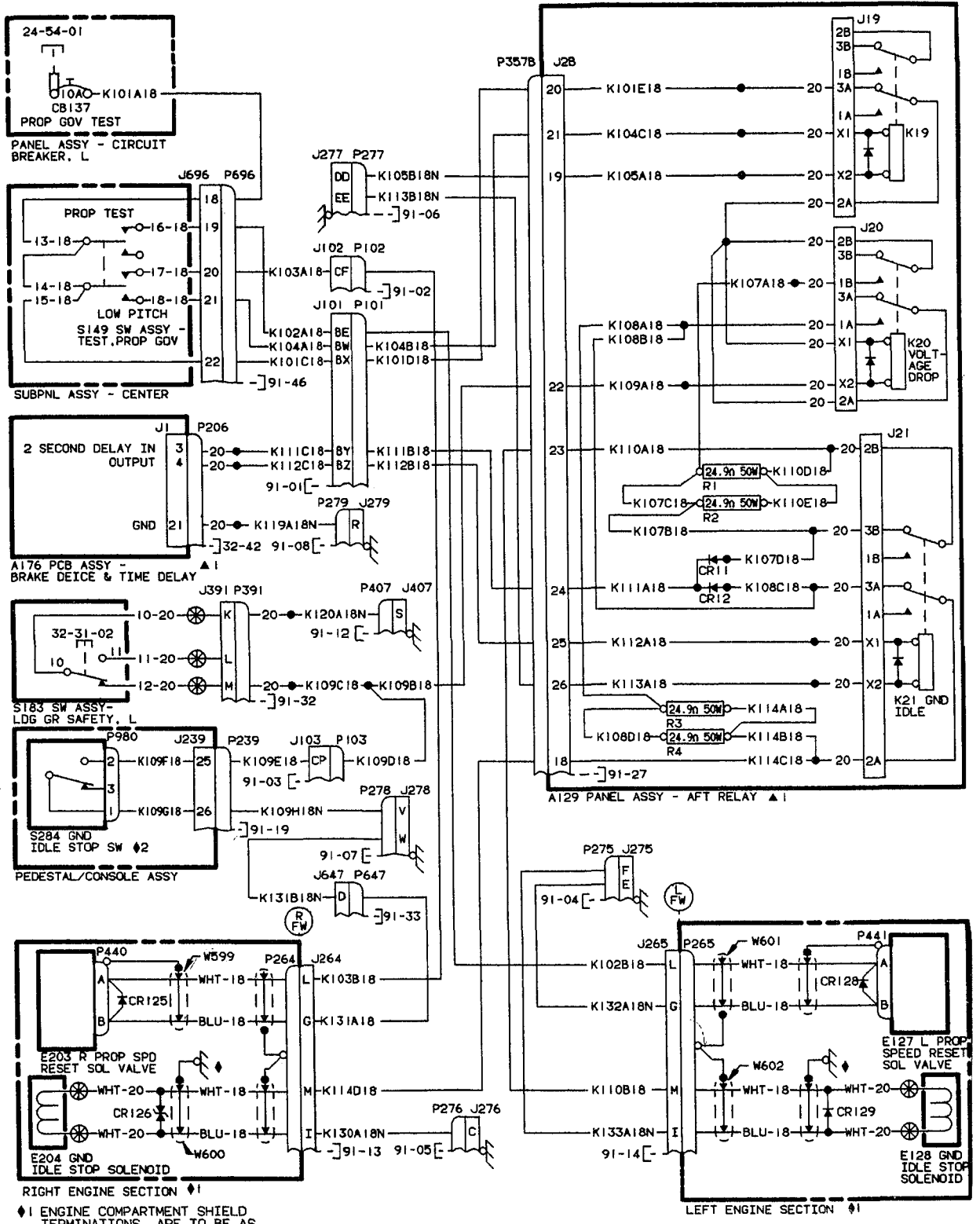
EFFECTIVITY CODE



**Beechcraft**  
**STARSHIP 1**  
**WIRING DIAGRAM MANUAL**

**61-23-00**

# Beechcraft STARSHIP 1 WIRING DIAGRAM MANUAL



♦1 ENGINE COMPARTMENT SHIELD TERMINATIONS ARE TO BE AS SHORT AS POSSIBLE, NOT TO EXCEED 3 INCHES  
♦2 SWITCH SHOWN WITH THROTTLE AT OR FWD OF IDLE POSITION

♦ GROUND TO BRACKET USED TO SUPPORT GROUND IDLE STOP SOLENOID.

## CONTROLLING-PROPELLER GOVERNOR & GROUND IDLE STOP

**Beechcraft**  
**STARSHIP 1**  
**WIRING DIAGRAM MANUAL**

REFERENCE DESIGNATOR	PART NUMBER	DESCRIPTION	USABLE INSTL ON ZONE CODE
61-23-00			
A129CR11	1N4007	DIODE	320
A129CR12	1N4007	DIODE	320
A129J19	451120-051	RCPT-RELAY	320
A129J20	451120-051	RCPT-RELAY	320
A129J21	451120-051	RCPT-RELAY	320
A129K19	M6106/27-023	RELAY	320
A129K20	M6106/27-023	RELAY	320
A129K21	M6106/27-023	RELAY	320
A129R1	RE75G24R9	RESISTOR	320
A129R2	RE75G24R9	RESISTOR	320
A129R3	RE75G24R9	RESISTOR	320
A129R4	RE75G24R9	RESISTOR	320
A176	122-364060-9	PCB ASSY-BRAKE DEICE & TIME DELAY	237
A176J1	DBM25PD	RCPT	237
CR125	1N4007	DIODE	411
CR126	1.5KE51CA	TRANSZORB	421
CR128	1N4007	DIODE	411
CR129	1N4007	DIODE	411
E127	189894-001	SOL VALVE-LEFT PROPELLER SPEED RESET	411
E128	186641-001	SOLENOID-GROUND IDLE STOP	411
E203	189894-001	SOL VALVE-RIGHT PROPELLER SPEED RESET	421
E204	186641-001	SOLENOID-GROUND IDLE STOP	421
P206	130106BSM-25S	PLUG	237
P440	MS3456L10SL-4S	PLUG	421
P441	MS3456L10SL-4S	PLUG	411
P980	360010-1	PLUG	239
S149	MS24524-27	SW ASSY-PROPELLER GOVERNOR TEST	242
S183	444EN49-6	SW ASSY-LEFT LDG GR SAFETY	720
S284	V3-101-D8	SW-GROUND IDLE STOP	239
W599	M27500-22TE2T14	CABLE-2 CNDCT	421
W600	M27500-22TE2T14	CABLE-2 CNDCT	421
W601	M27500-22TE2T14	CABLE-2 CNDCT	411
W602	M27500-22TE2T14	CABLE-2 CNDCT	411

**EFFECTIVITY CODE**

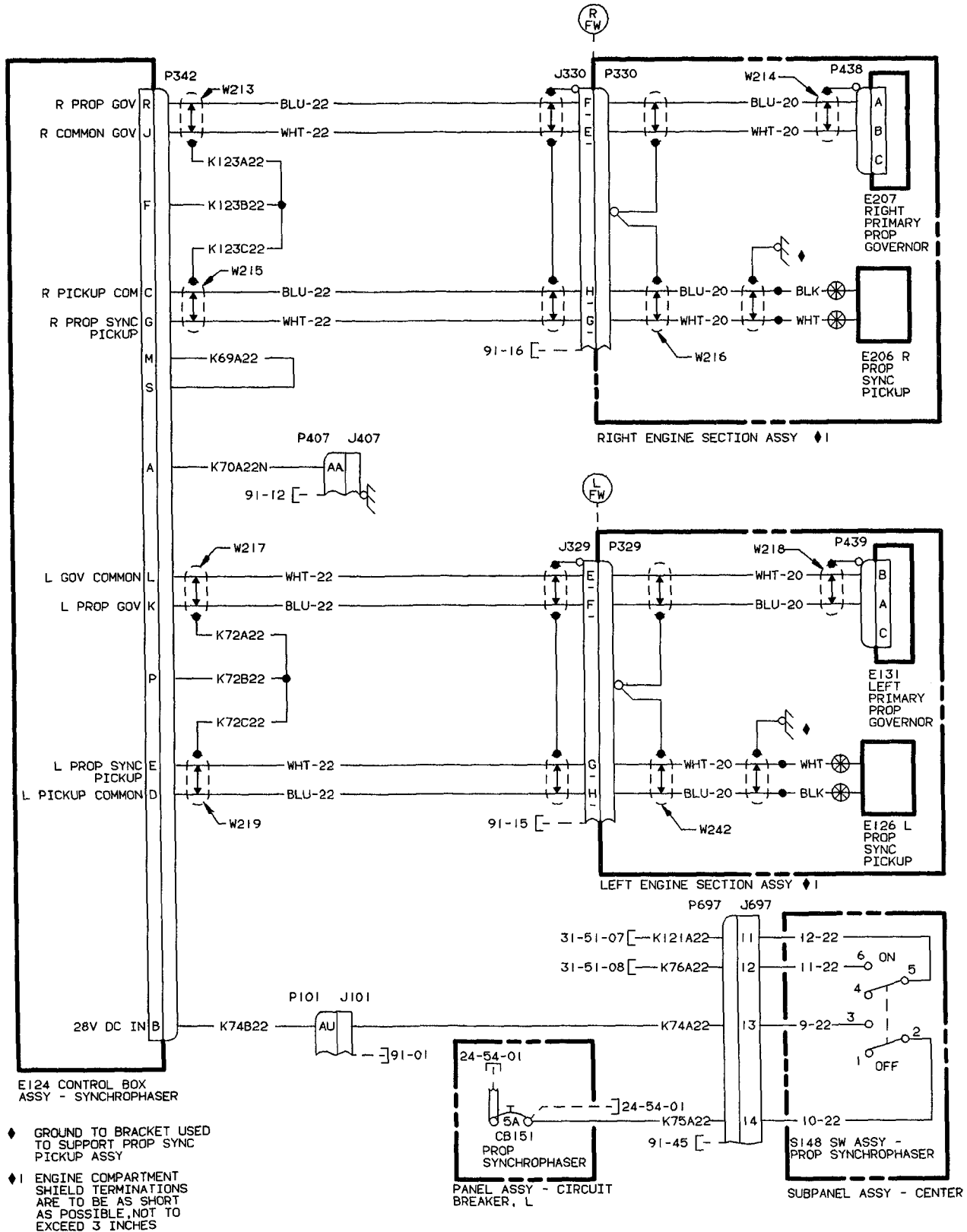
**Beechcraft**  
**STARSHIP 1**  
**WIRING DIAGRAM MANUAL**

# **61-24-00**

## **Configuration 1**

**NC-4 THRU NC-34**

# Beechcraft STARSHIP 1 WIRING DIAGRAM MANUAL



**CONTROLLING-PROPELLER SYNCHROPHASER  
(Configuration 1)**

**Beechcraft**  
**STARSHIP 1**  
**WIRING DIAGRAM MANUAL**

REFERENCE DESIGNATOR	PART NUMBER	DESCRIPTION	USABLE	
			INSTL ZONE	ON CODE
<b>61-24-00</b>				
<b>(Configuration 1 )</b>				
CB151	131984-5	CB-PROP SYNCHROPHASER	236	1
E124	A213796	CONT BOX ASSY-SYNCHROPHASER	175	1
E126	213181	LEFT PROP SYNC PICKUP	412	1
E206	213181	RIGHT PROP SYNC PICKUP	422	1
P342	MS27473E14B18S	PLUG	175	1
P438	MS3456L10SL3S	PLUG	421	1
P439	MS3456L10SL-3S	PLUG	411	1
S148	112TW91-3	SW ASSY-PROP SYNCHROPHASER	242	1
W213	M27500-22TE2T14	CABLE-2 CNDCT	421	1
W214	M27500-22TE2T14	CABLE-2 CNDCT	422	1
W215	M27500-22TE2T14	CABLE-2 CNDCT	421	1
W216	M27500-22TE2T14	CABLE-2 CNDCT	582	1
W217	M27500-22TE2T14	CABLE-2 CNDCT	421	1
W218	M27500-22TE2T14	CABLE-2 CNDCT	411	1
W219	M27500-22TE2T14	CABLE-2 CNDCT	421	1
W242	M27500-22TE2T14	CABLE-2 CNDCT	682	1

**EFFECTIVITY CODE**

1. NC-4 THRU NC-34

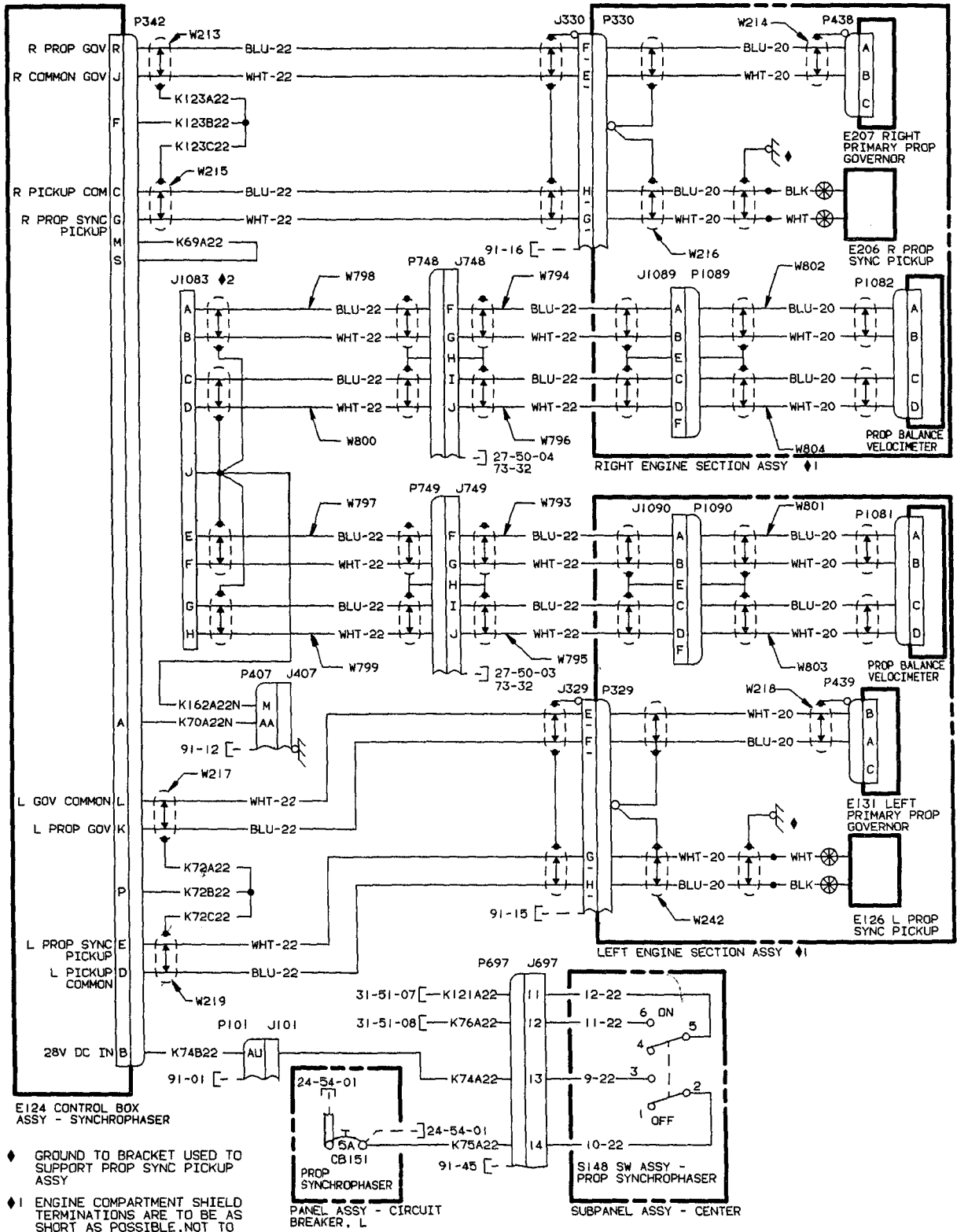
**Beechcraft**  
**STARSHIP 1**  
**WIRING DIAGRAM MANUAL**

# **61-24-00**

## **Configuration 2**

**NC-35 & AFTER**

# Beechcraft STARSHIP 1 WIRING DIAGRAM MANUAL



- ◆ GROUND TO BRACKET USED TO SUPPORT PROP SYNC PICKUP ASSY
- ◆ I ENGINE COMPARTMENT SHIELD TERMINATIONS ARE TO BE AS SHORT AS POSSIBLE, NOT TO EXCEED 3 INCHES
- ◆ 2 CAP & STOW NEAR E124

**CONTROLLING-PROPELLER SYNCHROPHASER  
(Configuration 2)**



**Beechcraft**  
**STARSHIP 1**  
**WIRING DIAGRAM MANUAL**

REFERENCE DESIGNATOR	PART NUMBER	DESCRIPTION	USABLE	
			INSTL ZONE	ON CODE
<b>61-24-00</b> <b>(Configuration 2 )</b>				
CB151	131984-5	CB-PROP SYNCHROPHASER	236	1
E124	A213796	CONT BOX ASSY-SYNCHROPHASER	175	1
E126	213181	LEFT PROP SYNC PICKUP	412	1
J1083	MS3470L12-10P	RCPT	173	1
J1089	MS3471L10-6S	RCPT	421	1
J1090	MS3476L10-6S	RCPT	411	1
P1081	906-8719	PLUG	411	1
P1082	906-8719	PLUG	421	1
P1089	MS3471L10-6P	PLUG	421	1
P1090	MS3471L10-6P	PLUG	411	1
P342	MS27473E14B18S	PLUG	175	1
P438	MS3456L10SL3S	PLUG	421	1
P439	MS3456L10SL-3S	PLUG	411	1
S148	112TW91-3	SW ASSY-PROP SYNCHROPHASER	242	1
W213	M27500-22TE2T14	CABLE-2 CNDCT	421	1
W214	M27500-22TE2T14	CABLE-2 CNDCT	422	1
W215	M27500-22TE2T14	CABLE-2 CNDCT	421	1
W216	M27500-22TE2T14	CABLE-2 CNDCT	582	1
W217	M27500-22TE2T14	CABLE-2 CNDCT	421	1
W218	M27500-22TE2T14	CABLE-2 CNDCT	411	1
W219	M27500-22TE2T14	CABLE-2 CNDCT	421	1
W242	M27500-22TE2T14	CABLE-2 CNDCT	682	1
W794	M7078/34-22-2	CABLE-2 CNDCT	421	1
W796	M7078/34-22-2	CABLE-2 CNDCT	421	1
W797	M27500-22TE2T14	CABLE-2 CNDCT	582	1
W798	M27500-22TE2T14	CABLE-2 CNDCT	682	1
W799	M27500-22TE2T14	CABLE-2 CNDCT	582	1
W800	M27500-22TE2T14	CABLE-2 CNDCT	682	1
W801	M7078/34-20-2	CABLE-2 CNDCT	411	1
W802	M7078/34-20-2	CABLE-2 CNDCT	421	1
W803	M7078/34-20-2	CABLE-2 CNDCT	411	1
W804	M7078/34-20-2	CABLE-2 CNDCT	421	1

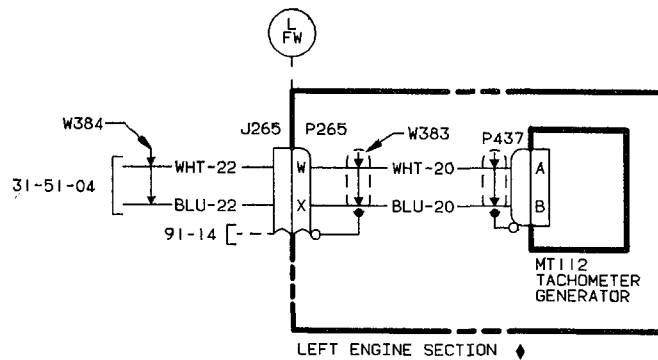
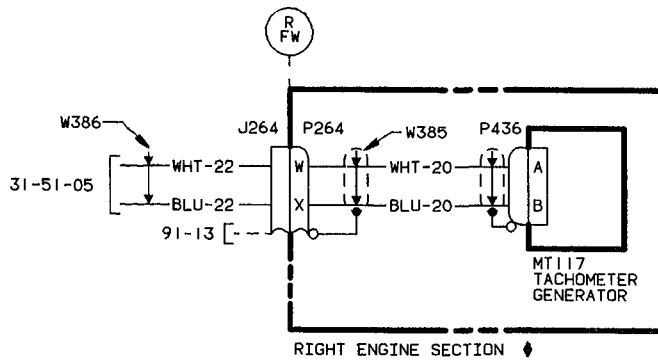
**EFFECTIVITY CODE**

1. NC-35 & AFTER

**Beechcraft**  
**STARSHIP 1**  
**WIRING DIAGRAM MANUAL**

**61-42-00**

# Beechcraft STARSHIP 1 WIRING DIAGRAM MANUAL



♦ ENGINE COMPARTMENT SHIELD  
TERMINATIONS ARE TO BE AS  
SHORT AS POSSIBLE, NOT TO  
EXCEED 3 INCHES

## INDICATING-PROPELLER TACHOMETER

**Beechcraft**  
**STARSHIP 1**  
**WIRING DIAGRAM MANUAL**

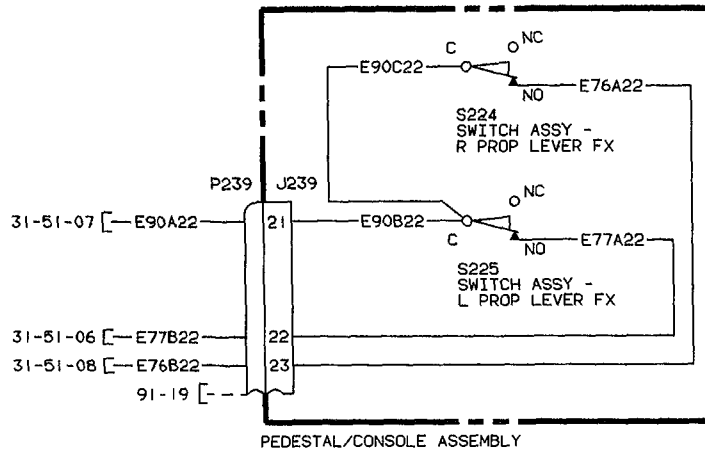
REFERENCE DESIGNATOR	PART NUMBER	DESCRIPTION	USABLE INSTL ON ZONE CODE
<b>61-42-00</b>			
MT112	50-389057-1	GENERATOR-TACHOMETER	411
MT117	50-389057-1	GENERATOR-TACHOMETER	421
P436	MS3456L12S-3S	PLUG	421
P437	MS3456L12S-3S	PLUG	411
W383	M7078/34-20-2	CABLE-2 CNDCT	411
W385	M7078/34-20-2	CABLE-2 CNDCT	421

**EFFECTIVITY CODE**

**Beechcraft**  
**STARSHIP 1**  
**WIRING DIAGRAM MANUAL**

**61-43-00**

Beechcraft  
STARSHIP 1  
WIRING DIAGRAM MANUAL



INDICATING-PROPELLER FEATHERING

**Beechcraft**  
**STARSHIP 1**  
**WIRING DIAGRAM MANUAL**

REFERENCE DESIGNATOR	PART NUMBER	DESCRIPTION	USABLE INSTL ON ZONE CODE
61-43-00			
S224	11SM3-S	SW ASSY-RIGHT PROPELLER FEATHER	239
S225	11SM3-S	SW ASSY-LEFT PROPELLER FEATHER	239

**EFFECTIVITY CODE**

**Beechcraft**  
**STARSHIP 1**  
**WIRING DIAGRAM MANUAL**  
*LIST OF PAGES & TABLE OF CONTENTS*  
*for*  
**CHAPTER 73 - ENGINE FUEL SYSTEMS**

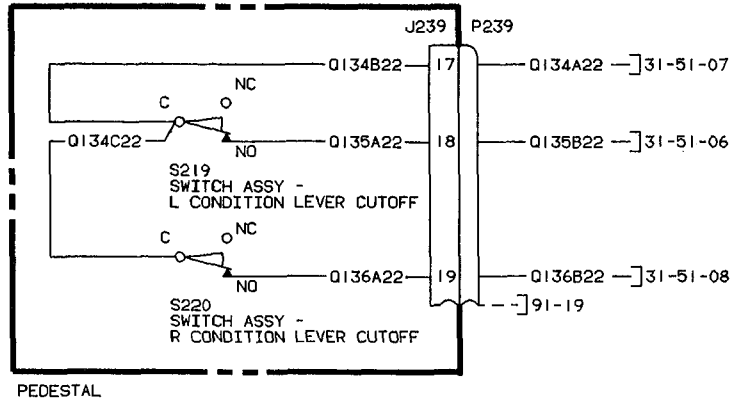
<b>SYS/SUB-SYS/ CHAP SECTION</b>	<b>PAGE NO.</b>	<b>EFFECTIVE DATE</b>	<b>TABLE OF CONTENTS</b>
<b>73-30-00</b>	Page 1	02/25/94	INDICATING-FUEL CUTOFF
	Page 2	02/25/94	
	Page 3	02/25/94	
<b>73-31-00</b>	Page 1	02/25/94	INDICATING-FUEL FLOW
	Page 2	02/25/94	
	Page 3	02/25/94	
<b>73-32-00 (Config 1)</b>	Page 1	02/25/94	HEATERS-POWER LEVER CONTROL CABLE, LH & RH ENGINE
	Page 2	02/25/94	
	Page 3	02/25/94	
<b>73-32-00 (Config 2)</b>	Page 1	02/25/94	HEATERS-POWER LEVER CONTROL CABLE, LH & RH ENGINE
	Page 2	02/25/94	
	Page 3	02/25/94	



**Beechcraft**  
**STARSHIP 1**  
**WIRING DIAGRAM MANUAL**

**73-30-00**

# Beechcraft STARSHIP 1 WIRING DIAGRAM MANUAL



INDICATING-FUEL CUTOFF

**Beechcraft**  
**STARSHIP 1**  
**WIRING DIAGRAM MANUAL**

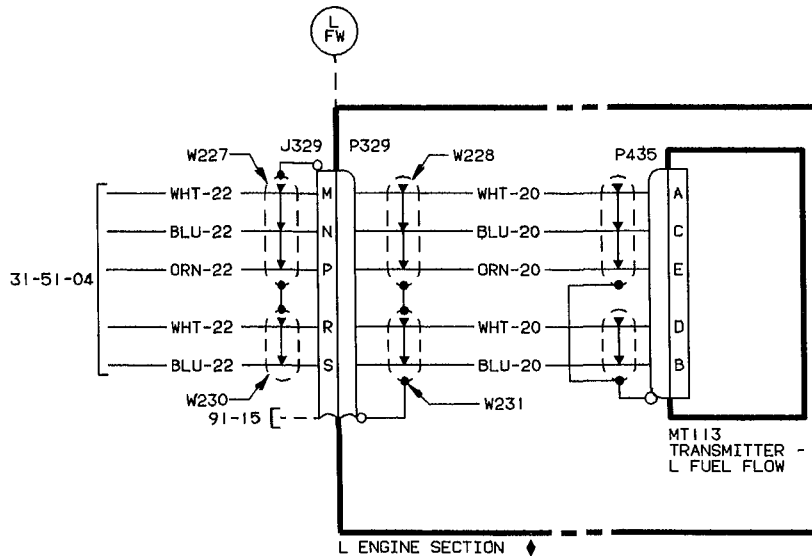
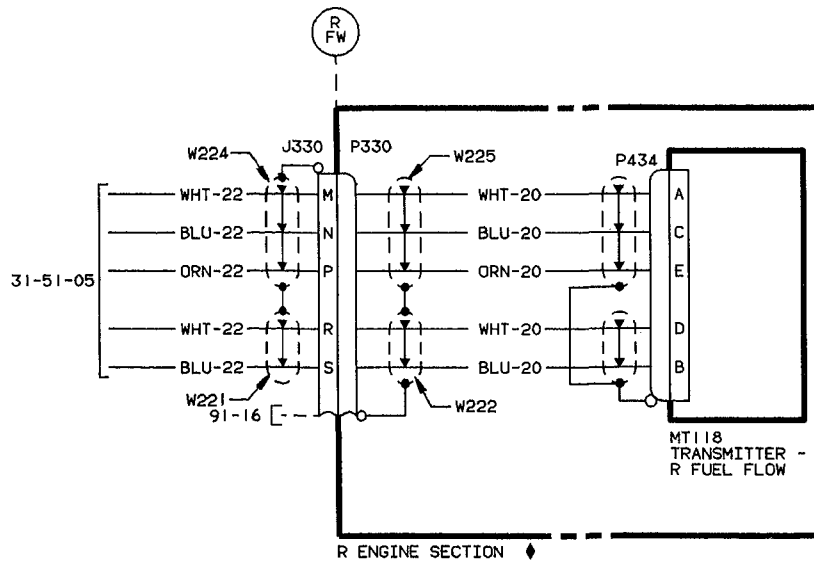
REFERENCE DESIGNATOR	PART NUMBER	DESCRIPTION	USABLE INSTL ON ZONE CODE
		73-30-00	
S219	99-524043	SW ASSY-L CONDITION LEVER CUTOFF	239
S220	99-524043	SW ASSY-R CONDITION LEVER CUTOFF	239

**EFFECTIVITY CODE**

**Beechcraft**  
**STARSHIP 1**  
**WIRING DIAGRAM MANUAL**

**73-31-00**

# Beechcraft STARSHIP 1 WIRING DIAGRAM MANUAL



♦ ENGINE COMPARTMENT SHIELD  
TERMINATIONS ARE TO BE AS  
SHORT AS POSSIBLE, NOT TO  
EXCEED 3 INCHES.

INDICATING-FUEL FLOW

Beechcraft  
**STARSHIP 1**  
**WIRING DIAGRAM MANUAL**

REFERENCE DESIGNATOR	PART NUMBER	DESCRIPTION	USABLE INSTL ON ZONE CODE
73-31-00			
MT113	122-380060-1	XMTR-LEFT FUEL FLOW	411
MT118	122-380060-1	XMTR-RIGHT FUEL FLOW	421
P434	MS3476L10-6S	PLUG	421
P435	MS3476L10-6S	PLUG	411
W221	M27500-22TE2T15	CABLE-2 CNDCT	651
W222	M27500-20TE2T15	CABLE-2 CNDCT	421
W224	M27500-22TE3T15	CABLE-3 CNDCT	651
W225	M27500-20TE3T15	CABLE-3 CNDCT	421
W227	M27500-22TE3T15	CABLE-3 CNDCT	551
W228	M27500-20TE3T15	CABLE-3 CNDCT	411
W230	M27500-22TE2T14	CABLE-2 CNDCT	551
W231	M27500-20TE3T15	CABLE-3 CNDCT	411

**EFFECTIVITY CODE**

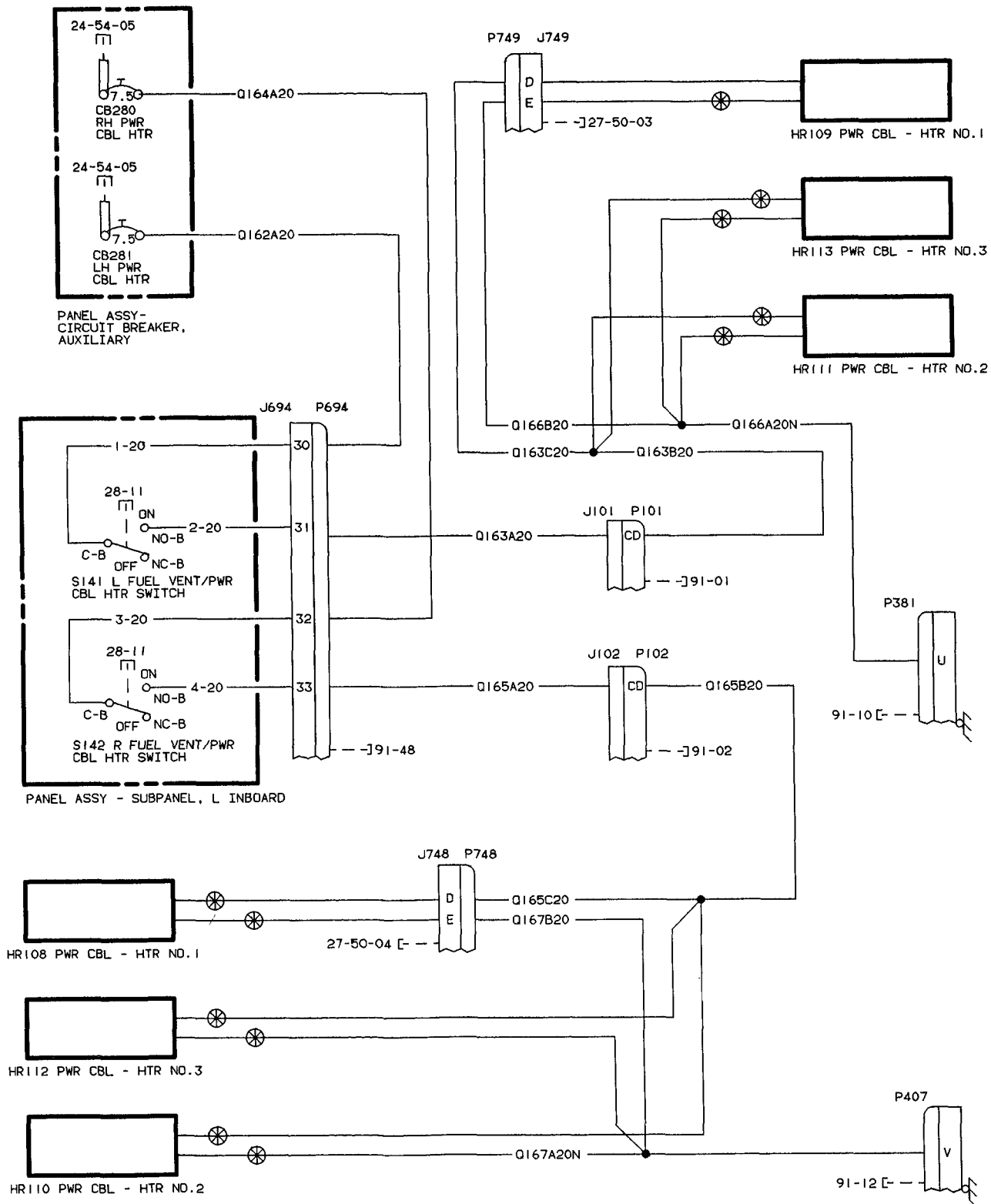
**Beechcraft**  
**STARSHIP 1**  
**WIRING DIAGRAM MANUAL**

# **73-32-00**

## **Configuration 1**

**NC-4 THRU NC-7**

# Beechcraft STARSHIP 1 WIRING DIAGRAM MANUAL



**HEATERS-POWER LEVER CONTROL CABLE, LH & RH ENGINE  
(Configuration 1)**



**Beechcraft**  
**STARSHIP 1**  
**WIRING DIAGRAM MANUAL**

REFERENCE DESIGNATOR	PART NUMBER	DESCRIPTION	USABLE	
			INSTL ZONE	ON CODE
<b>73-32-00</b> <b>(Configuration 1)</b>				
CB280	131984-7	CB-RH POWER CABLE HEATER	235	1
CB281	131984-7	CB-LH POWER CABLE HEATER	235	1
HR108	99-381045-1	POWER CABLE HEATER NO.1	171	1
HR109	99-384045-1	POWER CABLE HEATER NO.1	171	1
HR110	99-384045-1	POWER CABLE HEATER NO.2	171	1
HR111	99-384045-1	POWER CABLE HEATER NO.2	171	1
HR112	99-384045-1	POWER CABLE HEATER NO.3	171	1
HR113	99-384045-1	POWER CABLE HEATER NO.3	171	1
S141	62AT46-3	SW-L FUEL VENT/POWER CABLE HEATER	233	1
S141	MS21347-731	ALTN FOR 62AT46-3	233	1
S142	62AT46-3	SW-R FUEL VENT/POWER CABLE HEATER	233	1
S142	MS21347-731	ALTN FOR 62AT46-3	233	1

**EFFECTIVITY CODE**

1. NC-4 THRU NC-7

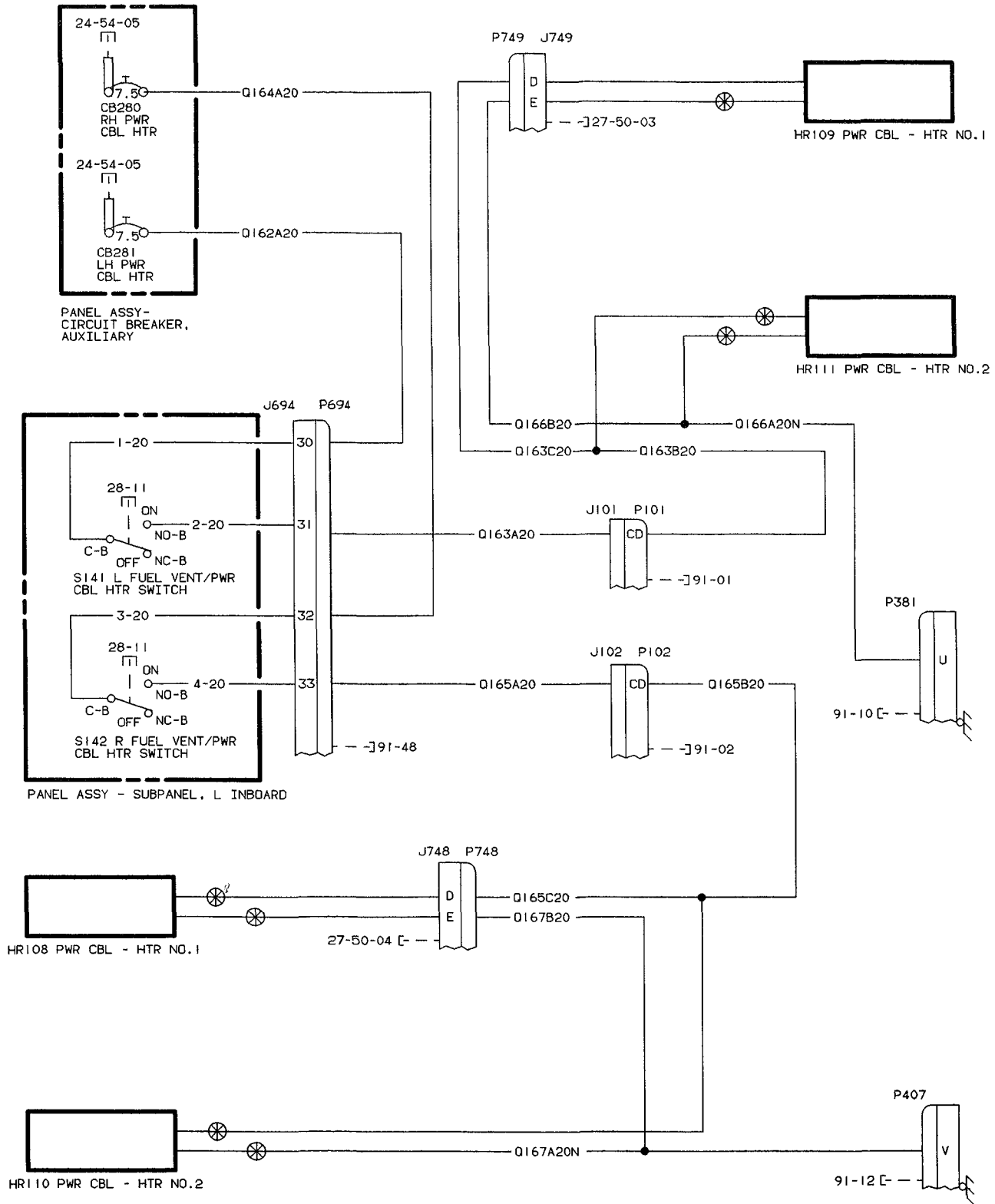
**Beechcraft**  
**STARSHIP 1**  
**WIRING DIAGRAM MANUAL**

# **73-32-00**

## **Configuration 2**

**NC-8 & AFTER**

# Beechcraft STARSHIP 1 WIRING DIAGRAM MANUAL



**HEATERS-POWER LEVER CONTROL CABLE, LH & RH ENGINE  
(Configuration 2)**

**Beechcraft**  
**STARSHIP 1**  
**WIRING DIAGRAM MANUAL**

REFERENCE DESIGNATOR	PART NUMBER	DESCRIPTION	USABLE INSTL ON ZONE CODE
<b>73-32-00</b>			
<b>(Configuration 2 )</b>			
CB280	131984-7	CB-RH POWER CABLE HEATER	235 1
CB281	131984-7	CB-LH POWER CABLE HEATER	235 1
HR108	99-381045-1	POWER CABLE HEATER NO.1	171 1
HR109	99-384045-1	POWER CABLE HEATER NO.1	171 1
HR110	99-384045-1	POWER CABLE HEATER NO.2	171 1
HR111	99-384045-1	POWER CABLE HEATER NO.2	171 1
S141	62AT46-3	SW-L FUEL VENT/POWER CABLE HEATER	233 1
S141	MS21347-731	ALTN FOR 62AT46-3	233 1
S142	62AT46-3	SW-R FUEL VENT/POWER CABLE HEATER	233 1
S142	MS21347-731	ALTN FOR 62AT46-3	233 1

**EFFECTIVITY CODE**

1. NC-8 & AFTER

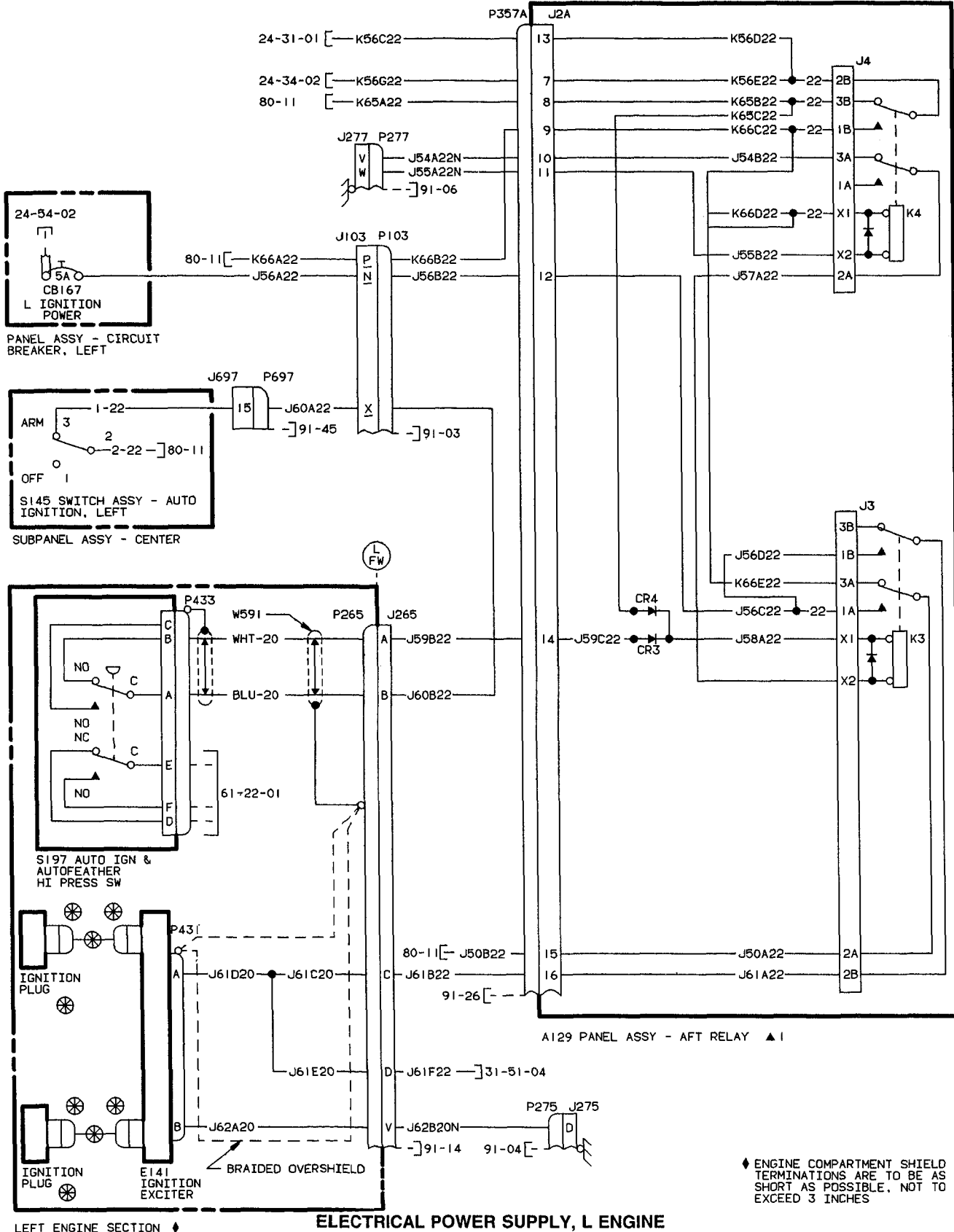
**Beechcraft**  
**STARSHIP 1**  
**WIRING DIAGRAM MANUAL**  
*LIST OF PAGES & TABLE OF CONTENTS*  
*for*  
*CHAPTER 74 - IGNITION*

<b>SYS/SUB-SYS/ CHAP SECTION</b>	<b>PAGE NO.</b>	<b>EFFECTIVE DATE</b>	<b>TABLE OF CONTENTS</b>
<b>74-11-01</b>	Page 1	02/25/94	ELECTRICAL POWER SUPPLY, L ENGINE
	Page 2	02/25/94	
	Page 3	02/25/94	
<b>74-11-02</b>	Page 1	02/25/94	ELECTRICAL POWER SUPPLY, R ENGINE
	Page 2	02/25/94	
	Page 3	02/25/94	

**Beechcraft**  
**STARSHIP 1**  
**WIRING DIAGRAM MANUAL**

**74-11-01**

# Beechcraft STARSHIP 1 WIRING DIAGRAM MANUAL



Beechcraft  
**STARSHIP 1**  
**WIRING DIAGRAM MANUAL**

REFERENCE DESIGNATOR	PART NUMBER	DESCRIPTION	USABLE	
			INSTL	ON ZONE CODE
74-11-01				
A129CR3	1N4007	DIODE		320
A129CR4	1N4007	DIODE		320
A129J3	451120-051	RCPT-RELAY		320
A129J4	451120-051	RCPT-RELAY		320
A129K3	M6106/27-023	RELAY		320
A129K4	M6106/27-023	RELAY		320
CB167	131984-5	CB-LEFT IGNITION POWER		236
P431	MS3456L12S-3S	PLUG		411
P433	MS3476L10-6S	PLUG		411
S145	112TW59-3D	SW ASSY-LEFT AUTO IGNITION		242
S197	50-389121-31	SW-L AUTOFEATHER HIGH PRES		411
W591	M27500-22TE2T14	CABLE-2 CNDCT		411

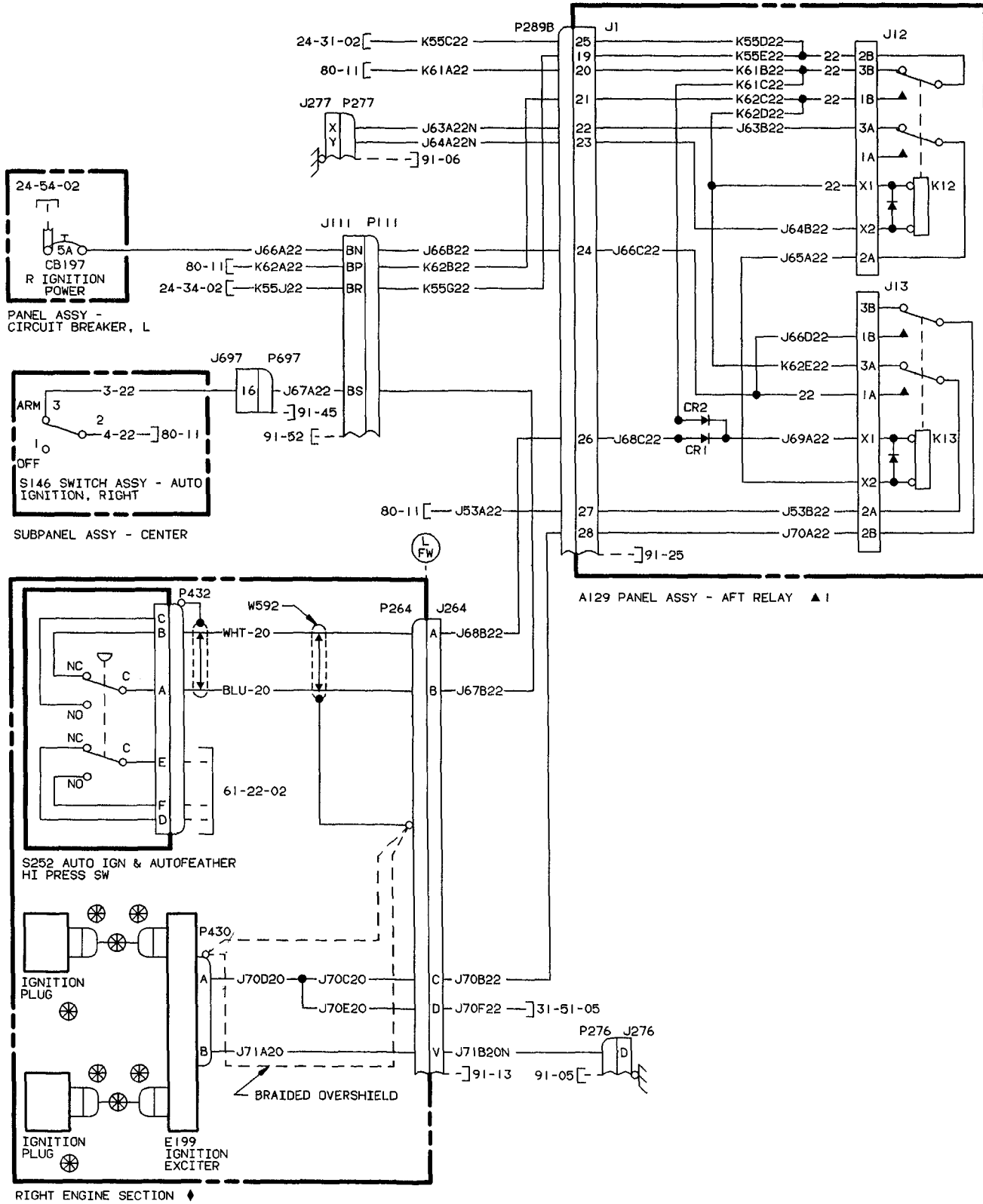
EFFECTIVITY CODE



**Beechcraft**  
**STARSHIP 1**  
**WIRING DIAGRAM MANUAL**

**74-11-02**

# Beechcraft STARSHIP 1 WIRING DIAGRAM MANUAL



◆ ENGINE COMPARTMENT SHIELD  
TERMINATIONS ARE TO BE AS  
SHORT AS POSSIBLE, NOT TO  
EXCEED 3 INCHES

## ELECTRICAL POWER SUPPLY, R ENGINE

Beechcraft  
**STARSHIP 1**  
**WIRING DIAGRAM MANUAL**

REFERENCE DESIGNATOR	PART NUMBER	DESCRIPTION	USABLE INSTL ON ZONE CODE
74-11-02			
A129CR1	1N4007	DIODE	320
A129CR2	1N4007	DIODE	320
A129J12	451120-051	RCPT-RELAY	320
A129J13	451120-051	RCPT-RELAY	320
A129K12	M6106/27-023	RELAY	320
A129K13	M6106/27-023	RELAY	320
CB197	131984-5	CB-RIGHT IGNITION POWER	236
P430	MS3456L12S-3S	PLUG	421
P432	MS3476L10-6S	PLUG	421
S146	112TW59-3D	SW ASSY-RIGHT AUTO IGNITION	242
S252	50-389121-31	SW-R AUTOFEATHER HIGH PRES	421
W592	M27500-22TE2T14	CABLE-2 CNDCT	421

**EFFECTIVITY CODE**

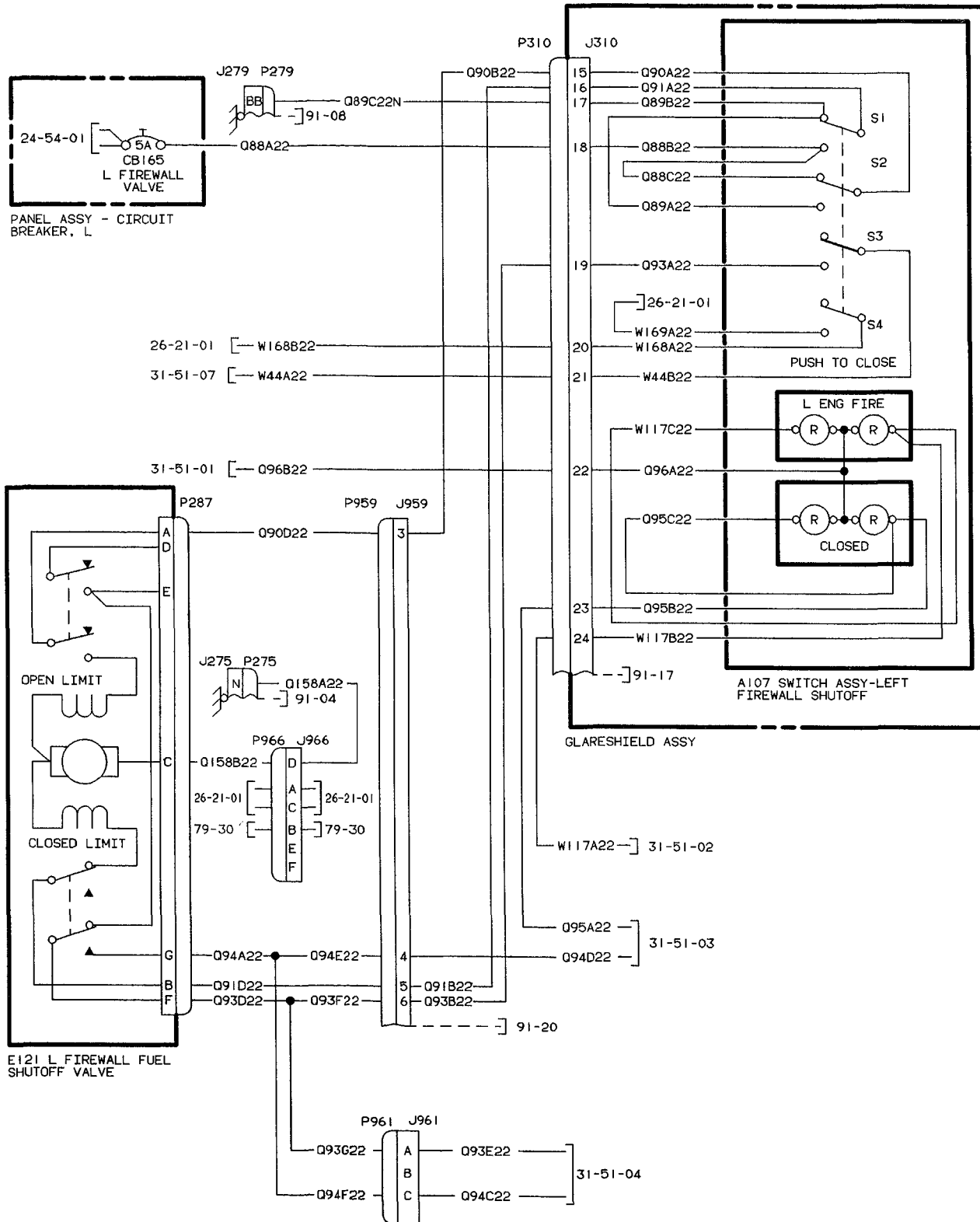
**Beechcraft**  
**STARSHIP 1**  
**WIRING DIAGRAM MANUAL**  
*LIST OF PAGES & TABLE OF CONTENTS*  
*for*  
*CHAPTER 76 - ENGINE CONTROLS*

<b>SYS/SUB-SYS/ CHAP SECTION</b>	<b>PAGE NO.</b>	<b>EFFECTIVE DATE</b>	<b>TABLE OF CONTENTS</b>
<b>76-21-01</b>	Page 1	02/25/94	EMERGENCY SHUTDOWN-LEFT FUEL
	Page 2	02/25/94	
	Page 3	02/25/94	
<b>76-21-02</b>	Page 1	02/25/94	EMERGENCY SHUTDOWN-RIGHT FUEL
	Page 2	02/25/94	
	Page 3	02/25/94	

Beechcraft  
STARSHIP 1  
WIRING DIAGRAM MANUAL

**76-21-01**

# Beechcraft STARSHIP 1 WIRING DIAGRAM MANUAL



**Beechcraft**  
**STARSHIP 1**  
**WIRING DIAGRAM MANUAL**

REFERENCE DESIGNATOR	PART NUMBER	DESCRIPTION	USABLE INSTL ON ZONE CODE
<b>76-21-01</b>			
A107	122-382033-1	SW ASSY-LEFT FIREWALL SO	257 1
A107	122-382170-1	SW ASSY-LEFT FIREWALL SO	257 2
CB165	131984-5	CB-LEFT FIREWALL VALVE	236
E121	109-389002-3	VALVE-LEFT FIREWALL FUEL SO	561
J961	MS3471L8-33P	RCPT	583
J966	MS3476L10-6S	RCPT	583
P287	MS3476L12-1S	PLUG	561
P961	MS3476L8-33S	PLUG	583
P966	MS3471L10-6P	PLUG	583

**EFFECTIVITY CODE**

1. NC-4 THRU NC-53
2. NC-54 & AFTER

**Beechcraft**  
**STARSHIP 1**  
**WIRING DIAGRAM MANUAL**

**76-21-02**





**Beechcraft**  
**STARSHIP 1**  
**WIRING DIAGRAM MANUAL**

REFERENCE DESIGNATOR	PART NUMBER	DESCRIPTION	USABLE	
			INSTL ZONE	ON CODE
<b>76-21-02</b>				
A104	122-382033-1	SW ASSY-RIGHT FIREWALL SO	257	1
A104	122-382170-1	SW ASSY-RIGHT FIREWALL SO	257	2
CB163	131984-5	CB-RIGHT FIREWALL VALVE	236	
E120	109-389002-3	VALVE-RIGHT FIREWALL FUEL SO	661	
J960	MS3471L8-33P	RCPT	683	
J965	MS3476L10-6S	RCPT	683	
P288	MS3476L12-8S	PLUG	661	
P960	MS3476L8-33S	PLUG	683	
P965	MS3471L10-6P	PLUG	683	

**EFFECTIVITY CODE**

1. NC-4 THRU NC-53
2. NC-54 & AFTER

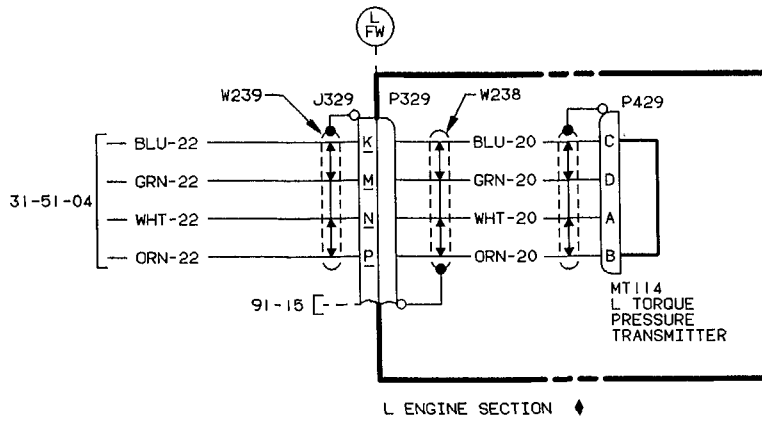
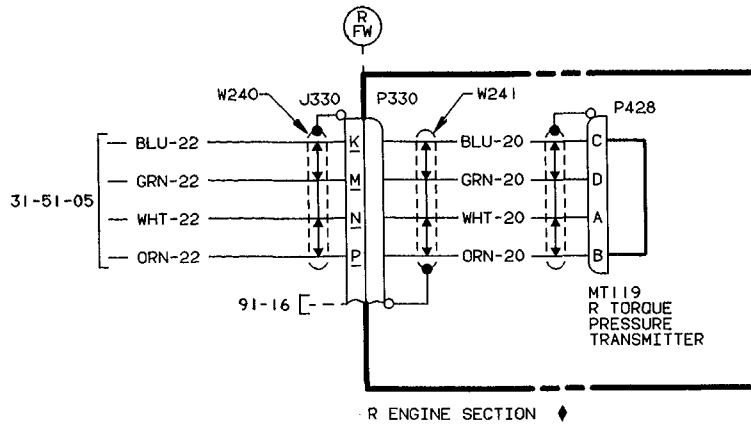
**Beechcraft**  
**STARSHIP 1**  
**WIRING DIAGRAM MANUAL**  
*LIST OF PAGES & TABLE OF CONTENTS*  
*for*  
**CHAPTER 77 - ENGINE INDICATING**

<b>SYS/SUB-SYS/ CHAP SECTION</b>	<b>PAGE NO.</b>	<b>EFFECTIVE DATE</b>	<b>TABLE OF CONTENTS</b>
77-11-00	Page 1	02/25/94	POWER-TORQUEMETERS
	Page 2	02/25/94	
	Page 3	02/25/94	
77-12-00	Page 1	02/25/94	POWER-TURBINE TACHOMETER
	Page 2	02/25/94	
	Page 3	02/25/94	
77-21-00	Page 1	02/25/94	TEMPERATURE-TURBINE GAS
	Page 2	02/25/94	
	Page 3	02/25/94	

**Beechcraft**  
**STARSHIP 1**  
**WIRING DIAGRAM MANUAL**

**77-11-00**

# Beechcraft STARSHIP 1 WIRING DIAGRAM MANUAL



♦ ENGINE COMPARTMENT SHIELD TERMINATIONS ARE TO BE AS SHORT AS POSSIBLE. NOT TO EXCEED 3 INCHES

## POWER-TORQUEMETERS

Beechcraft  
**STARSHIP 1**  
**WIRING DIAGRAM MANUAL**

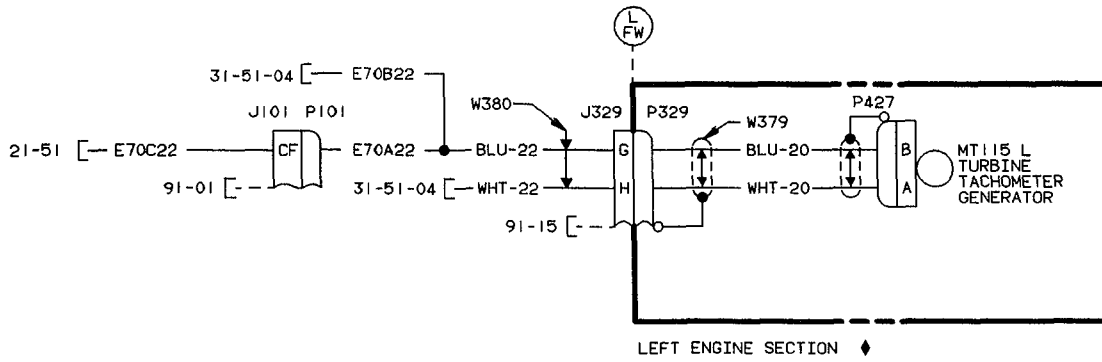
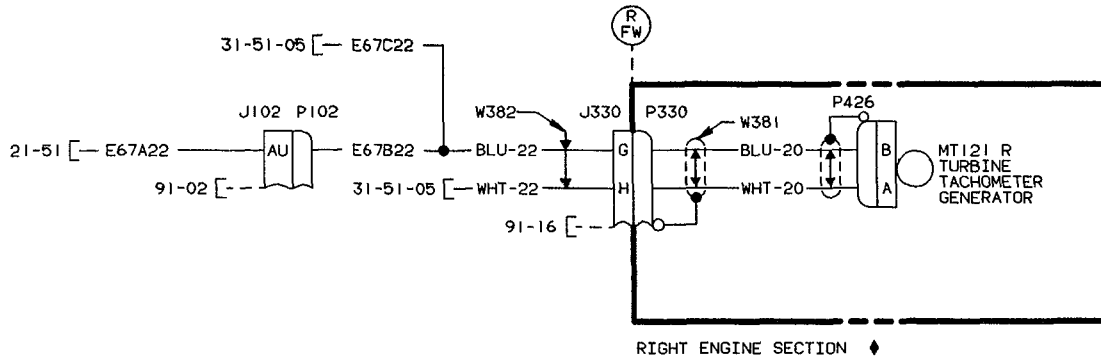
REFERENCE DESIGNATOR	PART NUMBER	DESCRIPTION	USABLE INSTL ON ZONE CODE
77-11-00			
MT114	122-389028-3	TRANSMITTER-TORQUE PRESSURE	411
MT119	122-389028-3	TRANSMITTER-TORQUE PRESSURE	421
P428	MS3456L14S-2S	PLUG	421
P429	MS3456L14S-2S	PLUG	411
W238	M27500-22TE4T14	CABLE-4 CNDCT	411
W239	M27500-22TE4T14	CABLE-4 CNDCT	551
W240	M27500-22TE4T14	CABLE-4 CNDCT	651
W241	M27500-22TE4T14	CABLE-4 CNDCT	421

**EFFECTIVITY CODE**

**Beechcraft**  
**STARSHIP 1**  
**WIRING DIAGRAM MANUAL**

**77-12-00**

# Beechcraft STARSHIP 1 WIRING DIAGRAM MANUAL



♦ ENGINE COMPARTMENT SHIELD TERMINATIONS ARE TO BE AS SHORT AS POSSIBLE. NOT TO EXCEED 3 INCHES

## POWER-TURBINE TACHOMETER



Beechcraft  
**STARSHIP 1**  
**WIRING DIAGRAM MANUAL**

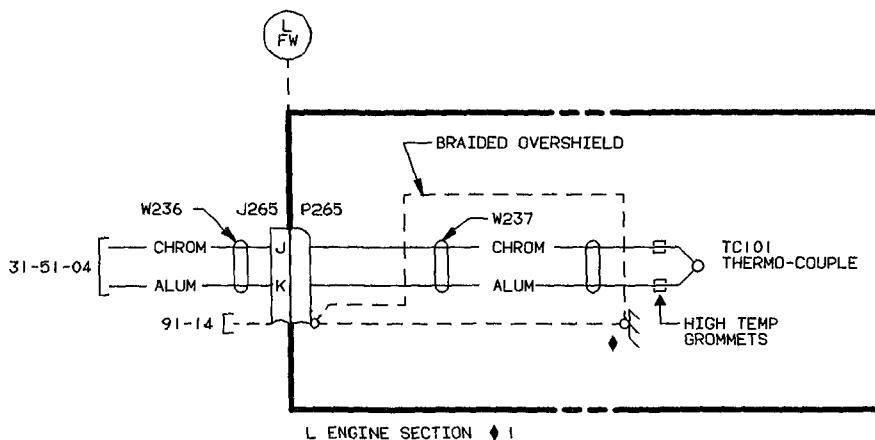
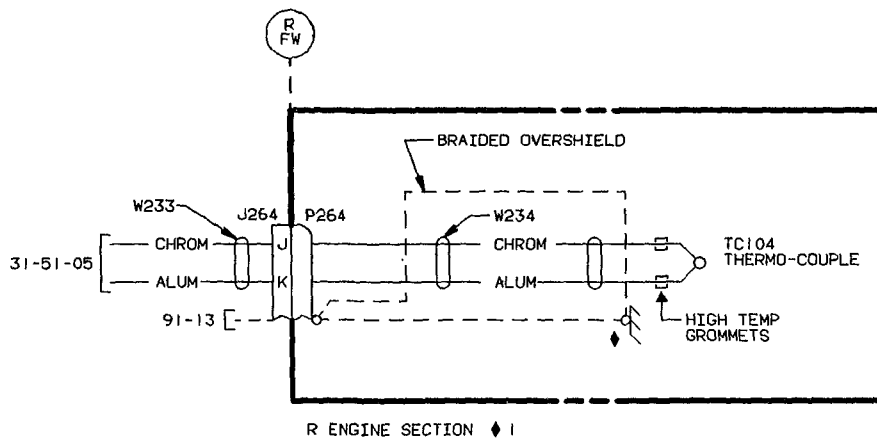
REFERENCE DESIGNATOR	PART NUMBER	DESCRIPTION	USABLE INSTL ON ZONE CODE
77-12-00			
MT115	50-389057-1	GEN-LEFT TURBINE TACHOMETER	411
MT121	50-389057-1	GEN-RIGHT TURBINE TACHOMETER	421
P426	MS3456L12S-3S	PLUG	421
P427	MS3456L12S-3S	PLUG	411
W379	M27500-22TE2T14	CABLE-2 CNDCT	411
W380	M27500-22TE2U15	CABLE-2 CNDCT	551
W381	M27500-22TE2T14	CABLE-2 CNDCT	421
W382	M27500-22TE2U15	CABLE-2 CNDCT	651

**EFFECTIVITY CODE**

**Beechcraft**  
**STARSHIP 1**  
**WIRING DIAGRAM MANUAL**

**77-21-00**

# Beechcraft STARSHIP 1 WIRING DIAGRAM MANUAL



♦ I ENGINE COMPARTMENT SHIELD TERMINATIONS ARE TO BE AS SHORT AS POSSIBLE, NOT TO EXCEED 3 INCHES

♦ GROUND TO BRACKET USED TO SUPPORT FIRE DETECTOR SENSOR

## TEMPERATURE-TURBINE GAS

**Beechcraft**  
**STARSHIP 1**  
**WIRING DIAGRAM MANUAL**

REFERENCE DESIGNATOR	PART NUMBER	DESCRIPTION	USABLE	
			INSTL ZONE	ON CODE
77-21-00				
W234	M27500-22TE2U15	CABLE-2 CNDCT		421
W237	M27500-22TE2U15	CABLE-2 CNDCT		411

EFFECTIVITY CODE

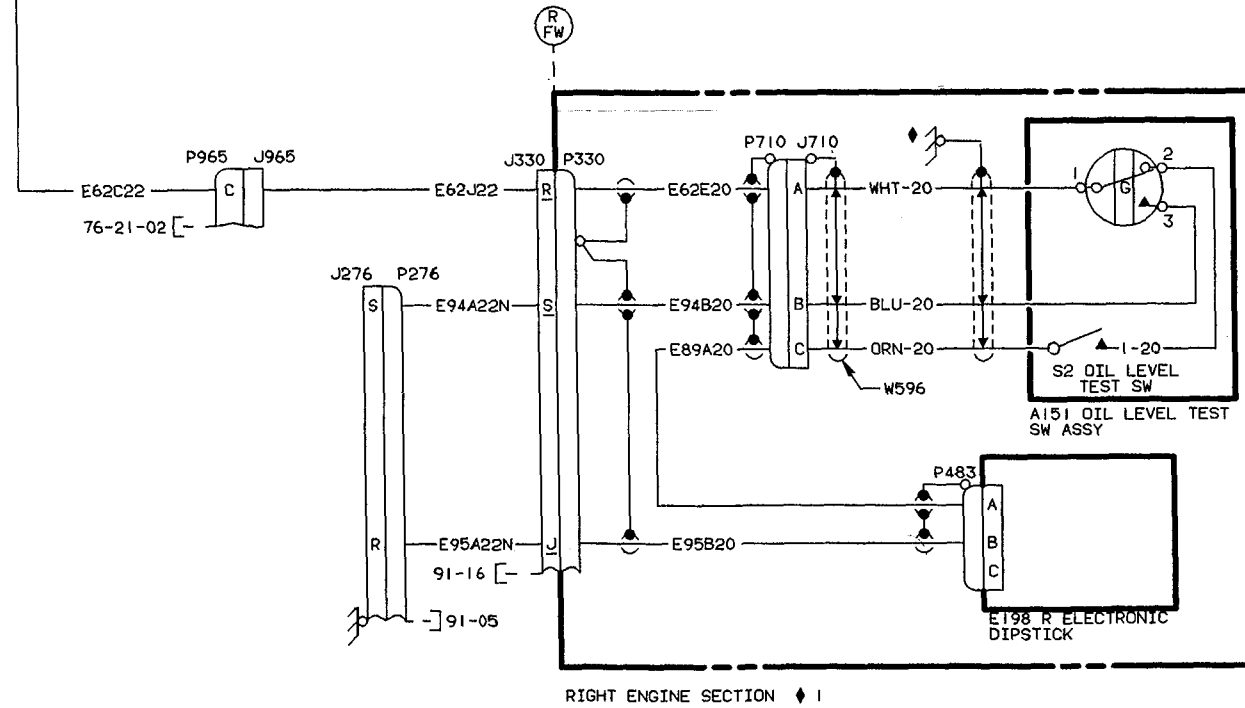
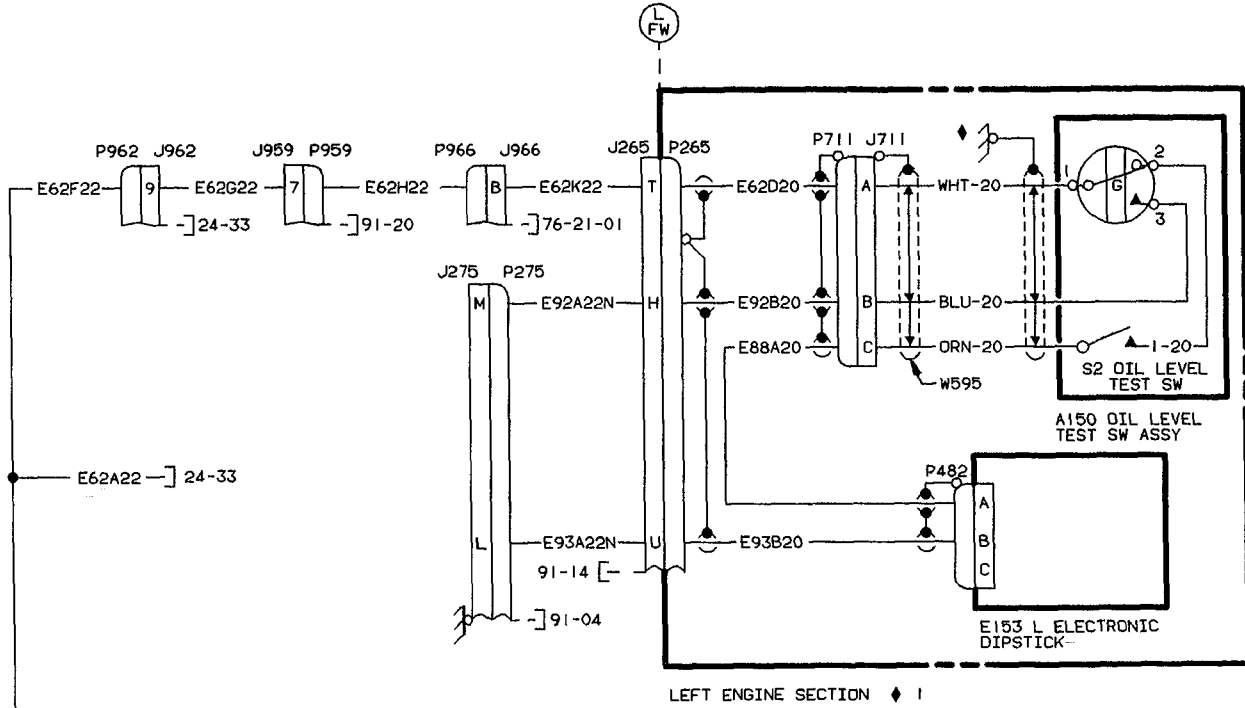
**Beechcraft**  
**STARSHIP 1**  
**WIRING DIAGRAM MANUAL**  
*LIST OF PAGES & TABLE OF CONTENTS*  
*for*  
**CHAPTER 79 - OIL**

<b>SYS/SUB-SYS/ CHAP SECTION</b>	<b>PAGE NO.</b>	<b>EFFECTIVE DATE</b>	<b>TABLE OF CONTENTS</b>
<b>79-30-00</b>	Page 1	02/25/94	INDICATING-ELECTRONIC DIPSTICK
	Page 2	02/25/94	
	Page 3	02/25/94	
<b>79-31-00</b>	Page 1	02/25/94	INDICATING-OIL TEMPERATURE
	Page 2	02/25/94	
	Page 3	02/25/94	
<b>79-32-00</b>	Page 1	02/25/94	INDICATING-CHIP DETECTOR
	Page 2	02/25/94	
	Page 3	02/25/94	
<b>79-33-00</b>	Page 1	02/25/94	INDICATING-OIL PRESSURE WARNING
	Page 2	02/25/94	
	Page 3	02/25/94	
<b>79-34-00</b>	Page 1	02/25/94	INDICATING-OIL PRESSURE
	Page 2	02/25/94	
	Page 3	02/25/94	

Beechcraft  
STARSHIP 1  
WIRING DIAGRAM MANUAL

**79-30-00**

# Beechcraft STARSHIP 1 WIRING DIAGRAM MANUAL



♦ I ENGINE COMPARTMENT SHIELD TERMINATIONS ARE TO BE AS SHORT AS POSSIBLE, NOT TO EXCEED 3 INCHES

♦ GROUND TO BRACKET SUPPORTING OIL LEVEL TEST SWITCH

## INDICATING-ELECTRONIC DIPSTICK

Beechcraft  
STARSHIP 1  
WIRING DIAGRAM MANUAL

REFERENCE DESIGNATOR	PART NUMBER	DESCRIPTION	USABLE	
			INSTL ZONE	ON CODE
79-30-00				
A150	MS25041-7-327	INDICATOR-OIL LEVEL TEST		421
A150S2	P1-32112	SW-RIGHT OIL LEVEL TEST		421
A151	MS25041-7-327	INDICATOR-OIL LEVEL TEST		411
A151S2	P1-32112	SW-LEFT OIL LEVEL TEST		411
J710	MS3471L8-33P	RCPT		421
J711	MS3471L8-33P	RCPT		411
J962	LMD-3001-P	RCPT		286
J965	MS3476L10-6S	RCPT		683
J966	MS3476L10-6S	RCPT		583
P482	D38999/26FA98SN	PLUG		411
P483	D38999/26FA98SN	PLUG		421
P710	MS3476L8-33S	PLUG		421
P711	MS3476L8-33S	PLUG		411
P962	LMD-3001-S	PLUG		286
P965	MS3471L10-6P	PLUG		683
P966	MS3471L10-6P	PLUG		583
W595	M27500-20TE3T14	CABLE-3 CNDCT		411
W596	M27500-20TE3T14	CABLE-3 CNDCT		421

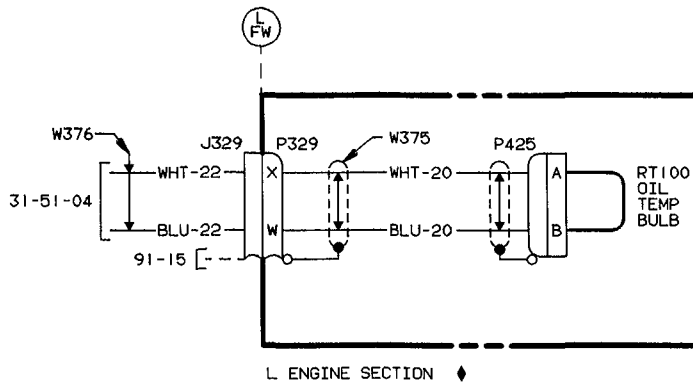
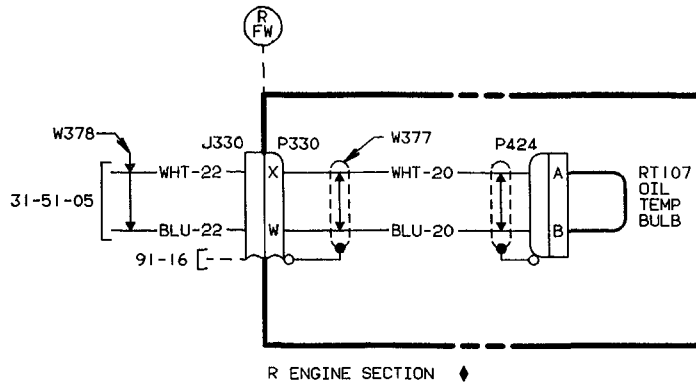
EFFECTIVITY CODE



**Beechcraft**  
**STARSHIP 1**  
**WIRING DIAGRAM MANUAL**

**79-31-00**

# Beechcraft STARSHIP 1 WIRING DIAGRAM MANUAL



♦ ENGINE COMPARTMENT SHIELD TERMINATIONS ARE TO BE AS SHORT AS POSSIBLE, NOT TO EXCEED 3 INCHES

## INDICATING-OIL TEMPERATURE

Beechcraft  
**STARSHIP 1**  
**WIRING DIAGRAM MANUAL**

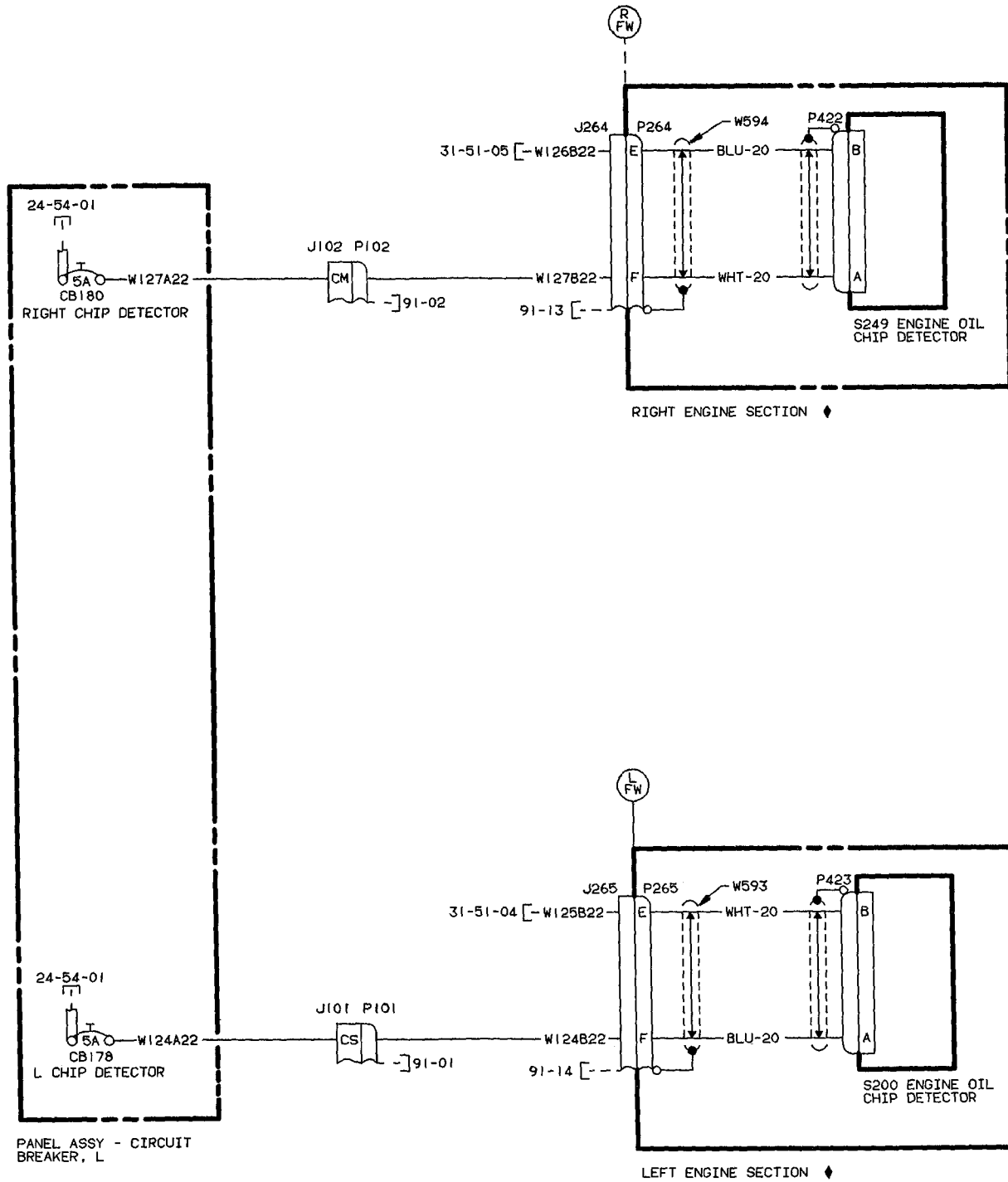
REFERENCE DESIGNATOR	PART NUMBER	DESCRIPTION	USABLE	
			INSTL	ON ZONE CODE
79-31-00				
P424	MS3456L12S-3S	PLUG		421
P425	MS3456L12S-3S	PLUG		411
RT100	MS28034	BULB-LEFT OIL TEMP		411
RT107	MS28034	BULB-RIGHT OIL TEMP		421
W375	M27500-20TE2T14	CABLE-2 CNDCT		411
W376	M27500-22TE2U15	CABLE-2 CNDCT		551
W377	M27500-20TE2T14	CABLE-2 CNDCT		421
W378	M27500-22TE2U15	CABLE-2 CNDCT		651

**EFFECTIVITY CODE**

**Beechcraft**  
**STARSHIP 1**  
**WIRING DIAGRAM MANUAL**

**79-32-00**

# Beechcraft STARSHIP 1 WIRING DIAGRAM MANUAL



◆ ENGINE COMPARTMENT SHIELD TERMINATIONS ARE TO BE AS SHORT AS POSSIBLE, NOT TO EXCEED 3 INCHES

## INDICATING-CHIP DETECTOR

**Beechcraft**  
**STARSHIP 1**  
**WIRING DIAGRAM MANUAL**

REFERENCE DESIGNATOR	PART NUMBER	DESCRIPTION	USABLE
			INSTL ON ZONE CODE
79-32-00			
CB178	131984-5	CB-LEFT CHIP DETECTOR	236
CB180	131984-5	CB-RIGHT CHIP DETECTOR	236
P422	MS3456L12S-3S	PLUG	421
P423	MS3456L12S-3S	PLUG	411
W593	M27500-20TE2T14	CABLE-2 CNDCT	411
W594	M27500-20TE2T14	CABLE-2 CNDCT	421

**EFFECTIVITY CODE**

**Beechcraft**  
**STARSHIP 1**  
**WIRING DIAGRAM MANUAL**

**79-33-00**





**Beechcraft**  
**STARSHIP 1**  
**WIRING DIAGRAM MANUAL**

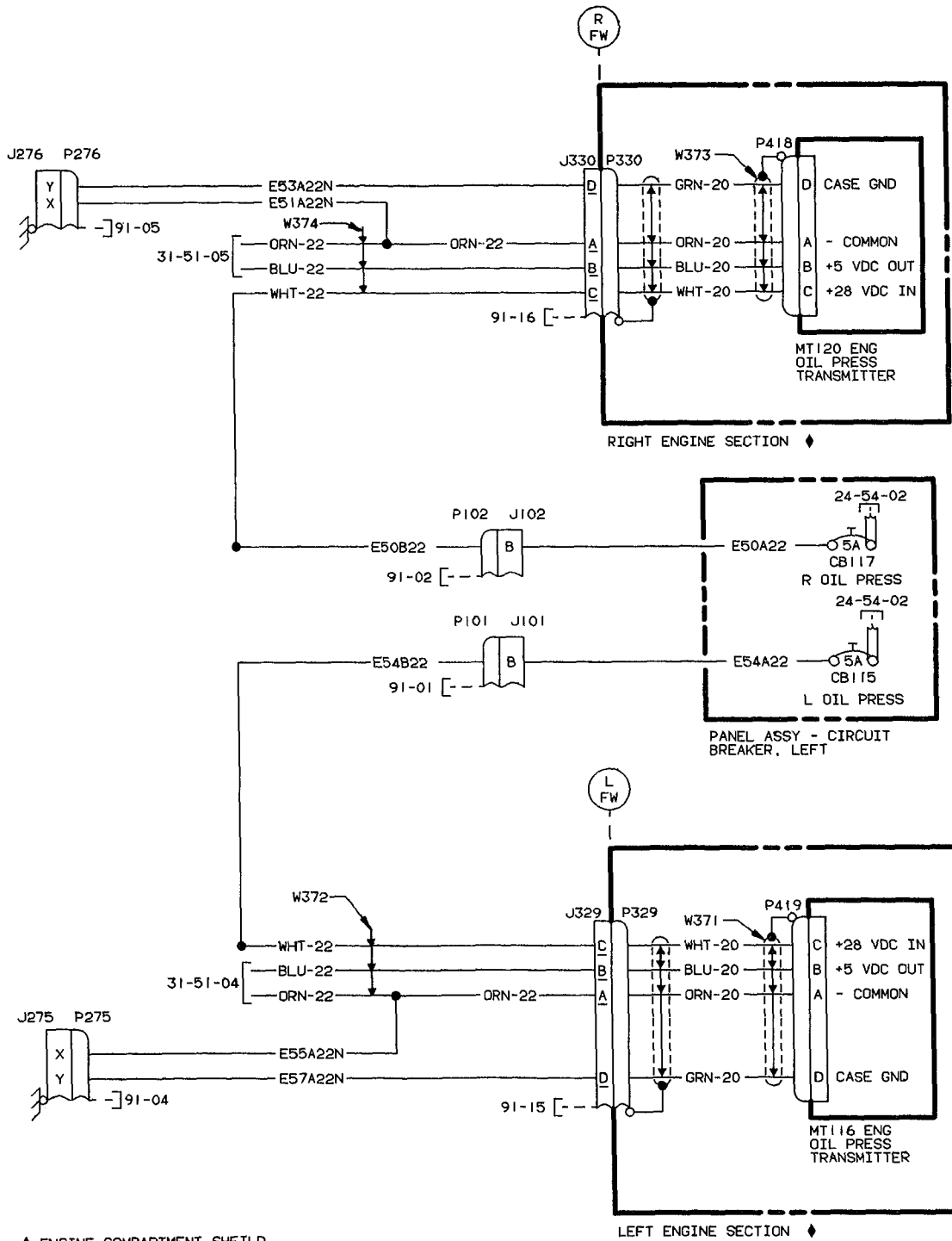
REFERENCE DESIGNATOR	PART NUMBER	DESCRIPTION	USABLE INSTL ON ZONE CODE
<b>79-33-00</b>			
CB190	131984-5	CB-RIGHT OIL PRESSURE WARN	236
CB191	131984-5	CB-LEFT OIL PRESSURE WARN	236
P420	MS3456L10SL-3S	PLUG-RIGHT OIL PRESS WARN	421
P421	MS3456L10SL-3S	PLUG-LEFT OIL PRESS WARN	411
S199	50-389121-15	ENGINE OIL PRESS WARNING	411
S250	50-389121-15	ENGINE OIL PRESS WARNING	421
W367	M27500-20TE3T14	CABLE-3 CNDCT	421
W368	M27500-22TE2U15	CABLE-2 CNDCT	172
W369	M27500-20TE3T14	CABLE-3 CNDCT	411
W370	M27500-22TE2U15	CABLE-2 CNDCT	172

**EFFECTIVITY CODE**

**Beechcraft**  
**STARSHIP 1**  
**WIRING DIAGRAM MANUAL**

**79-34-00**

# Beechcraft STARSHIP 1 WIRING DIAGRAM MANUAL



◆ ENGINE COMPARTMENT SHIELD  
TERMINATIONS ARE TO BE AS  
SHORT AS POSSIBLE, NOT TO  
EXCEED 3 INCHES

## INDICATING-OIL PRESSURE

Beechcraft  
**STARSHIP 1**  
**WIRING DIAGRAM MANUAL**

REFERENCE DESIGNATOR	PART NUMBER	DESCRIPTION	USABLE	
			INSTL	ON ZONE CODE
<b>79-34-00</b>				
CB115	131984-5	CB-LEFT OIL PRESSURE		236
CB117	131984-5	CB-RIGHT OIL PRESSURE		236
MT116	101-389023	XMTR-LEFT OIL PRESSURE		411
MT120	101-389023	XMTR-RIGHT OIL PRESSURE		421
P418	MS3116F8-4S	PLUG-RIGHT OIL PRESS XMTR		421
P419	MS3116F8-4S	PLUG-LEFT OIL PRESS XMTR		411
W371	M27500-20TE4T14	CABLE-4 CNDCT		411
W372	M27500-22TE3U15	CABLE-3 CNDCT		551
W373	M27500-20TE4T14	CABLE-4 CNDCT		421
W374	M27500-22TE3U15	CABLE-3 CNDCT		651

**EFFECTIVITY CODE**

**Beechcraft**  
**STARSHIP 1**  
**WIRING DIAGRAM MANUAL**  
*LIST OF PAGES & TABLE OF CONTENTS*  
*for*  
**CHAPTER 80 - STARTING**

<b>SYS/SUB-SYS/ CHAP SECTION</b>	<b>PAGE NO.</b>	<b>EFFECTIVE DATE</b>	<b>TABLE OF CONTENTS</b>
<b>80-11-00</b>	Page 1	02/25/94	CRANKING-ENGINE START
	Page 2	02/25/94	
	Page 3	02/25/94	

Beechcraft  
STARSHIP 1  
WIRING DIAGRAM MANUAL

**80-11-00**



**Beechcraft**  
**STARSHIP 1**  
**WIRING DIAGRAM MANUAL**

REFERENCE DESIGNATOR	PART NUMBER	DESCRIPTION	USABLE	
			INSTL	ON ZONE CODE
<b>80-11-00</b>				
CB113	131984-5	CB-LEFT START CONTROL		236
CB120	131984-5	CB-RIGHT START CONTROL		236
CR198	1N4007	DIODE		651
CR199	1N4007	DIODE		551
E118	122-389027-1	VALVE-RIGHT PURGE		651
E119	122-389027-1	VALVE-LEFT PURGE		551
P283	MS3456L10SL-3S	PLUG		551
P284	MS3456L10SL-3S	PLUG		651
S150	112TW59-5M	SW-L ENG START & IGN CONT		242
S151	112TW59-5M	SW-R ENG START & IGN CONT		242
W576	109-361022-49	FW WIRE FEEDTHRU ASSY-L GEN		583
W578	109-361022-43	FW WIRE FEEDTHRU ASSY-R GEN		683

**EFFECTIVITY CODE**



**Beechcraft**  
**STARSHIP 1**  
**WIRING DIAGRAM MANUAL**  
*LIST OF PAGES & TABLE OF CONTENTS*  
*for*  
**CHAPTER 91 - CHARTS**

<b>SYS/SUB-SYS/ CHAP SECTION</b>	<b>PAGE NO.</b>	<b>EFFECTIVE DATE</b>	<b>TABLE OF CONTENTS</b>
<b>91-00-01</b>	Page 1	02/25/94	GENERAL-SCHEMATIC, TEST SWITCH PANEL, SUBPANEL, L OUTBOARD (A156)
	Page 2	02/25/94	
	Page 3	02/25/94	
<b>91-01-00 (Config 1)</b>	Page 1	02/25/94	CONNECTOR-LEFT FUSELAGE BREAK #1 (J/P101)
	Page 2	02/25/94	
	Page 3	02/25/94	
<b>91-01-00 (Config 2)</b>	Page 1	02/25/94	CONNECTOR-LEFT FUSELAGE BREAK #1 (J/P101)
	Page 2	02/25/94	
	Page 3	02/25/94	
<b>91-02-00</b>	Page 1	02/25/94	CONNECTOR-RIGHT FUSELAGE BREAK #1 (J/P102)
	Page 2	02/25/94	
	Page 3	02/25/94	
<b>91-03-00</b>	Page 1	02/25/94	CONNECTOR-LEFT FUSELAGE BREAK #2 (J/P103)
	Page 2	02/25/94	
	Page 3	02/25/94	
<b>91-04-00</b>	Page 1	02/25/94	CONNECTOR-LEFT NACELLE GROUND BLOCK (J/P275)
	Page 2	02/25/94	
	Page 3	02/25/94	
<b>91-05-00</b>	Page 1	02/25/94	CONNECTOR-RIGHT NACELLE GROUND BLOCK (J/P276)
	Page 2	02/25/94	
	Page 3	02/25/94	
<b>91-06-00</b>	Page 1	02/25/94	CONNECTOR-TAIL GROUND BLOCK #1 (J/P277)
	Page 2	02/25/94	
	Page 3	02/25/94	
<b>91-07-00</b>	Page 1	02/25/94	CONNECTOR-COCKPIT GROUND BLOCK (J/P278)
	Page 2	02/25/94	
	Page 3	02/25/94	
<b>91-08-00 (Config 1)</b>	Page 1	02/25/94	CONNECTOR-LEFT SUBPANEL GROUND BLOCK (J/P279)
	Page 2	02/25/94	
	Page 3	02/25/94	
<b>91-08-00 (Config 2)</b>	Page 1	02/25/94	CONNECTOR-LEFT SUBPANEL GROUND BLOCK (J/P279)
	Page 2	02/25/94	
	Page 3	02/25/94	
<b>91-09-00 (Config 1)</b>	Page 1	02/25/94	CONNECTOR-RIGHT SUBPANEL GROUND BLOCK (J/P280)
	Page 2	02/25/94	
	Page 3	02/25/94	
<b>91-09-00 (Config 2)</b>	Page 1	02/25/94	CONNECTOR-RIGHT SUBPANEL GROUND BLOCK (J/P280)
	Page 2	02/25/94	
	Page 3	02/25/94	
<b>91-10-00</b>	Page 1	02/25/94	CONNECTOR-LEFT CENTER WING GROUND BLOCK (J/P381)
	Page 2	02/25/94	
	Page 3	02/25/94	
<b>91-11-00</b>	Page 1	02/25/94	CONNECTOR-TAIL GROUND BLOCK #2 (J/P306)
	Page 2	02/25/94	
	Page 3	02/25/94	

**Beechcraft**  
**STARSHIP 1**  
**WIRING DIAGRAM MANUAL**  
*LIST OF PAGES & TABLE OF CONTENTS*  
*for*  
**CHAPTER 91 - CHARTS (Continued)**

<b>SYS/SUB-SYS/ CHAP SECTION</b>	<b>PAGE NO.</b>	<b>EFFECTIVE DATE</b>	<b>TABLE OF CONTENTS</b>
91-12-00	Page 1	02/25/94	CONNECTOR-RIGHT CENTER WING GROUND BLOCK (J/P407)
	Page 2	02/25/94	
	Page 3	02/25/94	
91-13-00	Page 1	02/25/94	CONNECTOR-RIGHT FIREWALL #1 BREAK (J/P264)
	Page 2	02/25/94	
	Page 3	02/25/94	
91-14-00	Page 1	02/25/94	CONNECTOR-LEFT FIREWALL #1 BREAK (J/P265)
	Page 2	02/25/94	
	Page 3	02/25/94	
91-15-00	Page 1	02/25/94	CONNECTOR-LEFT FIREWALL #2 BREAK (J/P329)
	Page 2	02/25/94	
	Page 3	02/25/94	
91-16-00	Page 1	02/25/94	CONNECTOR-RIGHT FIREWALL #2 BREAK (J/P330)
	Page 2	02/25/94	
	Page 3	02/25/94	
91-17-00	Page 1	02/25/94	CONNECTOR-GLARESHIELD #1 (J/P310)
	Page 2	02/25/94	
	Page 3	02/25/94	
91-19-00	Page 1	02/25/94	CONNECTOR-PEDESTAL (J/P239)
	Page 2	02/25/94	
	Page 3	02/25/94	
91-20-00	Page 1	02/25/94	CONNECTOR-BATTERY CABLE (J/P959)
	Page 2	02/25/94	
	Page 3	02/25/94	
91-21-00	Page 1	02/25/94	CONNECTOR-R WING BREAK (J/P382)
	Page 2	02/25/94	
	Page 3	02/25/94	
91-22-00	Page 1	02/25/94	CONNECTOR-L WING BREAK (J/P383)
	Page 2	02/25/94	
	Page 3	02/25/94	
91-23-00	Page 1	02/25/94	CONNECTOR-TEST SW PANEL, SUBPANEL, L OUTBD (J/P485, A156)
	Page 2	02/25/94	
	Page 3	02/25/94	
91-24-00	Page 1	02/25/94	CONNECTOR-AFT RELAY PANEL CONN #1 SECT A (P289A, A129J1A)
	Page 2	02/25/94	
	Page 3	02/25/94	
91-25-00	Page 1	02/25/94	CONNECTOR-AFT RELAY PANEL CONN #1 SECT B (P289B, A129J1B)
	Page 2	02/25/94	
	Page 3	02/25/94	
91-26-00	Page 1	02/25/94	CONNECTOR-AFT RELAY PANEL CONN #2 SECT A (P357A, A129J2A)
	Page 2	02/25/94	
	Page 3	02/25/94	
91-27-00	Page 1	02/25/94	CONNECTOR-AFT RELAY PANEL CONN #2 SECT B (P357B, A129J2B)
	Page 2	02/25/94	
	Page 3	02/25/94	
91-28-00	Page 1	02/25/94	CONNECTOR-L NACELLE POWER RELAY PANEL (P223, A116J1)
	Page 2	02/25/94	
	Page 3	02/25/94	

# Beechcraft

## STARSHIP 1

### WIRING DIAGRAM MANUAL

#### LIST OF PAGES & TABLE OF CONTENTS

for

#### CHAPTER 91 - CHARTS (Continued)

SYS/SUB-SYS/ CHAP SECTION	PAGE NO.	EFFECTIVE DATE	TABLE OF CONTENTS
91-29-00	Page 1	02/25/94	CONNECTOR-R NACELLE POWER RELAY PANEL (P224, A117J1)
	Page 2	02/25/94	
	Page 3	02/25/94	
91-30-00	Page 1	02/25/94	CONNECTOR-BATTERY CABLE (J/P963)
	Page 2	02/25/94	
	Page 3	02/25/94	
91-31-00	Page 1	02/25/94	CONNECTOR-R SAFETY SWITCH (J/P390)
	Page 2	02/25/94	
	Page 3	02/25/94	
91-32-00	Page 1	02/25/94	CONNECTOR-L SAFETY SWITCH (J/P391)
	Page 2	02/25/94	
	Page 3	02/25/94	
91-33-00	Page 1	02/25/94	CONNECTOR-LEFT FUSELAGE BREAK #3 (J/P647)
	Page 2	02/25/94	
	Page 3	02/25/94	
91-37-00	Page 1	02/25/94	CONNECTOR-ANN & FIRE DETECTION TEST PCB (P309, A130J1)
	Page 2	02/25/94	
	Page 3	02/25/94	
91-38-00	Page 1	02/25/94	CONNECTOR-FORWARD BAGGAGE COMPARTMENT (J/P801)
	Page 2	02/25/94	
	Page 3	02/25/94	
91-39-00	Page 1	02/25/94	CONNECTOR-RELAY PCB (P341, A134J1)
	Page 2	02/25/94	
	Page 3	02/25/94	
91-40-00	Page 1	02/25/94	CONNECTOR-RELAY PCB (P760, A182J1)
	Page 2	02/25/94	
	Page 3	02/25/94	
91-41-00	Page 1	02/25/94	CONNECTOR-LEFT SIDEWALL (J/P877)
	Page 2	02/25/94	
	Page 3	02/25/94	
91-42-00	Page 1	02/25/94	CONNECTOR-RELAY PCB (P931, A211J1)
	Page 2	02/25/94	
	Page 3	02/25/94	
91-44-00	Page 1	02/25/94	CONNECTOR-BREAK, R CIRCUIT BREAKER PANEL (J/P892)
	Page 2	02/25/94	
	Page 3	02/25/94	
91-45-00	Page 1	02/25/94	CONNECTOR-PANEL ASSY, SUBPANEL, CENTER (J/P697)
	Page 2	02/25/94	
	Page 3	02/25/94	
91-46-00	Page 1	02/25/94	CONNECTOR-PANEL ASSY, SUBPANEL, CENTER (J/P696)
	Page 2	02/25/94	
	Page 3	02/25/94	
91-47-00 (Config 1)	Page 1	02/25/94	CONNECTOR-FORWARD BAGGAGE COMPARTMENT (J/P698)
	Page 2	02/25/94	
	Page 3	02/25/94	
91-47-00 (Config 2)	Page 1	02/25/94	CONNECTOR-FORWARD BAGGAGE COMPARTMENT (J/P698)
	Page 2	02/25/94	
	Page 3	02/25/94	

**Beechcraft**  
**STARSHIP 1**  
**WIRING DIAGRAM MANUAL**  
**LIST OF PAGES & TABLE OF CONTENTS**  
*for*  
**CHAPTER 91 - CHARTS (Continued)**

<b>SYS/SUB-SYS/ CHAP SECTION</b>	<b>PAGE NO.</b>	<b>EFFECTIVE DATE</b>	<b>TABLE OF CONTENTS</b>
<b>91-48-00</b>	Page 1	02/25/94	CONNECTOR-PANEL ASSY, SUBPANEL, L INBOARD (J/P695)
	Page 2	02/25/94	
	Page 3	02/25/94	
<b>91-49-00</b>	Page 1	02/25/94	CONNECTOR-PANEL ASSY, SUBPANEL, L INBOARD (J/P694)
	Page 2	02/25/94	
	Page 3	02/25/94	
<b>91-50-00</b>	Page 1	02/25/94	CONNECTOR-PRESSURE DOME BREAK (J/P800)
	Page 2	02/25/94	
	Page 3	02/25/94	
<b>91-52-00</b>	Page 1	02/25/94	CONNECTOR-RIGHT FUSELAGE BREAK #2 (J/P111)
	Page 2	02/25/94	
	Page 3	02/25/94	

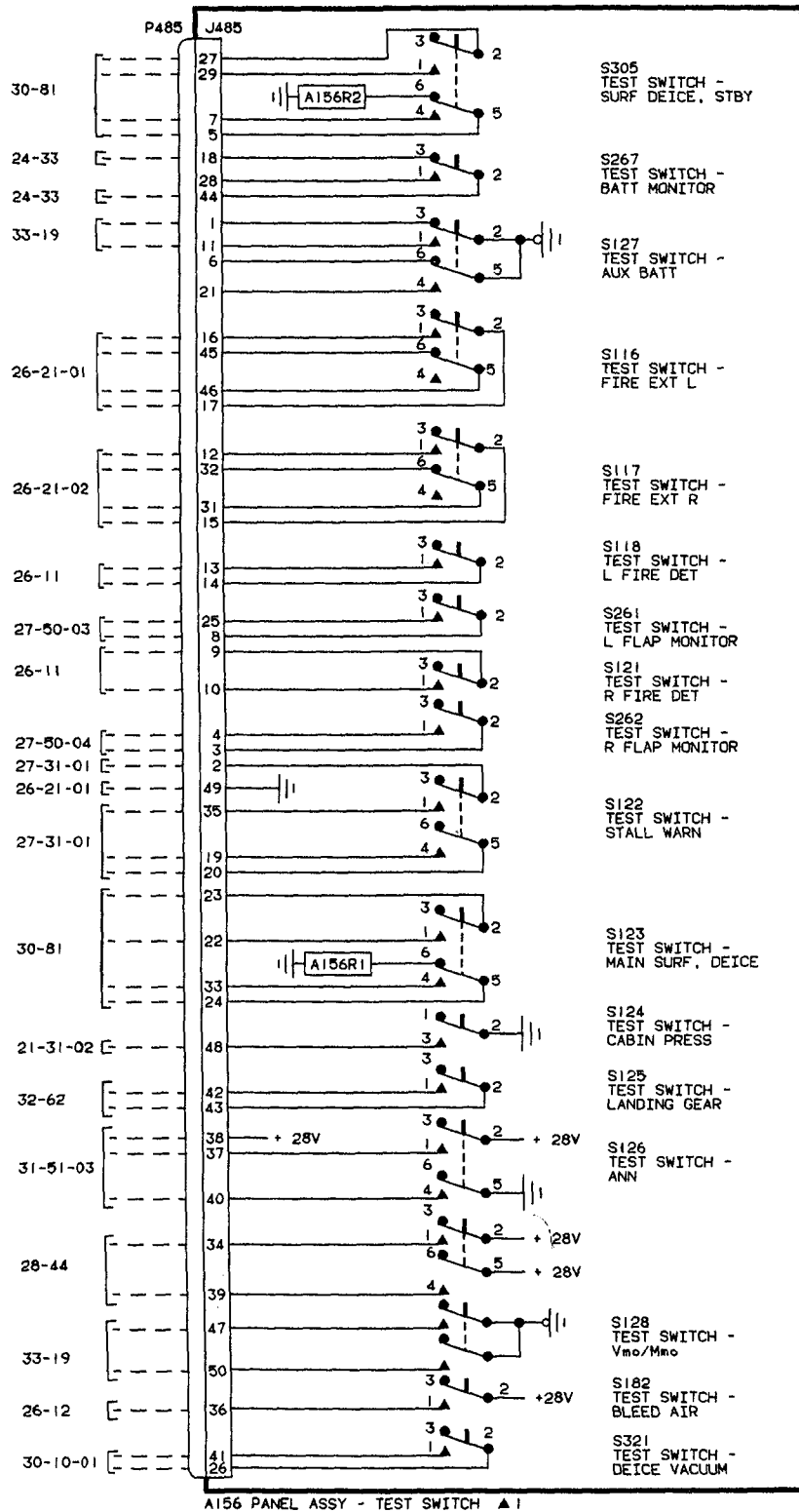
**Beechcraft**  
**STARSHIP 1**  
**WIRING DIAGRAM MANUAL**

**91-00-01**

# Beechcraft STARSHIP 1 WIRING DIAGRAM MANUAL

A156 - 122-322207-9

NOTE: THIS SCHEMATIC SHOWS ONLY THE USED PINS OF CONNECTOR P/J485. SEE PLUG CHART 91-23 FOR COMPLETE NUMERICAL LISTING.



**GENERAL-SCHEMATIC, TEST SWITCH PANEL, SUBPANEL, L OUTBOARD (A156)**

**Beechcraft**  
**STARSHIP 1**  
**WIRING DIAGRAM MANUAL**

REFERENCE DESIGNATOR	PART NUMBER	DESCRIPTION	USABLE	
			INSTL	ON ZONE CODE
		91-00-01		

**NOTE**

SEE APPLICABLE CHAPTERS FOR COMPONENT PART  
NUMBERS.

**EFFECTIVITY CODE**

**Beechcraft**  
**STARSHIP 1**  
**WIRING DIAGRAM MANUAL**

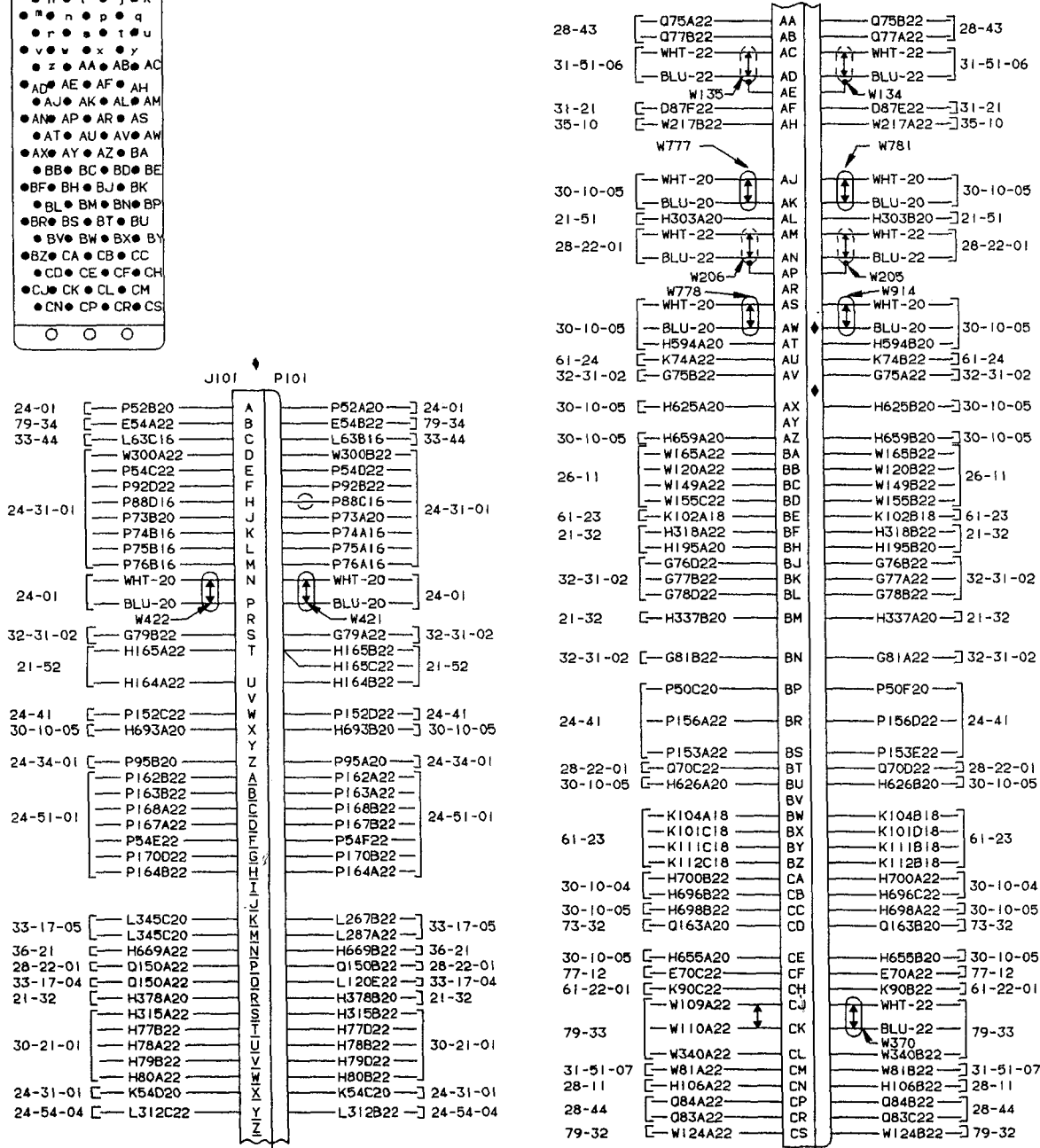
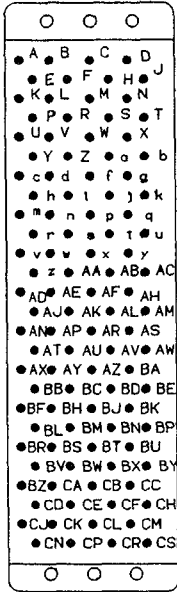
# **91-01-00**

## **Configuration 1**

**NC-4 THRU NC-20**



# Beechcraft STARSHIP 1 WIRING DIAGRAM MANUAL



J101 - 201037-2 CONNECTOR  
P101 - 201345-2 CONNECTOR

◆ PIN "AW" IS NOT LISTED  
IN ALPHABETICAL ORDER.

## CONNECTOR-LEFT FUSELAGE BREAK #1 (J/P101) (Configuration 1)

**Beechcraft**  
**STARSHIP 1**  
**WIRING DIAGRAM MANUAL**

REFERENCE DESIGNATOR	PART NUMBER	DESCRIPTION	USABLE	
			INSTL	ON ZONE CODE
		91-01-00 (Configuration 1)		
J101	201037-2	RCPT-LEFT FUSELAGE BREAK #1	172	1
P101	201345-2	PLUG-LEFT FUSELAGE BREAK #1	172	1

**EFFECTIVITY CODE**

1. NC-4 THRU NC-20

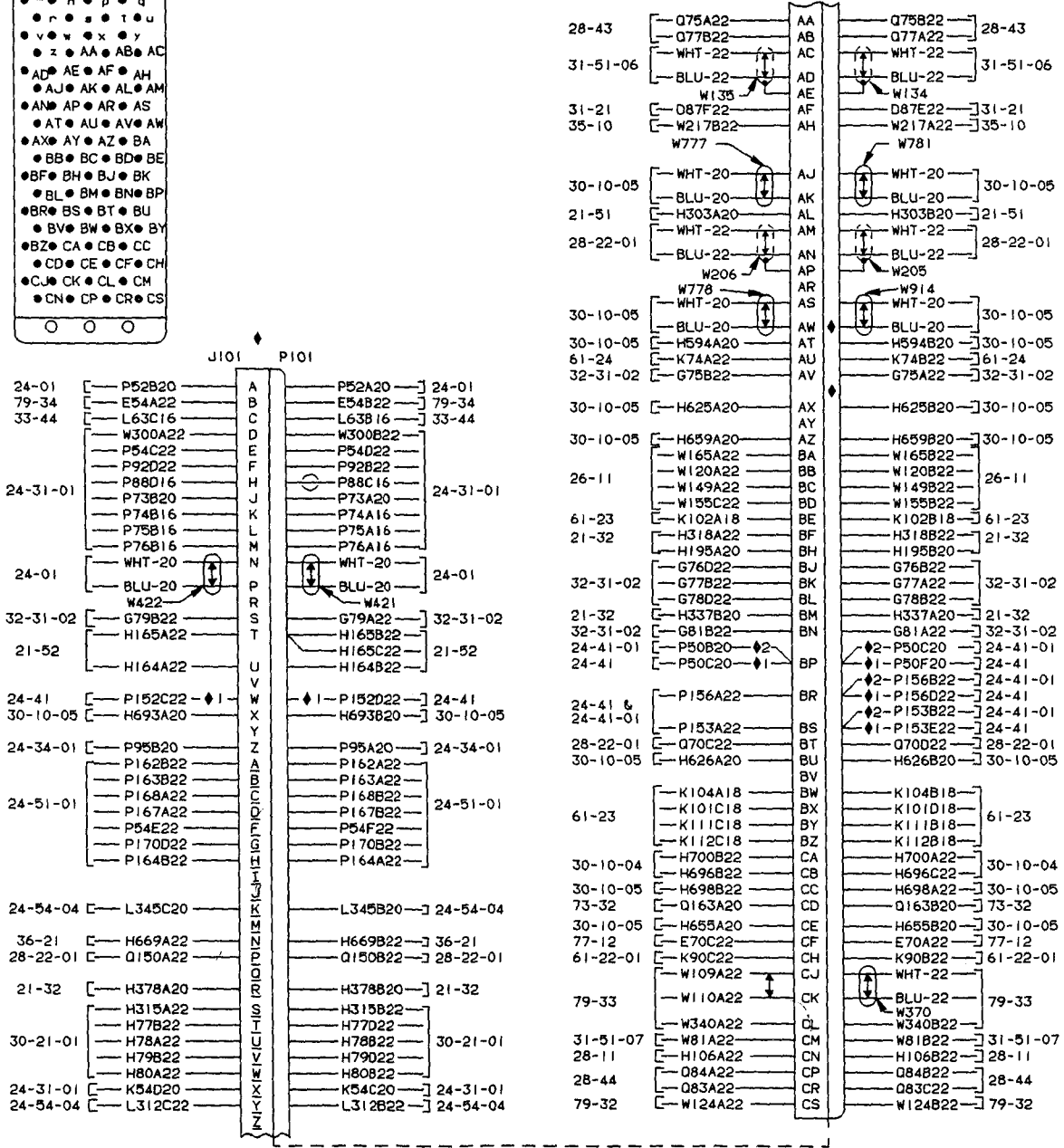
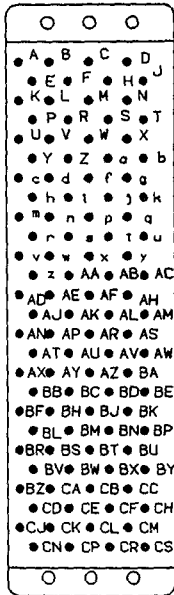
**Beechcraft**  
**STARSHIP 1**  
**WIRING DIAGRAM MANUAL**

# **91-01-00**

## **Configuration 2**

**NC-21 & AFTER**

# Beechcraft STARSHIP 1 WIRING DIAGRAM MANUAL



J101 - 201037-2 CONNECTOR  
P101 - 201345-2 CONNECTOR

- ◆2 ON ACFT NC-30 & AFTER.
- ◆1 ON ACFT NC-21 THRU NC-29.
- ◆ PIN "AW" IS NOT LISTED IN ALPHABETICAL ORDER.

## CONNECTOR-LEFT FUSELAGE BREAK #1 (J/P101) (Configuration 2)

**Beechcraft**  
**STARSHIP 1**  
**WIRING DIAGRAM MANUAL**

REFERENCE DESIGNATOR	PART NUMBER	DESCRIPTION	USABLE	
			INSTL ZONE	ON CODE
91-01-00 (Configuration 2)				
J101	201037-2	RCPT-LEFT FUSELAGE BREAK #1	172	1
P101	201345-2	PLUG-LEFT FUSELAGE BREAK #1	172	1

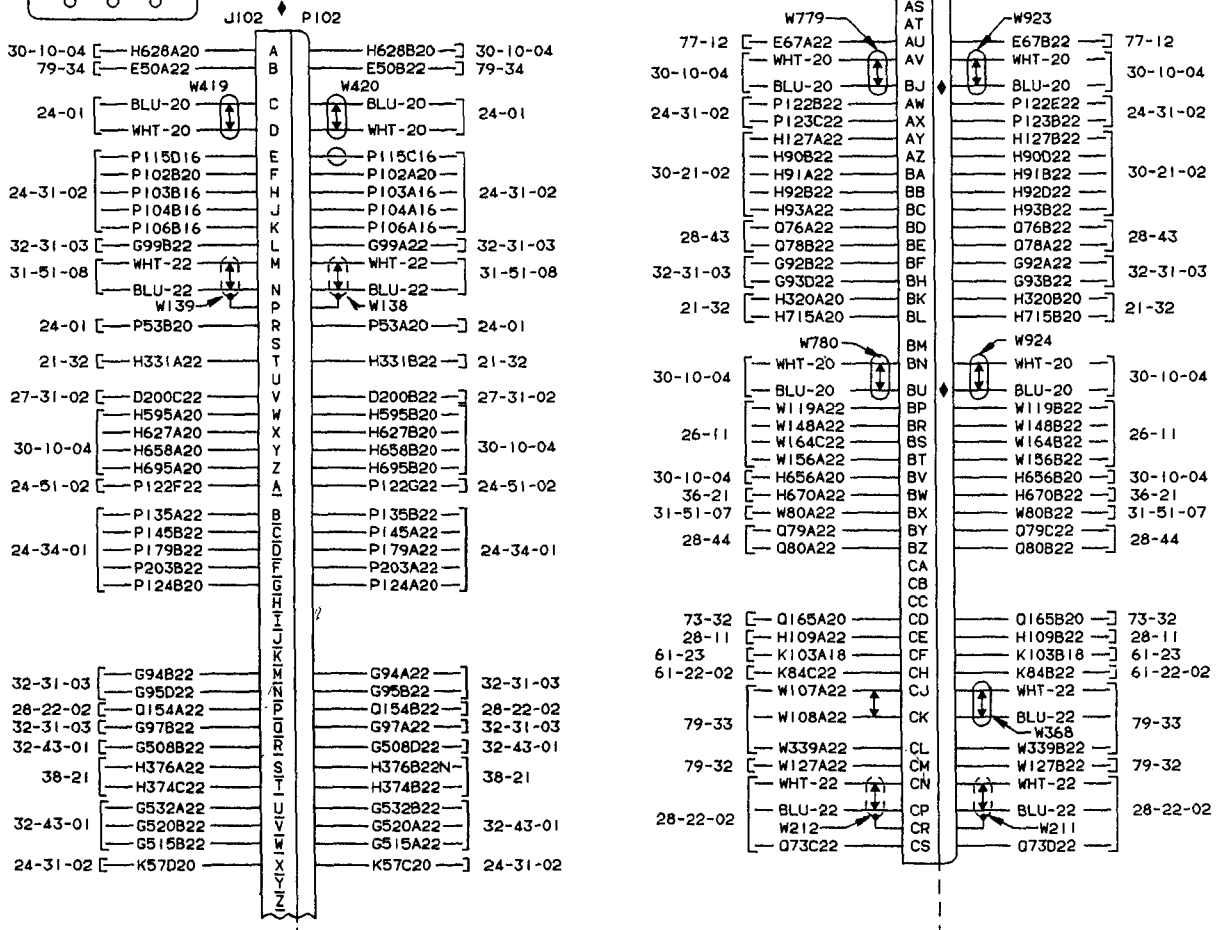
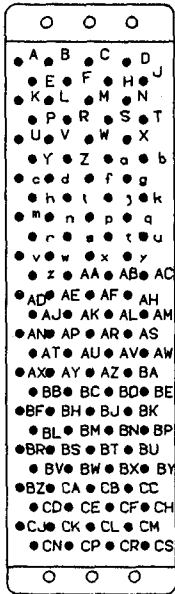
**EFFECTIVITY CODE**

1. NC-21 & AFTER

**Beechcraft**  
**STARSHIP 1**  
**WIRING DIAGRAM MANUAL**

**91-02-00**

# Beechcraft STARSHIP 1 WIRING DIAGRAM MANUAL



J102 - 201037-2  
P102 - 201345-2

◆ PIN "BJ" & "BU" ARE NOT SHOWN IN ALPHABETICAL ORDER

## CONNECTOR-RIGHT FUSELAGE BREAK #1 (J/P102)

**Beechcraft**  
**STARSHIP 1**  
**WIRING DIAGRAM MANUAL**

REFERENCE DESIGNATOR	PART NUMBER	DESCRIPTION	USABLE INSTL ON ZONE CODE
		91-02-00	
J102	201037-2	RCPT-RIGHT FUSELAGE BREAK #1	172
P102	201345-2	PLUG-RIGHT FUSELAGE BREAK #1	172

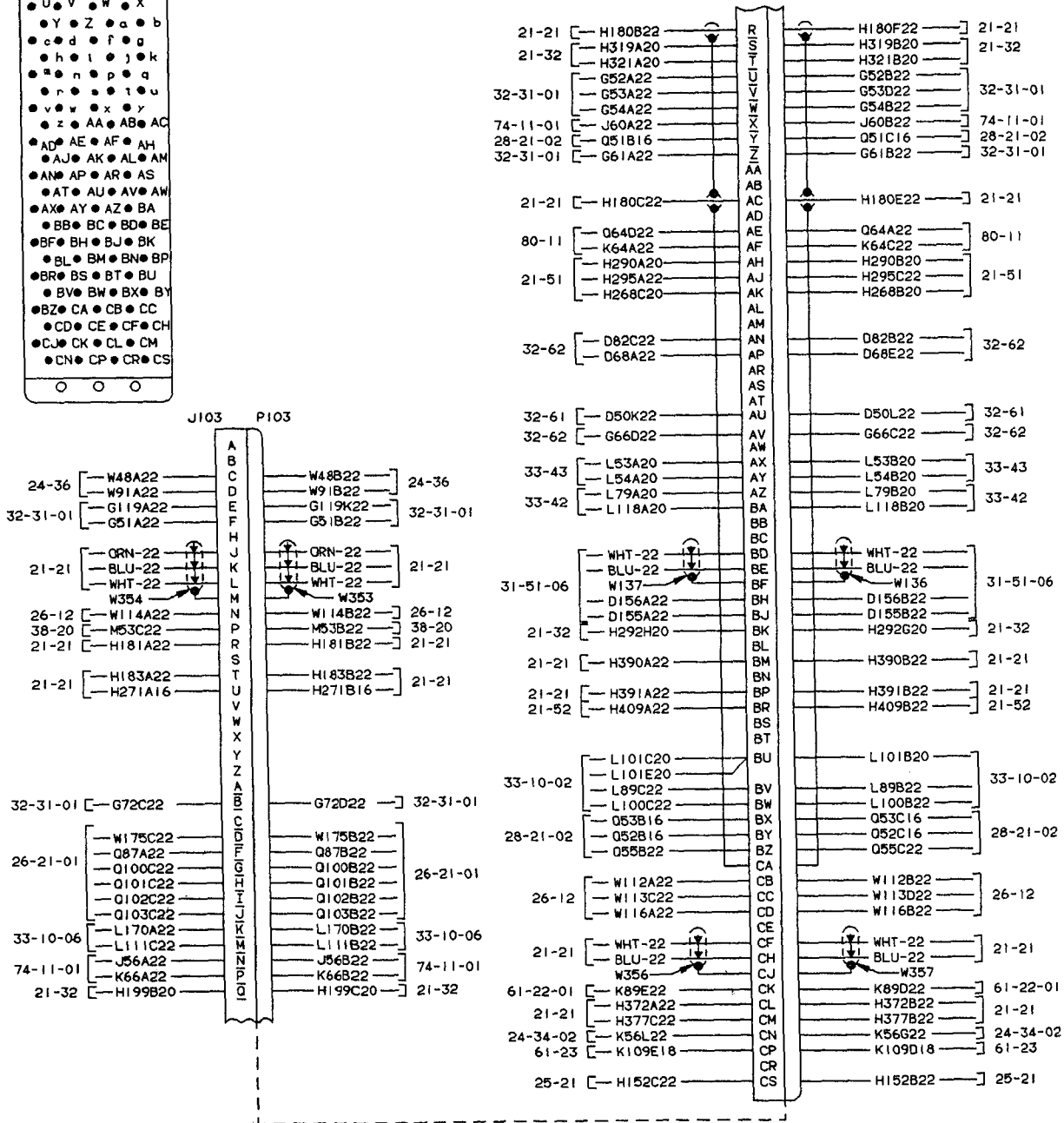
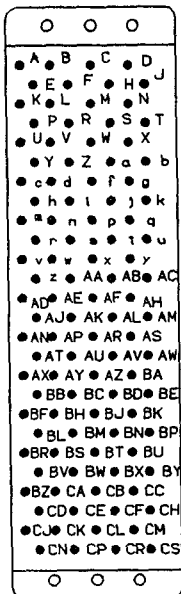
**EFFECTIVITY CODE**



**Beechcraft**  
**STARSHIP 1**  
**WIRING DIAGRAM MANUAL**

**91-03-00**

# Beechcraft STARSHIP 1 WIRING DIAGRAM MANUAL



J103 - 201037-2  
P103 - 201345-2

**CONNECTOR-LEFT FUSELAGE BREAK #2 (J/P103)**

**Beechcraft**  
**STARSHIP 1**  
**WIRING DIAGRAM MANUAL**

REFERENCE DESIGNATOR	PART NUMBER	DESCRIPTION	USABLE	
			INSTL	ON ZONE CODE
		91-03-00		
J103	201037-2	RCPT-LEFT FUSELAGE BREAK #2		172
P103	201345-2	PLUG-LEFT FUSELAGE BREAK #2		172

**EFFECTIVITY CODE**

**Beechcraft**  
**STARSHIP 1**  
**WIRING DIAGRAM MANUAL**

**91-04-00**



**Beechcraft**  
**STARSHIP 1**  
**WIRING DIAGRAM MANUAL**

REFERENCE DESIGNATOR	PART NUMBER	DESCRIPTION	USABLE INSTL ON ZONE CODE
		91-04-00	
J275	204814-1	RCPT-LEFT NACELLE GROUND BLOCK	583
P275	200838-3	PLUG-LEFT NACELLE GROUND BLOCK	583

EFFECTIVITY CODE

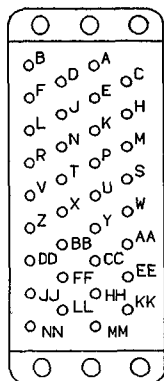
**Beechcraft**  
**STARSHIP 1**  
**WIRING DIAGRAM MANUAL**

**91-05-00**

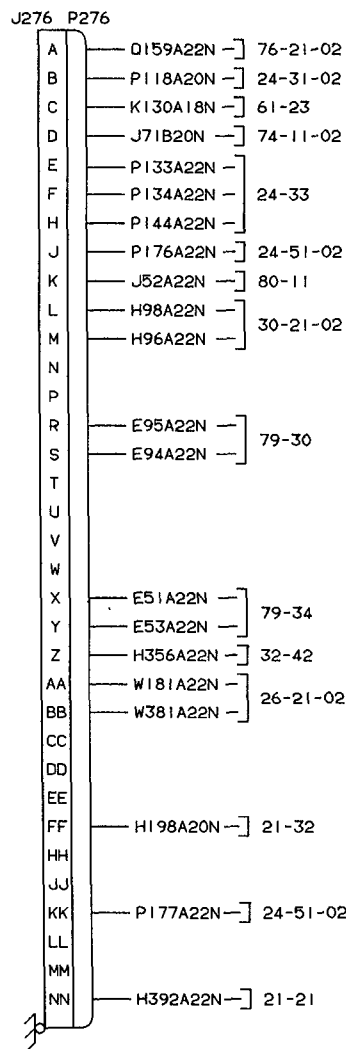
# Beechcraft

## STARSHIP 1

### WIRING DIAGRAM MANUAL



VIEW FROM BACK OF CONNECTOR



J276 - 204814-1  
P276 - 200838-3

#### CONNECTOR-RIGHT NACELLE GROUND BLOCK (J/P276)



**Beechcraft**  
**STARSHIP 1**  
**WIRING DIAGRAM MANUAL**

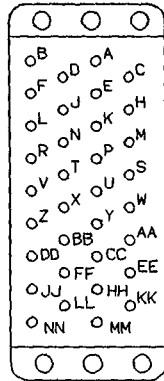
<b>REFERENCE DESIGNATOR</b>	<b>PART NUMBER</b>	<b>DESCRIPTION</b>	<b>USABLE INSTL ON ZONE CODE</b>
		<b>91-05-00</b>	
J276	204814-1	RCPT-RIGHT NACELLE GROUND BLOCK	683
P276	200838-3	PLUG-RIGHT NACELLE GROUND BLOCK	683

**EFFECTIVITY CODE**

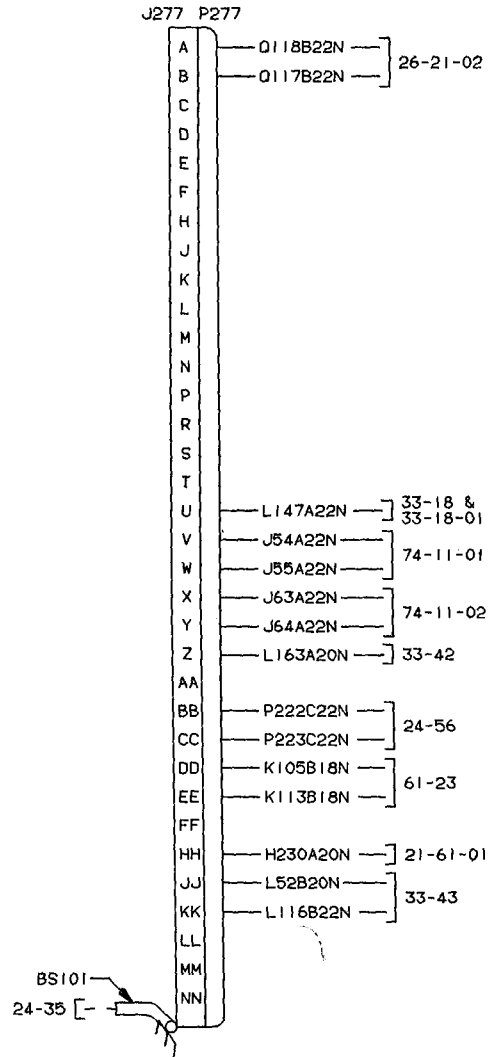
**Beechcraft**  
**STARSHIP 1**  
**WIRING DIAGRAM MANUAL**

**91-06-00**

# Beechcraft STARSHIP 1 WIRING DIAGRAM MANUAL



VIEW FROM BACK OF CONNECTOR



J277 - 204814-1  
P277 - 200838-3

## CONNECTOR-TAIL GROUND BLOCK #1 (J/P277)

**Beechcraft**  
**STARSHIP 1**  
**WIRING DIAGRAM MANUAL**

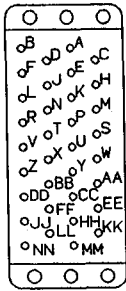
REFERENCE DESIGNATOR	PART NUMBER	DESCRIPTION	USABLE	
			INSTL ZONE	ON CODE
		91-06-00		
J277	204814-1	RCPT-TAIL GROUND BLOCK #1		320
P277	200838-3	PLUG-TAIL GROUND BLOCK #1		320

**EFFECTIVITY CODE**

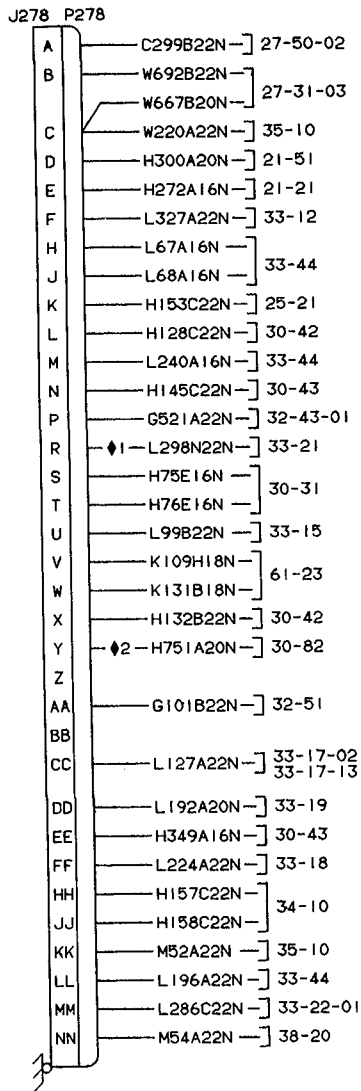
**Beechcraft**  
**STARSHIP 1**  
**WIRING DIAGRAM MANUAL**

**91-07-00**

# Beechcraft STARSHIP 1 WIRING DIAGRAM MANUAL



VIEW FROM BACK OF CONNECTOR



J278 - 204814-1  
P278 - 200838-3

◆2 ON ACFT NC-10, NC-44 & AFT WIRE H751A20N IS USED.

◆1 ON ACFT NC-4 THRU NC-20, WIRE L298N22N IS USED.

## CONNECTOR-COCKPIT GROUND BLOCK (J/P278)

**Beechcraft**  
**STARSHIP 1**  
**WIRING DIAGRAM MANUAL**

REFERENCE DESIGNATOR	PART NUMBER	DESCRIPTION	USABLE	
			INSTL ZONE	ON CODE
91-07-00				
J278	204814-1	RCPT-COCKPIT GROUND BLOCK		143
P278	200838-3	PLUG-COCKPIT GROUND BLOCK		143

**EFFECTIVITY CODE**

**Beechcraft**  
**STARSHIP 1**  
**WIRING DIAGRAM MANUAL**

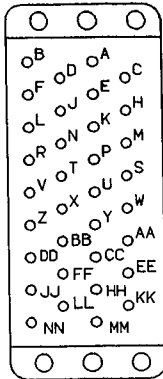
**91-08-00**

**Configuration 1**

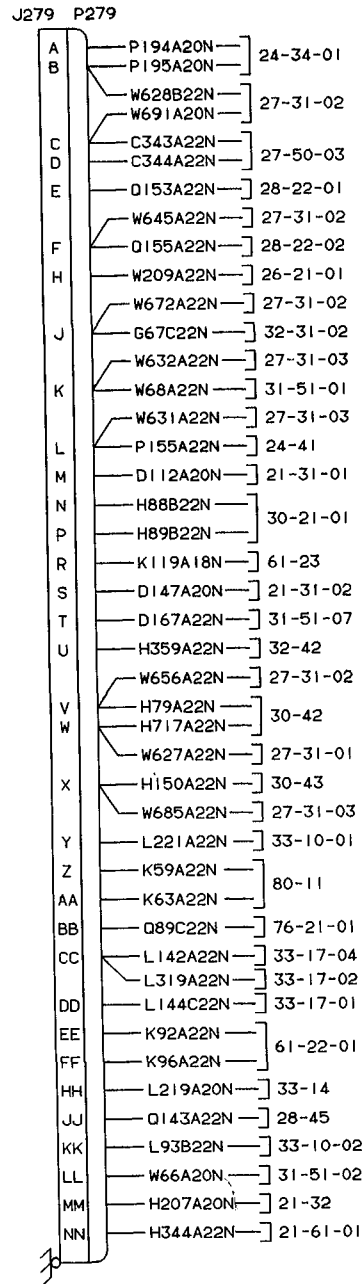
**NC-4 THRU NC-20**



# Beechcraft STARSHIP 1 WIRING DIAGRAM MANUAL



VIEW FROM BACK OF CONNECTOR



J279 - 204814-1  
P279 - 200838-3

## CONNECTOR-LEFT SUBPANEL GROUND BLOCK (J/P279) (Configuration 1)

**Beechcraft**  
**STARSHIP 1**  
**WIRING DIAGRAM MANUAL**

REFERENCE DESIGNATOR	PART NUMBER	DESCRIPTION	USABLE	
			INSTL ZONE	ON CODE
91-08-00 (Configuration 1)				
J279	204814-1	RCPT-LEFT SUBPANEL GROUND BLOCK	235	1
P279	200838-3	PLUG-LEFT SUBPANEL GROUND BLOCK	235	1

**EFFECTIVITY CODE**

1. NC-4 THRU NC-20

**Beechcraft**  
**STARSHIP 1**  
**WIRING DIAGRAM MANUAL**

**91-08-00**

**Configuration 2**

**NC-21 & AFTER**



**Beechcraft**  
**STARSHIP 1**  
**WIRING DIAGRAM MANUAL**

REFERENCE DESIGNATOR	PART NUMBER	DESCRIPTION	USABLE	
			INSTL ZONE	ON CODE
91-08-00 (Configuration 2 )				
J279	204814-1	RCPT-LEFT SUBPANEL GROUND BLOCK	235	1
P279	200838-3	PLUG-LEFT SUBPANEL GROUND BLOCK	235	1

**EFFECTIVITY CODE**

1. NC-21 & AFTER

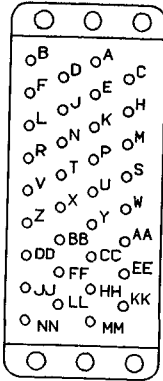
**Beechcraft**  
**STARSHIP 1**  
**WIRING DIAGRAM MANUAL**

**91-09-00**

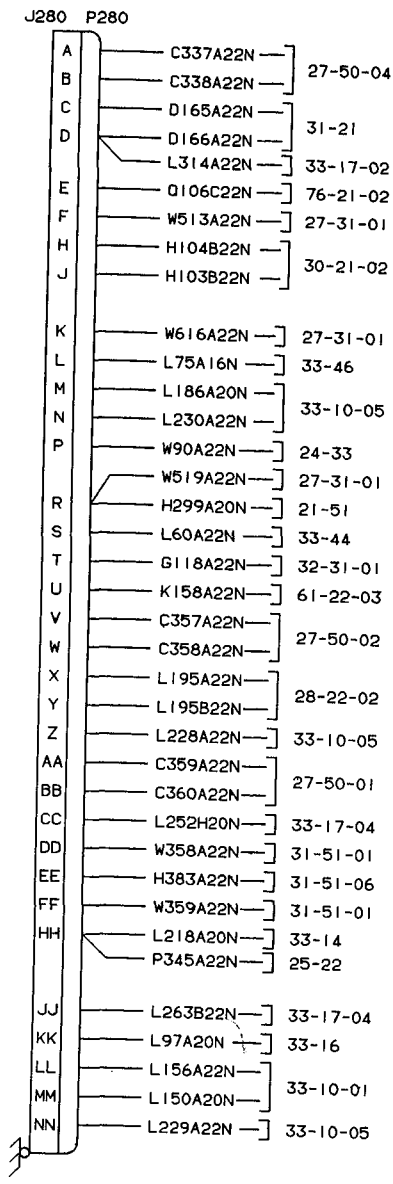
**Configuration 1**

**NC-4 THRU NC-20**

# Beechcraft STARSHIP 1 WIRING DIAGRAM MANUAL



VIEW FROM BACK OF CONNECTOR



J280 - 204814-1  
P280 - 200838-3

## CONNECTOR-RIGHT SUBPANEL GROUND BLOCK (J/P280) (Configuration 1 )

**Beechcraft**  
**STARSHIP 1**  
**WIRING DIAGRAM MANUAL**

REFERENCE DESIGNATOR	PART NUMBER	DESCRIPTION	USABLE	
			INSTL ZONE	ON CODE
91-09-00 (Configuration 1)				
J280	204814-1	RCPT-RIGHT SUBPANEL GROUND BLOCK	235	1
P280	200838-3	PLUG-RIGHT SUBPANEL GROUND BLOCK	235	1

**EFFECTIVITY CODE**

1. NC-4 THRU NC-20



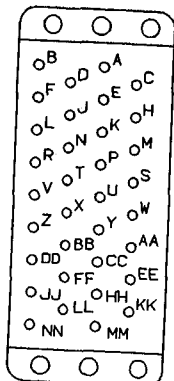
**Beechcraft**  
**STARSHIP 1**  
**WIRING DIAGRAM MANUAL**

**91-09-00**

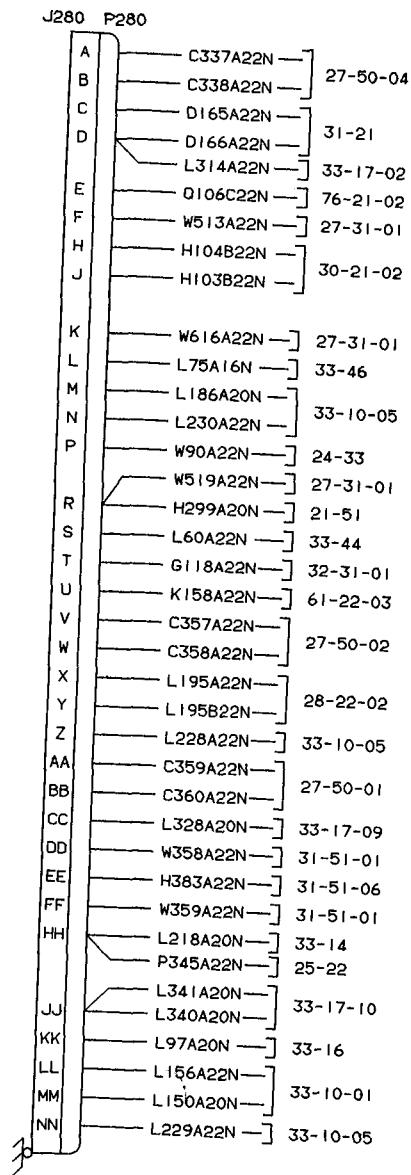
**Configuration 2**

**NC-21 & AFTER**

# Beechcraft STARSHIP 1 WIRING DIAGRAM MANUAL



VIEW FROM BACK OF CONNECTOR



J280 - 204814-1  
P280 - 200838-3

## CONNECTOR-RIGHT SUBPANEL GROUND BLOCK (J/P280) (Configuration 2)

**Beechcraft**  
**STARSHIP 1**  
**WIRING DIAGRAM MANUAL**

REFERENCE DESIGNATOR	PART NUMBER	DESCRIPTION	USABLE	
			INSTL ZONE	ON CODE
91-09-00 (Configuration 2)				
J280	204814-1	RCPT-RIGHT SUBPANEL GROUND BLOCK	235	1
P280	200838-3	PLUG-RIGHT SUBPANEL GROUND BLOCK	235	1

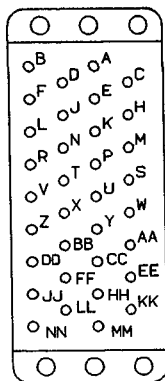
**EFFECTIVITY CODE**

1. NC-21 & AFTER

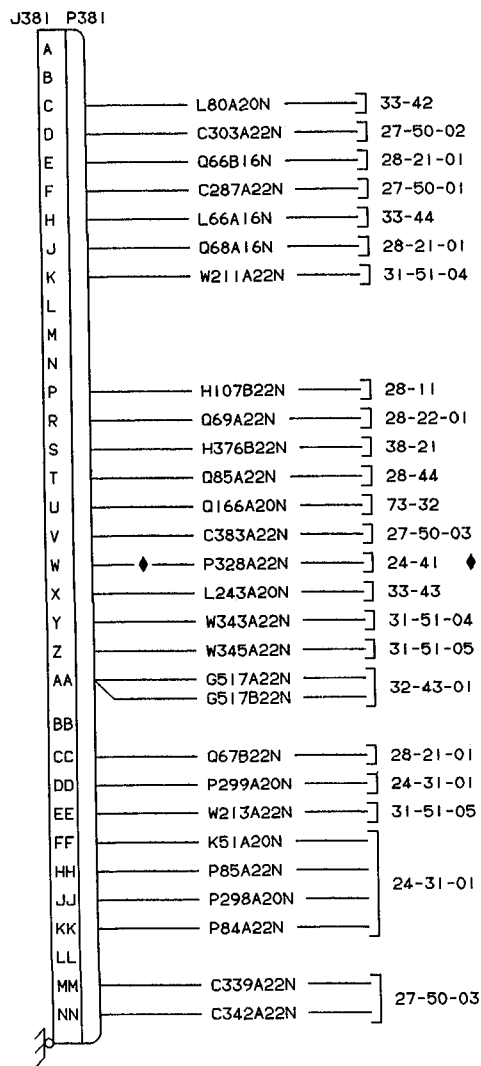
**Beechcraft**  
**STARSHIP 1**  
**WIRING DIAGRAM MANUAL**

**91-10-00**

# Beechcraft STARSHIP 1 WIRING DIAGRAM MANUAL



VIEW FROM BACK OF CONNECTOR



J381 - 204814-1  
P381 - 200838-3

◆ ON ACFT NC-4 THRU NC-29.

## CONNECTOR-LEFT CENTER WING GROUND BLOCK (J/P381)

**Beechcraft**  
**STARSHIP 1**  
**WIRING DIAGRAM MANUAL**

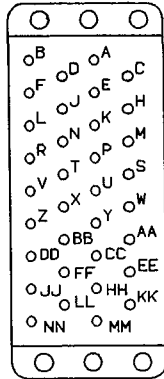
REFERENCE DESIGNATOR	PART NUMBER	DESCRIPTION	USABLE	
			INSTL ZONE	ON CODE
91-10-00				
J381	204814-1	RCPT-LEFT CENTER WING GROUND BLOCK		547
P381	200838-3	PLUG-LEFT CENTER WING GROUND BLOCK		547

EFFECTIVITY CODE

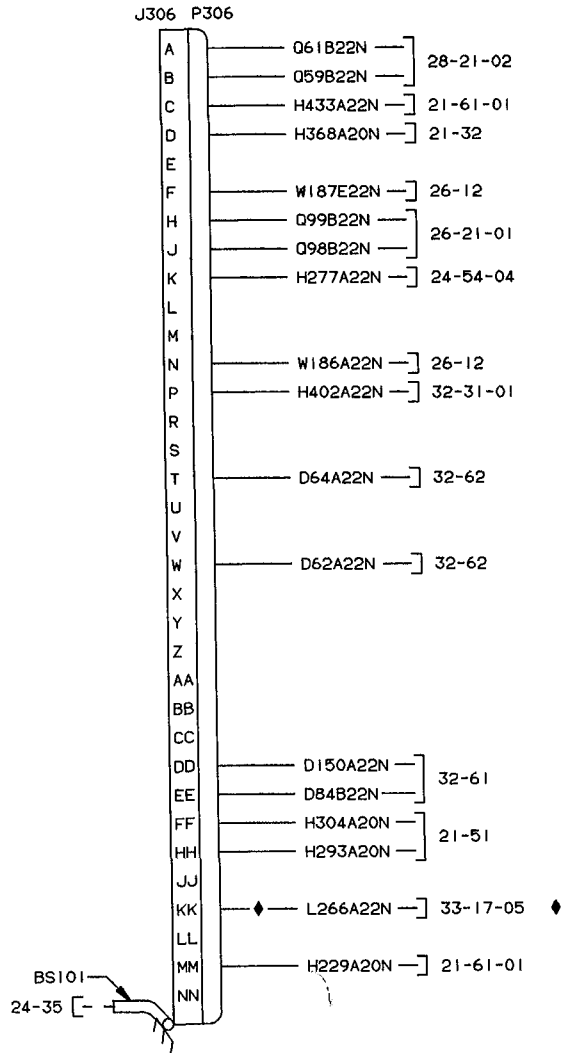
**Beechcraft**  
**STARSHIP 1**  
**WIRING DIAGRAM MANUAL**

**91-11-00**

# Beechcraft STARSHIP 1 WIRING DIAGRAM MANUAL



VIEW FROM BACK OF CONNECTOR



J306 - 204814-1  
P306 - 200838-3

◆ ON ACFT NC-4 THRU NC-20.

## CONNECTOR-TAIL GROUND BLOCK #2 (J/P306)



**Beechcraft**  
**STARSHIP 1**  
**WIRING DIAGRAM MANUAL**

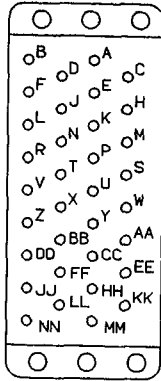
REFERENCE DESIGNATOR	PART NUMBER	DESCRIPTION	USABLE
			INSTL ON ZONE CODE
91-11-00			
J306	204814-1	RCPT-TAIL GROUND BLOCK #2	320
P306	200838-3	PLUG-TAIL GROUND BLOCK #2	320

**EFFECTIVITY CODE**

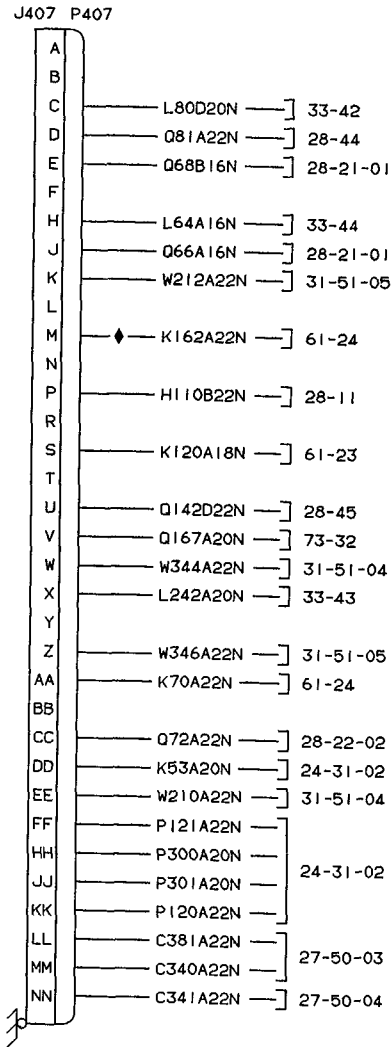
**Beechcraft**  
**STARSHIP 1**  
**WIRING DIAGRAM MANUAL**

**91-12-00**

# Beechcraft STARSHIP 1 WIRING DIAGRAM MANUAL



VIEW FROM BACK OF CONNECTOR



J407 - 204814-1  
P407 - 200838-3

◆ ON ACFT NC-35 & AFTER.

## CONNECTOR-RIGHT CENTER WING GROUND BLOCK (J/P407)

**Beechcraft**  
**STARSHIP 1**  
**WIRING DIAGRAM MANUAL**

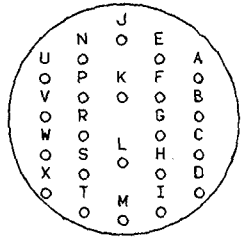
REFERENCE DESIGNATOR	PART NUMBER	DESCRIPTION	USABLE	
			INSTL ZONE	ON CODE
91-12-00				
J407	204814-1	RCPT-R CENTER WING GROUND BLOCK		547
P407	200838-3	PLUG-R CENTER WING GROUND BLOCK		547

**EFFECTIVITY CODE**

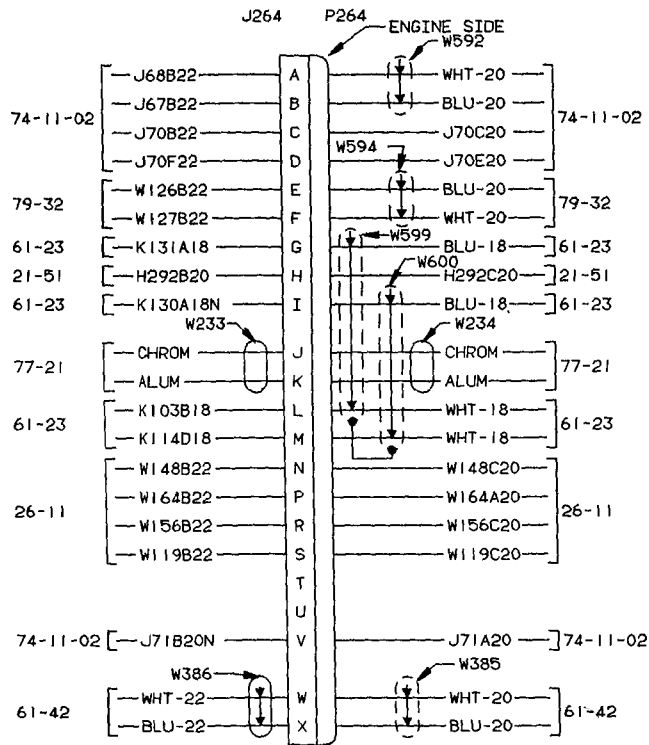
**Beechcraft**  
**STARSHIP 1**  
**WIRING DIAGRAM MANUAL**

**91-13-00**

# Beechcraft STARSHIP 1 WIRING DIAGRAM MANUAL



28-11  
18 #16 (A-I, N-X)  
4 #12 (J-M)



J264 - MS3450KT28-11S  
P264 - MS3456KT28-11P

## CONNECTOR-RIGHT FIREWALL #1 BREAK (J/P264)

**Beechcraft**  
**STARSHIP 1**  
**WIRING DIAGRAM MANUAL**

REFERENCE DESIGNATOR	PART NUMBER	DESCRIPTION	USABLE	
			INSTL	ON ZONE CODE
		91-13-00		
J264	MS3450KT28-11S	RCPT-RIGHT FIREWALL BREAK #1		682
P264	MS3456KT28-11P	PLUG-RIGHT FIREWALL BREAK #1		421

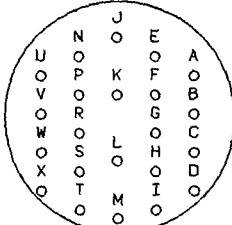
**EFFECTIVITY CODE**

**Beechcraft**  
**STARSHIP 1**  
**WIRING DIAGRAM MANUAL**

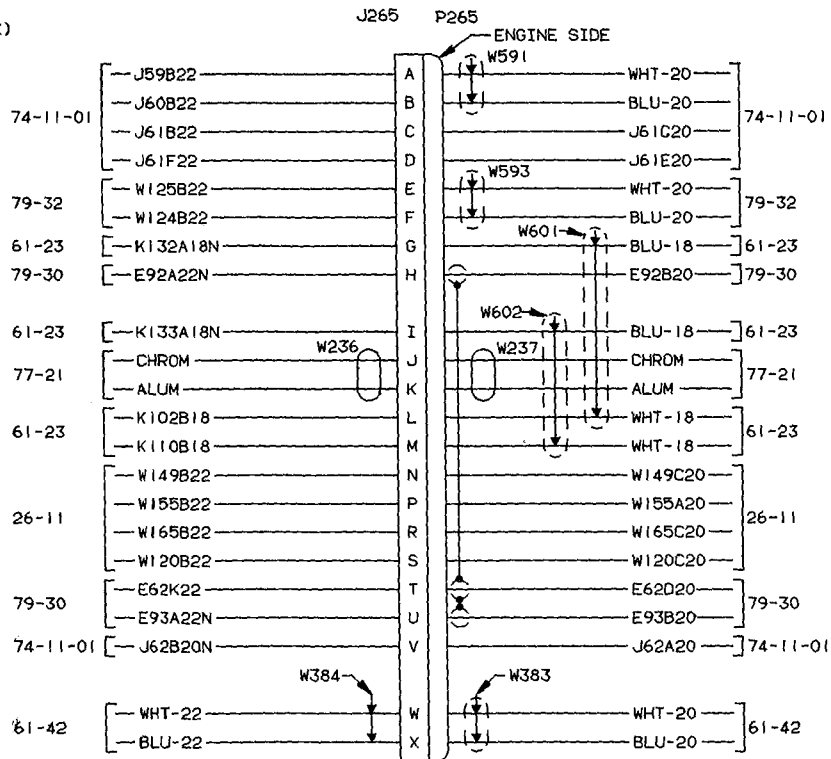
**91-14-00**



# Beechcraft STARSHIP 1 WIRING DIAGRAM MANUAL



28-11  
18 #16 (A-I, N-X)  
4 #12 (J-M)



J265 - MS3450KT28-11S  
P265 - MS3456KT28-11P

## CONNECTOR-LEFT FIREWALL #1 BREAK (J/P265)

**Beechcraft**  
**STARSHIP 1**  
**WIRING DIAGRAM MANUAL**

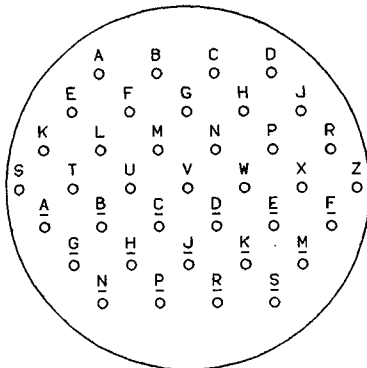
REFERENCE DESIGNATOR	PART NUMBER	DESCRIPTION	USABLE	
			INSTL ZONE	ON CODE
91-14-00				
J265	MS3456KT28-11S	RCPT-LEFT FIREWALL BREAK #1	582	
P265	MS3456KT28-11P	PLUG-LEFT FIREWALL BREAK #1	411	

EFFECTIVITY CODE

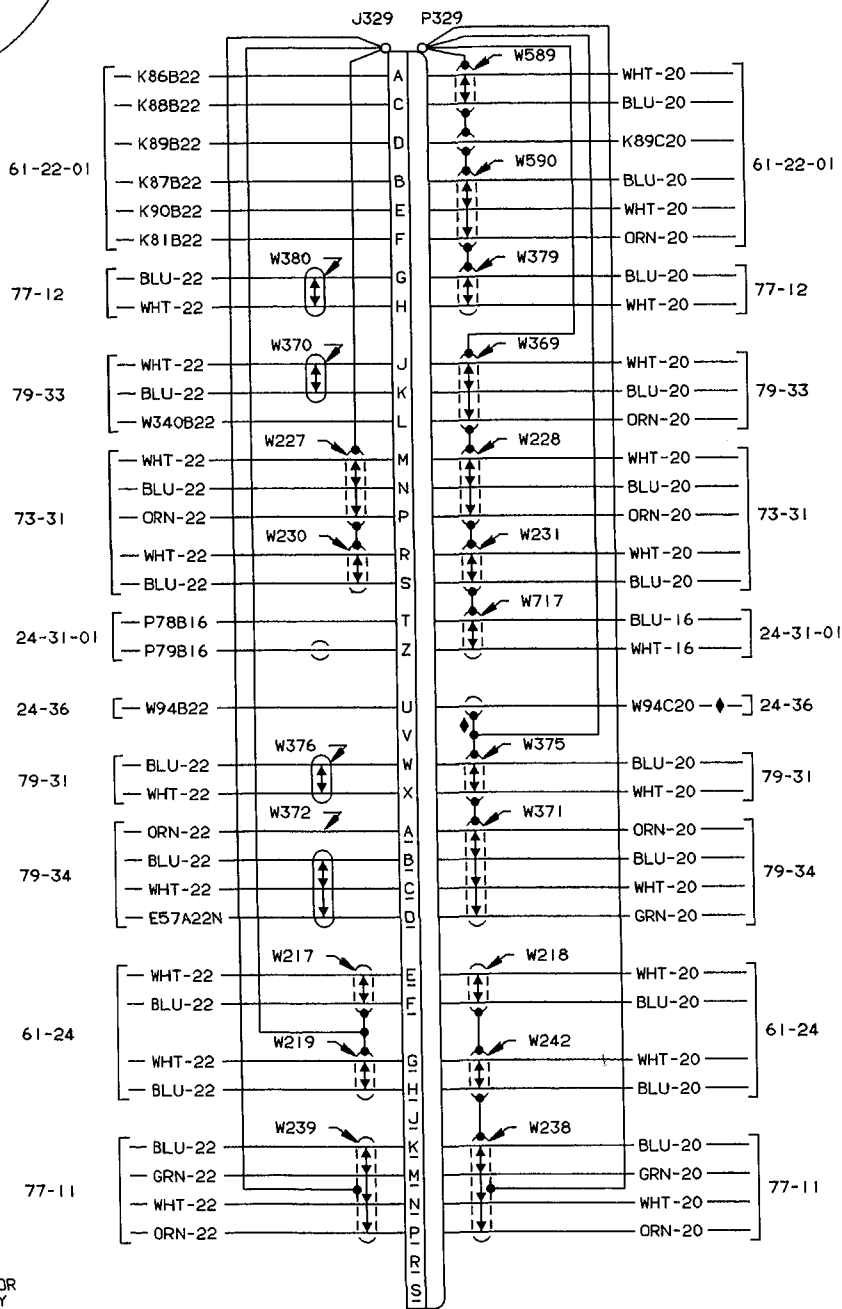
**Beechcraft**  
**STARSHIP 1**  
**WIRING DIAGRAM MANUAL**

**91-15-00**

# Beechcraft STARSHIP 1 WIRING DIAGRAM MANUAL



28-21  
37 #20



J329 - MS3450KT28-21S  
P329 - MS3456KT28-21P

◆ ADDED WIRE, IF DC GENERATOR  
OVERTEMP OPTION IS READ BY  
ACFT WORK ORDER.

## CONNECTOR-LEFT FIREWALL #2 BREAK (J/P329)

**Beechcraft**  
**STARSHIP 1**  
**WIRING DIAGRAM MANUAL**

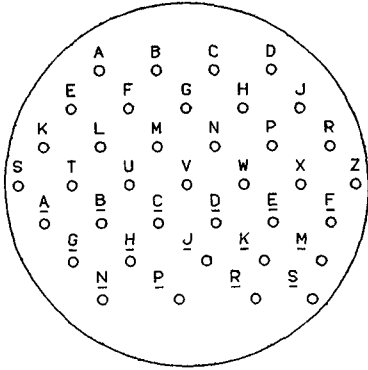
REFERENCE DESIGNATOR	PART NUMBER	DESCRIPTION	USABLE INSTL ON ZONE CODE
		91-15-00	
J329	MS3450KT28-21S	RCPT-LEFT FIREWALL BREAK #2	582
P329	MS3456KT28-21P	PLUG-LEFT FIREWALL BREAK #2	582

EFFECTIVITY CODE

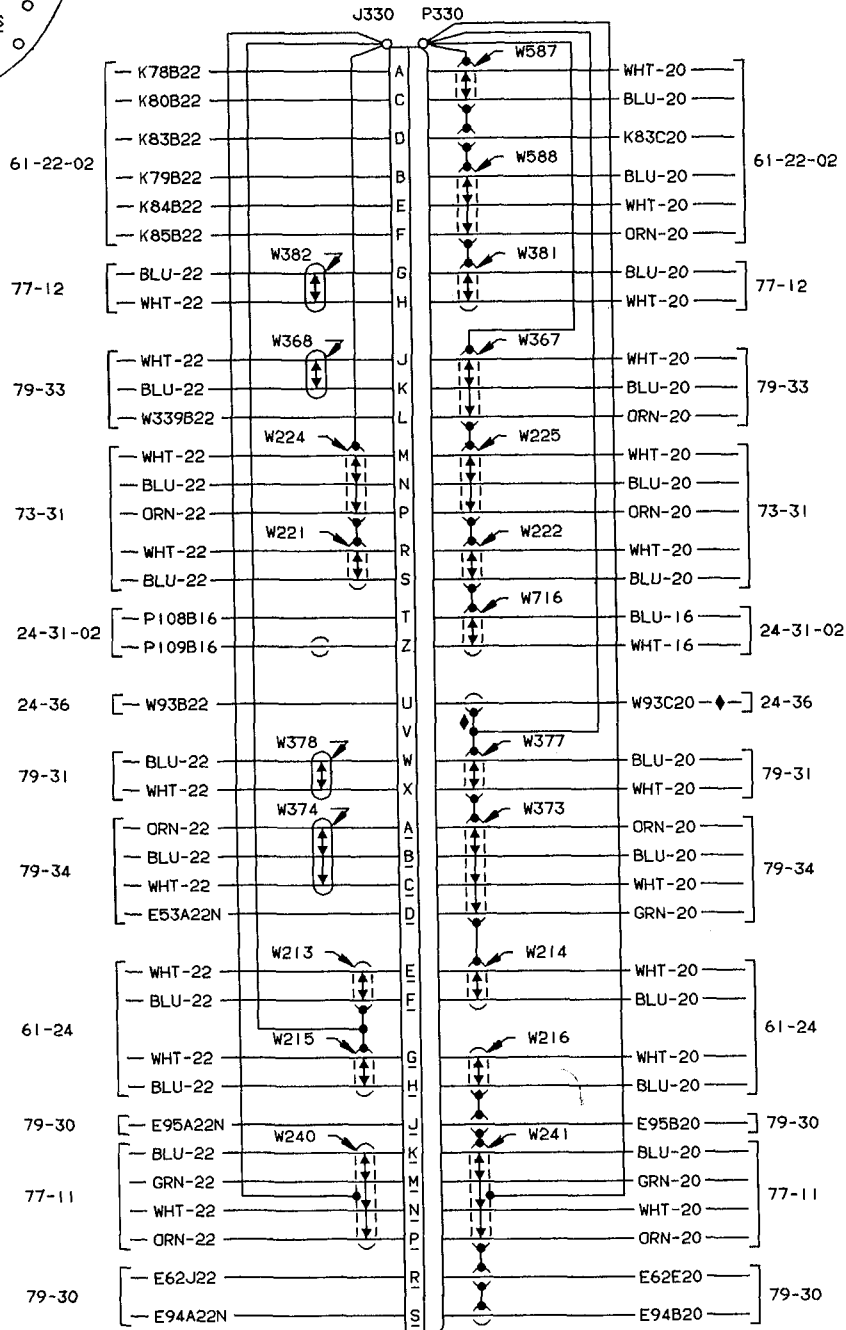
**Beechcraft**  
**STARSHIP 1**  
**WIRING DIAGRAM MANUAL**

**91-16-00**

# Beechcraft STARSHIP 1 WIRING DIAGRAM MANUAL



28-21  
37 #20



J330 - MS3450KT28-21S  
P330 - MS3456KT28-21P

◆ ADDED WIRE, IF DC GENERATOR  
OVERTEMP OPTION IS RECD BY  
ACFT WORK ORDER.

## CONNECTOR-RIGHT FIREWALL #2 BREAK (J/P330)

**Beechcraft**  
**STARSHIP 1**  
**WIRING DIAGRAM MANUAL**

REFERENCE DESIGNATOR	PART NUMBER	DESCRIPTION	USABLE	
			INSTL	ON ZONE CODE
91-16-00				
J330	MS3450KT28-21S	RCPT-RIGHT FIREWALL BREAK #2		682
P330	MS3456KT28-21P	PLUG-RIGHT FIREWALL BREAK #2		682

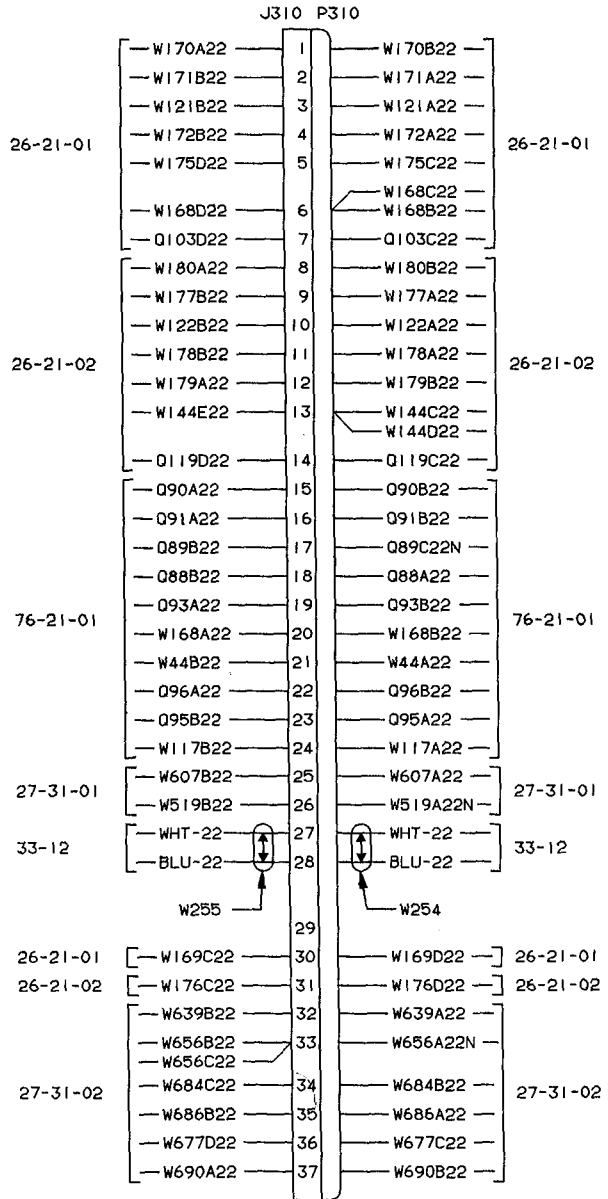
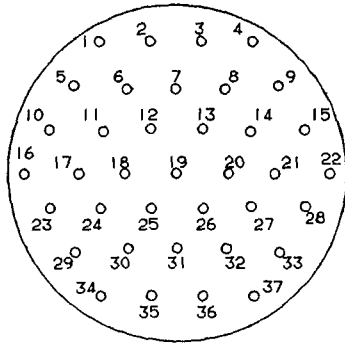
EFFECTIVITY CODE



**Beechcraft**  
**STARSHIP 1**  
**WIRING DIAGRAM MANUAL**

**91-17-00**

# Beechcraft STARSHIP 1 WIRING DIAGRAM MANUAL



J310 - 206151-1  
P310 - 206150-1

## CONNECTOR-GLARESHIELD #1 (J/P310)

**Beechcraft**  
**STARSHIP 1**  
**WIRING DIAGRAM MANUAL**

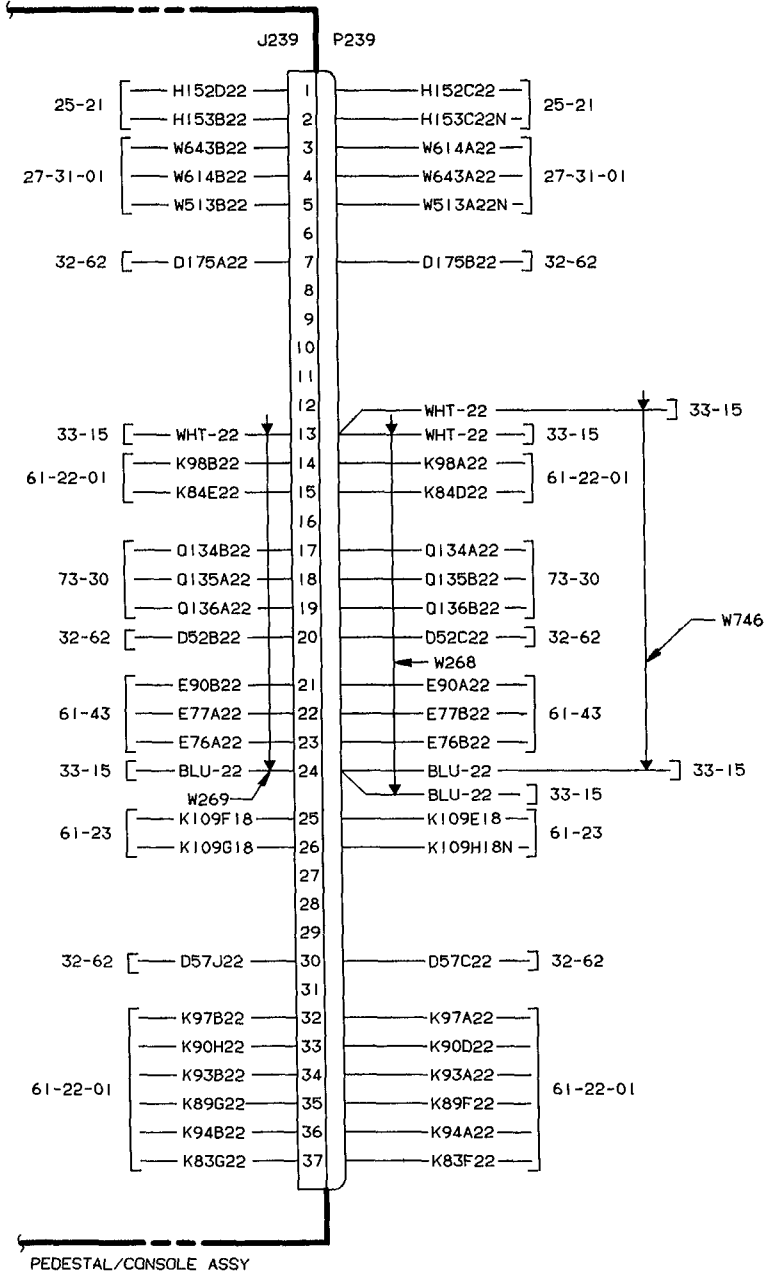
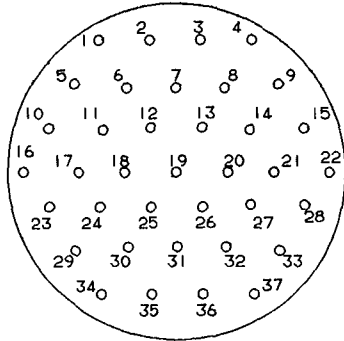
REFERENCE DESIGNATOR	PART NUMBER	DESCRIPTION	USABLE
			INSTL ON ZONE CODE
91-17-00			
J310	206151-1	RCPT-GLARESHIELD #1	257
P310	206150-1	PLUG-GLARESHIELD #1	257

EFFECTIVITY CODE

**Beechcraft**  
**STARSHIP 1**  
**WIRING DIAGRAM MANUAL**

**91-19-00**

# Beechcraft STARSHIP 1 WIRING DIAGRAM MANUAL



J239 - 206151-1  
P239 - 206150-1

## CONNECTOR-PEDESTAL (J/P239)

Beechcraft  
STARSHIP 1  
WIRING DIAGRAM MANUAL

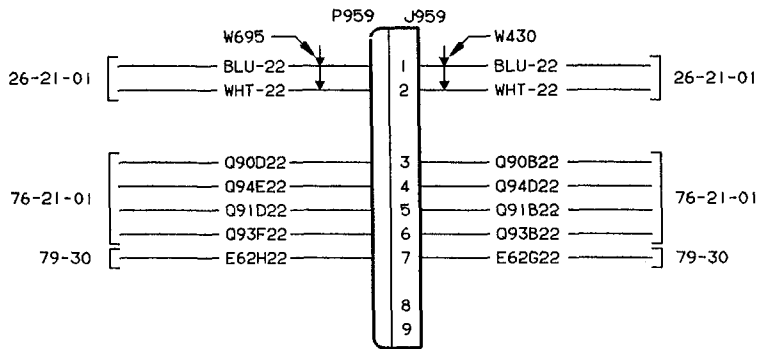
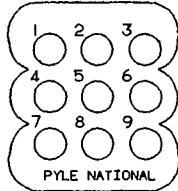
REFERENCE DESIGNATOR	PART NUMBER	DESCRIPTION	USABLE	
			INSTL	ON ZONE CODE
		91-19-00		
J239	206151-1	RCPT-PEDESTAL		257
P239	206150-1	PLUG-PEDESTAL		257

EFFECTIVITY CODE

**Beechcraft**  
**STARSHIP 1**  
**WIRING DIAGRAM MANUAL**

**91-20-00**

# Beechcraft STARSHIP 1 WIRING DIAGRAM MANUAL



J959 - LMD-3001P  
P959 - LMD-3001S

## CONNECTOR-BATTERY CABLE (J/P959)



Beechcraft  
STARSHIP 1  
WIRING DIAGRAM MANUAL

REFERENCE DESIGNATOR	PART NUMBER	DESCRIPTION	USABLE	
			INSTL	ON ZONE CODE
		91-20-00		
J959	LMD-3001-P	RCPT-BATTERY CABLE		286
P959	LMD-3001-S	PLUG-BATTERY CABLE		286

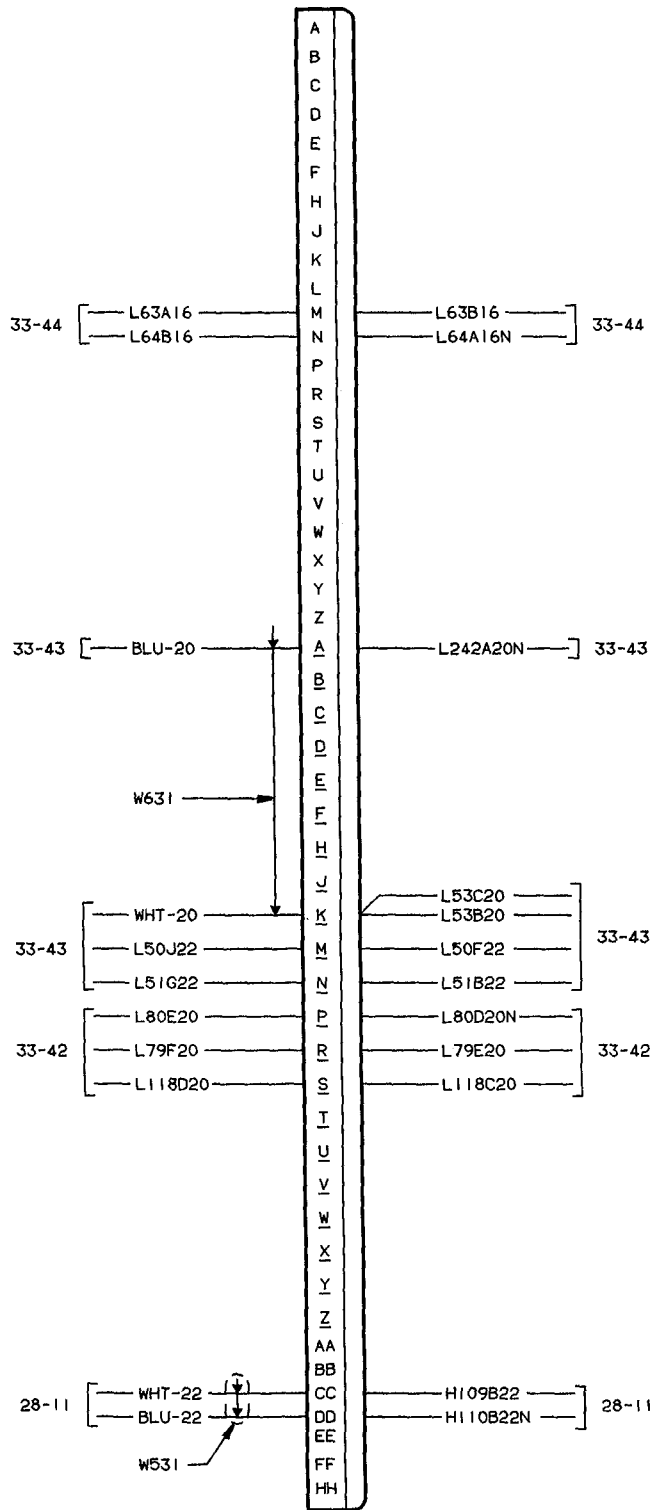
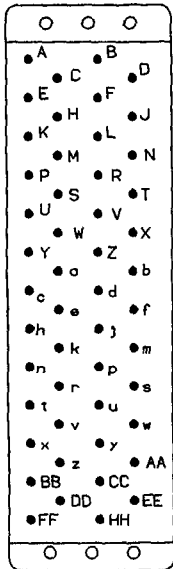
EFFECTIVITY CODE

Beechcraft  
STARSHIP 1  
WIRING DIAGRAM MANUAL

**91-21-00**

# Beechcraft STARSHIP 1 WIRING DIAGRAM MANUAL

J382 P382



J382 - 201358-1  
P382 - 200277-2

## CONNECTOR-R WING BREAK (J/P382)

**Beechcraft**  
**STARSHIP 1**  
**WIRING DIAGRAM MANUAL**

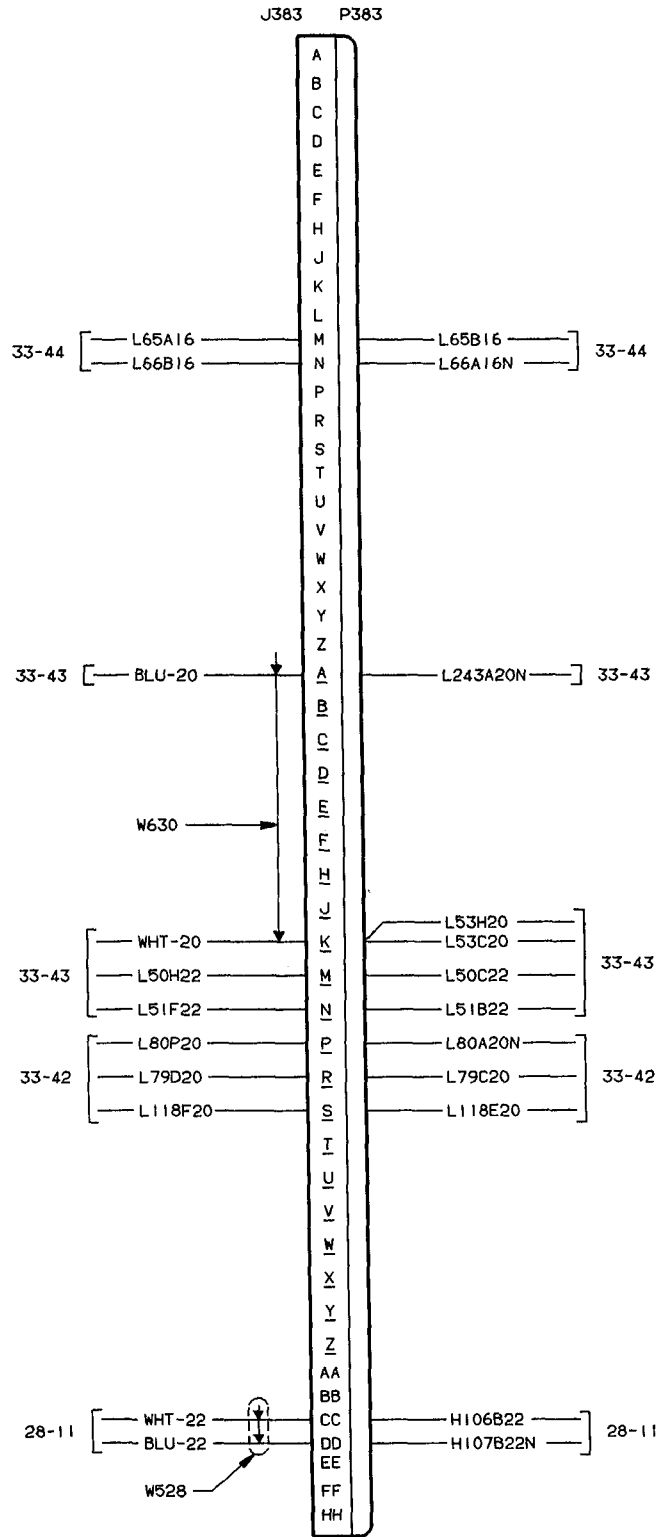
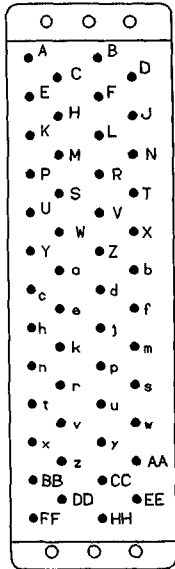
REFERENCE DESIGNATOR	PART NUMBER	DESCRIPTION	USABLE
			INSTL ON ZONE CODE
		91-21-00	
J382	201358-1	RCPT-RIGHT WING BREAK	547
P382	200277-2	PLUG-RIGHT WING BREAK	547

EFFECTIVITY CODE

**Beechcraft**  
**STARSHIP 1**  
**WIRING DIAGRAM MANUAL**

**91-22-00**

# Beechcraft STARSHIP 1 WIRING DIAGRAM MANUAL



J383 - 201358-1  
P383 - 200277-2

## CONNECTOR-L WING BREAK (J/P383)

**Beechcraft**  
**STARSHIP 1**  
**WIRING DIAGRAM MANUAL**

REFERENCE DESIGNATOR	PART NUMBER	DESCRIPTION	USABLE INSTL ON ZONE CODE
		91-22-00	
J383	201358-1	RCPT-LEFT WING BREAK	547
P383	200277-2	PLUG-LEFT WING BREAK	547

**EFFECTIVITY CODE**

**Beechcraft**  
**STARSHIP 1**  
**WIRING DIAGRAM MANUAL**

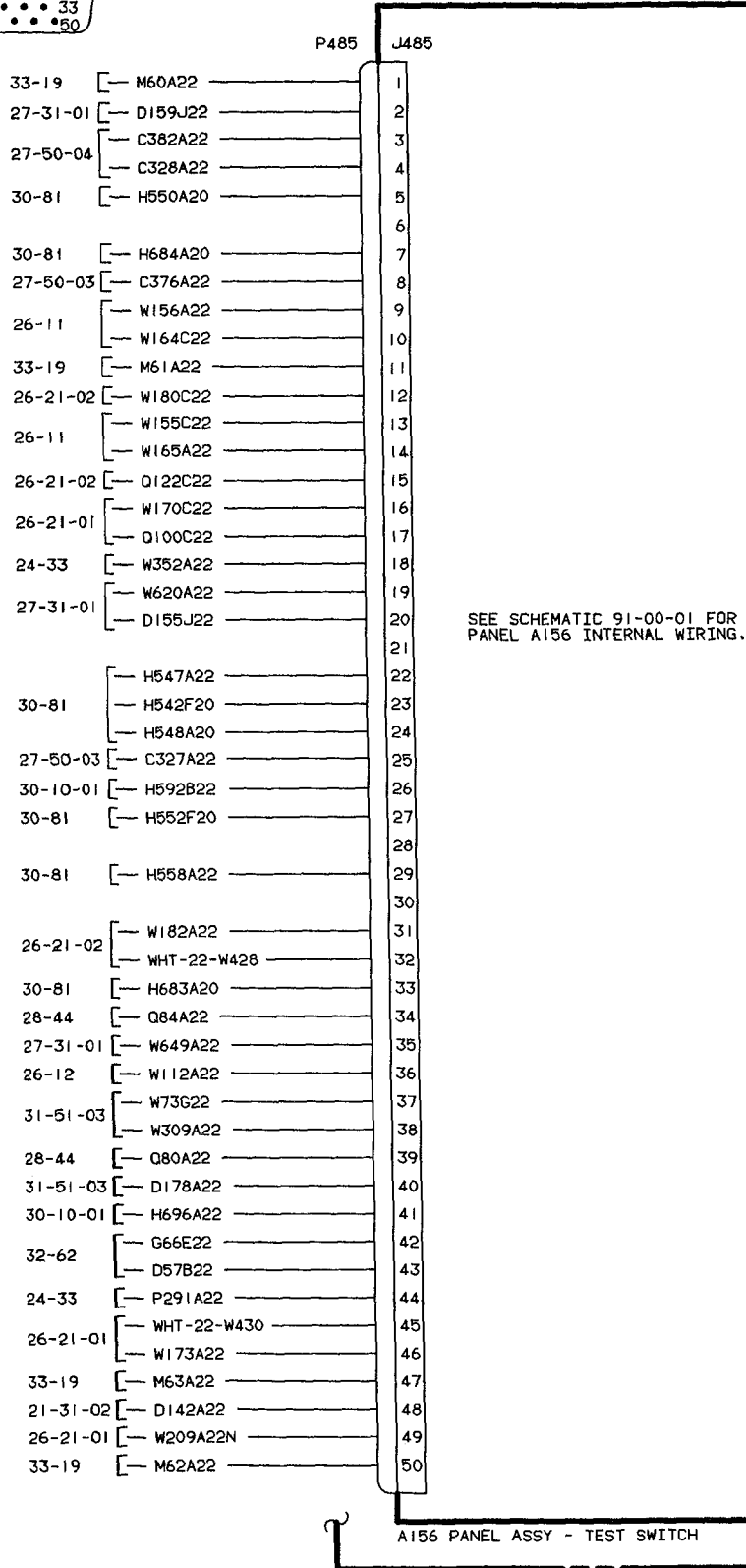
**91-23-00**



# Beechcraft STARSHIP 1 WIRING DIAGRAM MANUAL



P485 - 205211-1  
J485 - DDMMSOPE



## CONNECTOR-TEST SW PANEL, SUBPANEL, L OUTBD (J/P485, A156)

**Beechcraft**  
**STARSHIP 1**  
**WIRING DIAGRAM MANUAL**

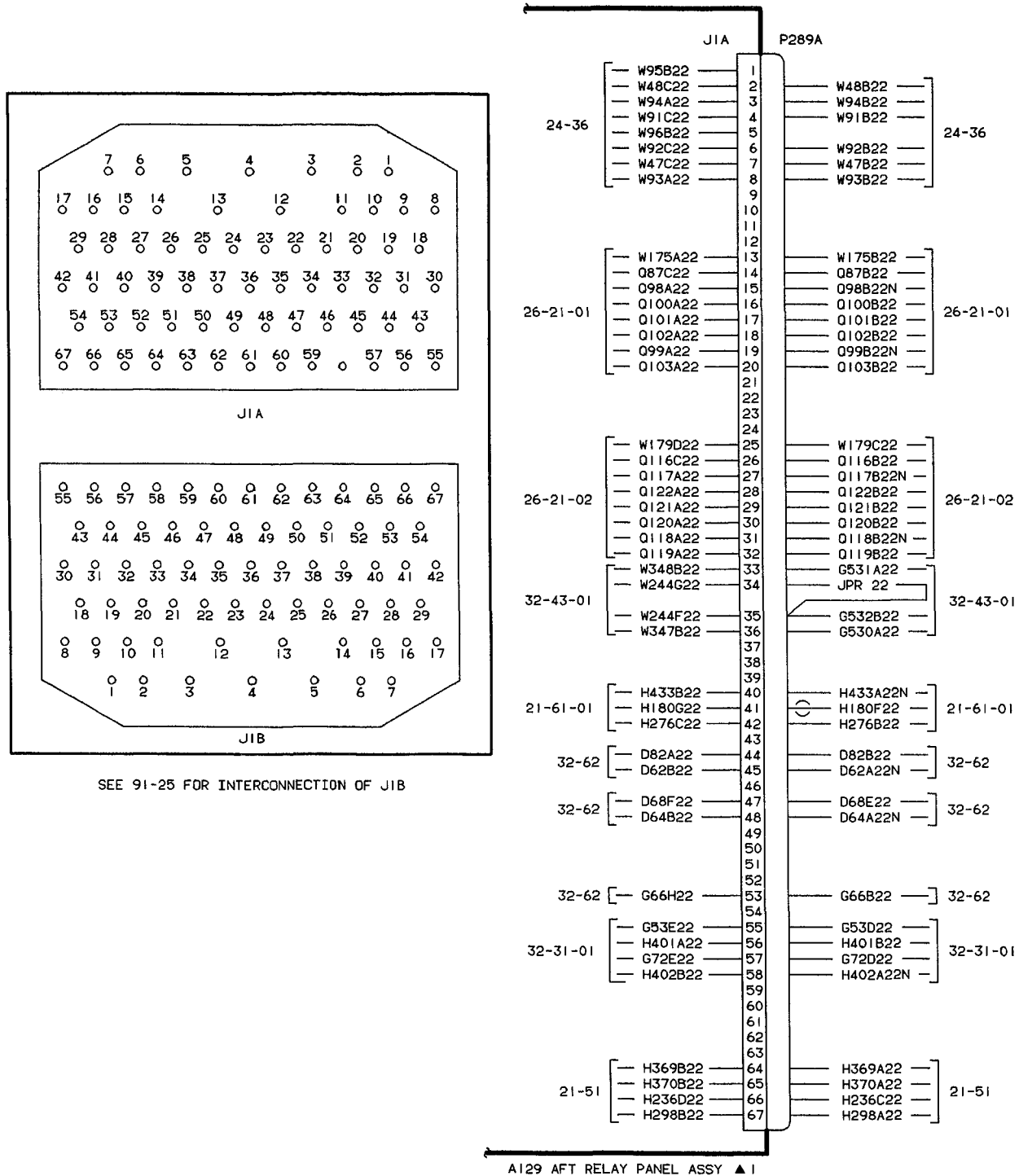
REFERENCE DESIGNATOR	PART NUMBER	DESCRIPTION	USABLE INSTL ON ZONE CODE
91-23-00			
A156	122-322207-9	PANEL ASSY-TEST SWITCH	244
J485	DDMM50PE	RCPT-LEFT SUBPNL OUTBD ASSY	244
P485	205211-1	PLUG-LEFT OUTBD SUBPNL ASSY	244

**EFFECTIVITY CODE**

Beechcraft  
STARSHIP 1  
WIRING DIAGRAM MANUAL

**91-24-00**

# Beechcraft STARSHIP 1 WIRING DIAGRAM MANUAL



**CONNECTOR-AFT RELAY PANEL CONN #1 SECT A (P289A, A129J1A)**

**Beechcraft**  
**STARSHIP 1**  
**WIRING DIAGRAM MANUAL**

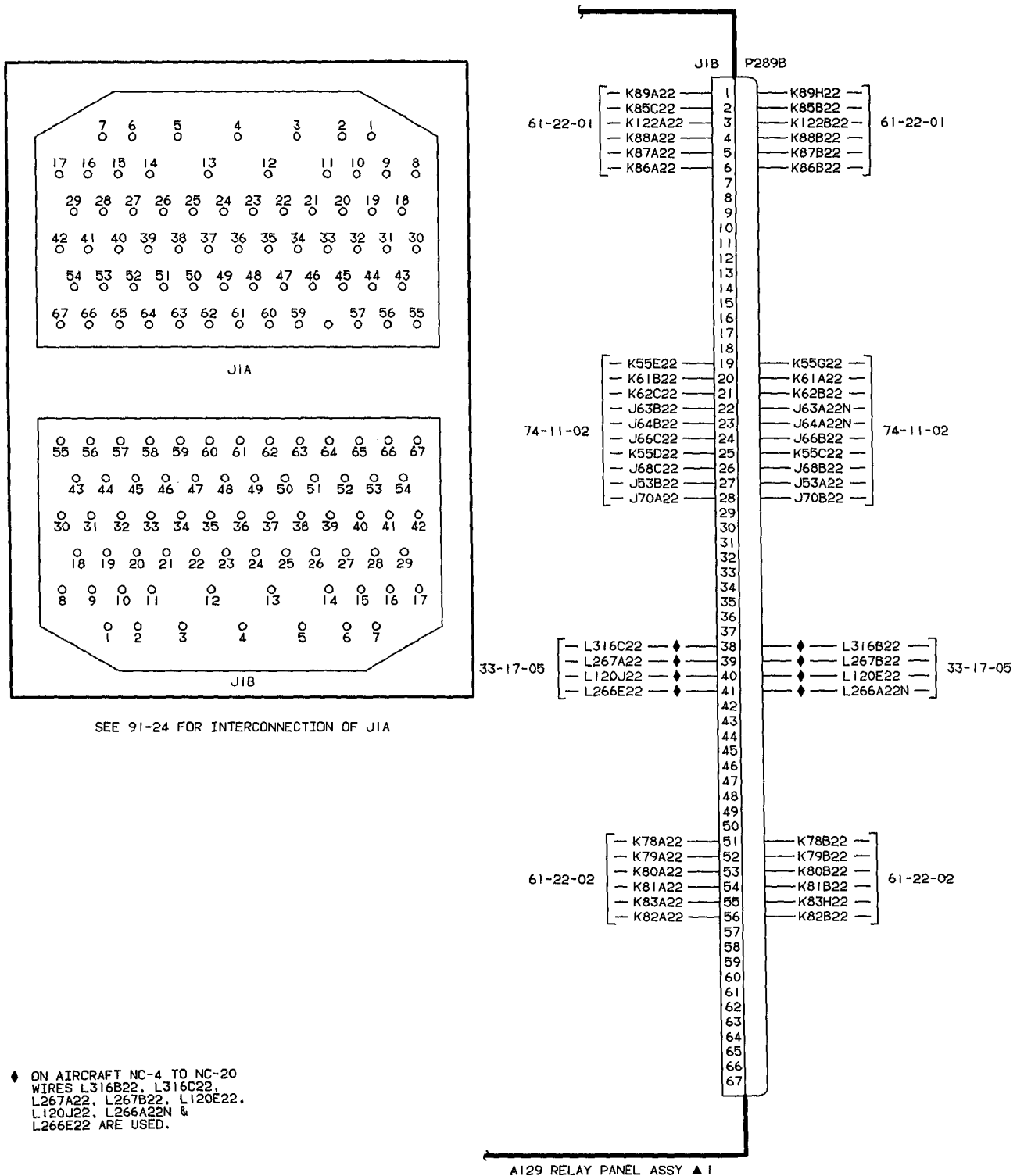
REFERENCE DESIGNATOR	PART NUMBER	DESCRIPTION	USABLE
			INSTL ON ZONE CODE
91-24-00			
A129J1A	RME2R67P67P-5001	RCPT-AFT RELAY PANEL ASSY	320
P289A	RME2P67S67S-5001	PLUG-AFT RELAY PANEL ASSY	320

**EFFECTIVITY CODE**

**Beechcraft**  
**STARSHIP 1**  
**WIRING DIAGRAM MANUAL**

**91-25-00**

# Beechcraft STARSHIP 1 WIRING DIAGRAM MANUAL



SEE 91-24 FOR INTERCONNECTION OF JIA

◆ ON AIRCRAFT NC-4 TO NC-20 WIRES L316B22, L316C22, L267A22, L267B22, L120E22, L120J22, L266A22N & L266E22 ARE USED.

## CONNECTOR-AFT RELAY PANEL CONN #1 SECT B (P289B, A129J1B)

**Beechcraft**  
**STARSHIP 1**  
**WIRING DIAGRAM MANUAL**

REFERENCE DESIGNATOR	PART NUMBER	DESCRIPTION	USABLE INSTL ON ZONE CODE
91-25-00			
A129J1B	RME2R67P67P-5001	RCPT-AFT RELAY PANEL ASSY	320
P289B	RME2P67S67S-5001	PLUG-AFT RELAY PANEL ASSY	320

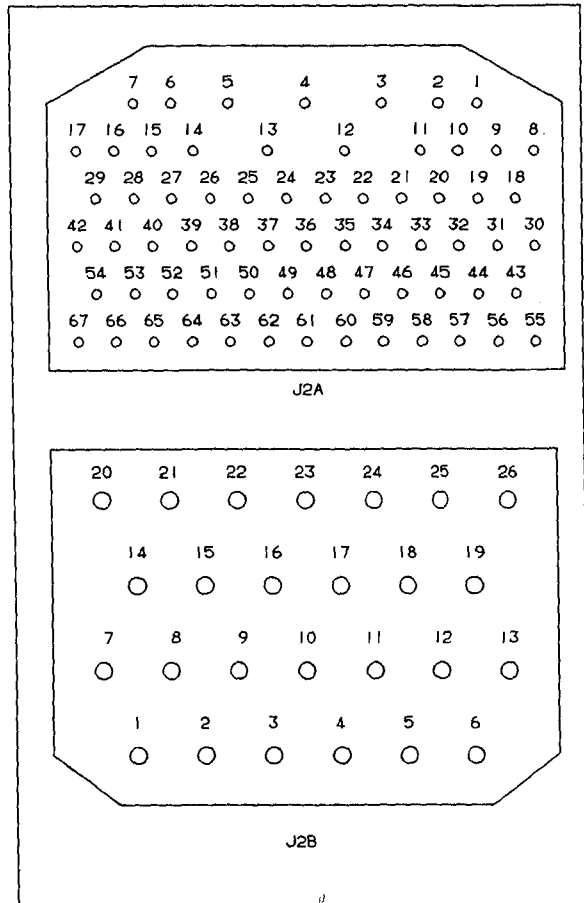
**EFFECTIVITY CODE**



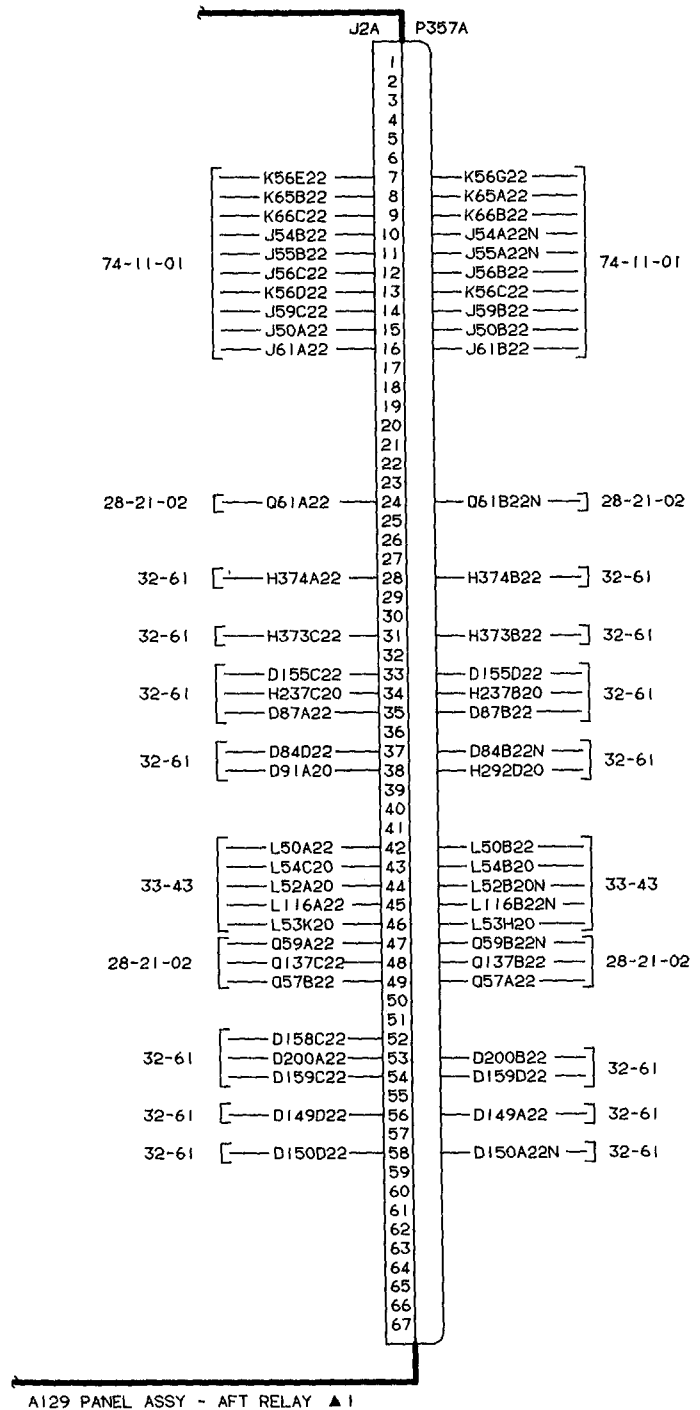
**Beechcraft**  
**STARSHIP 1**  
**WIRING DIAGRAM MANUAL**

**91-26-00**

# Beechcraft STARSHIP 1 WIRING DIAGRAM MANUAL



SEE 91-27 FOR INTERCONNECTION OF J2B



## CONNECTOR-AFT RELAY PANEL CONN #2 SECT A (P357A, A129J2A)

**Beechcraft**  
**STARSHIP 1**  
**WIRING DIAGRAM MANUAL**

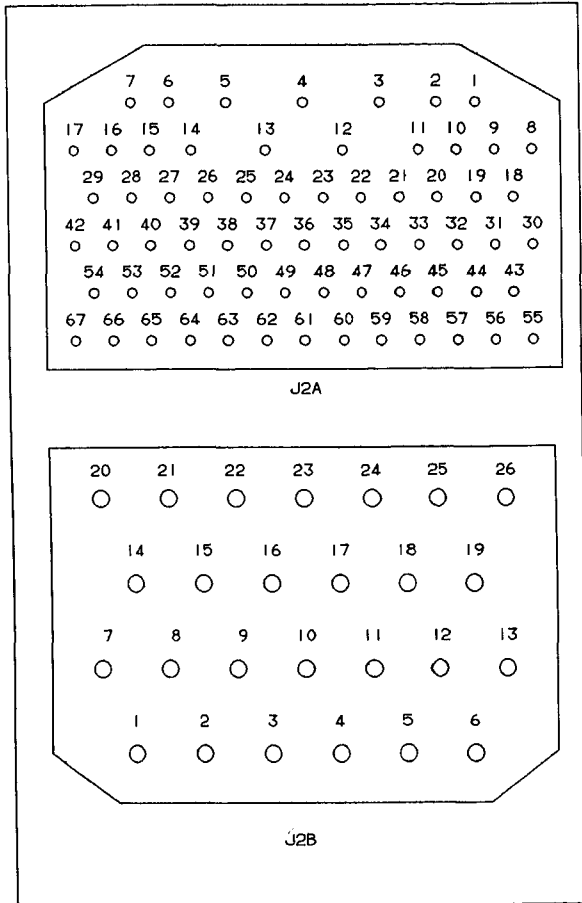
REFERENCE DESIGNATOR	PART NUMBER	DESCRIPTION	USABLE	
			INSTL ZONE	ON CODE
91-26-00				
A129	122-364131-19	PANEL ASSY-AFT RELAY		320
A129J2A	RME2R67P26P-5002	RCPT-AFT RELAY PANEL ASSY		320
P357A	RME2P67S26S-5002	PLUG-AFT RELAY PANEL ASSY		320

**EFFECTIVITY CODE**

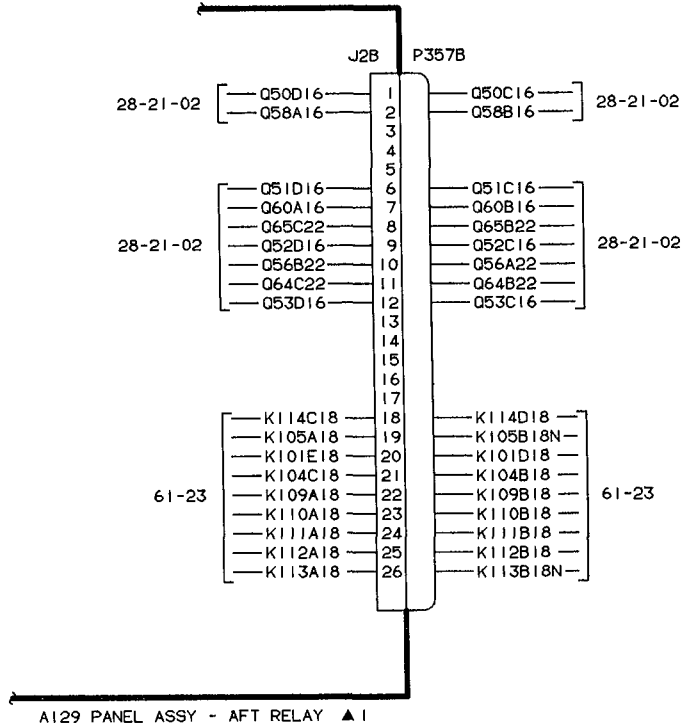
**Beechcraft**  
**STARSHIP 1**  
**WIRING DIAGRAM MANUAL**

**91-27-00**

# Beechcraft STARSHIP 1 WIRING DIAGRAM MANUAL



SEE 91-26 FOR INTERCONNECTION OF J2A



**CONNECTOR-AFT RELAY PANEL CONN #2 SECT B (P357B, A129J2B)**

**Beechcraft**  
**STARSHIP 1**  
**WIRING DIAGRAM MANUAL**

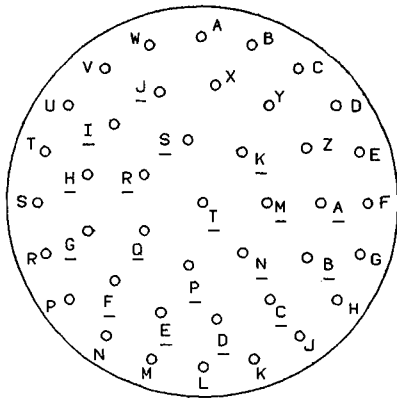
REFERENCE DESIGNATOR	PART NUMBER	DESCRIPTION	USABLE
			INSTL ON ZONE CODE
		91-27-00	
A129J2B	RME2R67P26P-5002	RCPT-AFT RELAY PANEL ASSY	320
P357B	RME2P67S26S-5002	PLUG-AFT RELAY PANEL ASSY	320

**EFFECTIVITY CODE**

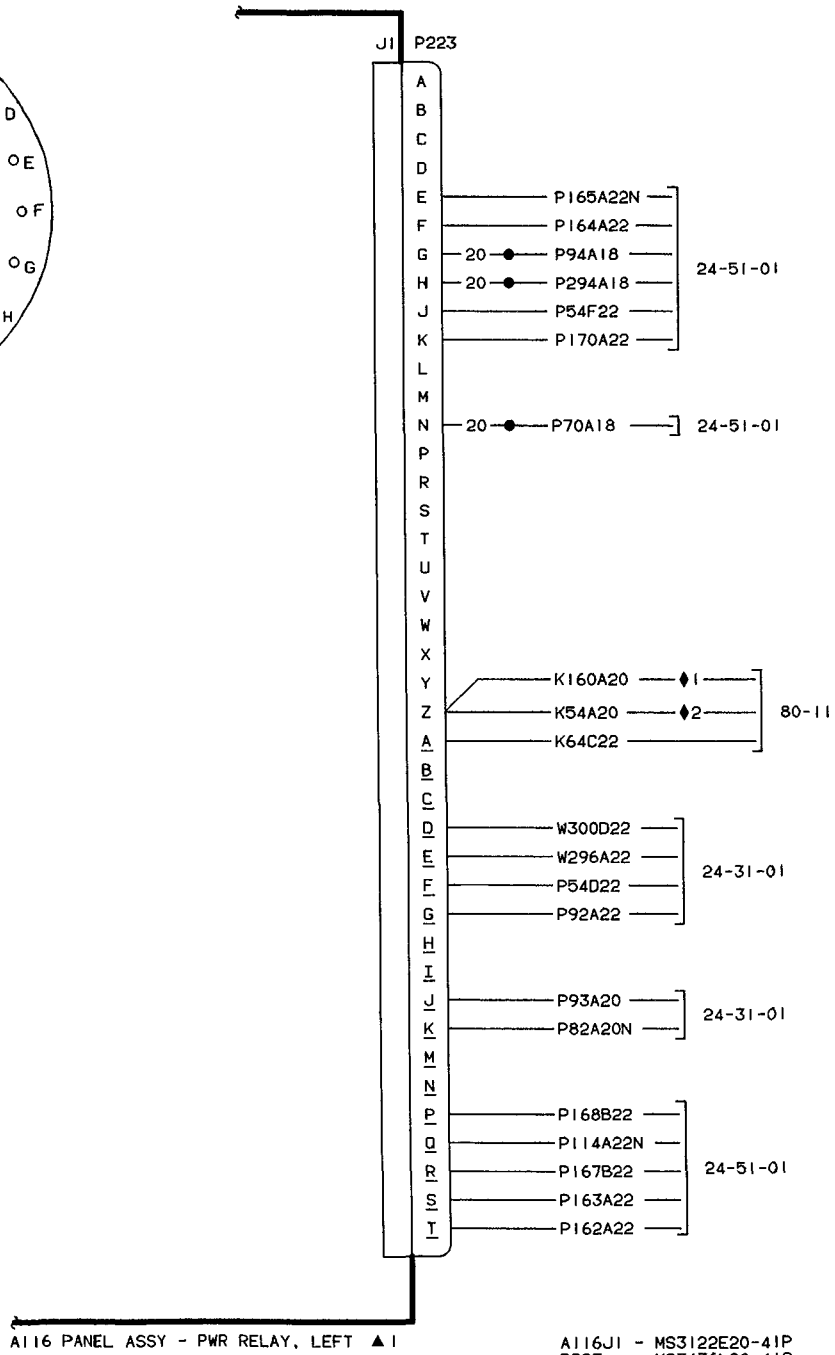
**Beechcraft**  
**STARSHIP 1**  
**WIRING DIAGRAM MANUAL**

**91-28-00**

# Beechcraft STARSHIP 1 WIRING DIAGRAM MANUAL



20-41  
41-#20



◆ 2 ON ACFT NC-30 & AFTER.  
◆ 1 ON ACFT NC-4 THRU NC-29.

## CONNECTOR-L NACELLE POWER RELAY PANEL (P223, A116J1)



**Beechcraft**  
**STARSHIP 1**  
**WIRING DIAGRAM MANUAL**

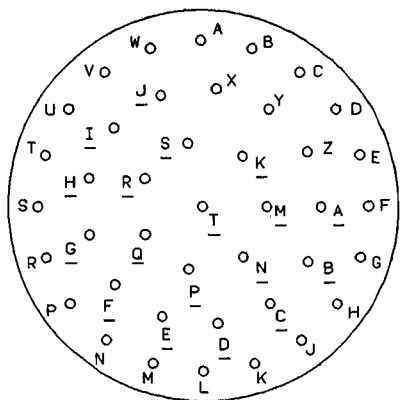
REFERENCE DESIGNATOR	PART NUMBER	DESCRIPTION	USABLE INSTL ON ZONE CODE
91-28-00			
A116	122-389020-1	PANEL ASSY-L POWER RELAY	583
A116J1	MS3122E20-41P	RCPT-LEFT NACELLE POWER RELAY PANEL	583
P223	MS3476L20-41S	PLUG-LEFT NACELLE POWER RELAY PANEL	583

**EFFECTIVITY CODE**

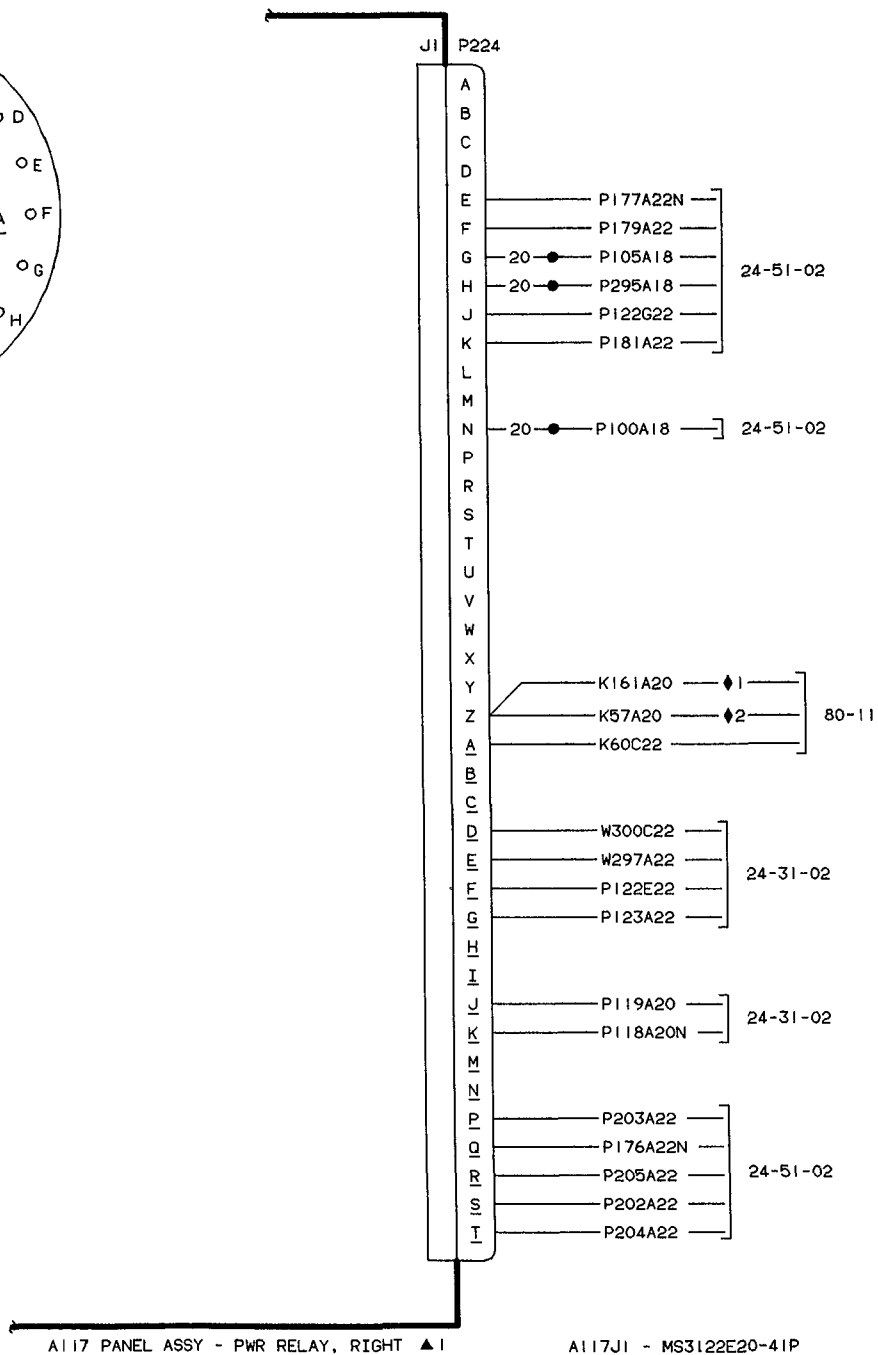
Beechcraft  
STARSHIP 1  
WIRING DIAGRAM MANUAL

**91-29-00**

# Beechcraft STARSHIP 1 WIRING DIAGRAM MANUAL



20-41  
41-#20



◆ 2 ON ACFT NC-30 & AFTER.  
◆ 1 ON ACFT NC-4 THRU NC-29.

## CONNECTOR-R NACELLE POWER RELAY PANEL (P224, A117J1)

**Beechcraft**  
**STARSHIP 1**  
**WIRING DIAGRAM MANUAL**

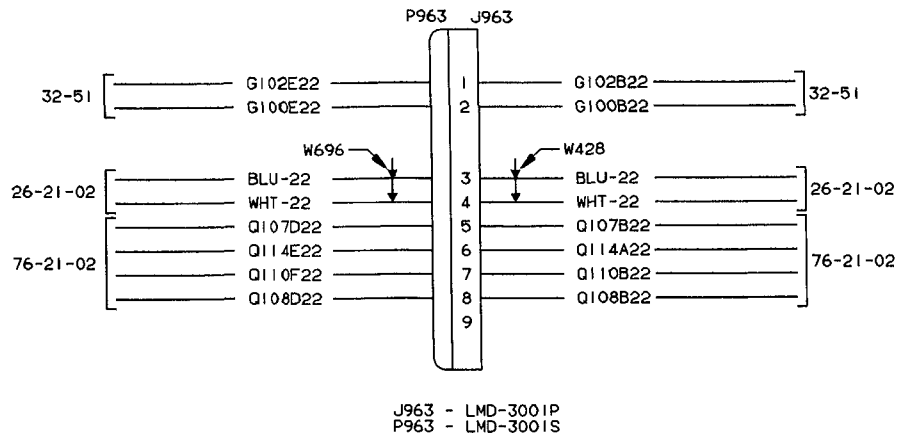
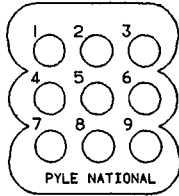
REFERENCE DESIGNATOR	PART NUMBER	DESCRIPTION	USABLE
			INSTL ON ZONE CODE
91-29-00			
A117	122-389020-1	PANEL ASSY-R POWER RELAY	683
A117J1	MS3122E20-41P	RCPT-RIGHT NACELLE POWER RELAY PANEL	683
P224	MS3476L20-41S	PLUG-RIGHT NACELLE POWER RELAY PANEL	683

EFFECTIVITY CODE

**Beechcraft**  
**STARSHIP 1**  
**WIRING DIAGRAM MANUAL**

**91-30-00**

# Beechcraft STARSHIP 1 WIRING DIAGRAM MANUAL



## CONNECTOR-BATTERY CABLE (J/P963)

**Beechcraft**  
**STARSHIP 1**  
**WIRING DIAGRAM MANUAL**

REFERENCE DESIGNATOR	PART NUMBER	DESCRIPTION	USABLE INSTL ON ZONE CODE
		91-30-00	
J963	LMD-3001-P	RCPT-BATTERY CABLE	286
P963	LMD-3001-S	PLUG-BATTERY CABLE	286

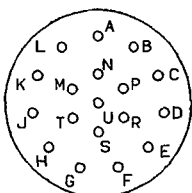
EFFECTIVITY CODE

**Beechcraft**  
**STARSHIP 1**  
**WIRING DIAGRAM MANUAL**

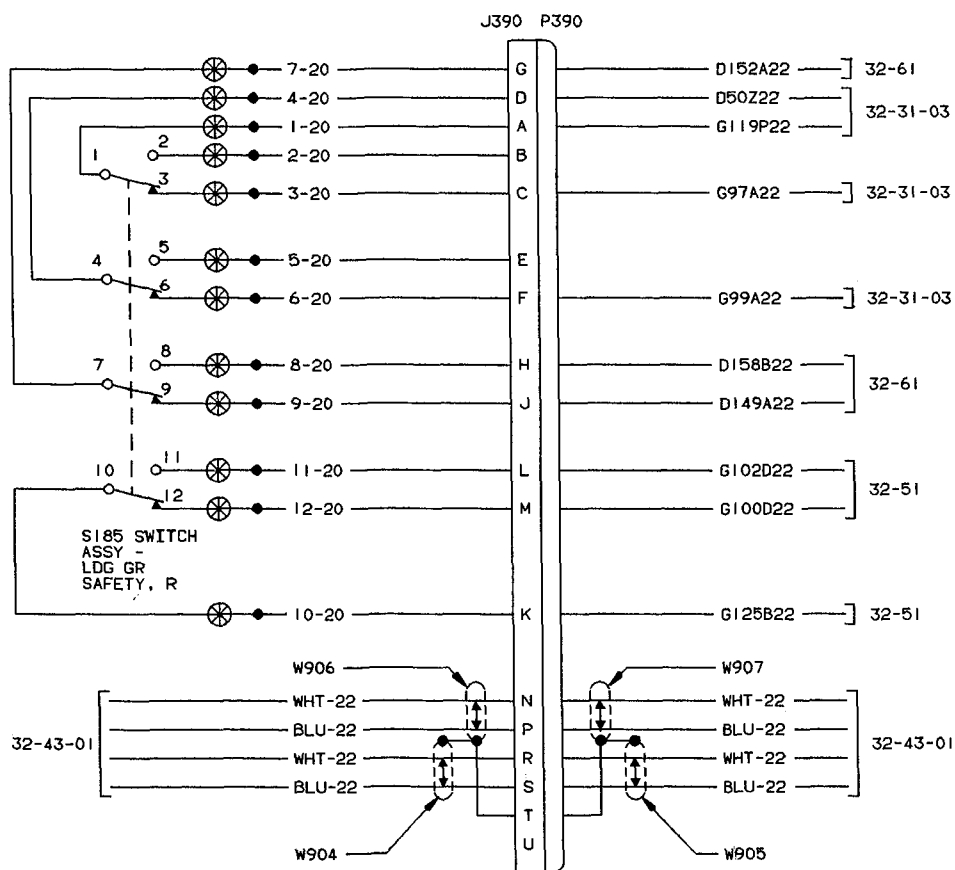
**91-31-00**



# Beechcraft STARSHIP 1 WIRING DIAGRAM MANUAL



14-18  
18-#20



J390 - MS3471L14-18P  
P390 - MS3476L14-18S

## CONNECTOR-R SAFETY SWITCH (J/P390)

**Beechcraft**  
**STARSHIP 1**  
**WIRING DIAGRAM MANUAL**

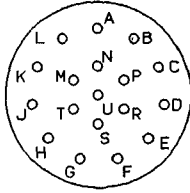
REFERENCE DESIGNATOR	PART NUMBER	DESCRIPTION	USABLE	
			INSTL ZONE	ON CODE
91-31-00				
J390	MS3471L14-18P	RCPT-RIGHT SQUAT SWITCH		730
P390	MS3476L14-18S	PLUG-RIGHT SQUAT SWITCH		730

**EFFECTIVITY CODE**

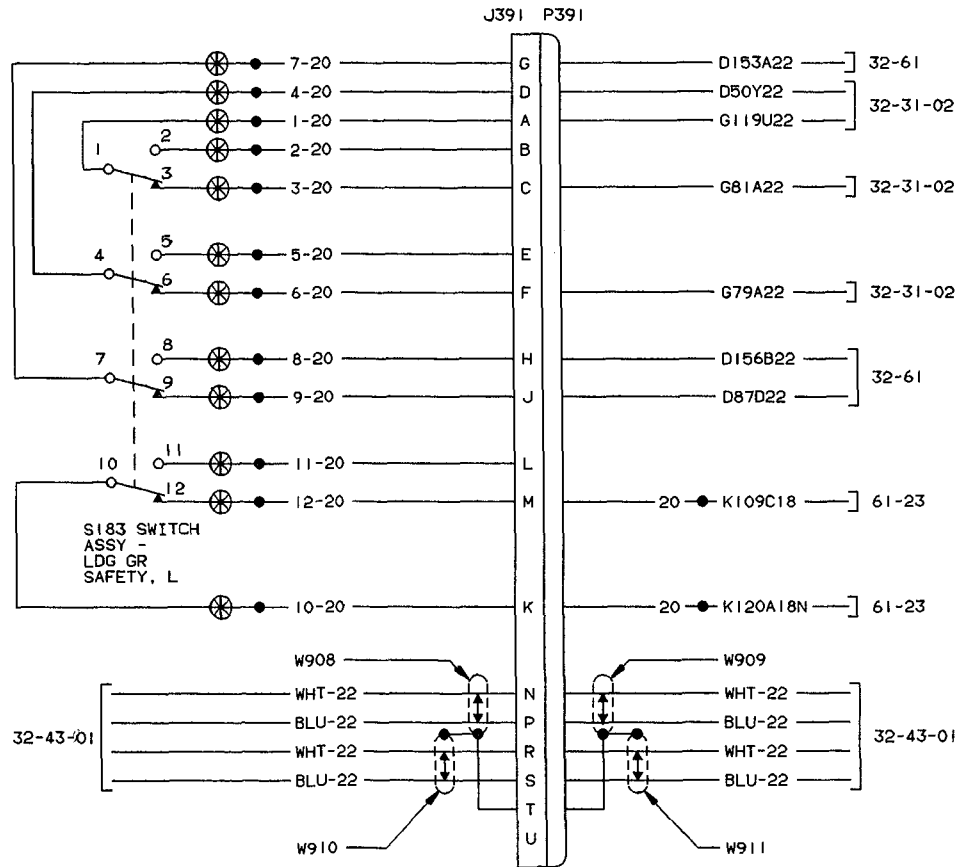
**Beechcraft**  
**STARSHIP 1**  
**WIRING DIAGRAM MANUAL**

**91-32-00**

# Beechcraft STARSHIP 1 WIRING DIAGRAM MANUAL



14-18  
18-#20



J391 - MS3471L14-18P  
P391 - MS3476L14-18S

## CONNECTOR-L SAFETY SWITCH (J/P391)

**Beechcraft**  
**STARSHIP 1**  
**WIRING DIAGRAM MANUAL**

REFERENCE DESIGNATOR	PART NUMBER	DESCRIPTION	USABLE	
			INSTL	ON ZONE CODE
		91-32-00		
J391	MS3471L14-18P	RCPT-LEFT SQUAT SWITCH		720
P391	MS3476L14-18S	PLUG-LEFT SQUAT SWITCH		720

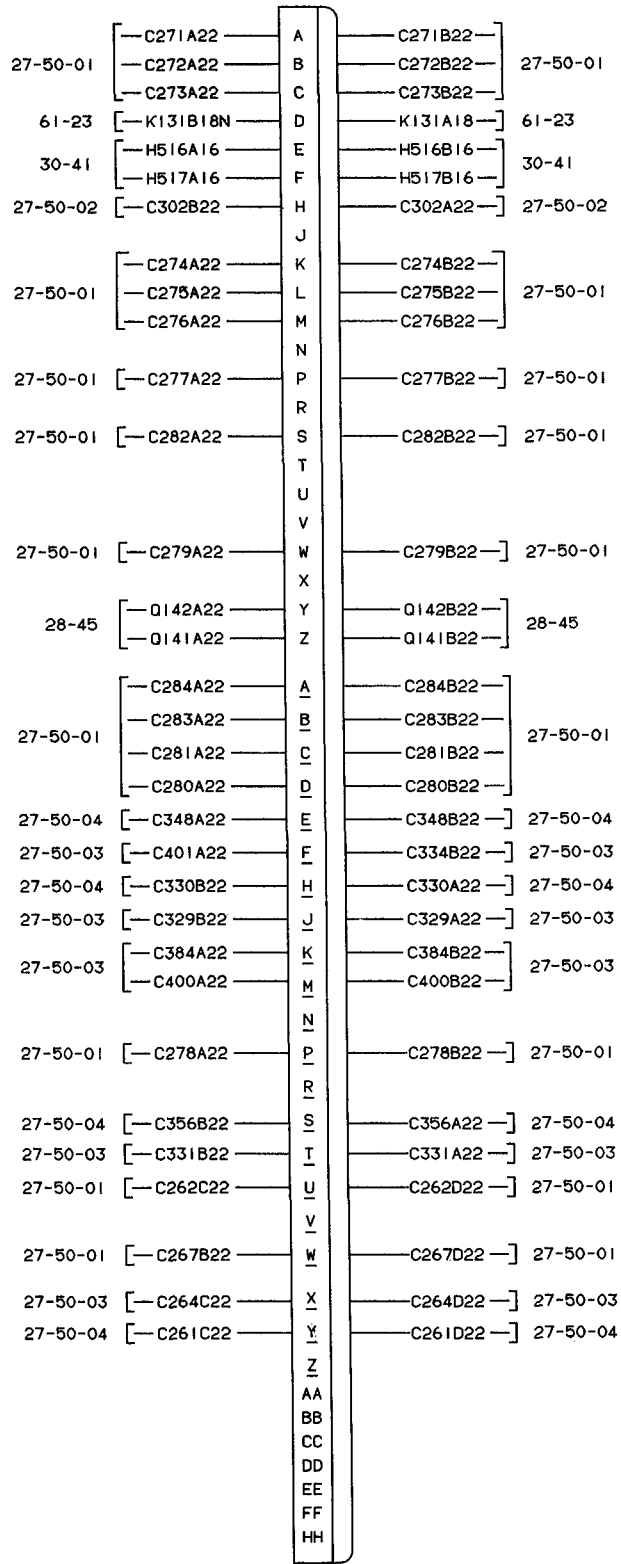
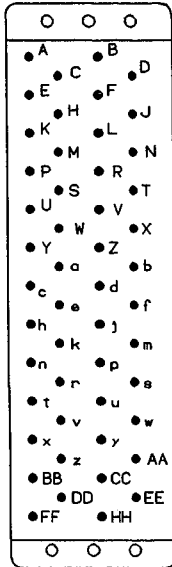
EFFECTIVITY CODE

**Beechcraft**  
**STARSHIP 1**  
**WIRING DIAGRAM MANUAL**

**91-33-00**

# Beechcraft STARSHIP 1 WIRING DIAGRAM MANUAL

J647 P647



J647 - 200277-4  
P647 - 201358-3

## CONNECTOR-LEFT FUSELAGE BREAK #3 (J/P647)

**Beechcraft**  
**2000**  
**WIRING DIAGRAM MANUAL**

REFERENCE DESIGNATOR	PART NUMBER	DESCRIPTION	USABLE	
			INSTL	ON ZONE CODE
<b>91-33-00</b>				
J647	200277-4	RCPT-L FUSELAGE BREAK #3		172
P647	201358-3	PLUG-L FUSELAGE BREAK #3		172

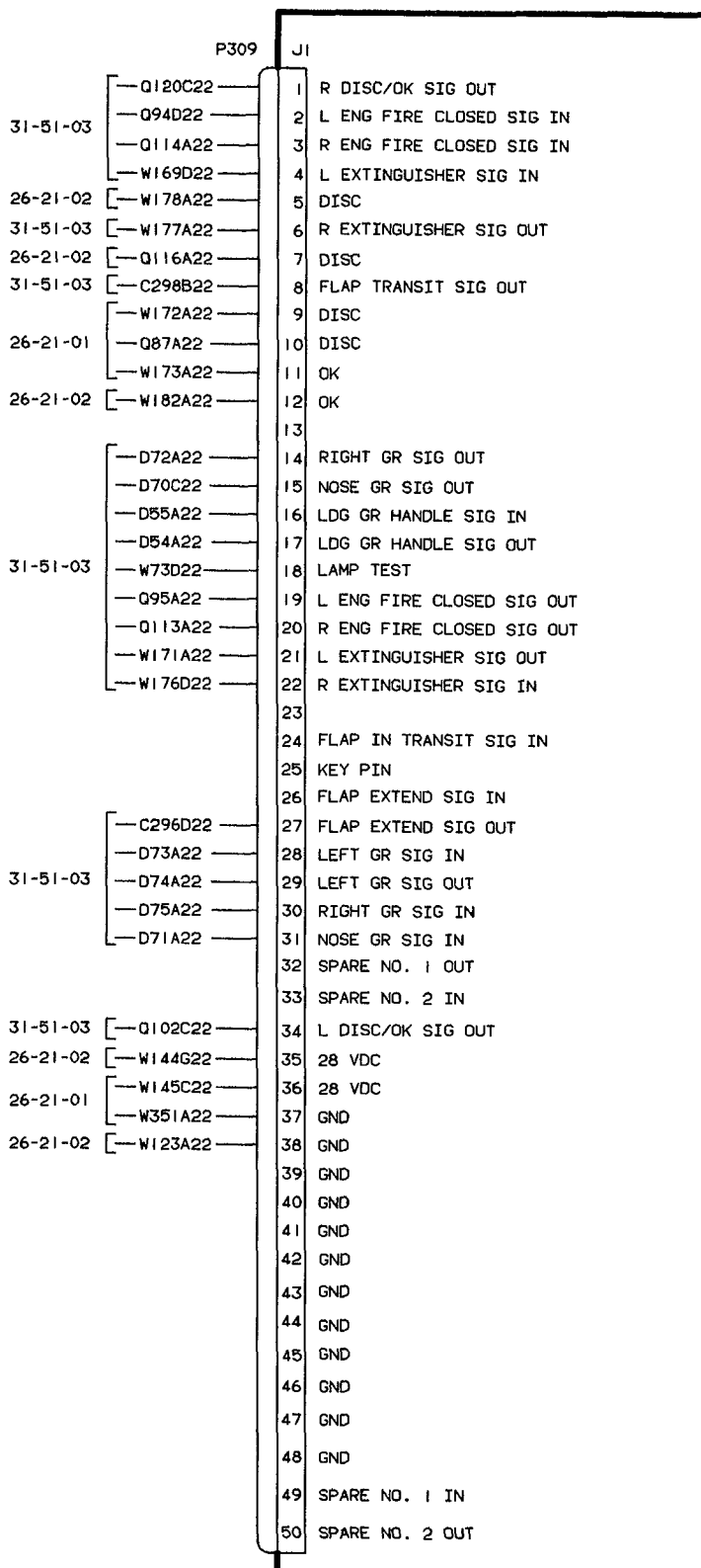
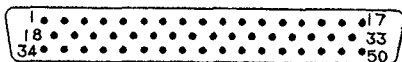
**EFFECTIVITY CODE**



**Beechcraft**  
**STARSHIP 1**  
**WIRING DIAGRAM MANUAL**

**91-37-00**

# Beechcraft STARSHIP 1 WIRING DIAGRAM MANUAL



P309 - 130106DSM-50S  
A130J1 - DDM50PD

A130 ANNUNCIATION & FIRE EXTINGUISHER TEST PCB

## CONNECTOR-ANN & FIRE DETECTION TEST PCB (P309, A130J1)

**Beechcraft**  
**STARSHIP 1**  
**WIRING DIAGRAM MANUAL**

REFERENCE DESIGNATOR	PART NUMBER	DESCRIPTION	USABLE
			INSTL ON ZONE CODE
91-37-00			
A130	122-364038-5	ANNUNCIATOR & FIRE EXTINGUISHER TEST	237
A130J1	DDM50PD	RCPT	237
P309	130106DSM-50S	PLUG-ANNUNCIATOR & FIRE EXTINGUISHER TEST	237

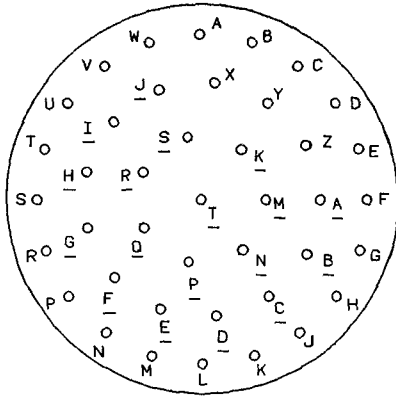
**EFFECTIVITY CODE**

**Beechcraft**  
**STARSHIP 1**  
**WIRING DIAGRAM MANUAL**

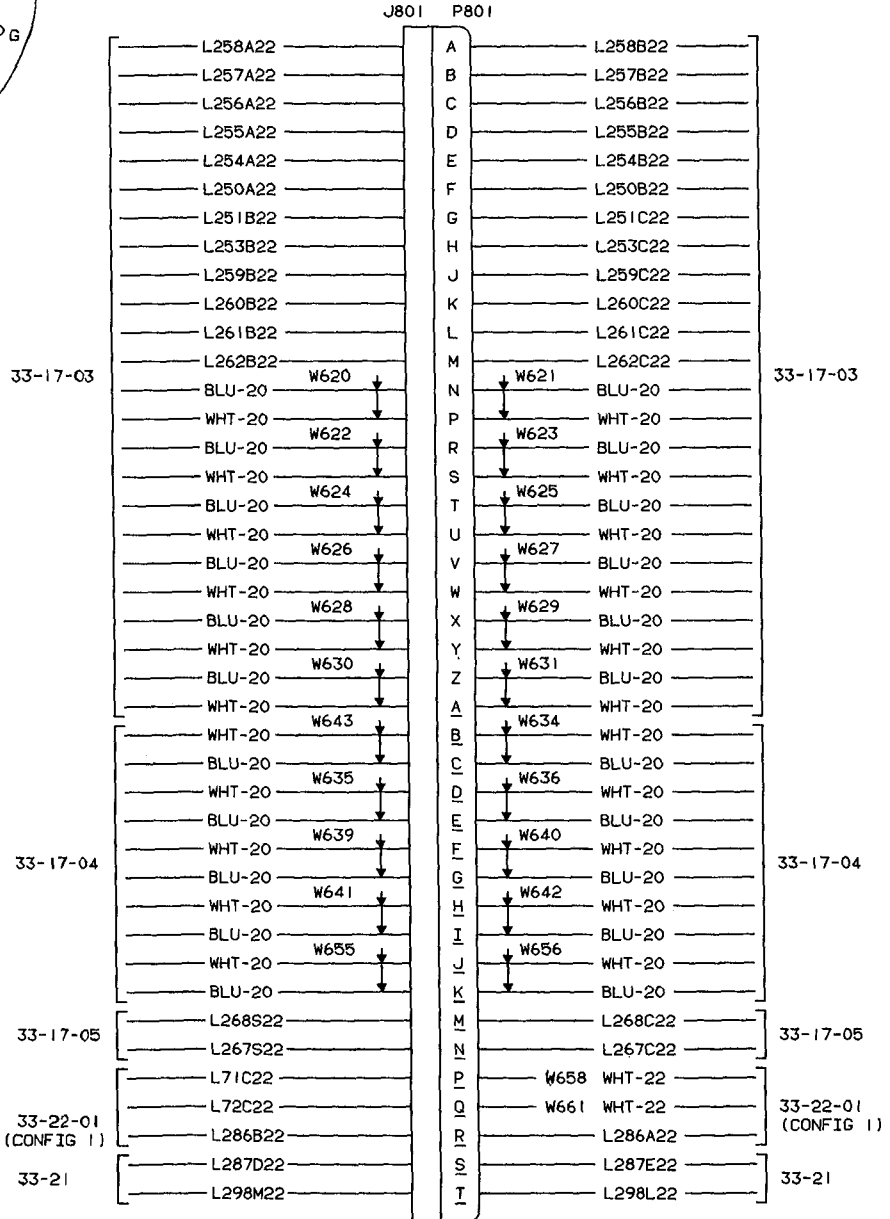
**91-38-00**

**NC-4 THRU NC-20**

# Beechcraft STARSHIP 1 WIRING DIAGRAM MANUAL



20-41  
41-#20



J801 - MS3471L20-41P  
P801 - MS3476L20-41S

## CONNECTOR-FORWARD BAGGAGE COMPARTMENT (J/P801)

**Beechcraft**  
**STARSHIP 1**  
**WIRING DIAGRAM MANUAL**

REFERENCE DESIGNATOR	PART NUMBER	DESCRIPTION	USABLE	
			INSTL ZONE	ON CODE
<b>91-38-00</b>				
J801	MS3471L20-41P	RCPT-FWD BAGGAGE COMPARTMENT	276	1
P801	MS3476L20-41S	PLUG-FWD BAGGAGE COMPARTMENT	262	1

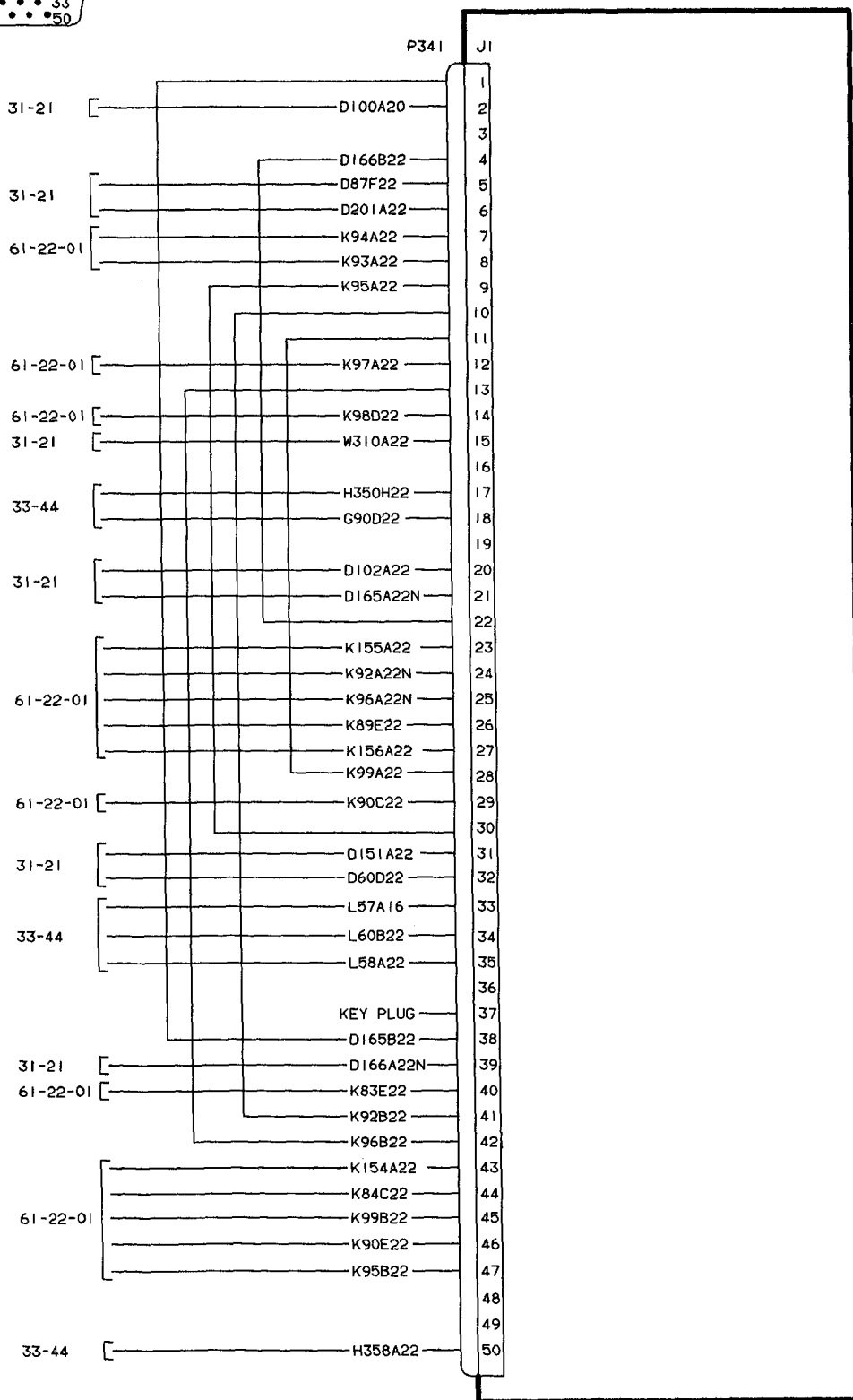
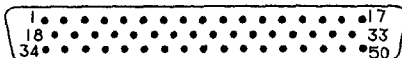
**EFFECTIVITY CODE**

1. NC-4 THRU NC-20

**Beechcraft**  
**STARSHIP 1**  
**WIRING DIAGRAM MANUAL**

**91-39-00**

# Beechcraft STARSHIP 1 WIRING DIAGRAM MANUAL



P341 - 130106DSM-50S  
A134J1 - DDM50PD

A134 PCB ASSY - RELAY ▲ 1

## CONNECTOR-RELAY PCB (P341, A134J1)



**Beechcraft**  
**STARSHIP 1**  
**WIRING DIAGRAM MANUAL**

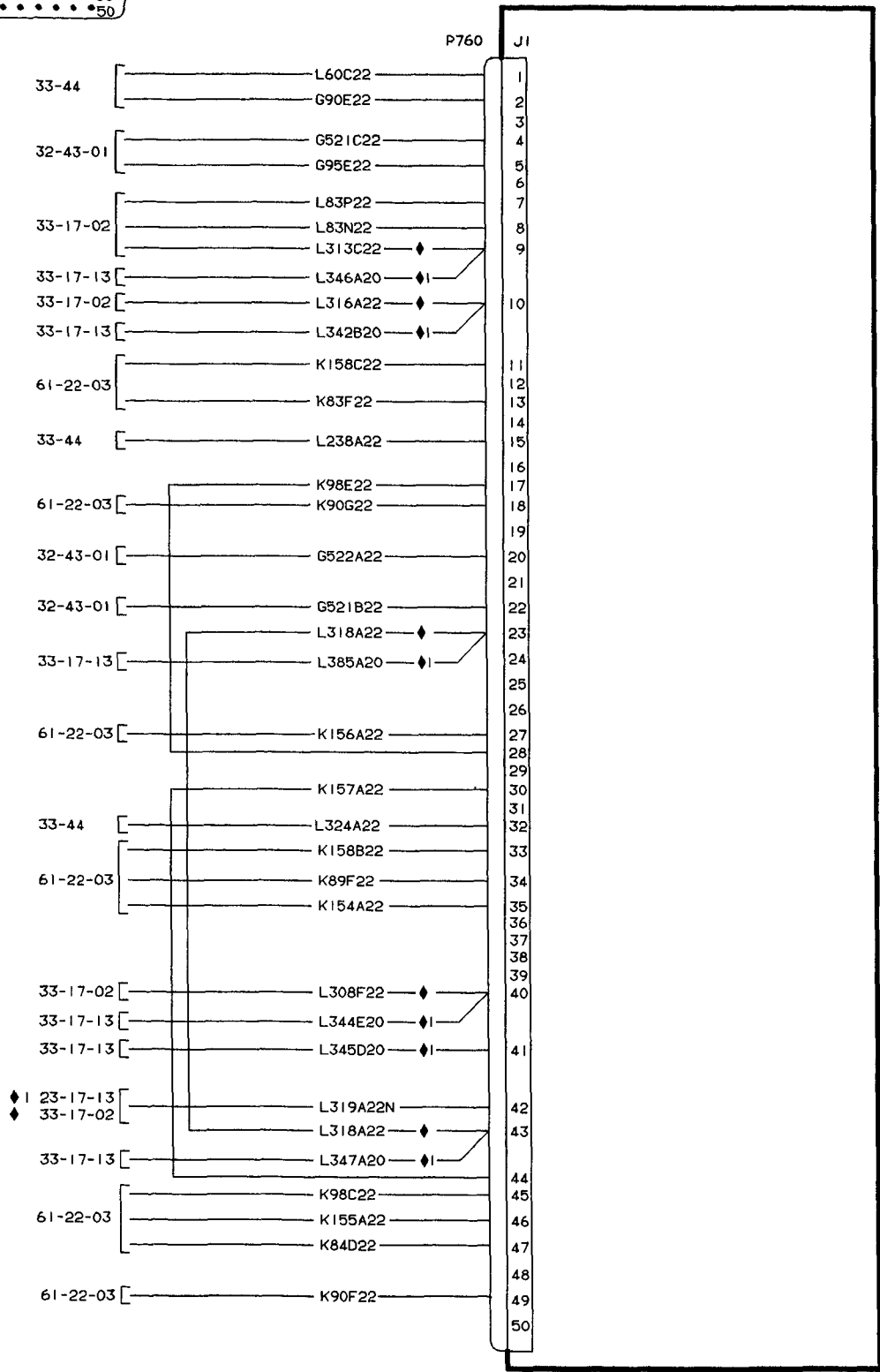
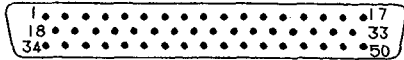
REFERENCE DESIGNATOR	PART NUMBER	DESCRIPTION	USABLE	
			INSTL ZONE	ON CODE
91-39-00				
A134	122-364156-1	PCB ASSY-RELAY		237
A134J1	DDM50PD	RCPT-LOGIC RELAY PCB		237
P341	130106DSM-50S	PLUG-PCB,RELAY		237

EFFECTIVITY CODE

**Beechcraft**  
**STARSHIP 1**  
**WIRING DIAGRAM MANUAL**

**91-40-00**

# Beechcraft STARSHIP 1 WIRING DIAGRAM MANUAL



P760 - 130106DSM-50S  
A182J1 - DDM50PD

A182 PCB ASSY - RELAY ▲ I

## CONNECTOR-RELAY PCB (P760, A182J1)

- ◆ I ON AIRCRAFT NC-21 & AFT THIS WIRE IS USED
- ◆ ON AIRCRAFT NC-4 THRU NC-20 THIS WIRE IS USED

**Beechcraft**  
**STARSHIP 1**  
**WIRING DIAGRAM MANUAL**

REFERENCE DESIGNATOR	PART NUMBER	DESCRIPTION	USABLE	
			INSTL ZONE	ON CODE
91-40-00				
A182	122-364156-1	PCB ASSY-RELAY		237
A182J1	DDM50PD	RCPT		237
A182J1	DDM50PD	RCPT		237
P760	130106DSM-50S	PLUG-LOGIC RELAY PCB ASSY		237

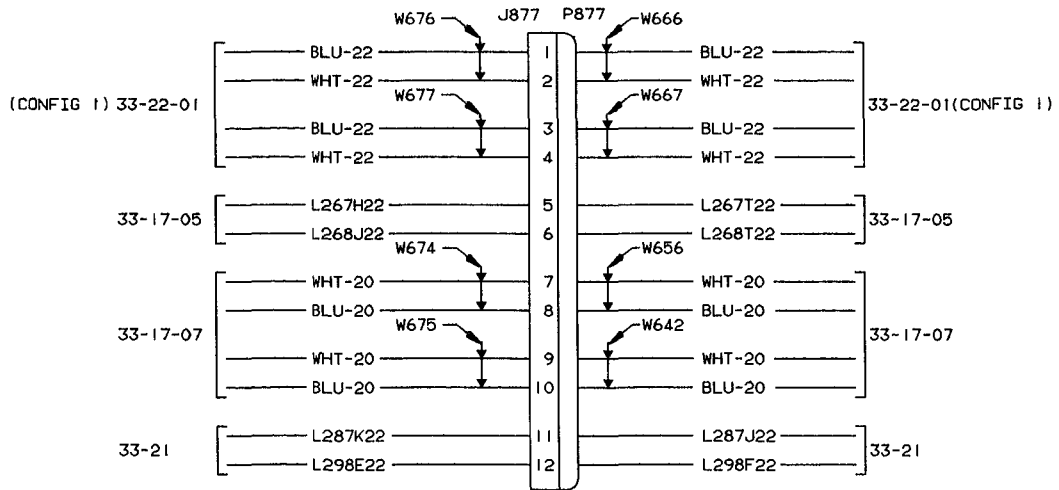
**EFFECTIVITY CODE**

**Beechcraft**  
**STARSHIP 1**  
**WIRING DIAGRAM MANUAL**

**91-41-00**

**NC-4 THRU NC-20**

# Beechcraft STARSHIP 1 WIRING DIAGRAM MANUAL



J877 - 207018-1  
P877 - 207017-1

## CONNECTOR-LEFT SIDEWALL (J/P877)

**Beechcraft**  
**STARSHIP 1**  
**WIRING DIAGRAM MANUAL**

REFERENCE DESIGNATOR	PART NUMBER	DESCRIPTION	USABLE	
			INSTL ZONE	ON CODE
91-41-00				
J877	207018-1	RCPT-AFT FUSELAGE BREAK	285	1
P877	207017-1	PLUG-AFT FUSELAGE BREAK	286	1

**EFFECTIVITY CODE**

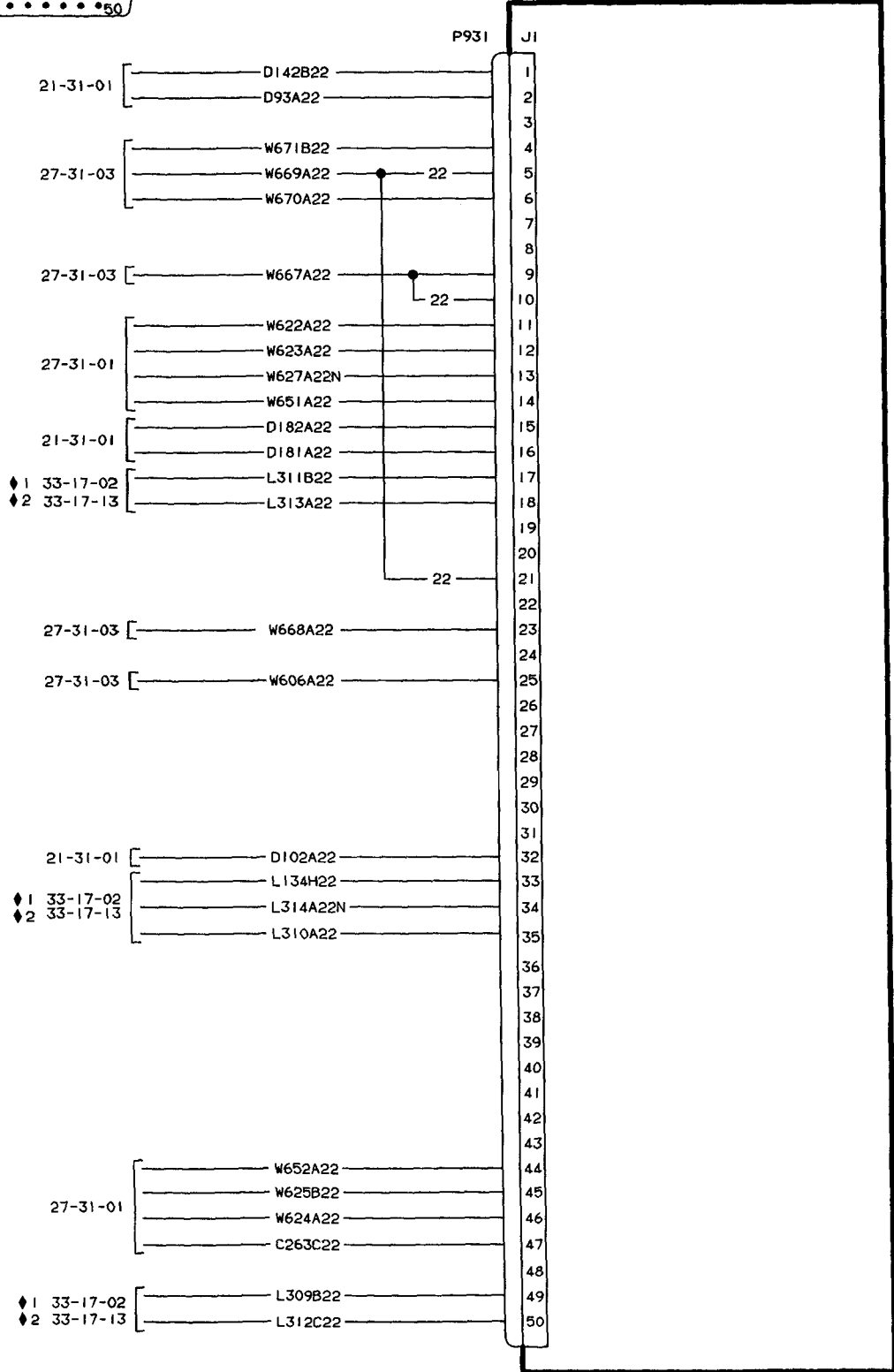
1. NC-4 THRU NC-20

**Beechcraft**  
**STARSHIP 1**  
**WIRING DIAGRAM MANUAL**

**91-42-00**



# Beechcraft STARSHIP 1 WIRING DIAGRAM MANUAL



P931 - I30106DSM-50S  
A211J1 - DDM50PD

A211 PCB ASSY - RELAY ▲ 1

## CONNECTOR-RELAY PCB (P931, A211J1)

- ♦2 ON AIRCRAFT NC-21 & AFT  
CROSS-REF 33-17-13
- ♦1 ON AIRCRAFT NC-4 THRU  
NC-20 CROSS-REF IS  
33-17-02

**Beechcraft**  
**STARSHIP 1**  
**WIRING DIAGRAM MANUAL**

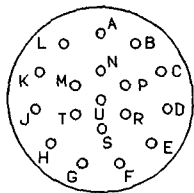
REFERENCE DESIGNATOR	PART NUMBER	DESCRIPTION	USABLE	
			INSTL	ON ZONE CODE
91-42-00				
A211	122-364156-1	PCB ASSY-RELAY		237
A211J1	DDM50PD	RCPT		237
P931	130106DSM-50S	PLUG-LOGIC RELAY PCB ASSY		237

**EFFECTIVITY CODE**

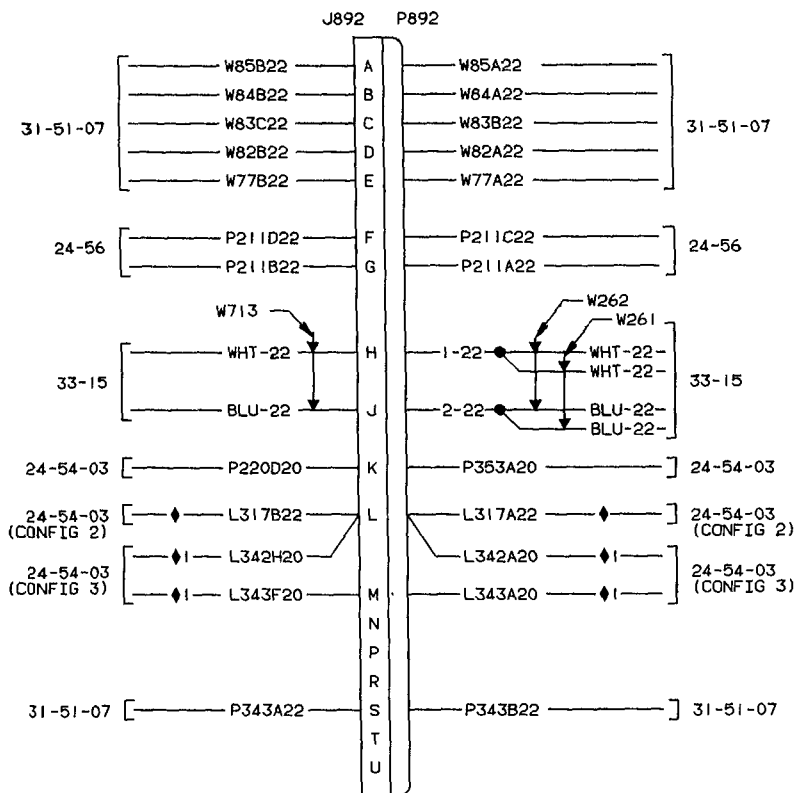
**Beechcraft**  
**STARSHIP 1**  
**WIRING DIAGRAM MANUAL**

**91-44-00**

# Beechcraft STARSHIP 1 WIRING DIAGRAM MANUAL



14-18  
18-#20



J892 - MS3471L14-18P  
P892 - MS3476L14-18S

◆ ON ACFT NC-21 & AFTER, WIRES L342A20, L342H20, L343A20 & L343F20 ARE USED.

◆ ON ACFT NC-5 & NC-10 THRU NC-20, WIRES L317A22 & L317B22 ARE USED.

## CONNECTOR-BREAK, R CIRCUIT BREAKER PANEL (J/P892)

**Beechcraft**  
**STARSHIP 1**  
**WIRING DIAGRAM MANUAL**

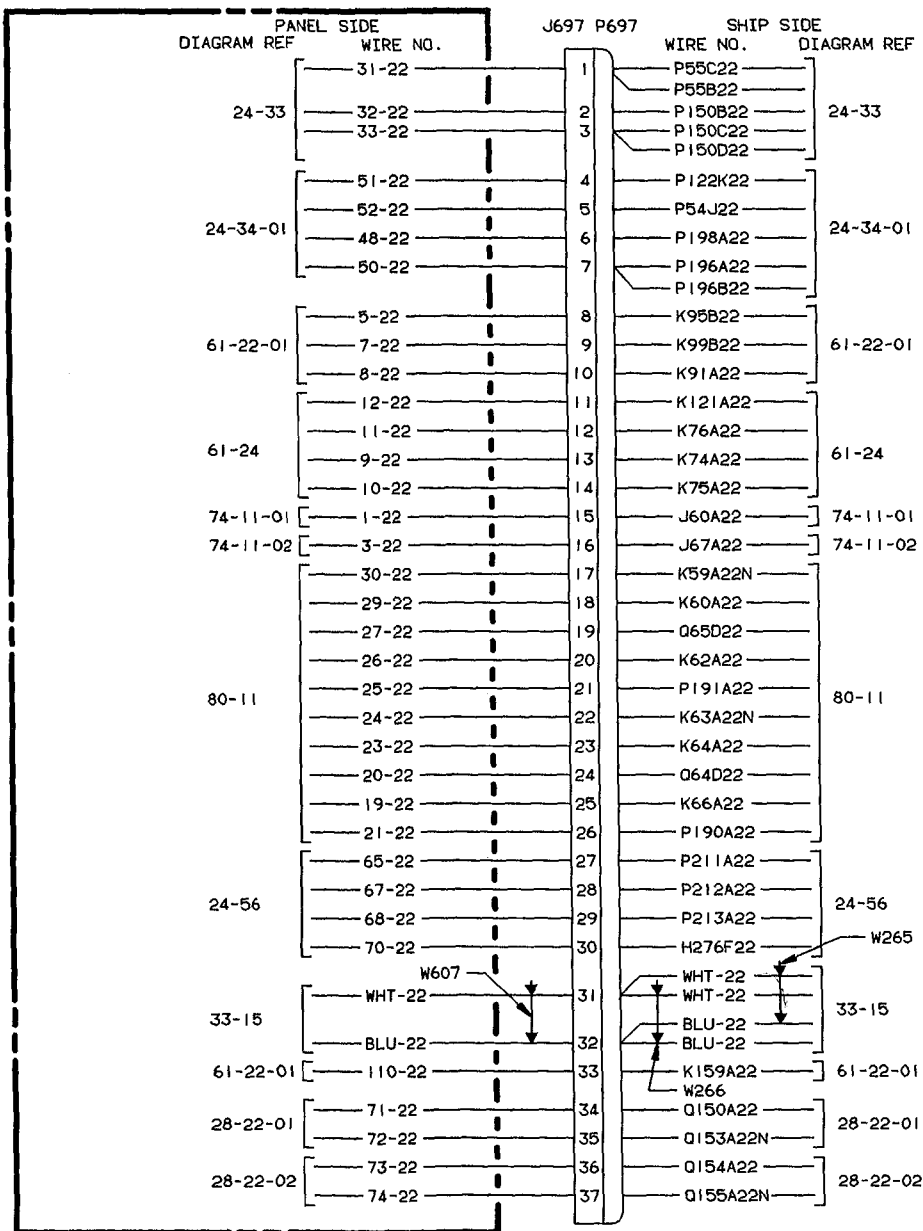
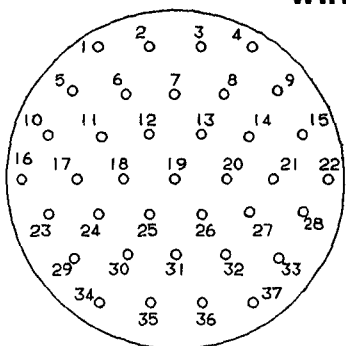
REFERENCE DESIGNATOR	PART NUMBER	DESCRIPTION	USABLE	
			INSTL ZONE	ON CODE
91-44-00				
J892	MS3471L14-18P	RCPT-R CIRCUIT BREAKER PANEL		246
P892	MS3476L14-18S	PLUG-R CIRCUIT BREAKER PANEL ASSY		246

**EFFECTIVITY CODE**

**Beechcraft**  
**STARSHIP 1**  
**WIRING DIAGRAM MANUAL**

**91-45-00**

# Beechcraft STARSHIP 1 WIRING DIAGRAM MANUAL



PANEL ASSY - SUBPANEL, CENTER

J697 - 206151-1  
P697 - 206150-1

## CONNECTOR-PANEL ASSY, SUBPANEL, CENTER (J/P697)

**Beechcraft**  
**STARSHIP 1**  
**WIRING DIAGRAM MANUAL**

REFERENCE DESIGNATOR	PART NUMBER	DESCRIPTION	USABLE
			INSTL ON ZONE CODE
		91-45-00	
J697	206151-2	RCPT-PEDESTAL BREAK	242
P697	206150-1	PLUG-PEDESTAL BREAK	242

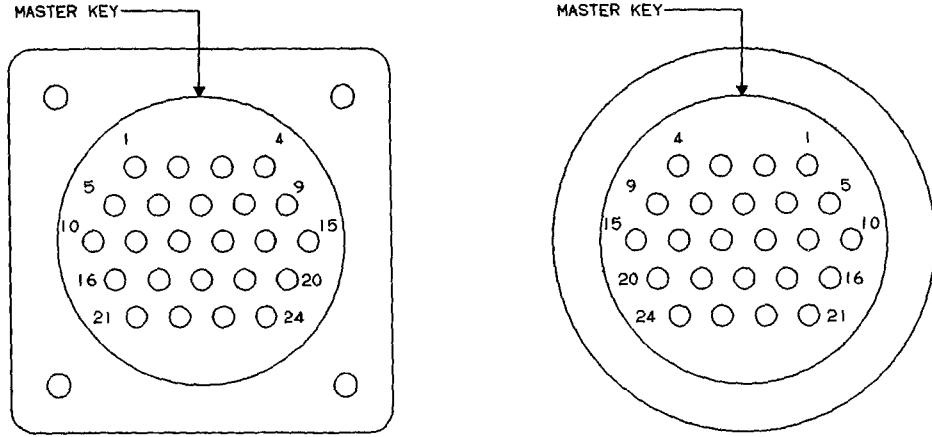
**EFFECTIVITY CODE**



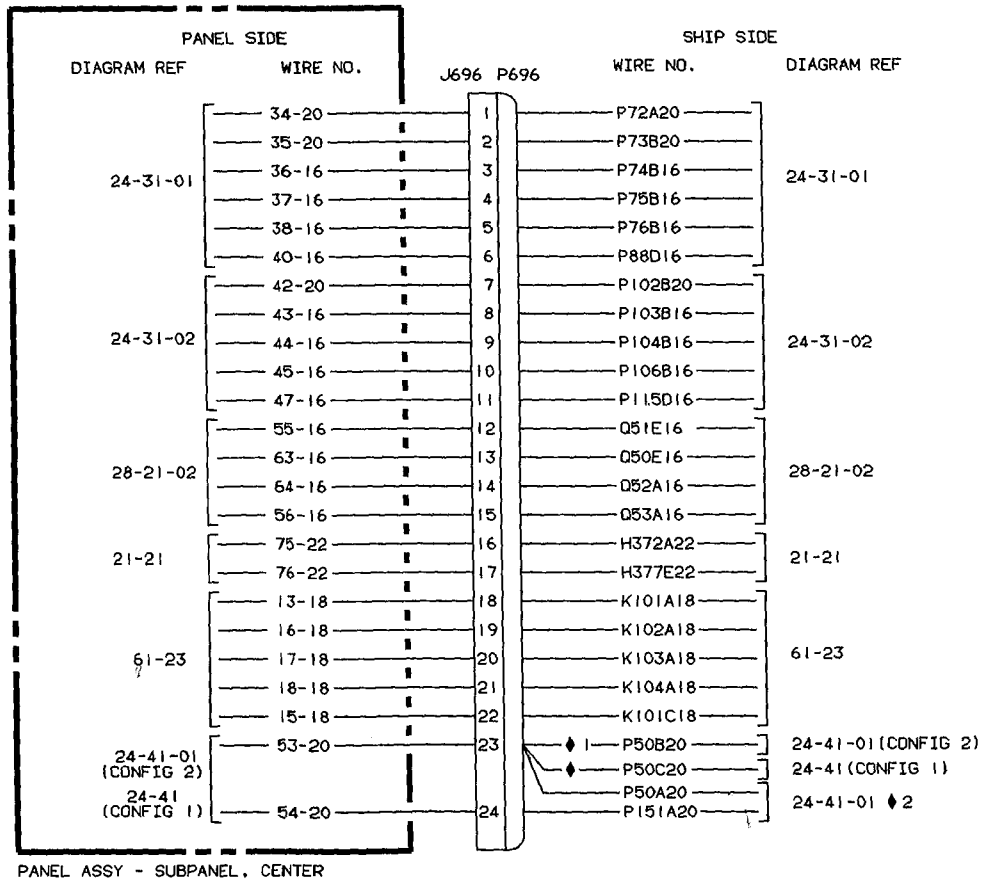
Beechcraft  
STARSHIP 1  
WIRING DIAGRAM MANUAL

**91-46-00**

# Beechcraft STARSHIP 1 WIRING DIAGRAM MANUAL



VIEW FROM BACK OF CONNECTORS



J696 - 206838-2  
P696 - 206837-1

◆2 ON ACFT NC-4 THRU NC-29.  
CROSS-REF IS 24-41.  
ON ACFT NC-30 & AFTER,  
CROSS-REF IS 24-41-01.

◆1 ON ACFT NC-30 & AFTER,  
WIRE P50B20 IS USED.

◆ ON ACFT NC-4 THRU NC-29,  
WIRE P50C20 IS USED.

## CONNECTOR-PANEL ASSY, SUBPANEL, CENTER (J/P696)

**Beechcraft**  
**STARSHIP 1**  
**WIRING DIAGRAM MANUAL**

REFERENCE DESIGNATOR	PART NUMBER	DESCRIPTION	USABLE	
			INSTL ZONE	ON CODE
91-46-00				
J696	206838-2	RCPT-CENTER PEDESTAL SW PANEL ASSY	232	
P696	206837-1	PLUG-PEDESTAL SW PANEL ASSY	232	

**EFFECTIVITY CODE**

**Beechcraft**  
**STARSHIP 1**  
**WIRING DIAGRAM MANUAL**

**91-47-00**

**Configuration 1**

**NC-4 THRU NC-20**



**Beechcraft**  
**STARSHIP 1**  
**WIRING DIAGRAM MANUAL**

REFERENCE DESIGNATOR	PART NUMBER	DESCRIPTION	USABLE	
			INSTL	ON ZONE CODE
<b>91-47-00</b> <b>(Configuration 1)</b>				
J698	207443-1	RCPT-FWD BAGGAGE COMPARTMENT	262	1
P698	207442-1	PLUG-FWD BAGGAGE COMPARTMENT	262	1

**EFFECTIVITY CODE**

1. NC-4 THRU NC-20

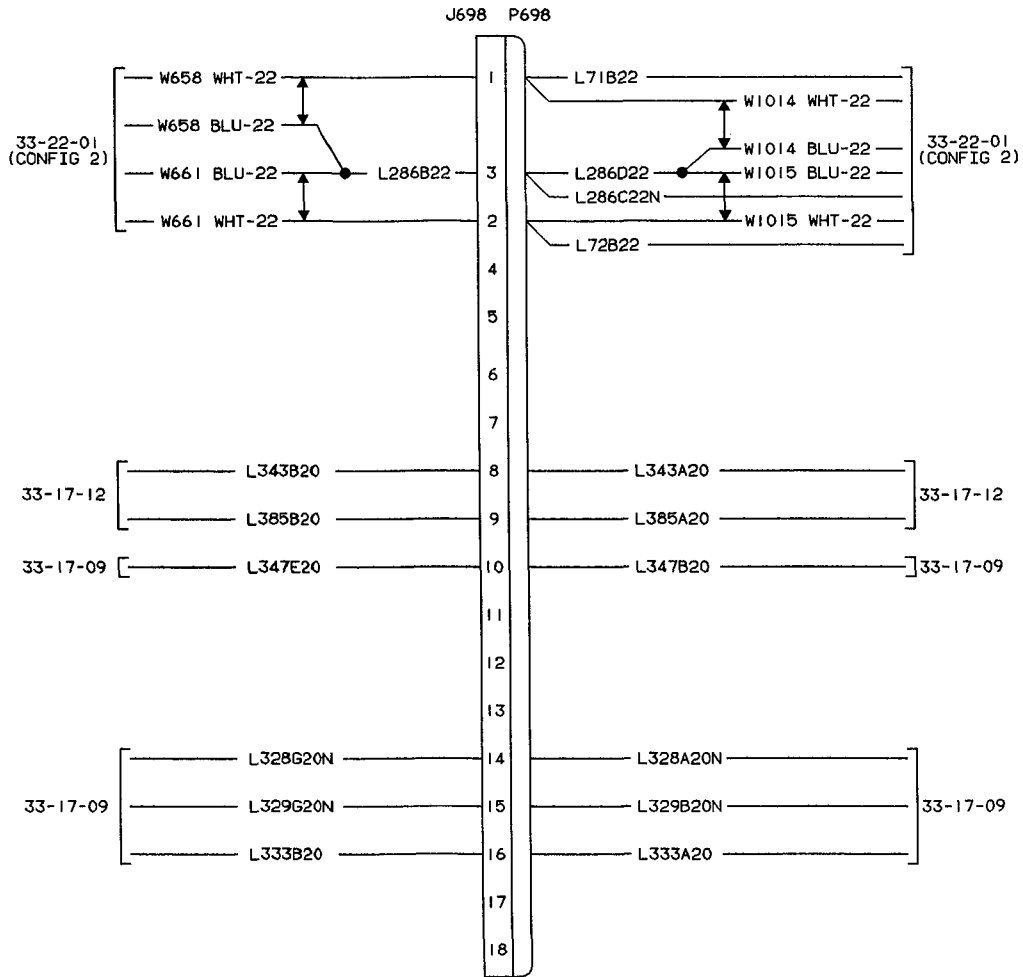
**Beechcraft**  
**STARSHIP 1**  
**WIRING DIAGRAM MANUAL**

# **91-47-00**

## **Configuration 2**

**NC-21 & AFTER**

# Beechcraft STARSHIP 1 WIRING DIAGRAM MANUAL



J698 - 207443-1  
P698 - 207442-1

## CONNECTOR-FORWARD BAGGAGE COMPARTMENT (J/P698) (Configuration 2)



**Beechcraft**  
**STARSHIP 1**  
**WIRING DIAGRAM MANUAL**

REFERENCE DESIGNATOR	PART NUMBER	DESCRIPTION	USABLE	
			INSTL ZONE	ON CODE
91-47-00 (Configuration 2)				
J698	207443-1	RCPT-FWD BAGGAGE COMPARTMENT	262	1
P698	207442-1	PLUG-FWD BAGGAGE COMPARTMENT	262	1

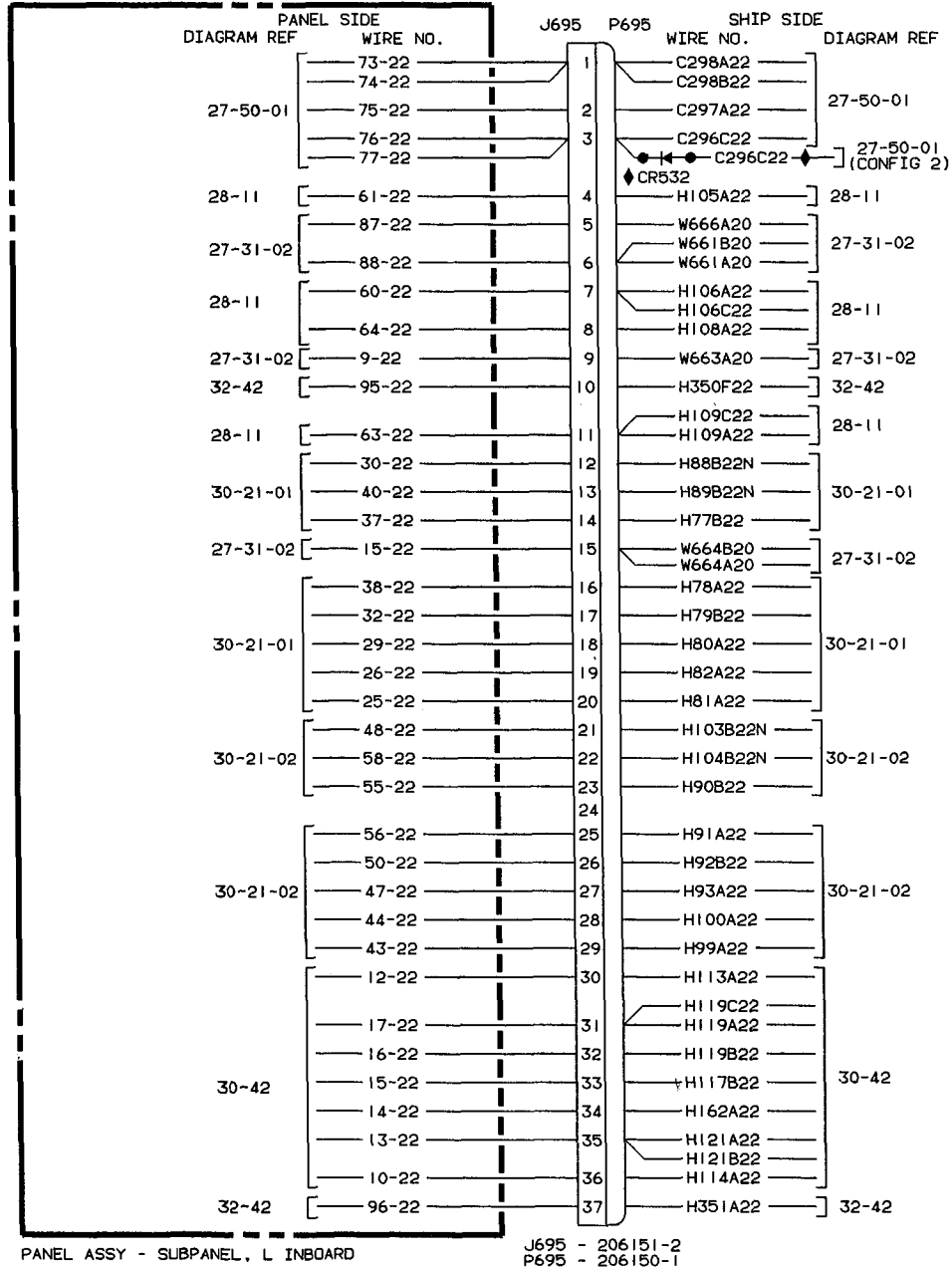
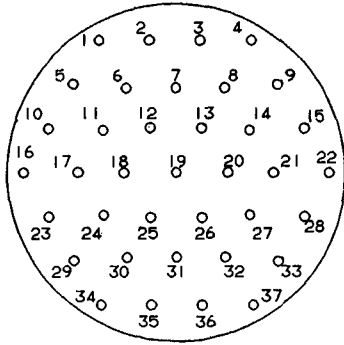
**EFFECTIVITY CODE**

1. NC-21 & AFTER

**Beechcraft**  
**STARSHIP 1**  
**WIRING DIAGRAM MANUAL**

**91-48-00**

# Beechcraft STARSHIP 1 WIRING DIAGRAM MANUAL



◆ ON AIRCRAFT NC-21 & AFTER,  
WIRE C296C22 & DIODE CR532  
ARE USED.

### CONNECTOR-PANEL ASSY, SUBPANEL, L INBOARD (J/P695)

**Beechcraft**  
**STARSHIP 1**  
**WIRING DIAGRAM MANUAL**

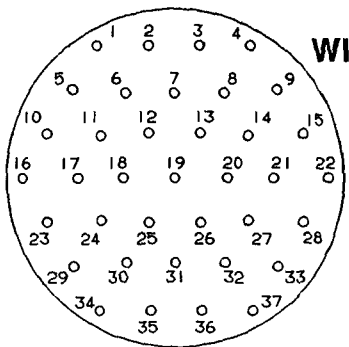
REFERENCE DESIGNATOR	PART NUMBER	DESCRIPTION	USABLE INSTL ON ZONE CODE
<b>91-48-00</b>			
J695	206151-2	RCPT-L INBOARD SUBPANEL ASSY	233
P695	206150-1	PLUG-L INBOARD SUBPANEL ASSY	233

**EFFECTIVITY CODE**

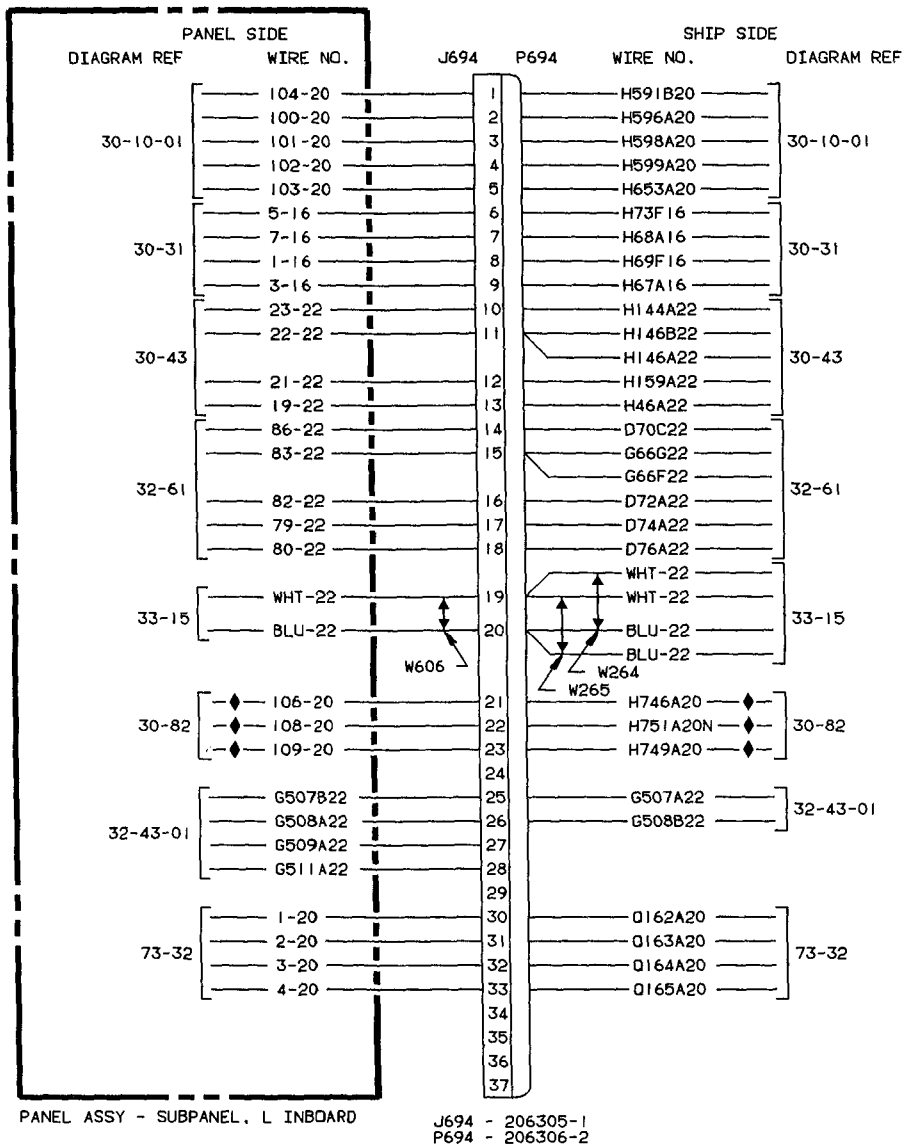
**Beechcraft**  
**STARSHIP 1**  
**WIRING DIAGRAM MANUAL**

**91-49-00**

# Beechcraft STARSHIP 1 WIRING DIAGRAM MANUAL



VIEW FROM BACK OF CONNECTOR



◆ ON ACFT NC-10, NC-44 & AFT,  
WIRES 106-20, 108-20, 109-20,  
H746A20, H749A20 & H751A20  
ARE USED.

### CONNECTOR-PANEL ASSY, SUBPANEL, L INBOARD (J/P694)

Beechcraft  
STARSHIP 1  
WIRING DIAGRAM MANUAL

REFERENCE DESIGNATOR	PART NUMBER	DESCRIPTION	USABLE	
			INSTL	ON ZONE CODE
		91-49-00		
J694	206305-1	RCPT-L INBOARD SUBPANEL ASSY		233
P694	206306-2	RCPT-L INBOARD SUBPANEL ASSY		233

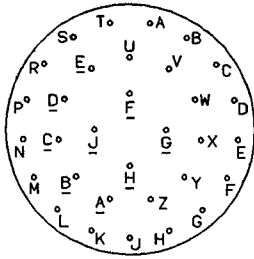
EFFECTIVITY CODE

**Beechcraft**  
**STARSHIP 1**  
**WIRING DIAGRAM MANUAL**

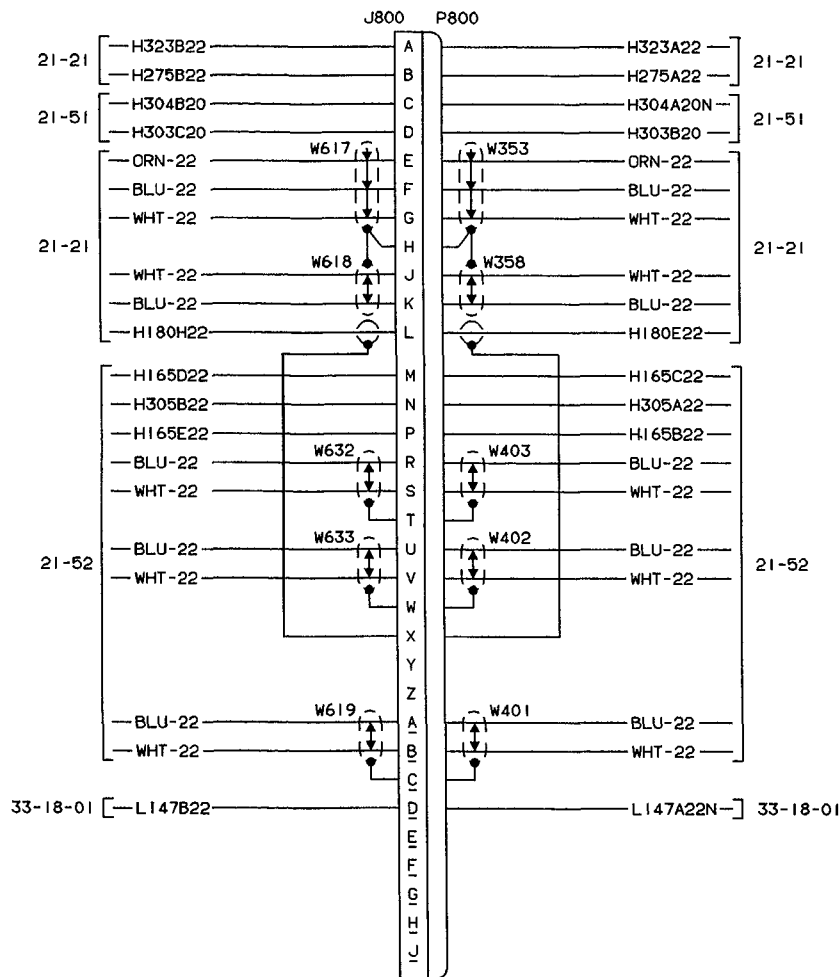
**91-50-00**



# Beechcraft STARSHIP 1 WIRING DIAGRAM MANUAL



18-32  
32 #20'S



J800 - MS3471L18-32P  
P800 - MS3476L18-32S

## CONNECTOR-PRESSURE DOME BREAK (J/P800)

Beechcraft  
STARSHIP 1  
WIRING DIAGRAM MANUAL

REFERENCE DESIGNATOR	PART NUMBER	DESCRIPTION	USABLE
			INSTL ON ZONE CODE
		91-50-00	
J800	MS3471L18-32P	RCPT-PRESSURE DOME BREAK	295
P800	MS3476L18-32S	PLUG-PRESSURE DOME BREAK	295

EFFECTIVITY CODE

**Beechcraft**  
**STARSHIP 1**  
**WIRING DIAGRAM MANUAL**

**91-52-00**



**Beechcraft**  
**STARSHIP 1**  
**WIRING DIAGRAM MANUAL**

REFERENCE DESIGNATOR	PART NUMBER	DESCRIPTION	USABLE	
			INSTL	ON ZONE CODE
		91-52-00		
J111	201037-2	RCPT-R FUSELAGE BREAK #2		172
P111	201345-2	PLUG-R FUSELAGE BREAK #2		172

**EFFECTIVITY CODE**